



Providing Products and Solutions for People Who Work on the Road

Mobile Office Vehicle, Inc. was founded in the summer of 1993 by Charles E. Lippert. Its original focus was on mobile offices permanently installed in mini-vans (MO-V). This unique product gained national attention and was featured in Newsweek Magazine, "This Morning" on CBS, The New York Times and The Wall Street Journal.

In 1995 an inventor from California brought the AutoExec mobile desk idea to the company. A royalty deal was signed and the first redesigned desk was introduced. The product was picked up by such famous catalogs as "The Sharper Image" and "The Herrington Enthusiast". From that single product lead the development of several other models of desks that still today remain a core focus as over 100,000 units have been sold worldwide. From that success other products suited for people who work in non-traditional offices evolved. The MO-V product was phased out and the company was renamed AutoExec, Inc.

Today, AutoExec is a family owned and run business. Our brand is gaining international attention with distribution in several countries and many e-commerce companies. As AutoExec continues to innovate, grow our line of products and develop other markets, we strive to be the very best.

Products and Solutions

The Vehicle Desk: A desk that fits in the front (or rear) seat. Providing an ergonomic work solution that supports the use of a laptop, tablet and phone. Each desk can be accessorized with a 200 Watt power inverter, printer stand, phone mount (large and standard size) and a tablet mount. The desk has hidden storage as well as small cubbies for all of your office essentials.

Active Storage: AutoExec has a full line of business cases and totes as well as nurses bags. All of these products can be accessorized with a tablet case, hanging file holder and a cooler bag. They are ergonomic, comfortable and all of them can be seat-belted into the front or back passenger seat.

Mounting Solutions: AutoExec carries a healthy inventory of RAM Mounting Products. From Vehicle Systems to tablet and phone mounting solutions. Many of our accessories are made by RAM Mounts.

Laptop Disabling: We have partnered with a technology development team that has created a very effective device that blanks out the screen on a laptop while the vehicle is in motion. Creating a very safe and effective solution for the mobile worker.

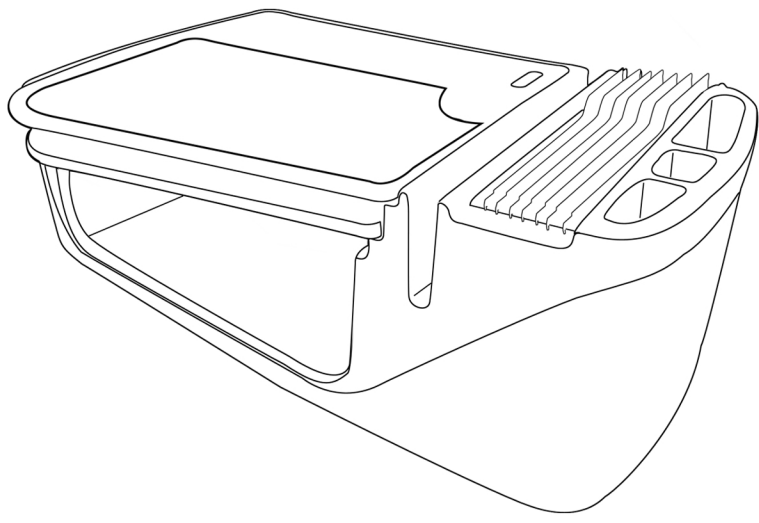
Love Your Office... We Do!



The GripMaster Series (Grip-01 and Grip-02)

The AutoExec Gripmaster was designed to support traditional writing and working with a laptop or tablet. The top surface of this desk is covered with a rubber non-skid material that ensures a laptop, smart-phone or folio won't move around when the vehicle makes sudden stops. The GripMaster-01 features a pull-out writing surface with built-in clipboard, which provides a convenient area for doing paperwork and writing. The GripMaster-02 does not include pull-out-writing surface. The large storage area underneath is great for office supplies, a laptop and other valuables you might want to keep hidden. Additional storage compartments hold small supplies such as pens and pencils. The GripMaster can be accessorized with a power inverter (built-in), cell phone mount, tablet mount and printer stand. This desk model is ideal for those needing to keep mobile equipment accessible during the day as well as needing a convenient area for writing.

Specifications: 25.25"L X 17"W (29"W – with pull out writing surface), 11"H. **Weight:** 13.25 pounds. **Body:** polyethylene
Work surface: rubber non-slip and powder coated MDF wood.

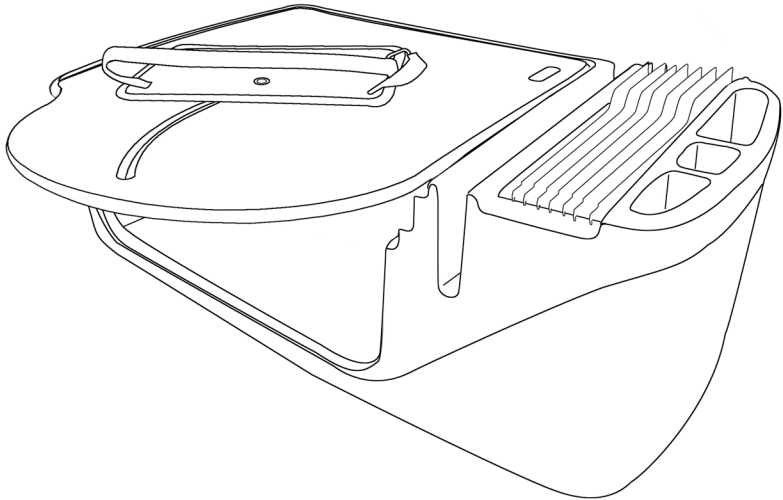


The RoadMaster Series (Road Car and Road Truck)

Our customers have been asking for an AutoExec that truly helped put the laptop in a position that was easy to use and type - the RoadMaster is the solution. The 21" wide top has an adjustable laptop plate so the laptop can be moved to a comfortable position for typing. The laptop plate extends past the edge of the desk by another 3 inches making it 24" of overall reach from the far edge of the desk. The Road Truck offers another 4" of desk surface space (ideal for larger vehicles).

Secure the desk with the seat-belt in your vehicle. Secure the laptop to the laptop plate so it is secure. The RMC Fits most cars, smaller SUV's, and Mini-Vans. **Specifications:** 15.15"L x 21.25" W X 11"H.

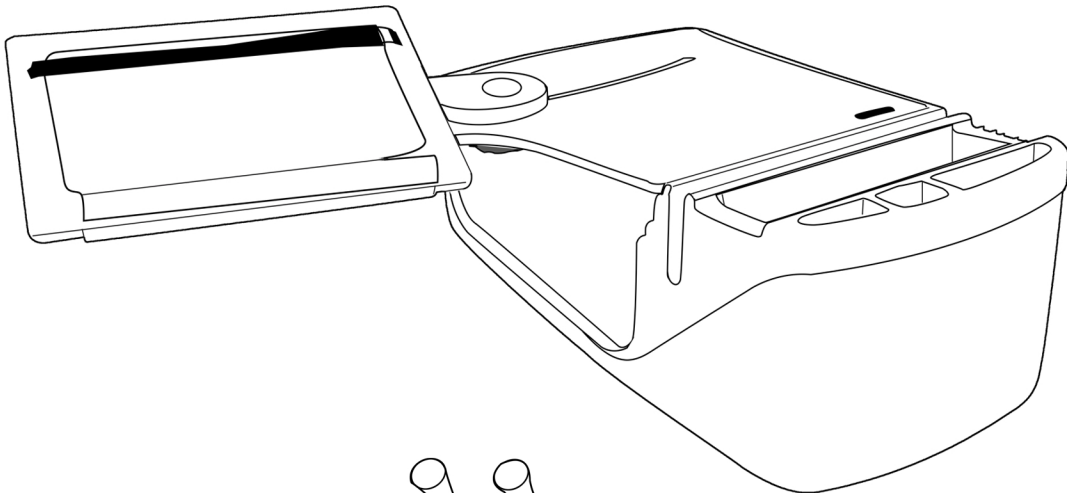
The laptop plate extends the computer another 3" from the edge of the work surface 14 lbs.



Reach Desk Front Seat and Back Seat

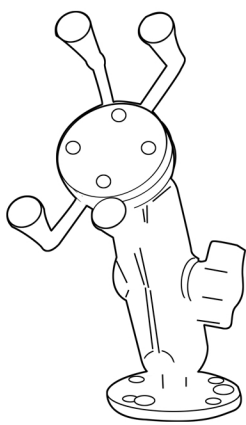
Keeping the road warrior comfortable while working in a vehicle can be a challenge; however, with the Reach Desk Front Seat, all of their problems are solved! This desk is the most ergonomic vehicle desk (car desk) or car organizer available. The Reach Desk Front Seat has a slide out arm that extends the work surface another 12" from the edge of the desk top, providing an extra-long "reach" over to the mobile worker. The tray comes with a non-slip pad and a security strap, providing extra security so the laptop or tablet with keyboard won't move around while working. In addition, the work surface or laptop support tray is mounted on an adjustable ball mount arm; enabling the road warrior the ability to tilt the keyboard so they can type more comfortably. The back seat Reach Desk is ideal for people wanting to create an office in the back seat of the vehicle. An additional support pole that fits into the extension arm and keeps the desk from moving while typing. As it is with all of our vehicle desks, there is a hidden storage space located beneath the desk work surface. Staying organized and securing loose items is important to the mobile worker and securing your office essentials improves productivity and reduces distractions.

Specifications Slide out Arm: 12" **Work Tray:** 12" x 15" **Rubber Pad:** 12.5" x 8.25" **Ergonomic Wrist Support:** 12" x 1" **Desk Surface:** 23" **Desk (end to end):** 25.75" **Desk width:** 14.5" **Weight:** 18 lbs



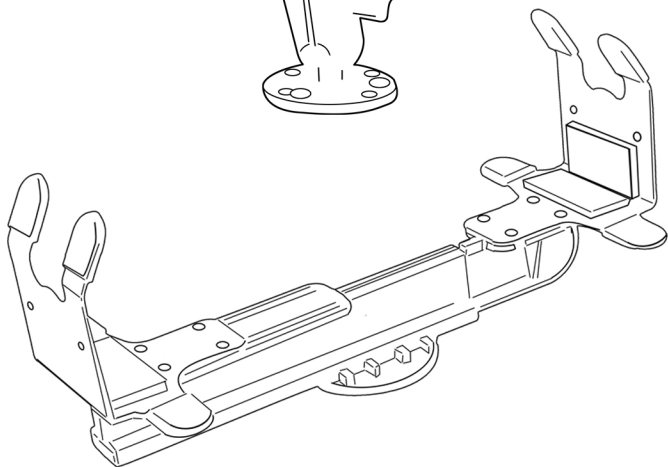
The Universal Smartphone Cradle Holder:

The X-Grip phone mount consists of a spring loaded holder and 1" rubber ball. The rubber ball is compatible with all "B" size single or double arms with 1" sockets. Included are easy access grip knobs, located on both sides of the holder for quick insertion and release of your phone. The X-Grip phone mount also expands and contracts for perfect fit of most cell phones.



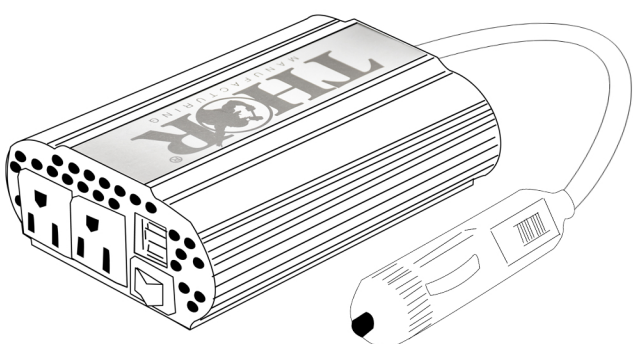
The Printer Stand:

Our printer stand uses a unique, spring loaded mechanism that holds strong, yet provides easy removal for printer storage. At the end of the spring loaded cradle are small clamp plates that are designed to fit cleanly around either edge of the printer. **Holding dimensions for standard size:** Min. Width: 11" Max Width: 14.5" **Holding dimensions for small size:** Min. Width: 14.5". Holding dimensions for small size: Min. Width: 6.625" Max. Width: 11".



Built-In 200 Watt Inverter

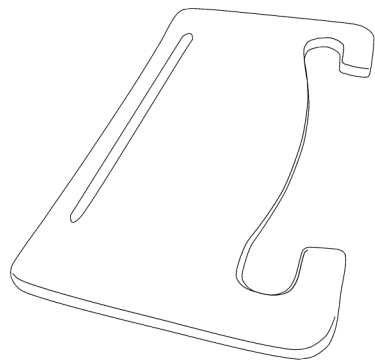
THOR inverters have set the standard with the way you deal with your mobile power needs, providing a reliable source of AC power. A power inverter converts the DC electricity from batteries into everyday AC power. With a THOR inverter you won't need to rely on DC-powered electronics or a generator to have power for tools, electronics, or any AC power needs. Ideal for using and charging most small gaming systems, tablets, mp3 players, mobile phones, and many more USB power management devices. The unit includes a 5 foot cigarette lighter cord for ease of use, and dual USB Ports combined with a Slim profile. 200 Watts continuous power with a 400 Watt peak performance.



Wheelmate

The AutoExec WheelMate attaches easily to your steering wheel by turning the steering wheel upside down and placing on the lower half of the wheel. Convert your steering wheel into an ergonomic work surface that's great for writing, or to use while eating in the car. The lightweight construction makes it easy to carry with you or store in the back seat while not in use. The WheelMate can be used with a small laptop and now comes with a tablet cutout, making it ideal for a more comfortable work solution.

Dimensions: 15" W x 8.5" L x 1" D Weight: 2 lbs. Colors: Grey



The WheelMate Extreme

The AutoExec WheelMate Extreme attaches easily to your steering wheel by turning the steering wheel upside down and placing on the lower half of the wheel. Convert your steering wheel into an ergonomic work surface that's great for using a ten inch tablet, seven inch tablet or smart phone. The WheelMate Extreme is made of a Birch Baltic Natural Wood that looks beautiful and has a smooth surface that is ideal for writing. Just turn the WheelMate Extreme over and you have a great surface for writing and eating meals when you don't have time to leave your vehicle. The lightweight construction of the WheelMate Extreme makes it easy to install and carry with you or store in the back seat while not in use.

There are over seven models of the WheelMate Extreme:

- 10" X-Grip RAM tablet mount (works with the Apple iPad, Google Nexus 10", Sylvania SYTAB10ST, Samsung Galaxy Tab 2, Visual Land Prestige 10", Michley Electronics 10" Android and the XO Vision EGLXL102B 10")
- 7" X-Grip RAM tablet mount (works with the Apple iPad Mini, Samsung Galaxy Tab 3 8 GB, Nabi 2 8, Google Nexus 7", Amazon Kindle Fire HD 10" and the Netbook 7" Tablet)
- Smartphone X-Grip RAM Mount (works with all versions of the Apple iPhone, AT&T Samsung Galaxy Note 3 and Nokia Lumia 521 4G)

Bluetooth Keyboard Accessory

AutoExec has also added a Bluetooth Keyboard that fits nicely onto the WheelMate Extreme, making it an ideal addition to your tablet or smart phone for typing emails or creating reports. The WheelMate Extreme is very comfortable to type on and is the most ergonomic solution when working in the vehicle.

Tablet Mount Accessories

The RAM X-Grip tablet mounts consist of a spring loaded holder and 1" rubber ball. The rubber ball is compatible with all "B" size single or double arms with 1" sockets. Included are easy access grip knobs, located on both sides and the back of the holder for quick insertion and release of your small tablet. The tablet mount expands and contracts for perfect fit of most tablets. Two options are available to accommodate 7" and 10" tablets.

Smartphone Mount Accessory

The X-Grip small technology mount is ideal for cradling your phone, two-way radio or GPS and consists of a spring loaded holder with a 1" rubber ball. The rubber ball is compatible with all "B" size single or double arms with 1" sockets. Included are easy access grip knobs, located on both sides of the holder for quick insertion and release of your device. The X-Grip small technology mount also expands and contracts for perfect fit of your small mobile devices; making this an ideal mount for the mobile worker.

WheelMate Extreme Specifications

Dimensions: 15" W x 11.5" L x .5" D
Weight: 2 lbs.
Colors: Blond Wood Finish
Material: Baltic Birch

The RAM X-Grip 10" Tablet Mount Specifications

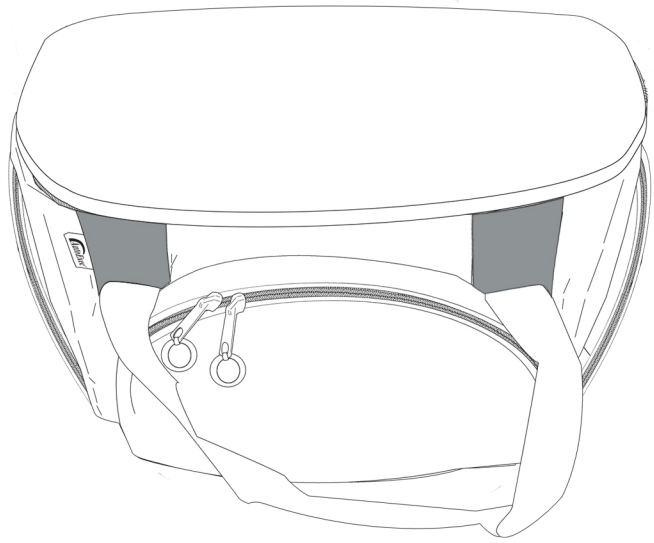
Holder Dimensions: Minimum Width: 6.25" Maximum Width: 8.1"

Turn the steering wheel 180 degrees to install



Proper Installations

Be sure to turn the vehicles steering wheel upside-down to Ensure that the WheelMate is installed properly. This product is not intended to be installed or used while the vehicle is in motion. Please use common sense and drive safely - all eyes on the road!



Business Case

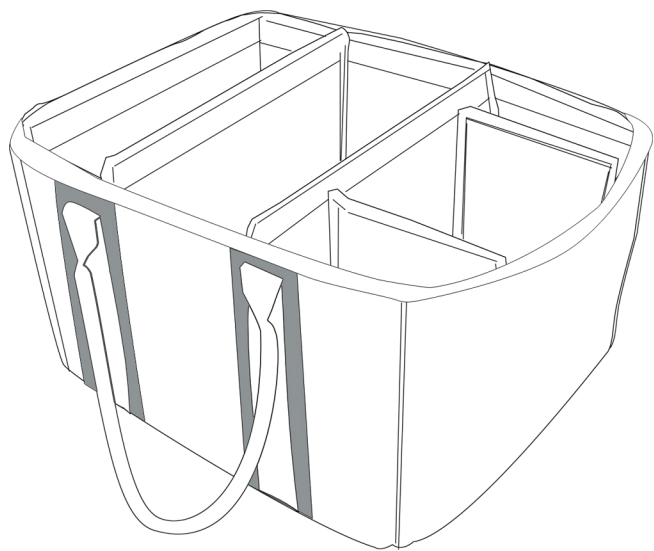
The Business Case is the ideal shoulder bag for the mobile professional. If you work on the road and need a durable bag for your mobile devices like a tablet, smartphone or laptop, this Business Case is the right choice for you. With a durable outer 420D material that has a tight, nonporous surface, this bag is easy to take care of and keep clean. The AutoExec Business Case comes with four outer pockets - one large front outer pocket for personal devices like a smartphone or cell phone, pens, power cords and other office supplies. Two side pockets for smaller items like your cell phone (smart phone) or wallet. The double zippers on all the pockets make it easy to access in a hurry. The front pocket can be branded with a company logo or name to identify the brand and decorate the individuals company. There is an additional back pocket with the option of opening the bottom up to accommodate a luggage handle so you can stack the bag while traveling. Also, with an inner removable padded divider, you can adjust the interior storage space to your liking. The interior compartment can hold a standard laptop, a small to large tablet (with case) and file folders.

Product Specifications:

- Made of 420 Denier black nylon material / lining is 210 Nylon. Two zipper pulls on each pocket to secure with lock (lock not included) and comes with a removable and adjustable shoulder strap.

Dimensions:

- Outside Dimensions: 16" W x 11" H x 8.5" D
- Front Outside Pocket Dimensions: 11.5" W x 9.5" H x 2" D
- Back Outside Pocket Dimensions: 16" W x 8" H x 1" D
- Two Outside / Side Pockets: 8.5" W x 8" H x 1" D
- Interior Dimensions: 14.5" W x 10" H x 6.5" D
- Interior Divider: 14.75" W x 9.75" H x .5" D



File Tote

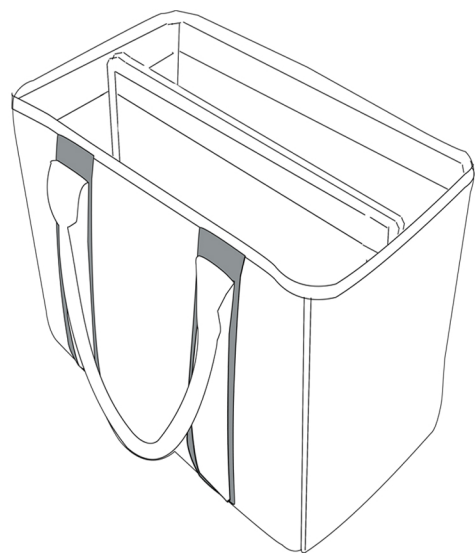
Whether you're a business professional, service provider, or soccer mom; traveling in or out of the vehicle just got much easier while working on the road. The File Tote has an extremely durable outer shell and padded inner walls. The File Tote offers stability and protection for all of your valuable documents, tablet, laptop, books and most anything you can imagine. The interior removable dividers can be adjusted into many different configurations, offering a customized storage solution. The handles are extra-long, providing a more ergonomic solution when lifting out of the vehicle's trunk. The File Tote comes with a removable lid that helps keep documents private and safe from the elements.

Specs:

- 17"L X 14"W X 10.5"H • Dividers: 2 -12.5" X 9", 2 -5.75" X 9" • Durable 600 Denier luggage material. **Colors:** Black with Grey Accent

Features

- Customize Your Storage Space with our Adjustable Dividers
- Self-Standing Feature
- Quality Luggage Constructed with Durable 600 Denier Luggage Material
- Industrial Double Sided Velcro on Every Divider



Mini File Tote

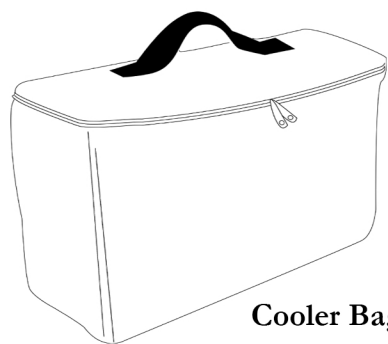
If you work in a vehicle or have a mobile office like the kitchen table or the coffee shop, the AutoExec Mini File Tote is a perfect fit! Like our standard File Tote, the Mini has similar features but at half the size. With an extremely durable outer shell and padded inner walls, the Mini File Tote offers stability and protection for all of your valuable documents, laptops and books or most anything you can imagine. The interior removable dividers can be adjusted into several different configurations, offering a customized storage solution. The Mini File Tote comes with a lid to keep documents private and safe from the elements.

Specs:

- 14"L X 8"W X 10"H
- Dividers: 1 -13"L X 10"H, 2 - 3"L X 10"H
- Durable 600 Denier luggage material

Colors:

- Black with Grey Accent



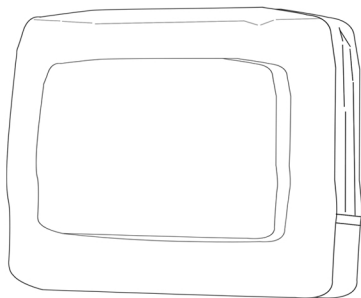
Cooler Bag

Cooler Bag

You spend the entire day in your vehicle working and it's time for lunch. Working in a vehicle is your office, but the vehicle isn't designed to keep your food or other perishables cool. Having a cooler bag will ensure that all of your cold storage stays cool! The cooler bag is made of a 420D black material and is lined with a thick .5" foam and foil that is washable.

Dimensions:

- Outside Dimensions: 13" W x 9.5" H x 6" D
- Inside Dimensions: 12" W x 7.5" H x 5" D



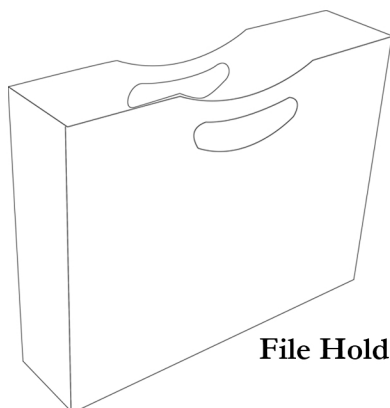
Tablet Case

Tablet Case

Is made of 420D black material and is lined with foam (to protect your device).

Dimensions:

- Outside Dimensions: 11" W x 9.5" H x 2" D
- Inside Dimensions: 10.5" W x 9" H x 1.5" D
- Front Pocket Outside Dimensions: 8.5" W x 6.5" H x 1.5" D
- Front Pocket Inside Dimensions: 8" W x 6" H x 1" D



File Holder

File Holder

The AutoExec File Holder features side handles for portability and holds letter sized hanging folders. It has a durable plastic construction for daily use and the aesthetically pleasing finish blends into most spaces.

Dimensions:

- Outside dimensions: 12" W x 9.5" H x 3" D
- Inside dimensions: 12" W x 9.5" H x 3" D