



# Foundations® Toilet C01913▲

## STANDARD SPECIFICATIONS:

- Vitreous China
- 27 1/16" (687 mm) in length, 17 1/2" (445 mm) in width, 30 13/16" (783 mm) in height.
- Round front bowl with chair height design 16 1/2" (419 mm) to top of the bowl.
- 12" (305 mm) rough-in.
- High efficiency 1.28 gpf (4.8 lpf).
- 3" (76 mm) flush valve.
- 2" (51 mm) fully glazed trapway.
- Includes polished chrome trip lever.

## RECOMMENDED ACCESSORIES:

- RP71196▲ Toilet seat
- 800902▲ Toilet seat
- 801902▲ Toilet seat
- RP71146 Wax ring / bowl-to-floor mounting hardware

## WARRANTY

- Chinaware parts warranted to original consumer purchaser for as long as the original consumer purchaser owns the home in which the toilet was first installed.
- 1 year warranty on mechanical components, fill valve, flush valve, flush lever handle, and mounting bolts will apply.
- The toilet seat & lid will have a 1 year warranty.



## COMPLIES WITH

- ADA / ANSI A117.1
- ASME A112.19.2 / CSA B45.1
- ASME A112.19.5
- EPA WaterSense® High Efficiency Toilet
- CalGreen



Technical Information	
Fixture configuration	Two-piece, round bowl
Water per flush	1.28 gpf (4.8 lpf)
Passageway	2" (51mm)
Water area	8 31/32" X 6 21/32" (228 mm x169 mm)
Water depth from rim	7 7/32" (183 mm)
Seat post hole centers	5 1/2" (140 mm)
Included Components:	
Bowl	C21913▲
Tank Assembly	C11913▲
Tank Cover	RP82448▲
Trip Lever	RP82450▲
Mounting Hardware – Tank to bowl	RP82451

▲ Designate proper finish suffix (-WH for white)

## Installation Notes

- Install this product according to the installation guide.
- This model complies with the American Disabilities Act (ADA) when installed per the requirements of the Accessibility Guidelines, Section 604 Water Closets, of the Act, which includes the installation of an open front seat (not included).
- This model complies with CSA B651 when installed per Clause 4.3.6 of the standard.



55 E. 111th Street, Indianapolis, Indiana 46280  
 350 South Edgeware Road, St. Thomas, Ontario Canada N5P 4L1  
 © 2016 Masco Corporation of Indiana  
 USA / Canada: 1-855-345-1345  
 www.deltatoilet.com

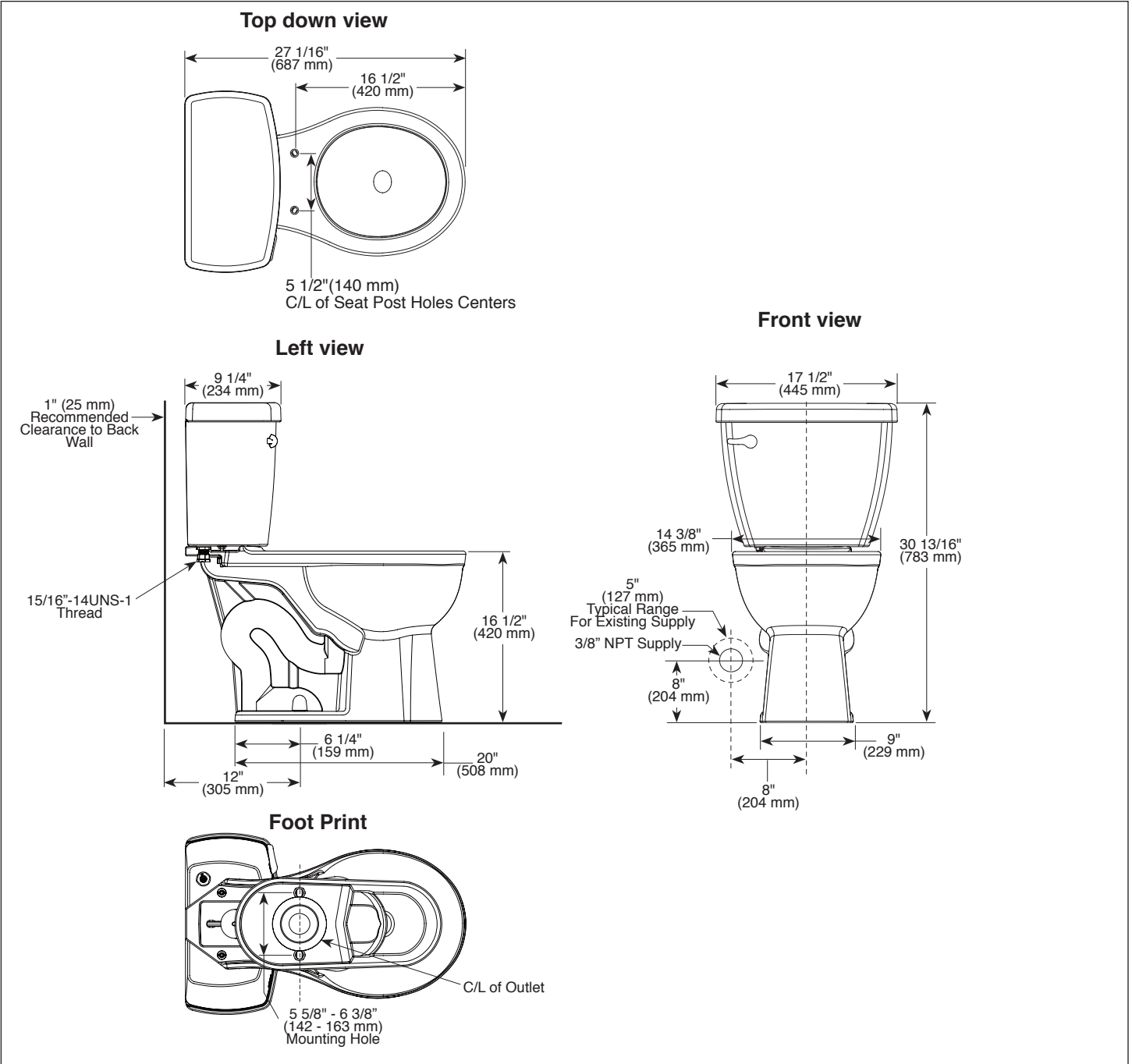


# Foundations<sup>®</sup> Toilet C01913▲



Submitted Model No.: \_\_\_\_\_

Specific Features: \_\_\_\_\_



▲ Designate proper finish suffix (-WH for white)

Delta reserves the right (1) to make changes in specifications and materials, and (2) to change or discontinue models, both without notice or obligation. Dimensions are for reference only. See full-line pricebook or [www.deltatoilet.com](http://www.deltatoilet.com) for finish options and product availability.