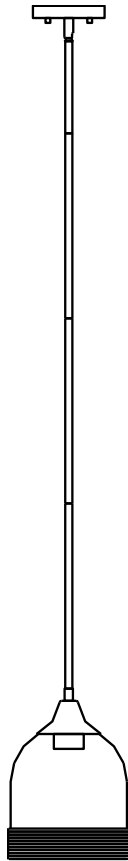


**HOME
DECORATORS
COLLECTION**

Item # 1003981893
1003986850
Model # HDP98770
HDP98770-DISP

USE AND CARE GUIDE

1 LIGHT MINI PENDANT WITH ROPE



Questions, problems, missing parts? Before returning to the store,
call Home Decorators Collection Customer Service
8 a.m. – 7 p.m., EST, Monday – Friday, 9 a.m. – 6 p.m., EST, Saturday

1-800-986-3460

HOMEDEPOT.COM/HOMEDECORATORS

THANK YOU


We appreciate the trust and confidence you have placed in Home Decorators Collection through the purchase of this pendant. We strive to continually create quality products designed to enhance your home. Visit us online to see our full line of products available for your home improvement needs. Thank you for choosing Home Decorators Collection!

Table of Contents

Table of Contents.....	2	Tools required.....	3
Safety Information.....	2	Hardware Included.....	3
Warranty.....	2	Package Contents.....	4
3-Year Limited Warranty.....	2	Assembly.....	5
What is Covered.....	2	Installation.....	5, 6
What is Not Covered.....	2	Care and Cleaning.....	7
Pre-installation.....	3	Troubleshooting.....	7
Planning Installation.....	3		

Safety Information

- Consult a qualified electrician with any electrical questions you may have.

 **DANGER:** Inspect the wire insulation for any cuts, abrasions, or exposed copper that may have occurred during shipping. If there is a defect in the wire, do not continue the assembly process. Please call our Customer Service Team at 1-800-986-3460.

Warranty

3-YEAR LIMITED WARRANTY

WHAT IS COVERED

The manufacturer warrants this lighting fixture to be free from defects in the materials and workmanship for a period of three (3) years from date of purchase. This warranty applies only to the original consumer purchaser and only to products used in normal use. If this product is found to be defective, the manufacturer's only obligation, and your exclusive remedy, is the repair or replacement of the product at the manufacturer's discretion, provided that the product has not been damaged through misuse, abuse, accident, modifications, alterations, neglect or mishandling. This warranty shall not apply to any product that is found to have been improperly installed, assembled, or used in any way not in accordance with the instructions supplied with the product. This warranty shall not apply to a failure of the product as a result of an accident, misuse, abuse, negligence, alteration, faulty installation, or any other failure not relating to faulty material or workmanship.

WHAT IS NOT COVERED

This warranty shall not apply to the finish on any portion of the product due to weathering, as this is considered normal wear. The manufacturer does not warrant and specifically disclaims any warranty, whether expressed or implied, other than the warranty contained herein. The manufacturer specifically disclaims any liability and shall not be liable for any consequential or incidental loss or damage, including but not limited to, any labor or expense costs involved in the replacement or repair of the product.

Contact the Customer Service Team at 1-800-986-3460 or visit www.HomeDepot.com/HomeDecorators.


Pre-installation

PLANNING INSTALLATION

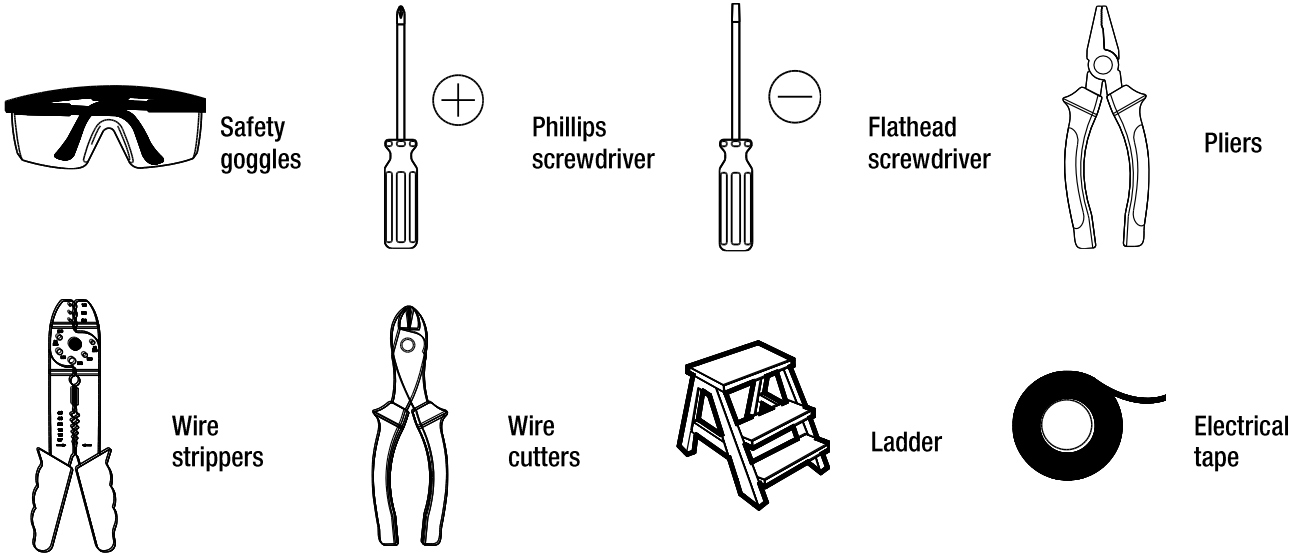
Read all instructions before assembly.

To avoid damaging this product, assemble it on a soft, non-abrasive surface such as carpet or cardboard. Inspect each part for defects that may have occurred during shipping.

Keep your receipt and these instructions for proof of purchase.

 **NOTE:** This pendant requires the use of one 120V, 60HZ, 60-Watt max., medium-base type A bulb (not included). Do not exceed the recommended wattage.

TOOLS REQUIRED



HARDWARE INCLUDED

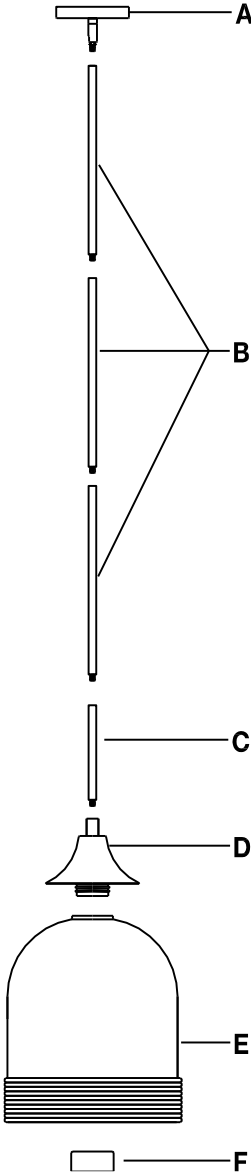
 **NOTE:** Hardware not shown to actual size.



Part	Description	Quantity
AA	Wire nut	3
BB	Mounting plate	1
CC	Outlet box screw	2
DD	Mounting screw	2
EE	Ground screw	1
FF	Small nut	2
GG	Finial	2

Pre-installation (continued)

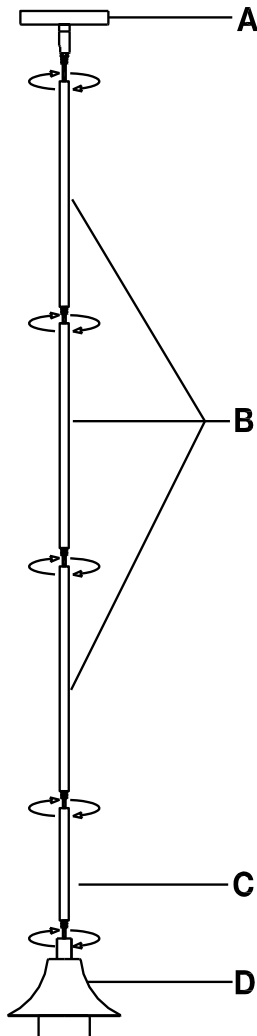
PACKAGE CONTENTS



Part	Description	Quantity
A	Canopy	1
B	12-inch tube	3
C	6-inch tube	1
D	Socket assembly	1
E	Glass shade	1
F	Socket ring	1

1 Assembling the fixture body

- Carefully unpack the fixture, lay out all parts on a clean surface.
- Feed the socket assembly (D) wires up through the 6-inch tube (C) and then the 12-inch tubes (B). The number of tubes you use depends on the length you desire for the installed light fixture. Remove the nipple from the tube if needed.
- Attach the desired number of tubes (B and C) to the socket assembly by twisting the tubes in a clockwise direction.
- Attach the canopy (A) to the end of the tube assembly by twisting in a clockwise direction.

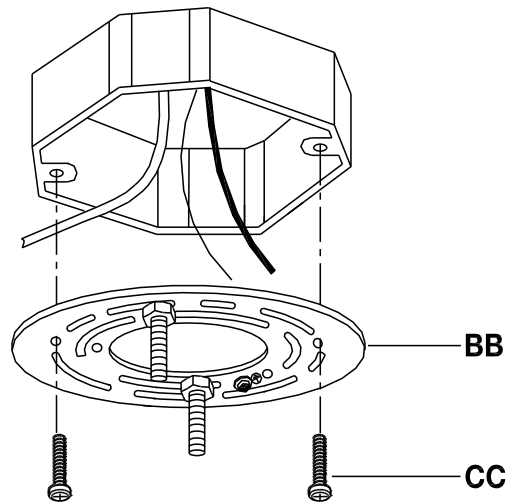


1 Installing the mounting plate



DANGER: Ensure the power is off at the main fuse box prior to beginning installation.

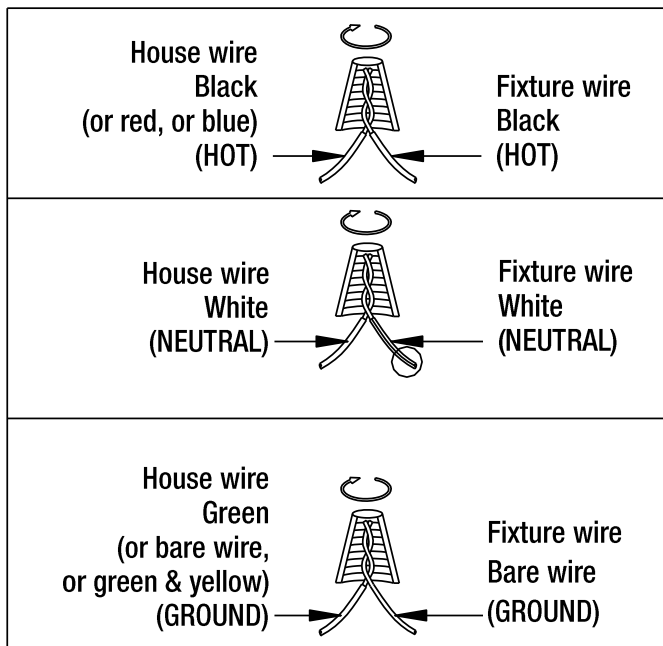
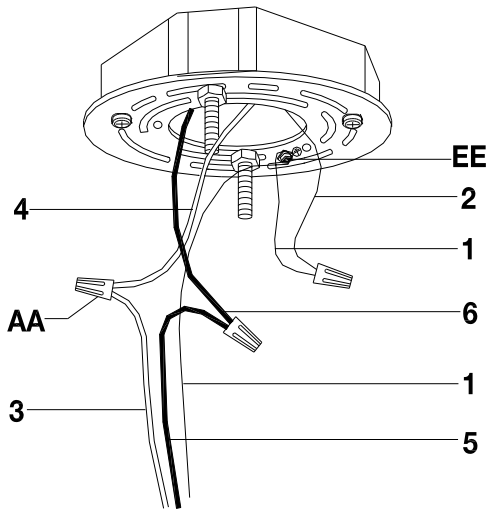
- Turn off the switch at the wall.
- Turn the power off at the main fuse box.
- Attach the mounting plate (BB) to the outlet box using the outlet box screws (CC).



Installation (continued)

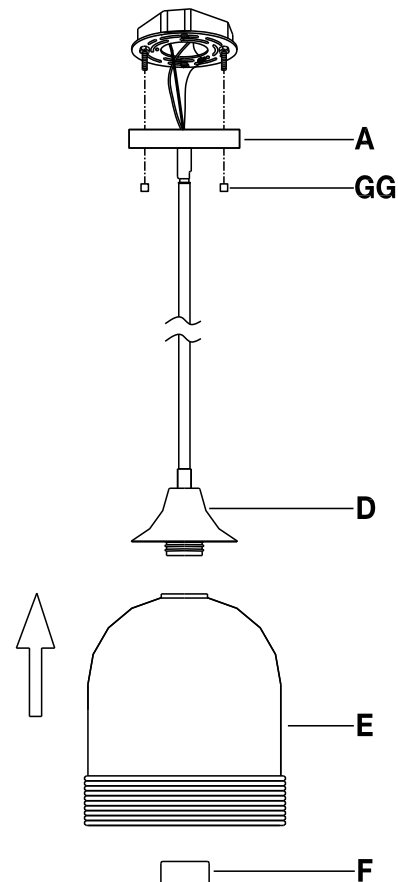
2 Connecting the wires

- Install the fixture bare copper wire (1) under the ground screw (EE) on the mounting plate (BB).
- Connect the fixture bare copper wire (1) to the green (or bare, or green & yellow) supply ground wire (2) in the outlet box using a wire nut (AA).
- Connect the white fixture wire (3) to the white (or ribbed) supply wire (4) in the outlet box using a wire nut (AA).
- Connect the black fixture wire (5) to the black (or red, or blue) supply wire (6) in the outlet box using a wire nut (AA).



3 Installing the fixture and bulb

- Push all excess wires into the outlet box.
- Raise the fixture to the ceiling and secure the canopy (A) in place with finials (GG).
- Remove the socket ring (F) from the socket assembly (D) by unscrewing the socket ring (F).
- Place the glass shade (E) over the socket and secure with the socket ring (F) removed above.
- Prior to installing the bulb, inspect socket for a silica packet. If a packet is present, remove and throw away. Do not expose to children and pets.
- Install the 120V, 60HZ, 60-watt max. medium-base type A bulb (not included) in the socket of the light fixture.



Care and Cleaning

- Clean the light fixture with a soft, dry cloth. Do not use any cleaners with chemicals, solvents, or harsh abrasives.

Troubleshooting

Problem	Possible Cause	Solution
The bulb will not light.	<input type="checkbox"/> The bulb is burned out.	<input type="checkbox"/> Replace the light bulb.
	<input type="checkbox"/> The power is off.	<input type="checkbox"/> Ensure that the power supply is turned on.
	<input type="checkbox"/> There is a faulty wire connection.	<input type="checkbox"/> Check the wiring.
	<input type="checkbox"/> The circuit breaker is off.	<input type="checkbox"/> Ensure that the circuit breaker is set in the on position.
The fuse blows or a circuit breaker trips when the light is turned on.	<input type="checkbox"/> There is an exposed wire.	<input type="checkbox"/> Discontinue use of the light fixture.
	<input type="checkbox"/> There are too many items on one circuit.	<input type="checkbox"/> Contact a qualified electrician or call the Customer Service Team at 1-800-986-3460. <input type="checkbox"/> Unplug other items on the circuit.

HOME DECORATORS COLLECTION

Questions, problems, missing parts? Before returning to the store,
call Home Decorators Collection Customer Service
8 a.m. – 7 p.m., EST, Monday – Friday, 9 a.m. – 6 p.m., EST, Saturday

1-800-986-3460

[HOMEDEPOT.COM/HOMEDECORATORS](https://www.homedepot.com/homedecorators)

Retain this manual for future use.