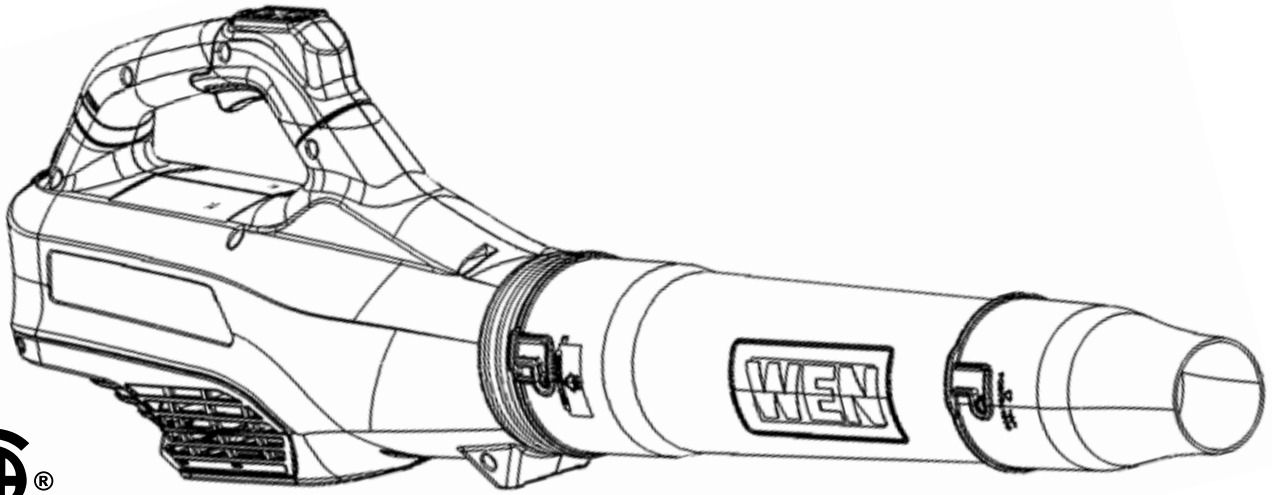




40V MAX LITHIUM ION CORDLESS BLOWER



Model #40410
bit.ly/wenvideo

IMPORTANT:

Your new tool has been engineered and manufactured to WEN's highest standards for dependability, ease of operation, and operator safety. When properly cared for, this product will supply you years of rugged, trouble-free performance. Pay close attention to the rules for safe operation, warnings, and cautions. If you use your tool properly and for intended purpose, you will enjoy years of safe, reliable service.

NEED HELP? CONTACT US!

Have product questions? Need technical support?
Please feel free to contact us at:



800-232-1195 (M-F 8AM-5PM CST)



techsupport@wenproducts.com



WENPRODUCTS.COM



TABLE OF CONTENTS

Technical Data	2
General Safety Rules	3
Specific Rules for the Blower	4
Battery and Charger Instructions	5
Electrical Information	8
Know Your Blower	9
Assembly	9
Operation	10
Maintenance	11
Exploded View and Parts List	12
Storage	14
Warranty	15

TECHNICAL DATA

Model Number:	40410
Motor:	40V Brushless Motor
Speed:	92, 114, or 124 MPH
Air Flow:	370, 450, or 480 CFM
Battery:	Model 40401 - 40V Max Lithium Ion, 2 AH
Charger Input:	Model 40400 - 120V AC, 60Hz, 100W
Charger Output:	Model 40400 - 42V DC, 2A
Weight:	8.5 lb

WEN plans to continue to add more and more items to our 40V line. For an up-to-date list of the 40V cordless tools compatible with the included battery and charger, visit wenproducts.com and search model number 40401. In the battery's description, there will be a list of current products that this battery can be used with.

GENERAL SAFETY RULES

Safety is a combination of common sense, staying alert and knowing how your item works. **SAVE THESE SAFETY INSTRUCTIONS.**



WARNING: To avoid mistakes and serious injury, do not plug in your tool until the following steps have been read and understood.

1. **READ** and become familiar with this entire instruction manual. **LEARN** the tool's applications, limitations, and possible hazards.
2. **AVOID DANGEROUS CONDITIONS.** Do not use in wet or damp areas or expose them to rain. Keep work areas well lit.
3. **DO NOT** use in the presence of flammable liquids or gases.
4. **DO NOT** direct the tool at any bystanders.
5. **KEEP BYSTANDERS AT A SAFE DISTANCE** from the work area, especially when the tool is operating. **NEVER** allow children or pets near the tool.
6. **DO NOT FORCE THE TOOL** to do a job for which it was not designed.
7. **DRESS FOR SAFETY.** Do not wear loose clothing, gloves, neckties, or jewelry (rings, watches, etc.) when operating the tool. Inappropriate clothing and items can get caught in moving parts and draw you in. **ALWAYS** wear non-slip footwear and tie back long hair.
8. **WEAR A FACE MASK OR DUST MASK** if working in dusty or dirty conditions.
9. **ALWAYS** remove the battery from the tool when making adjustments, changing parts, cleaning, or working on the tool.
10. **AVOID ACCIDENTAL START-UPS.** Make sure the power switch is in the **OFF** position before inserting the battery.
11. **REMOVE ADJUSTMENT TOOLS.** Always make sure all adjustment tools are removed from the tool before turning it on.
12. **NEVER LEAVE A RUNNING TOOL UNATTENDED.** Turn the power switch **OFF**. Do not leave the tool until it has come to a complete stop.
13. **NEVER STAND ON A TOOL.** Serious injury could result if the tool tips or is accidentally hit. **DO NOT** store anything above or near the tool.
14. **DO NOT OVERREACH.** Keep proper footing and balance at all times. Wear oil-resistant rubber-soled footwear. Keep the floor clear of oil, scrap, and other debris.
15. **WEAR NECESSARY** hand and hearing protection. Wear no-slip heavy duty work gloves and hearing protection in order to prevent injury.

GENERAL SAFETY RULES

16. **MAINTAIN TOOLS PROPERLY. ALWAYS** keep tools clean and in good working order. Follow instructions for lubricating and changing accessories.

17. **CHECK FOR DAMAGED PARTS.** Check for alignment of moving parts, jamming, breakage, improper mounting, or any other conditions that may affect the tool's operation. Any part that is damaged should be properly repaired or replaced before use.

19. **DO NOT** operate the tool if you are under the influence of drugs, alcohol, or medication that may affect your ability to properly use the tool.

20. **USE SAFETY GOGGLES AT ALL TIMES** that comply with ANSI Z87.1. Normal safety glasses only have impact resistant lenses and are not designed for safety. Wear a face or dust mask when working in a dusty environment. Use ear protection such as plugs or muffs during extended periods of operation.

SPECIFIC RULES FOR THE BLOWER

FOLLOW THESE RULES WHILE OPERATING THE BLOWER.



READ AND UNDERSTAND ALL INSTRUCTIONS. Failure to follow all instructions listed below may result in electric shock, fire, and/or serious personal injury.

1. Walk. Do not run during operation.
2. Verify that the blower is not in contact with anything before turning it on.
3. Do not attempt to use the blower on a roof or on any steeply inclined slippery surface.
4. Do not operate the blower if any safety protective devices are not in place.
5. Do not operate the blower near glass enclosures, automobiles, trucks, window wells, drop-offs, etc. without properly adjusting the aim of the discharge. Keep children and pets away from the work area.
6. Do not force or overload the blower. The blower will perform better and safer when it is used at the rate that it was designed to work at.
7. Use the blower in daylight or in good artificial light.
8. Use this blower only for the purposes it was designed.
9. Do not aim the blower at any people or animals.
10. Do not attempt to fix the blower while the motor is running.
11. Remove the battery during transportation and during storage.

SPECIFIC RULES FOR THE BLOWER

12. If the blower starts to vibrate abnormally, stop the blower immediately and attempt to determine the cause. Vibration is generally an indication of danger.
13. Stop the motor and remove the battery pack whenever the operator is not in the operating position, before making any repairs, adjustments, or inspections.
14. Only use identical replacement parts and accessories for this blower. The use of nonidentical parts or accessories could lead to serious injury to the user or damage the blower, and will void the warranty.
15. Store Blowers indoors - when not in use, blowers should be stored indoors in dry, locked-up place - out of reach of children.



Caution: Use only WEN approved replacement battery and charger, other battery and charger may cause injury or damage the blower and battery. Use only WEN 40V Max Lithium Ion Battery (2 Ah Item: 40401) and the WEN 40V Max Lithium Ion Battery Charger (Item: 40400).

BATTERY & CHARGER INSTRUCTIONS

Despite all the safety precautions, caution must always be exercised when handling batteries. The following points must be obeyed at all times to ensure safe use. Safe use can only be guaranteed if undamaged cells are used. Incorrect handling of the battery pack can cause cell damage.

- **Avoid dangerous environments** - Do not charge the battery pack in rain, snow or in damp or wet locations. Do not use the battery pack or charger in the presence of explosive atmospheres (gaseous fumes, dust or flammable materials) because sparks may be generated when inserting or removing the battery pack, which could lead to a fire.

- **Charge in a well-ventilated area** - Do not block the charger vents. Keep them clear to allow for proper ventilation. Do not allow smoking or open flames near a charging battery pack. Vented gases may explode. NOTE: The safe temperature range for the battery charging is -4°F to 113°F. Do not charge the battery outside in freezing weather; charge it at room temperature.

- **Maintain charger cord** - When unplugging the charger, pull the plug, not the cord, from the receptacle to reduce the risk of damage to the electrical plug and cord. Never carry the charger by its cord or yank it by the cord to disconnect it from the receptacle. Keep the cord away from heat, oil and sharp edges. Make sure the cord will not be stepped on, tripped over or subjected to damage or stress when the charger is in use. Do not use the charger with a damaged cord or plug. Replace a damaged charger immediately.

- **Do not use an extension cord unless it is absolutely necessary** - Using the wrong, damaged or improperly wired extension cord poses a risk of fire and electric shock. If an extension cord must be used, plug the charger into a properly wired 16 gauge or larger extension cord with the female plug matching the male plug on the charger. Make sure that the extension cord is in good electrical condition.

- **Charger is rated for 120 volt AC only** - The charger must be plugged into an appropriate receptacle.

BATTERY & CHARGER INSTRUCTIONS

- **Use only recommended attachments** - Use of an attachment not recommended or sold by WEN Products may result in risk of fire, electric shock or personal injury.

- **Unplug charger when not in use** - Make sure to remove battery packs from unplugged chargers.



WARNING! To reduce the risk of electric shock, always unplug the charger before performing any cleaning or maintenance. Do not allow water to flow into the charger. Use a Ground Fault Circuit Interrupter (GFCI) to reduce shock hazards.

- **Do not burn or incinerate battery packs** - Battery packs may explode, causing personal injury or damage. Toxic fumes and materials are created when battery packs are burned.

- **Do not crush, drop or damage battery packs** - Do not use the battery pack or charger if they have sustained a sharp blow, been dropped, run over or have been damaged in any way (i.e. pierced with a nail, hit with a hammer, stepped on, etc.).

- **Do not disassemble** - Incorrect reassembly may pose a serious risk of electric shock, fire or exposure to toxic battery chemicals. If the battery or charger are damaged, call WEN customer service at 1-800-232-1195 for assistance.

- **Battery chemicals cause serious burns** - Never let a damaged battery pack contact the skin, eyes or mouth. If a damaged battery pack leaks battery chemicals, use rubber or neoprene gloves to safely dispose of it. If skin is exposed to battery fluids, wash the affected area with soap and water and rinse with vinegar. If eyes are exposed to battery chemicals, immediately flush with water for 20 minutes and seek medical attention. Remove and dispose of contaminated clothing.

- **Do not short circuit** - A battery pack will short circuit if a metal object makes a connection between the positive and negative contacts on the battery pack. Do not place a battery pack near anything that may cause a short circuit, such as paper clips, coins, keys, screws, nails and other metallic objects. A short-circuited battery pack poses a risk of fire and severe personal injury.

- **Store your battery pack and charger in a cool, dry place** - Do not store the battery pack or charger where temperatures may exceed 104 °F, such as in direct sunlight or inside a vehicle or metal building during the summer.

ABOUT THE BATTERY:

1. The battery pack supplied with your cordless tool is only partially charged. The battery pack has to be charged completely before you use the tool for the first time.
2. For optimum battery performance, avoid low discharge cycles by charging the battery pack frequently.
3. Lithium-ion batteries are subject to a natural aging process. The battery pack must be replaced at the latest when its capacity falls to just 80% of its capacity when new. Weakened cells in an aged battery pack are no longer capable of meeting the high power requirements needed for the proper operation of your tool, and therefore pose a safety risk.

BATTERY & CHARGER INSTRUCTIONS

4. Do not throw battery packs into an open fire as this poses a risk of explosion. Do not ignite the battery pack or expose it to fire.
5. Do not exhaustively discharge batteries. Exhaustive discharge will damage the battery cells. The most common cause of exhaustive discharge is lengthy storage or non-use of partially discharged batteries. Stop working as soon as the performance of the battery falls noticeably or the electronic protection system triggers. Place the battery pack in storage only after it has been fully charged.
6. Protect batteries and the tool from overloads. Overloads will quickly result in overheating and cell damage inside the battery housing even if this overheating is not apparent externally.
7. Avoid damage and shocks. Immediately replace batteries that have been dropped from a height of more than one meter or those that have been exposed to violent shocks, even if the housing of the battery pack appears to be undamaged. The battery cells inside the battery may have suffered serious damage. In such instances, please read the waste disposal information for proper battery disposal.
8. If the battery pack suffers overloading and overheating, the integrated protective cutoff will switch off the equipment for safety reasons.
9. Use only original battery packs. The use of other batteries poses a fire risk and may result in injuries or an explosion.

CHARGER

Protect the battery charger and its cord from damage. Keep the charger and its cord away from heat, oil and sharp edges. Electrical plugs must match the outlet. Never modify the plug in any way. Do not use any adapter plugs with grounded appliances. Unmodified plugs and matching outlets will reduce the risk of electric shock.

Keep the battery charger, battery pack(s) and the cordless tool out of the reach of children. Do not use the supplied battery charger to charge other cordless tools. During periods of heavy use, the battery pack will become warm. Allow the battery pack to cool to room temperature before inserting it into the charger to recharge.

Do not overcharge batteries. Do not exceed the maximum charging times. These charging times only apply to discharged batteries. Frequent insertion of a charged or partially charged battery pack will result in overcharging and cell damage. Do not leave battery in the charger for days on end. Never use or charge a battery if you suspect that it has been more than 12 months since the last time they were charged. There is a high probability that the battery pack has already suffered dangerous damage (exhaustive discharge). Do not use battery that have been exposed to heat during the charging process, as the battery cells may have suffered dangerous damage. Do not use battery that have suffered curvature or deformation during the charging process or those that exhibit other atypical symptoms (gassing, hissing, cracking, etc.)



Warning: Waste electrical products should not be disposed of with household waste. Please recycle where facilities exist. Check with your local authority or retailer for recycling advice.

ELECTRICAL INFORMATION

GROUNDING INSTRUCTIONS (For charger)

IN THE EVENT OF A MALFUNCTION OR BREAKDOWN, grounding provides the path of least resistance for an electric current and reduces the risk of electric shock. This tool is equipped with an electric cord that has an equipment grounding conductor and a grounding plug. The plug **MUST** be plugged into a matching outlet that is properly installed and grounded in accordance with **ALL** local codes and ordinances.

DO NOT MODIFY THE PLUG PROVIDED. If it will not fit the outlet, have the proper outlet installed by a licensed electrician.

IMPROPER CONNECTION of the equipment grounding conductor can result in electric shock. The conductor with the green insulation (with or without yellow stripes) is the equipment grounding conductor. If repair or replacement of the electric cord or plug is necessary, **DO NOT** connect the equipment grounding conductor to a live terminal.

CHECK with a licensed electrician or service personnel if you do not completely understand the grounding instructions or whether the tool is properly grounded.

CAUTION: In all cases, make certain the outlet in question is properly grounded. If you are not sure, have a licensed electrician check the outlet.



WARNING: This tool is for indoor use only. Do not expose to rain or use in damp locations.
Guidelines for using extension cords

Make sure your extension cord is in good condition. When using an extension cord, be sure to use one heavy enough to carry the current your product will draw. An undersized cord will cause a drop in line voltage resulting in loss of power and overheating. The table below shows the correct size to be used according to cord length and nameplate ampere rating. When in doubt, use a heavier cord. The smaller the gauge number, the heavier the cord.

AMPERAGE	REQUIRED GAUGE FOR EXTENSION CORDS			
	25 ft.	50 ft.	100 ft.	150 ft.
2.5 A	18 gauge	16 gauge	14 gauge	12 gauge

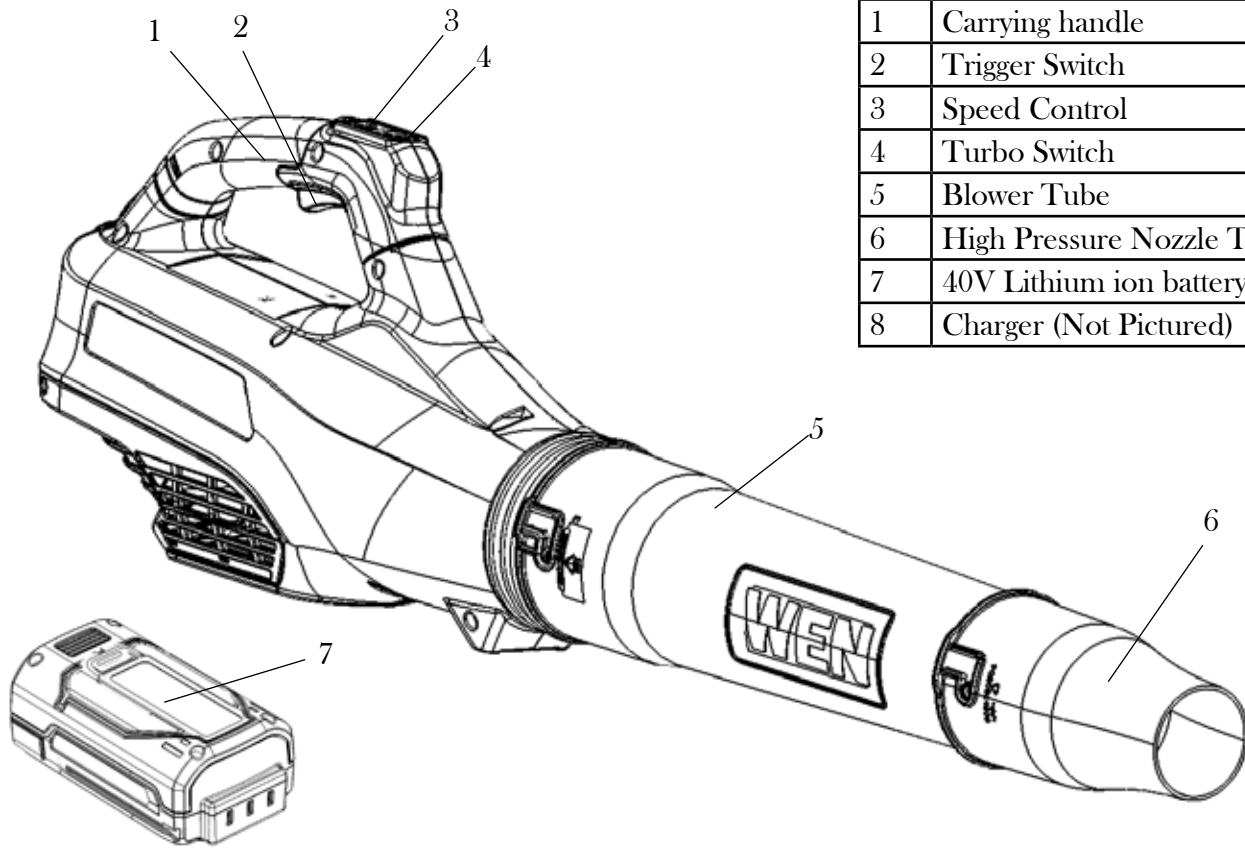
Make sure your extension cord is properly wired and in good condition. Always replace a damaged extension cord or have it repaired by a qualified person before using it.

Protect your extension cords from sharp objects, excessive heat and damp/wet areas.

Use a separate electrical circuit for your tools. This circuit must not be less than a #12 wire and should be protected with a 15 A time-delayed fuse. Before connecting the motor to the power line, make sure the switch is in the **OFF** position and the electric current is rated the same as the current stamped on the motor nameplate. Running at a lower voltage will damage the motor.

WARNING: This tool must be grounded while in use to protect the operator from electric shock.

KNOW YOUR BLOWER

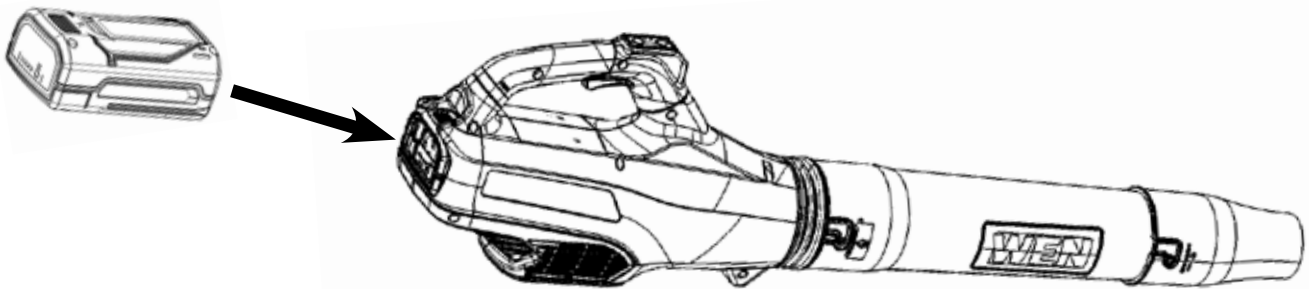


1	Carrying handle
2	Trigger Switch
3	Speed Control
4	Turbo Switch
5	Blower Tube
6	High Pressure Nozzle Tip
7	40V Lithium ion battery
8	Charger (Not Pictured)

ASSEMBLY

ATTACH /REMOVE THE BATTERY

Note: The battery is not fully charged at the time of purchase. Before using the blower for the first time, place the battery in the charger and charge it fully.



To insert the battery, slide it into the back of the blower until a “click” is heard. Make sure the battery is fully inserted and latched into position.

To remove the battery, press the two release buttons on either side of the battery and slide the battery out of the blower. This is the same way to insert and remove the battery from the charging station.

OPERATION

Caution: Always wear safety glasses. Wear a filter mask if the operation is dusty. Use of proper gloves and substantial footwear is recommended when working outdoors.

Caution: Use the blower only in daylight.

STARTING / STOPPING THE BLOWER

To start the blower, squeeze the trigger switch. To stop, release the switch trigger.

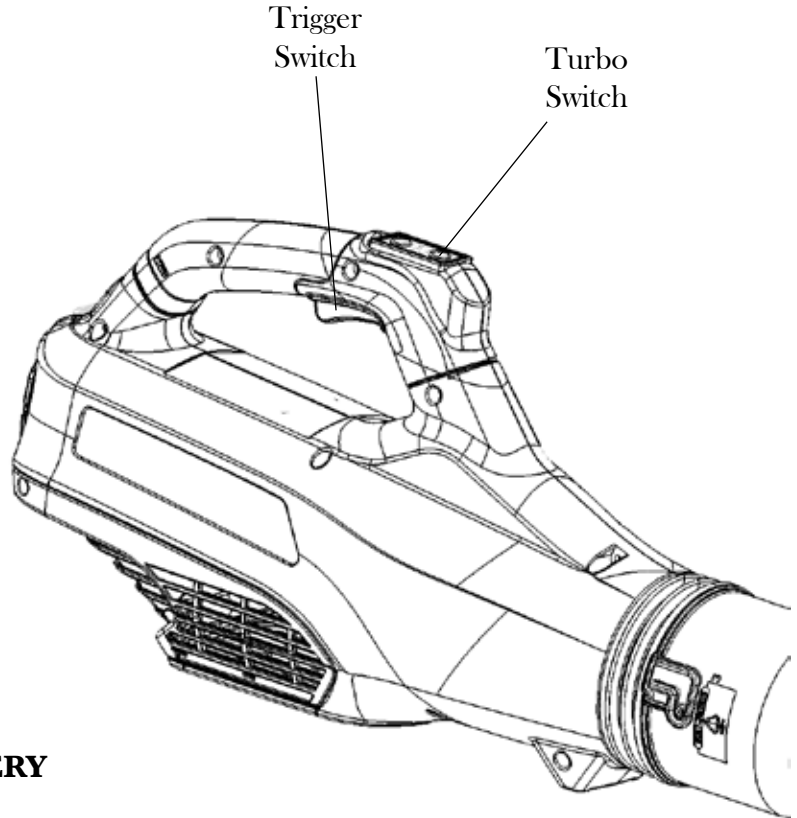
There are two speed buttons on top of the 40V blower. The bottom button moves the blower into **HIGH SPEED** (114 MPH). The top button moves the blower into **TURBO SPEED** (124 MPH).

Pressing either button once will engage said speed. Pressing it a second time will disengage the speed, bringing the blower back to its original low speed (92 MPH).

NOTE: Turbo speed has been designed to auto-shut off after 35 seconds, reverting the blower back to its low speed.

REMOVING AND CHARGING THE BATTERY

1. Press the lock button on the top center of the battery to slide it out of the blower.
2. Place the battery pack into the charger by sliding it into a locked position until it clicks
3. When the green light is flashing, the battery is charging. If the green light is no longer flashing, the battery is fully charged.



MAINTENANCE

WARNING: In order to avoid personal injury and the risk of fire and electric shock, remove the battery pack before adjusting, inspecting, or cleaning the blower.

CLEANING

1. Brush or blow dust and debris out of the air vents using compressed air or a vacuum. Keep the air vents free of obstructions, sawdust, and wood chips. Do not spray, wash, or immerse the air vents in water.
2. Wipe off the housing and the plastic components using a moist, soft cloth. Do not use strong solvents or detergents on the plastic housing or plastic components. Certain household cleaners may cause damage, and may cause a shock hazard.

BATTERY

1. Make sure the battery is fully charged before storage in order to maximize the life of the battery.
2. Do not store the battery pack on the tool.
3. After charging, the battery pack may be stored in the charger, as long as the charger is not plugged in.

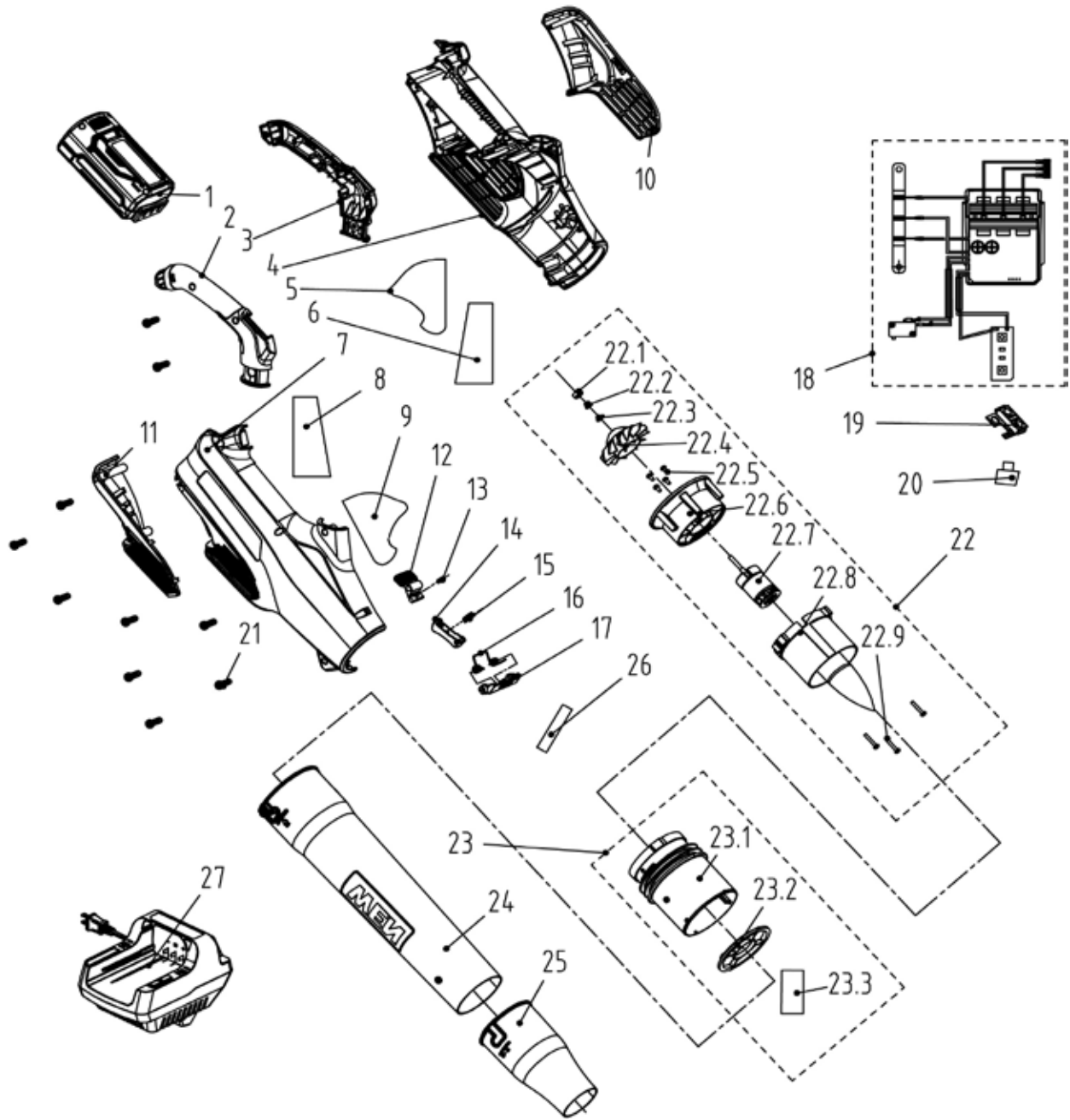
CHARGER

1. Keep the charger clean and clear of debris. Do not allow foreign material to get into the recessed cavity or onto the contacts. Wipe the charger clean with a dry cloth. Do not use solvents or water, and do not place the charger in wet conditions.
2. Unplug the charger when there is no battery in it.
3. Fully charge the battery before placing it in storage.
4. Store the charger at normal room temperature. Do not store it in excessive heat. Do not use the charger in direct sunlight or in damp conditions. Do not charge outside. Recharge at room temperature. If the battery is hot, allow it to cool down before recharging.

EXPLODED VIEW & PARTS LIST

No.	Part Number	Description	Qty
1	40410-001	Battery	1
2	40410-002	Right Handle	1
3	40410-003	Left Handle	1
4	40410-004	Left Housing	1
5	40410-005	Noise Insulator 1	1
6	40410-006	Noise Insulator 2	1
7	40410-007	Right Housing	1
8	40410-008	Noise Insulator 2	1
9	40410-009	Noise Insulator 1	1
10	40410-010	Left Air Inlet	1
11	40410-011	Right Air Inlet	1
12	40410-012	Battery Latch	1
13	40410-013	Spring	1
14	40410-014	Switch	1
15	40410-015	Spring	1
16	40410-016	Reset Spring	1
17	40410-017	Spring Support	1
18	40410-018	Electrical Components	1
19	40410-019	Speed Control	1
20	40410-020	Button	2
21	40410-021	Screw	10
22	40410-022	Fan Assembly	1
23	40410-023	Diffusion Assembly	1
24	40410-024	Blow Tube	1
25	40410-025	Nozzle	1
26	40410-026	Heat Shrink Tube	1
27	40410-027	Charger	1
22.1	40410-022.1	Plug	1
22.2	40410-022.2	Hex Nuts With Flange	1
22.3	40410-022.3	Washer	1
22.4	40410-022.4	Fan	1
22.5	40410-022.5	Screw	4
22.6	40410-022.6	Gear	1
22.7	40410-022.7	Brushless Motor	1
22.8	40410-022.8	Rectifier	1
22.9	40410-022.9	Screw	3
23.1	40410-023.1	Diffusion Tube	1
23.2	40410-023.2	Damper Screen	1
23.3	40410-023.3	Insulator	2

EXPLODED VIEW & PARTS LIST



STORAGE

Examine the cordless blower thoroughly for worn, loose or damaged parts. If you need to repair or replace a part, contact WEN customer service at 1-800-232-1195.

Clean the blower before storing or transporting. Be sure to secure the unit while transporting.

Remove the battery from the blower before storing.

Store the blower in a clean, dry place. Cover it in order to provide added protection.

Always store battery and charger indoors.



This shipment contains lithium ion batteries:

Please handle with care. Fragile contents. Keep dry.

A flammable hazard exists if this package becomes damaged.

Special procedures must be followed in the event this package becomes damaged. Call the number below for a Safety Data Sheet.

For more information call 800-232-1195.

LIMITED TWO YEAR WARRANTY

WEN Products is committed to building tools that are dependable for years. Our warranties are consistent with this commitment and our dedication to quality.

LIMITED WARRANTY OF WEN CONSUMER POWER TOOLS PRODUCTS FOR HOME USE

GREAT LAKES TECHNOLOGIES, LLC (“Seller”) warrants to the original purchaser only, that all WEN consumer power tools will be free from defects in material or workmanship for a period of two (2) years from date of purchase. Ninety days for all WEN products, if the tool is used for professional use.

SELLER’S SOLE OBLIGATION AND YOUR EXCLUSIVE REMEDY under this Limited Warranty and, to the extent permitted by law, any warranty or condition implied by law, shall be the repair or replacement of parts, without charge, which are defective in material or workmanship and which have not been misused, carelessly handled, or misrepaired by persons other than Seller or Authorized Service Center. To make a claim under this Limited Warranty, you must make sure to keep a copy of your proof of purchase that clearly defines the Date of Purchase (month and year) and the Place of Purchase. Place of purchase must be a direct vendor of Great Lakes Technologies, LLC. Third party vendors such as garage sales, pawn shops, resale shops, or any other secondhand merchant void the warranty included with this product. Contact techsupport@wenproducts.com or 1-800-232-1195 to make arrangements for repairs and transportation.

When returning a product for warranty service, the shipping charges must be prepaid by the purchaser. The product must be shipped in its original container (or an equivalent), properly packed to withstand the hazards of shipment. The product must be fully insured with a copy of the warranty card and/or the proof of purchase enclosed. There must also be a description of the problem in order to help our repairs department diagnose and fix the issue. Repairs will be made and the product will be returned and shipped back to the purchaser at no charge.

THIS LIMITED WARRANTY DOES NOT APPLY TO ACCESSORY ITEMS THAT WEAR OUT FROM REGULAR USAGE OVER TIME INCLUDING BELTS, BRUSHES, BATTERIES, ETC.

ANY IMPLIED WARRANTIES SHALL BE LIMITED IN DURATION TO TWO (2) YEARS FROM DATE OF PURCHASE. SOME STATES IN THE U.S., SOME CANADIAN PROVINCES DO NOT ALLOW LIMITATIONS ON HOW LONG AN IMPLIED WARRANTY LASTS, SO THE ABOVE LIMITATION MAY NOT APPLY TO YOU.

IN NO EVENT SHALL SELLER BE LIABLE FOR ANY INCIDENTAL OR CONSEQUENTIAL DAMAGES (INCLUDING BUT NOT LIMITED TO LIABILITY FOR LOSS OF PROFITS) ARISING FROM THE SALE OR USE OF THIS PRODUCT. SOME STATES IN THE U.S. AND SOME CANADIAN PROVINCES DO NOT ALLOW THE EXCLUSION OR LIMITATION OF INCIDENTAL OR CONSEQUENTIAL DAMAGES, SO THE ABOVE LIMITATION OR EXCLUSION MAY NOT APPLY TO YOU.

THIS LIMITED WARRANTY GIVES YOU SPECIFIC LEGAL RIGHTS, AND YOU MAY ALSO HAVE OTHER RIGHTS WHICH VARY FROM STATE TO STATE IN THE U.S., PROVINCE TO PROVINCE IN CANADA AND FROM COUNTRY TO COUNTRY.

THIS LIMITED WARRANTY APPLIES ONLY TO PORTABLE ELECTRIC TOOLS, BENCH POWER TOOLS, OUTDOOR POWER EQUIPMENT AND PNEUMATIC TOOLS SOLD WITHIN THE UNITED STATES OF AMERICA, CANADA AND THE COMMONWEALTH OF PUERTO RICO. FOR WARRANTY COVERAGE WITHIN OTHER COUNTRIES, CONTACT THE WEN CUSTOMER SUPPORT LINE.

Thanks for remembering

