

LED ET8-1140H-20

Part #: ELT8/D/20W/2100/120D/40K/G13/HD/A+B Lamp Class: T8 (4 ft.)



Product Description

LED ET8-1140H-20 delivers superior brightness, valuable energy savings and long lasting performance. This linear CFL replacement provides easy installation and great connectivity whether an existing ballast is present or not. Available in *Bright white (4000K) and *Cool White (5000K). Enjoy features such as: instant on, shatter resistance, and mercury free.



Estimated Energy Cost: \$2.40 per year





*Note: Design, features and specifications subject to change without notice. Some features may not be available on all models. Please visit www.eurilighting.com or call 1-888-743-5766 for more information.

LED Hybrid Tube

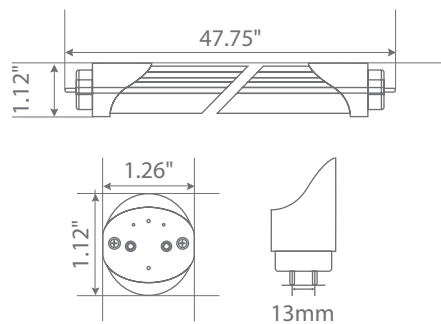
Specifications

Input Power	Input Voltage	Lumen Output	Beam Angle	Center Beam	CCT
20 W	AC100-277 V	2100 lm	124°	618 cd	4000 K
CRI	Luminous Efficacy	Power Factor	Input Current	Base/Cap	Lamp Lifespan
83	105 lm/W	0.9	0.08 A	G13	50,000 Hrs.

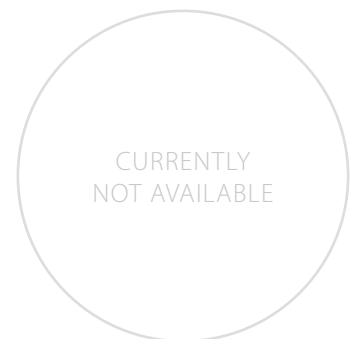
Product Features

-  Non-Dimmable
-  Instant-On/Off
-  Mercury Free
-  Energy Efficient

Product Dimensions



Product Photometric Data



Euri Lighting | A Division of **IRTRONIX** Inc.

635 Hawaii Ave. Torrance CA 90503 | Tel: 888.743.5766 | Fax: 310.787.1166 | www.eurilighting.com
 ©2015 Euri Lighting. All Rights Reserved