



# steamfast

powerful. natural. intelligent.®

---

MODEL SF-520  
MODELO SF-520  
MODÈLE SF-520

## Full Size Fabric Steamer Vaporizador De Telas De Tamaño Grande Défroisseur À Vapeur Grand Format

### Owner's Guide Guía del Usuario Mode d'emploi

---

ENGLISH p. 2  
ESPAÑOL p. 16  
FRANÇAIS p. 30

#### KEEP YOUR RECEIPT FOR WARRANTY PURPOSES

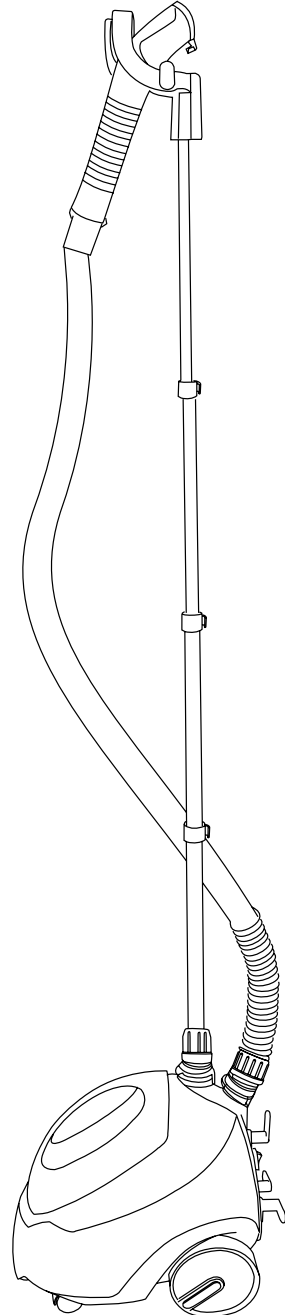
Please read all instructions before use.

#### GUARDE SU RECIBO A EFECTOS DE LA GARANTÍA

Lea todas las instrucciones antes de usarlo.

#### GARDEZ VOTRE REÇU AUX FINS DE LA GARANTIE

Veillez lire toutes les instructions avant l'utilisation.



# IMPORTANT SAFETY INSTRUCTIONS



**WARNING:** To reduce risk of fire, electrical shock or injury, the following basic safety precautions should always be followed when using an electrical appliance.

**WARNING:** To reduce the risk of electrical shock, this appliance uses a polarized electrical plug with one prong that is larger than the other. This plug will fit into a wall outlet only one way. If the plug does not correctly fit in the outlet, contact a licensed electrician to install a proper outlet. DO NOT attempt to modify the plug or defeat this safety feature.

## READ ALL INSTRUCTIONS BEFORE USE



### DANGER

Any appliance is electrically live even when switched off. To reduce risk of electrical shock:

1. Always disconnect appliance from electrical outlet when filling with water or emptying, and when not in use.
2. Do not place or store unit where it can fall or be pulled into a sink or tub.
3. Do not place in, or drop into water or other liquid.
4. If unit falls into water, immediately unplug power cord. Do not reach into the water.



### WARNING

To reduce risk of burns, electrocution, fire, or injury to persons:

1. Do not tamper with or modify this product in any way. The manufacturer assumes no responsibility for damage or injury caused by failure to follow these instructions, improper use, or unauthorized product modification. Any such actions will invalidate the product warranty.
2. Use Full Size Fabric Steamer only for its intended purpose as indicated in this manual.
3. If an extension cord is absolutely necessary, a (15 ampere, 14 gauge) cord should be used. Cords rated for less amperage may overheat. Care should be taken to arrange the cord so that the cord cannot be pulled or tripped over.
4. Before plugging power cord into electrical outlet, be sure that all electrical information on rating label agrees with your power supply.
5. To reduce likelihood of circuit overload, DO NOT operate another high wattage appliance on the same circuit as this unit.
6. To protect against risk of electrical shock, do not immerse unit in water or other liquids. Do not use power cord as handle, let it hang over edges of counters, or be crimped or closed in doors.
7. Never yank power cord to disconnect from outlet; instead, grasp plug and pull to disconnect.
8. Do not operate unit with a damaged power cord or if the unit has been dropped or damaged. To avoid risk of electrical shock, do not disassemble unit; contact Steamfast Consumer Service for examination and repair. Incorrect reassembly can cause a risk of electrical shock when unit is used.
9. Close supervision is required for any appliance being used near children, pets and plants. Do not leave unit unattended while plugged in.
10. This unit is not intended for use by persons (including children) with reduced physical, sensory or mental capabilities, or lack of experience and knowledge, unless they have been given supervision or

- instruction concerning use of the unit by a person responsible for their safety.
11. Do not use unit where aerosol-based products are being used, or where oxygen is being administered.
  12. Unit is only meant to be used with recommended Full Size Fabric Steamer (model SF-520) accessories. Using other types of attachments may cause damage to unit or injury.
  13. If Lighted On/Off Switch does not illuminate when unit is plugged in and switch is set to "I" (on) position, unit is not operating normally. Immediately disconnect cord from power supply, then refer to troubleshooting guide on Page 13 of this manual for assistance.
  14. Do not attempt to use unit without properly filling Water Tank / Water Reservoir.
  15. When filling unit, only water should be used – other cleaning agents could damage unit or cause injury. Distilled or de-mineralized water is highly recommended, in order to minimize potential build-up of mineral deposits.
  16. To reduce risk of contact with hot water emitting from Steam Nozzle, check appliance before each use by positioning it away from body and turning it on. Do not operate unit if Steam Nozzle is blocked.
  17. Use caution when carrying unit up stairs or over obstacles, or when using unit on or near an uneven surface.
  18. Burns can occur from touching hot plastic parts, hot water, or steam. Do not touch Steam Nozzle or attempt to connect any accessories while unit is in use. Use caution when you turn unit upside-down – there may be hot water inside.
  19. When steaming any fabric for the first time, it is recommended that you consult the manufacturer's guidelines for the material being steamed. For items in question, test on an inconspicuous area before proceeding.
  20. Synthetic materials (such as 100% nylon or polyester) are sensitive to heat, and may be damaged by exposure to hot steam. Steam is recommended for use only on natural fibers such as cotton, linen or wool, as well as nylon or polyester blends.
  21. Do not allow power cord to touch hot surfaces during use. Loosely wrap cord around Cord Wrap when storing.
  22. Always allow Full Size Fabric Steamer to cool (30 minutes for complete cooling) and empty Water Tank and Water Reservoir before storing.

This equipment may generate, use and/or radiate radio frequency energy that may cause harmful interference to radio communications. If this equipment does cause harmful interference to radio or television reception, which can be determined by turning the equipment off and on, the user is encouraged to contact Vornado Consumer Service at 1-800-234-0604.

## **SAVE THESE INSTRUCTIONS!**

### **FOR HOUSEHOLD USE ONLY**

---

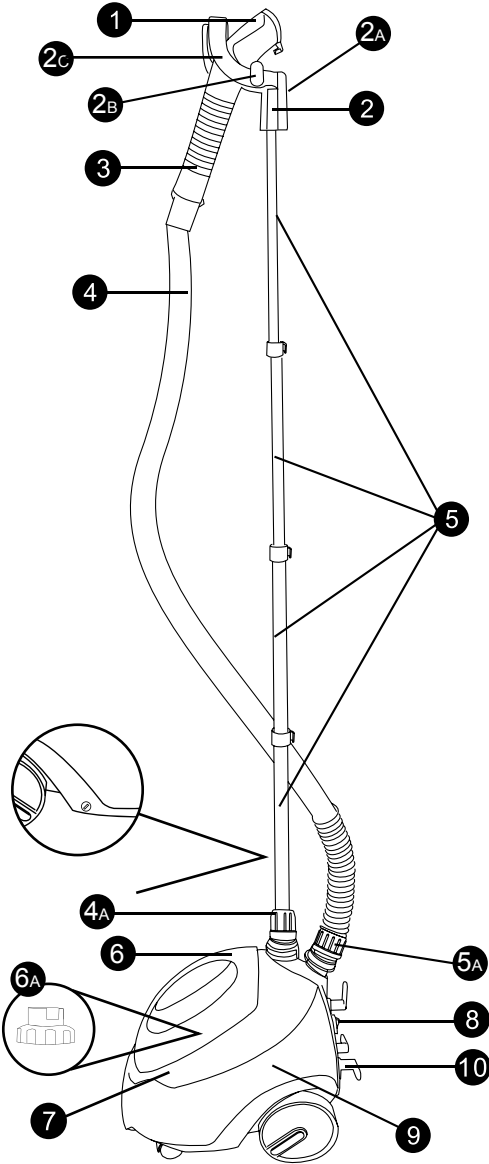
#### **Questions or comments?**

- [steamfast.com](http://steamfast.com)
- [consumerservice@steamfast.com](mailto:consumerservice@steamfast.com)
- 1-800-711-6617

**Speak your mind! You are invited to review this product online:**  
**[steamfast.com/reviews](http://steamfast.com/reviews)**

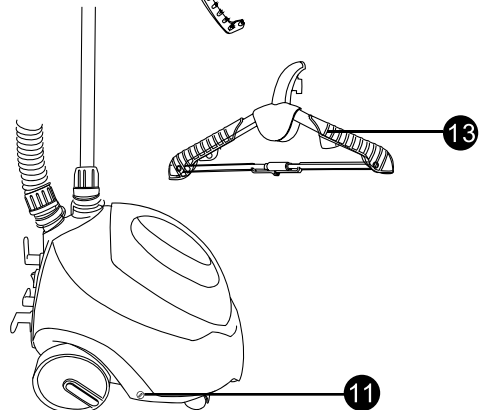
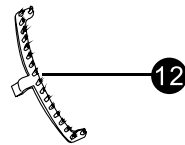


The following features and accessories are included with your Full Size Fabric Steamer. Carefully inspect the packing material for all parts listed below. To obtain possible missing parts, refer to **Product Support** on Page 14 of this manual for Consumer Service contact information.



**UNIT FEATURES & ACCESSORIES**

- 1 Steam Nozzle
- 2 Pole Top
- 2A Hanger Anchor Holes
- 2B Clothes Hanger Hooks
- 2C Steam Nozzle Cradle
- 3 Handle
- 4 Hose
- 4A Hose Base
- 5 Telescopic Pole
- 5A Pole Base
- 6 Water Tank
- 6A Valve Cap
- 7 Water Reservoir
- 8 Lighted On/Off Switch
- 9 Boiler (internal)
- 10 Cord Wrap
- 11 Drain Plug
- 12 Fabric Brush
- 13 Hanger

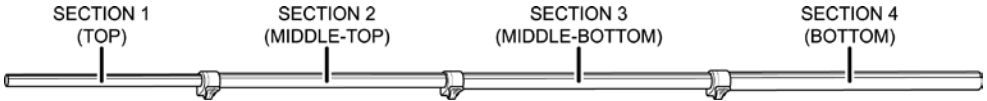


- The *Steam Nozzle* (1) emits the flow of hot, penetrating steam produced by the *Boiler*. The *Fabric Brush* connects to the *Steam Nozzle*.
- The *Pole Top* (2) connects to the top section of the *Telescopic Pole*. The *Pole Top* is comprised of the *Steam Nozzle Cradle* and *Clothes Hanger Hooks*, and includes the *Hanger Anchor Holes*.
- The *Hanger Anchor Holes* (2A) serve as the connection point for attaching the included *Hanger*.
- The *Clothes Hanger Hooks* (2B) are included as an alternative to the included *Hanger*. The *Clothes Hanger Hooks* can support garments hung from any clean rust-free hanger.
- The *Steam Nozzle Cradle* (2C) provides a safe and convenient place to hang the *Steam Nozzle* when not in use.
- The *Handle* (3) is engineered to stay cool while providing maximum grip and comfort.
- The *Hose* (4) directs steam flow from the main unit to the *Steam Nozzle*.
- The *Hose Base* (4A) is the threaded receptacle onto which the *Hose* is screwed and secured to the front of the main unit.
- The *Telescopic Pole* (5) connects to the main unit at the *Pole Base*. The *Telescopic Pole* is divided into four sections, three of which can be extended and lowered to a variety of heights for optimal user comfort and convenient storage.
- The *Pole Base* (5A) is the receptacle into which the *Telescopic Pole* is inserted and secured to the top of the main unit.
- The *Water Tank* (6) is the container that holds water to be transferred into the *Water Reservoir*. The *Water Tank* is removable for convenient filling, up to a maximum capacity of 70 oz (2,070 ml).
- The *Valve Cap* (6A) regulates the flow of water between the *Water Tank* and the *Water Reservoir*, and must be removed in order to fill the *Water Tank* with water.
- The *Water Reservoir* (7) holds water before it is transferred to the *Boiler* and converted into steam.
- The *Lighted On/Off Switch* (8) powers the unit on and off. When set to the “I” (on) position, it illuminates to provide a clear visual indication that the unit is receiving power.
- The *Boiler* (9) is the internal heater where water transferred from the *Water Reservoir* is converted into steam.
- The *Cord Wrap* (10) is designed to hold the power cord when not in use.
- The *Drain Plug* (11) is opened to easily empty the *Water Reservoir* of any remaining water.
- The *Fabric Brush* (12) connects to the *Steam Nozzle* and is designed to brush away particles such as lint, hairs and loose threads.
- The *Hanger* (13) connects to the *Pole Top* via the *Hanger Anchor Holes*. The *Hanger* is designed to support garments for easy, accessible steaming, and quickly collapses for convenient storage.

## TELESCOPIC POLE

The Telescopic Pole is made up of four sections (FIGURE 1):

- TOP (SECTION 1)
- MIDDLE-TOP (SECTION 2)
- MIDDLE-BOTTOM (SECTION 3)
- BOTTOM (SECTION 4)



**FIGURE 1**

SECTIONS 1, 2 & 3 are adjustable in length. By using the three extension locks, these sections may be extended or retracted in order to achieve the desired length. Refer to **Adjusting Telescopic Pole** section on Page 7 for more details.

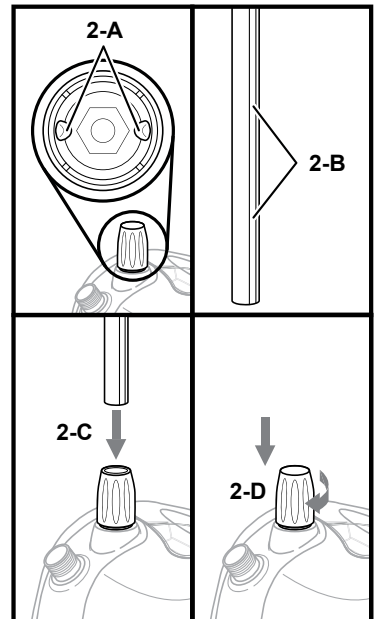
**NOTE: SECTION 4 (BOTTOM) is the widest section of the Telescopic Pole. This is the section that fits into the Pole Base.**

## CONNECTING TELESCOPIC POLE

1. Make sure Pole Base coupling is loosened – rotate it counter-clockwise if necessary.
2. Look down inside Pole Base, and locate two guide ridges (FIGURE 2-A). Align guide grooves on Telescopic Pole (FIGURE 2-B) with guide ridges inside Pole Base.
3. With guide grooves aligned with guide ridges, insert SECTION 4 of Telescopic Pole into Pole Base (FIGURE 2-C).

**NOTE: If you have trouble locating two guide ridges inside Pole Base, insert SECTION 4 of Telescopic Pole into Pole Base, then twist pole to properly align the guide grooves and guide ridges.**

4. Screw coupling clockwise to lock Telescopic Pole in place (FIGURE 2-D). Telescopic Pole should now be secured to the Pole Base.



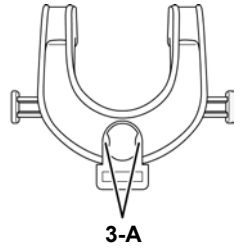
**FIGURE 2**

## CONNECTING POLE TOP

1. Look at underside of Pole Top to locate two guide ridges (FIGURE 3-A).
2. Align Pole Top guide ridges with guide grooves on SECTION 1 of Telescopic Pole.

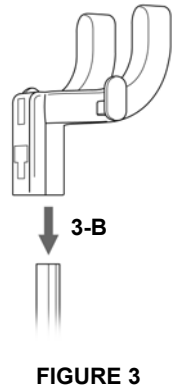
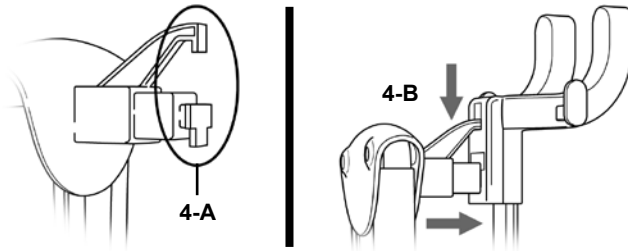
**NOTE: It is recommended to orient Pole Top so Nozzle Cradle faces backwards towards rear of the unit.**

3. Slide Pole Top onto SECTION 1 of Telescopic Pole (FIGURE 3-B). Press down firmly until Pole Top fits securely in place.



## CONNECTING HANGER

1. Locate brackets on back of Hanger (FIGURE 4-A).
2. Align Hanger with Hanger Anchor Holes on front of Pole Top. Insert brackets into holes, then slide Hanger down to lock it in place (FIGURE 4-B).

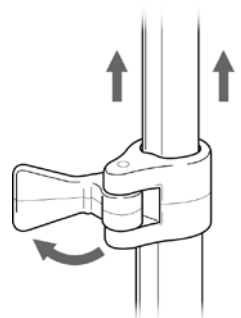


## ADJUSTING TELESCOPIC POLE

To adjust the length of SECTIONS 1, 2 & 3 of the Telescopic Pole:

1. Release extension lock directly below SECTION 1 by swinging hinge outward as shown. SECTION 1 can then be extended / retracted (FIGURE 5).
2. Once SECTION 1 is at desired length, close hinge to once again secure extension lock.
3. Repeat **STEPS 1 & 2** for SECTIONS 2 & 3 of the Telescopic Pole, using the extension lock directly below each of those sections.

**NOTE: It is recommended to extend Telescopic Pole to its full height during steamer operation; this will ensure optimal steam flow through the Hose.**





## CONNECTING HOSE

1. Place end of Hose onto threaded Hose Base (FIGURE 6-A).
2. Rotate coupling in clockwise direction until Hose is tightly secured onto Hose Base (FIGURE 6-B). Hand tighten only. Do not over-tighten.
3. Hang Steam Nozzle on specially designed Steam Nozzle Cradle (FIGURE 6-C).

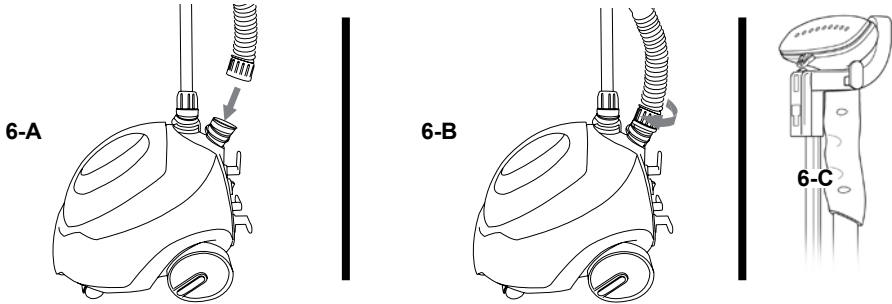


FIGURE 6

**CAUTION:** To prevent steam from causing bodily injury or damage to surfaces, always hang Steam Nozzle on Steam Nozzle Cradle when not in use. Do not lay Hose on the floor as condensation may build up, causing unwanted water droplets in the steam. Do not pull on the Hose with excessive force as this may damage it, resulting in a steam leak.

## CONNECTING FABRIC BRUSH

1. Make sure Lighted On/Off Switch is set to "O" (off) position, and that unit is not emitting any steam.

**CAUTION:** Do not try to connect Fabric Brush while unit is emitting steam, as this can cause burns and injury.

2. Align Fabric Brush with Steam Nozzle as shown (FIGURE 7).
3. Press Fabric Brush firmly onto Steam Nozzle. The two pegs will fit into the two larger holes on face of the nozzle, while latch fits over top of the nozzle (FIGURE 7-A).

Your new SF-520 Full Size Fabric Steamer is now fully assembled and ready for use. Please continue reading this manual for instructions on using the Full Size Fabric Steamer, as well as directions for proper cleaning, storage and troubleshooting.

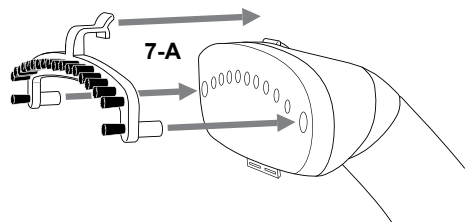


FIGURE 7



## FILLING WITH WATER

1. Remove Water Tank from main unit.
2. Holding Water Tank upside-down, unscrew and remove Valve Cap by rotating it in a counter-clockwise direction (FIGURE 8-A).
3. Fill Water Tank with water through Valve Cap hole. At full capacity, the Water Tank holds 70oz (2,070 ml) of water, and will provide a continuous steam time of approximately 63 minutes. For quick steaming tasks, a smaller amount of water can be used.

**NOTE:** In order to minimize potential mineral build-up and prolong the life of your Full Size Fabric Steamer, distilled or de-mineralized water is recommended.

**CAUTION:** Only water should be used in unit – other chemicals or cleaning agents may cause internal damage. Do not attempt to substitute any other water tank for the one designed for use with this unit.

4. Replace Valve Cap by rotating it in a clockwise direction.
5. Place Water Tank back onto main unit (FIGURE 8-B). The sound of water flowing from Water Tank into Water Reservoir should be audible for a short period of time.

**NOTE:** Water Tank can be removed and refilled at any time during operation – there is no need to turn unit off or allow any cooling period. **IMPORTANT:** Do not attempt to operate unit with an empty Water Tank.

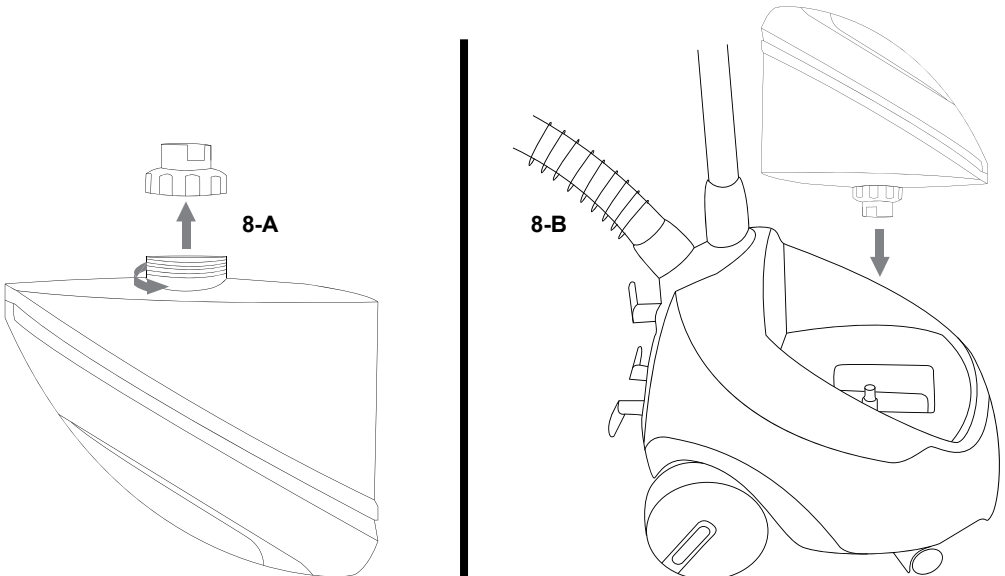


FIGURE 8

## GENERAL OPERATION

**NOTE:** Be sure that Water Tank has been filled and, if desired, the Fabric Brush is connected before following these steps.

1. For first-time use, remove protective plastic cover that is shipped on electrical plug. Plug power cord into a convenient electrical outlet.

**CAUTION:** This unit uses a polarized electrical plug, with one prong that is larger than the other. This plug will fit into a wall outlet only one way. If the plug does not correctly fit in the outlet, contact a licensed electrician to install a proper outlet. Do not attempt to alter plug or circumvent this safety feature in any way.

2. Set Lighted On/Off Switch to "I" (on) position, and verify that switch is illuminated.
3. After approximately 45 seconds of heating time, unit will begin producing a flow of steam from Steam Nozzle.

**NOTE:** It is common for the unit to produce gurgling sounds and small amounts of water during the first few minutes of steaming. This is due to water condensation inside cold Hose, and should be reduced as the Hose heats up.

4. Once steam flow is steady and excess condensation has been removed from Hose, you may proceed with your steaming tasks. Refer to **Fabric Steaming** section on Page 11 for more information about steaming garments and other fabrics.

**CAUTION:** Always be sure that Steam Nozzle is pointed in a safe direction (away from yourself, other people, pets and plants) when steaming.

5. When you are finished using the Full Size Fabric Steamer, immediately set Lighted On/Off switch to "O" (off) position and unplug power cord from electrical outlet. Refer to **Storage & Care** on Page 12 for proper cleaning and storage procedures.

## FABRIC STEAMING

### STEAMING GARMENTS:

1. To expand Hanger for use, fold the two arms upward until the lower support arms line up straight (FIGURE 9-A). Slide lock to secure arms in place (FIGURE 9-B). A garment may now be placed on the Hanger.
2. Alternatively, place garment on a clean, rust-free clothes hanger. Place hanger (with garment) on one of the Clothes Hanger Hooks (FIGURE 10).

**CAUTION: Use care when handling garments hanging on unit. Pulling on the garment with too much force may cause the unit to tip over.**

3. Direct Steam Nozzle towards bottom of garment. Steam will rise along inside and outside of fabric, removing wrinkles. Slowly slide Steam Nozzle vertically, from bottom to top of garment (FIGURE 11).

**NOTE: Do not allow kinks to form in Hose at any time during use.**

4. Direct Steam Nozzle away from garment and smooth fab with your free hand.
5. Repeat STEPS 3 & 4 as necessary until fabric is fresh ar wrinkle-free.

### GENERAL STEAMING TIPS:

- For most effective results, hold Steam Nozzle within 1/2" of fabrics, or press it directly against surfaces.
- Curtains and draperies can be steamed while still hanging.
- To remove wrinkles from towels, handkerchiefs and napkins, drape them over a rod or towel rack and gently steam the
- Heavier fabrics may require repeated steaming to achieve desired results.
- To remove exceptionally stubborn wrinkles, steam both sides of fabric.
- Be especially careful when steaming any delicate fabrics th may be damaged by heat or water spotting.
- To sanitize a fabric, hold Steam Nozzle within 1/2 inch of single area for at least 5 seconds. Use caution when doi this on more delicate fabrics.
- To remove particles like lint, hairs and loose threads, connect the Fabric Brush to the Steam Nozzle.

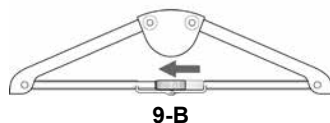
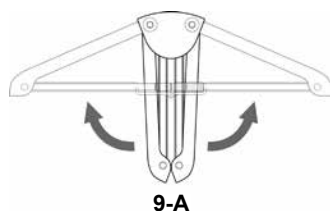


FIGURE 9

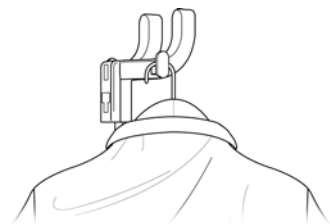


FIGURE 10

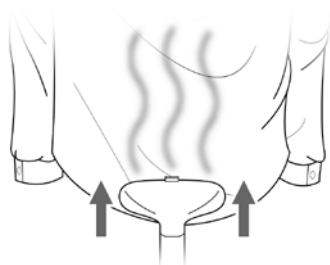


FIGURE 11



## PROPER STORAGE

Preparing your Full Size Fabric Steamer for storage is quick and simple. When you have finished your steaming tasks, follow the steps listed below.

1. Set Lighted On/Off Switch to “O” (off) position, and unplug power cord from electrical outlet.
2. Allow unit to cool (30 minutes for complete cooling).
3. Bring unit to a convenient sink or tub.
4. Remove Water Tank from unit. Unscrew Valve Cap and drain all remaining water from Water Tank. Replace Valve Cap when finished.
5. Open Drain Plug and drain all remaining water from Water Reservoir to prevent overfilling during your next use. Securely replace Drain Plug and place empty Water Tank back onto main unit.
6. For storage convenience, you may wish to collapse Telescopic Pole to its most compact height (refer to Page 7 for details).
7. Wrap power cord around Cord Wrap. Store Full Size Fabric Steamer in a cool dry location.

## MINERAL BUILD-UP

A common maintenance need for steam appliances is the removal of build-up caused by high mineral content in many municipal water supplies. This mineral build-up may limit the effectiveness and reduce the life of your Full Size Fabric Steamer.

The best way to minimize mineral build-up is to use distilled or de-mineralized water when using your Full Size Fabric Steamer. In addition, it is recommended that the cleaning procedure below be followed at least once a month in order to remove any deposits that form. This will help to extend the life of your Full Size Fabric Steamer and keep it functioning at its maximum potential.

### To remove mineral build-up:

1. Press Power Switch to “OFF” position and unplug power cord from electrical outlet.
2. Allow unit to cool (30 minutes for complete cooling).
3. Bring unit to a convenient sink or tub.
4. Remove Water Tank from unit. Unscrew Valve Cap and drain all remaining water from Water Tank.
5. Drain all remaining water from the Water Reservoir through Hose Base.
6. Fill a measuring cup (**not included**) with 12 oz (355 ml) vinegar.
7. Pour vinegar into Water Tank, then replace Valve Cap and place Water Tank back onto main unit.
8. Allow vinegar to flow into Water Reservoir / Boiler and soak for 30-40 minutes.
9. Plug power cord into an electrical outlet and set Power Switch to “ON” position. Allow unit to steam until no vinegar remains.
10. Drain any remaining cleaning solution from the Water Reservoir through Hose Base.
11. Remove and refill Water Tank to maximum capacity (70 oz / 2,070 ml) with fresh water and place it back onto main unit. Allow all fresh water to flow into Water Reservoir / Boiler and be steamed out. Refill and repeat as necessary until vinegar odor has completely dissipated.
12. When finished, press Power Switch to “OFF” position and unplug power cord from electrical outlet. Follow normal storage procedure as outlined in **Proper Storage** section above.



## TROUBLESHOOTING

PROBLEM	POSSIBLE CAUSE	SOLUTION
Unit fails to heat up. Lighted On/Off Switch <b>DOES NOT</b> illuminate when set to "I" (on) position.	Unit is not plugged in.	Plug power cord into electrical outlet.
	Household circuit breaker / ground fault interrupter has tripped or blown a fuse.	Reset circuit breaker / ground fault interrupter, or replace fuse. For assistance, contact a licensed electrician.
	Unit is damaged or otherwise in need of repair.	Immediately cease usage and unplug. Contact Consumer Service for assistance (see below for details).
Unit fails to heat up. Lighted On/Off Switch <b>DOES</b> illuminate when set to "I" (on) position. <b>NOTE: Always allow sufficient time for unit to heat up and begin producing steam.</b>	No water in unit.	Refer to <b>Filling With Water</b> procedure on Page 9 to fill unit with water.
	Mineral build-up in unit.	Refer to <b>Care &amp; Maintenance</b> section on Page 12 for details.
	Unit is damaged or otherwise in need of repair.	Immediately cease usage and unplug. Contact Consumer Service for assistance (see below for details).
Excessive gurgling in Hose and Steam Nozzle / water drips from Steam Nozzle.	Condensation build-up inside of Steam Nozzle / Hose.	Some gurgling is a natural effect of the steaming process. For excessive gurgling or dripping water, point Steam Nozzle downward and shake thoroughly to remove excess water droplets.
	Mineral build-up in unit.	Refer to <b>Care &amp; Maintenance</b> section on Page 12 for details.
Steam output is weak or intermittent.	Water level in Water Reservoir is running low.	Refer to <b>Filling With Water</b> procedure on Page 9 to refill unit with water.
	Mineral build-up in unit.	Refer to <b>Care &amp; Maintenance</b> section on Page 12 for details.

## CONSUMER SERVICES

For problems with your Full Size Fabric Steamer, please refer to the troubleshooting guide located above. Additional inquiries should be directed to our consumer support services through our Web site, [www.steamfast.com](http://www.steamfast.com).

If you do not have internet access, you may also contact our Consumer Service Department by telephone, at **1-800-711-6617**.

**NOTE: In order for our Consumer Service representatives to help you as quickly and efficiently as possible, please have the following information ready before calling:**

- **Purchase information (where and when you purchased this product)**
- **Copy of purchase receipt / proof of purchase**
- **Product serial number (located near electrical specification label on bottom of unit)**
- **Date code (4-digit number located on electrical specification label on bottom of unit)**

For information regarding your 1 year limited warranty, refer to Page 15 of this manual.



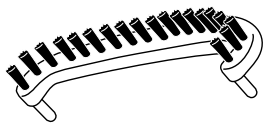
## REPLACEMENT ACCESSORIES

When ordering replacement accessories for your Full Size Fabric Steamer, you may refer to the part numbers below. Replacement accessories may be ordered through our Web site:

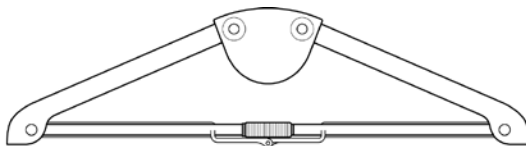
[www.steamfast.com](http://www.steamfast.com)

You may also contact Consumer Service directly:

[consumerservice@steamfast.com](mailto:consumerservice@steamfast.com) or 1-800-711-6617



**FABRIC BRUSH**  
A520-001



**HANGER**  
A510-002

**NOTE:** Due to continuing improvements, part numbers listed above may change. For assistance ordering parts, please contact Consumer Service directly.

### PRODUCT SPECIFICATIONS

<b>MODEL</b>	SF-520
<b>VOLTAGE</b>	120V
<b>WATTAGE</b>	1500W
<b>AMPERAGE</b>	12.5A
<b>WATER CAPACITY</b>	70 OZ (2,070 ML)
<b>HEATING TIME</b>	45 SEC (APPROXIMATE)
<b>CONTINUOUS STEAM TIME</b>	63 MIN (APPROXIMATE)
<b>UNIT WEIGHT</b>	9.49 LBS (4.3 KG)
<b>UNIT DIMENSIONS</b>	12.0" (30.5 CM) x 10.4" (25.52 CM) x 63.4" (165.9 CM)
<b>POWER CORD LENGTH</b>	6' (183.0 CM)



**steamfast**

## Warranty Information

### 1 YEAR LIMITED WARRANTY

Steamfast, a division of Vornado Air LLC, ("Steamfast") warrants to the original consumer or purchaser this Steamfast Full Size Fabric Steamer SF-520 ("Product") is free from defects in material or workmanship for a period of one (1) year from the date of purchase. If any such defect is discovered within the warranty period, Vornado, at its discretion, will repair or replace the Product at no cost if the Product is returned to Steamfast postage-paid. Repairs not covered by the warranty or outside the warranty period will require a fee to cover the cost of materials, handling and shipping.

This warranty does not apply to defects resulting from abuse of the Product, modification, alteration, repair or service of the Product by anyone other than Steamfast, mishandling, improper maintenance, commercial use of the Product, damages which occur in shipment or are attributed to acts of God.

REPAIR OR REPLACEMENT AS PROVIDED UNDER THIS WARRANTY IS THE EXCLUSIVE REMEDY OF THE CONSUMER. STEAMFAST SHALL NOT BE LIABLE FOR ANY INCIDENTAL OR CONSEQUENTIAL DAMAGES FOR BREACH OF ANY EXPRESS OR IMPLIED WARRANTY ON THIS PRODUCT. EXCEPT TO THE EXTENT PROHIBITED BY APPLICABLE LAW, ANY IMPLIED WARRANTY OF MERCHANTABILITY OR FITNESS FOR A PARTICULAR PURPOSE ON THIS PRODUCT IS LIMITED IN DURATION TO THE DURATION OF THIS WARRANTY.

Some states do not allow the exclusion or limitation of incidental or consequential damages, or allow limitations on how long an implied warranty lasts, so the above limitations or exclusions may not apply to you. This warranty gives you specific legal rights, and you may have other rights that vary from state to state.

For warranty or repair service, call 1-800-711-6617 or email [consumerservice@steamfast.com](mailto:consumerservice@steamfast.com) to obtain a Return Authorization ("RA") form. Please have or include your Product's model number, date code and serial number, as well as your name, address, city, state, zip code and phone number when contacting Steamfast for warranty service. You may be required to provide the original sales receipt. For your records: Staple or attach your original sales receipt to this Owner's Guide. Please also write your Product's serial number below (located on product specs decal).

Serial No. \_\_\_\_\_

After receiving the RA form, ship your Product to:

Steamfast  
Attn: Warranty & Repair  
415 East 13th Street  
Andover, KS 67002

To assure proper handling, packages must be clearly marked with the RA number. Packages not clearly marked with the RA number may be refused at the receiving dock.

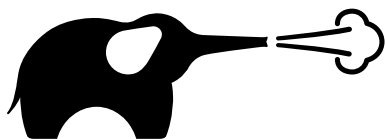
Please allow 1-2 weeks for repair and return of your Product after the Product is received.

Product registration available online at [www.steamfast.com](http://www.steamfast.com)

© 2016 Vornado Air LLC • Andover, KS 67002  
Specifications subject to change without notice.  
Steamfast® is a trademark owned by Vornado Air LLC.  
Manufactured in China.

Steamfast Consumer Service

W: [www.steamfast.com](http://www.steamfast.com) | P: 1-800-711-6617 | E: [consumerservice@steamfast.com](mailto:consumerservice@steamfast.com)



# **steamfast**

powerful. natural. intelligent.®

**review this product online**  
**evalúe este producto en línea**  
**évaluer ce produit en ligne**

**[www.steamfast.com/reviews](http://www.steamfast.com/reviews)**

**Steamfast**

415 East 13th Street, Andover, KS 67002

1-800-711-6617 | [www.steamfast.com](http://www.steamfast.com) | [consumerservice@steamfast.com](mailto:consumerservice@steamfast.com)

T520-005  
T520-005 R-, V00