

### PORTSMOUTH® VANITY TOP

- 7820.400** Faucet holes on 4" centers
- 7820.800** Faucet holes on 8" centers
- Seamless one piece design made from Fine Fire Clay
- Interior Oval bowl design
- Includes 1" backsplash
- Fits most standard 30" vanities
- Pre-drilled for 4" and 8" faucet holes
- Includes safety overflow design



#### Nominal Dimensions:

31-1/8" x 22-7/8"  
(791 x 581 mm)

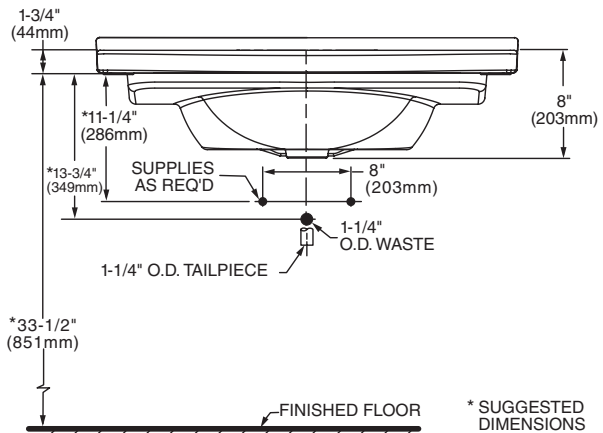
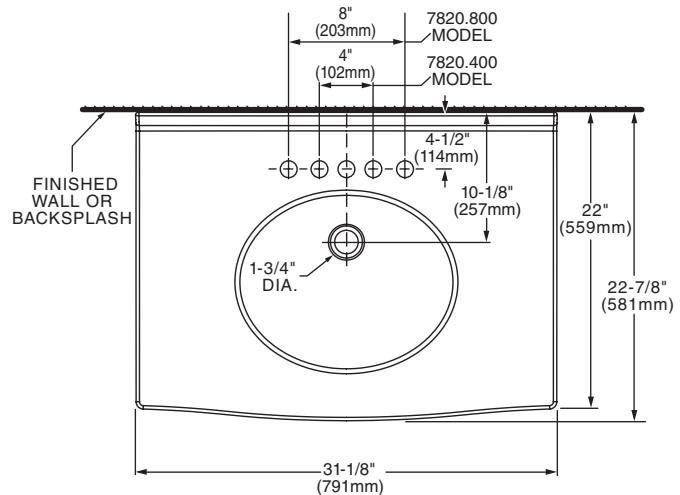
#### Bowl sizes:

16" (406mm) wide  
13" (330mm) front to back  
6-1/2" (165mm) deep

#### Compliance Certifications -

#### Meets or Exceeds the Following Specifications:

- ASME A112.19.9M for Non-Vitreous Ceramic Fixtures



<p>To Be Specified</p> <ul style="list-style-type: none"> <li><input type="checkbox"/> Color: <input type="checkbox"/> White</li> <li><input type="checkbox"/> Faucet:</li> <li><input type="checkbox"/> Faucet Finish:</li> <li><input type="checkbox"/> Supplies:</li> <li><input type="checkbox"/> Trap:</li> </ul>
--

\* See faucet section for additional models available

#### NOTES:

\* DIMENSIONS SHOWN FOR LOCATION OF SUPPLIES AND "P" TRAP ARE SUGGESTED. FITTINGS NOT INCLUDED WITH FIXTURE AND MUST BE ORDERED SEPARATELY. FOR COUNTERTOP CUTOUT AND INSTALLATION INSTRUCTIONS USE TEMPLATE SUPPLIED WITH SINK.

**IMPORTANT:** Dimensions of fixtures are nominal and may vary within the range of tolerances established by ANSI Standard A112.19.9M. These measurements are subject to change or cancellation. No responsibility is assumed for use of superseded or voided pages.

### PORTSMOUTH® 30" VANITY

#### ☐ 9210.030

- Transitional style vanity
- Constructed of poplar solids with birch veneers
- Matching Rattan door insert
- Slide-out step-up feature
- Storage area includes one shelf

#### Nominal Dimensions:

30" x 21-1/2" (762 x 546mm)

33-1/2" height (851mm)

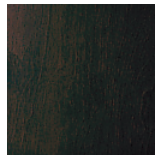


#### To Be Specified (Required):

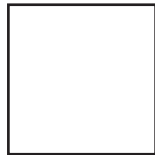
- ☐ 0615.000 Portsmouth vitreous china undercounter sink (White - 020) Use with laminated marble top (supplied by others).

or

- ☐ 7820.400 Portsmouth Fire Clay Vanity Top, with faucet holes on 4" (102mm) centers
- ☐ 7820.800 Portsmouth Fire Clay Vanity Top, with faucet holes on 8" (203mm) centers



322  
Dark Chocolate



020  
White

#### NOTES:

\* DIMENSIONS SHOWN FOR LOCATION OF SUPPLIES AND "P" TRAP ARE SUGGESTED.

▼ ANCHOR SCREWS FOR LAVATORY AND PEDESTAL NOT INCLUDED.

- FITTINGS NOT INCLUDED AND MUST BE ORDERED SEPARATELY. PROVIDE SUITABLE REINFORCEMENT FOR ALL WALL SUPPORTS.

**IMPORTANT:** Dimensions of fixtures are nominal and may vary within the range of tolerances established by ANSI Standard A112.19.9M. These measurements are subject to change or cancellation. No responsibility is assumed for use of superseded or voided pages.

