

Product & Packaging Specs

2" Standard Rafter Clip (RC-LS-2)

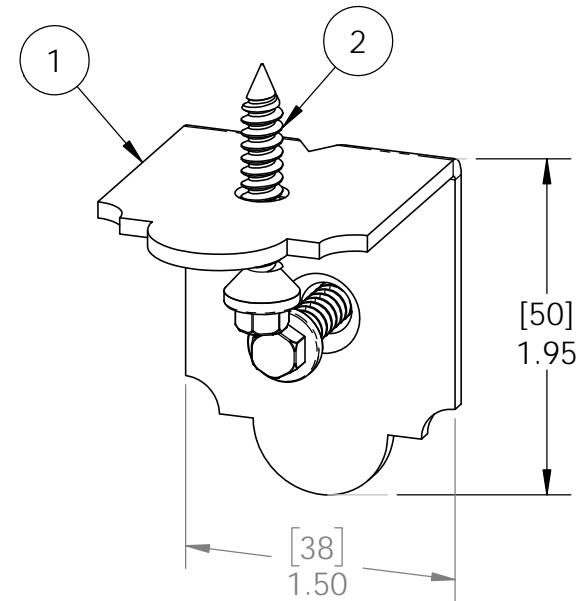
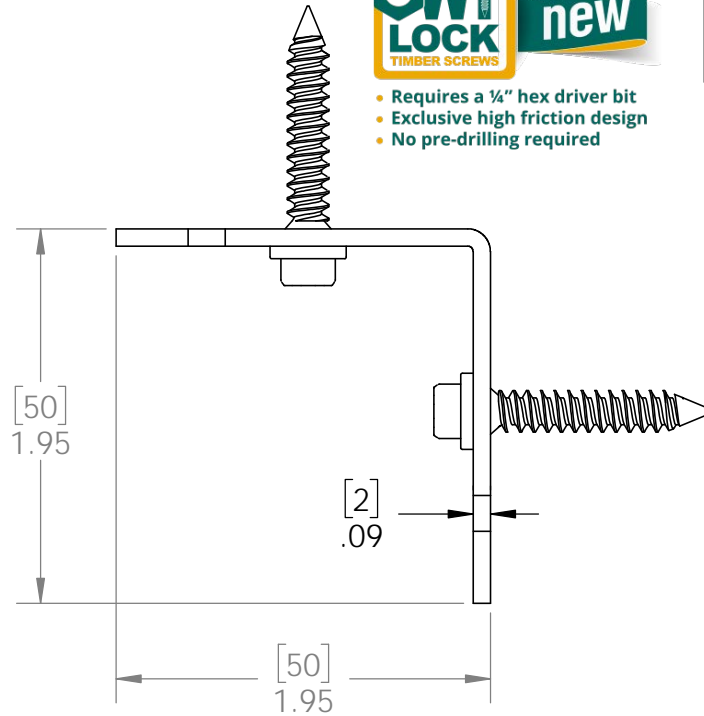
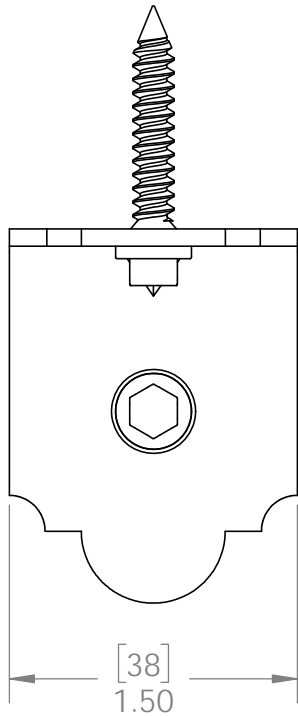
Item #: 56617

ITEM NO.	QTY.	PART NUMBER	DESCRIPTION
1	1	56617-11	Clip, 2" Rafter
2	2	80060	Screw, 1-1/2"x1/4" Black Hex-Head (1-1/2-HX-SCR)

This Package Includes



- Requires a 1/4" hex driver bit
- Exclusive high friction design
- No pre-drilling required



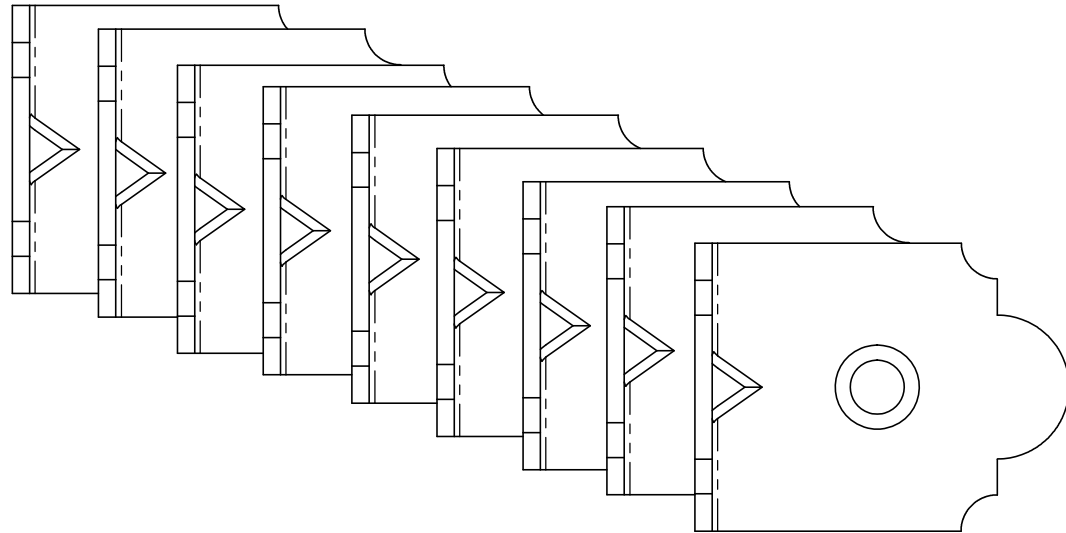
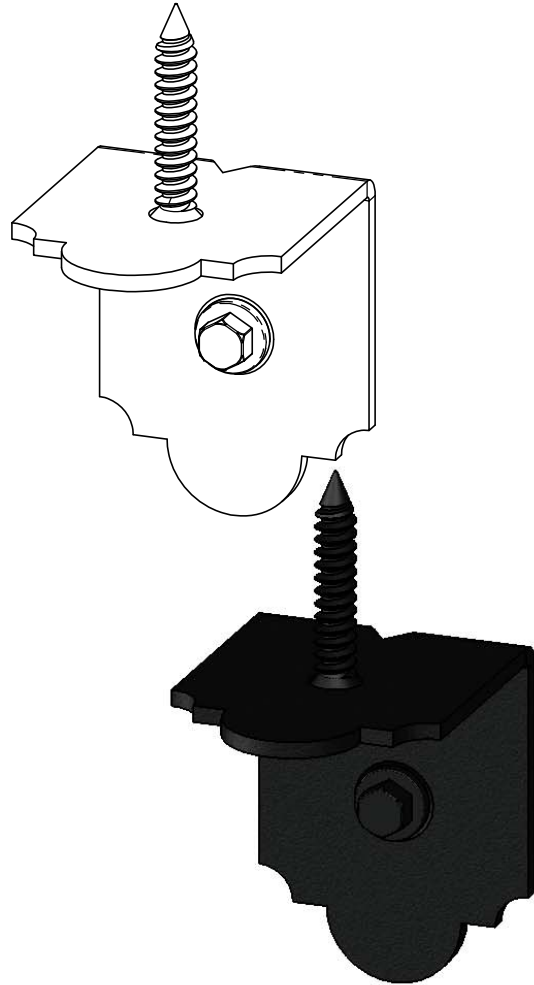
Weight: 0.12 LBS
 Scale: 1:1
 Last updated: 10/10/2016

56617-10

Product & Packaging Specs

2" Standard Rafter Clip (RC-LS-2)

Item #: 56617



Weight: 0.12 LBS
Scale: 1:1
Last updated: 10/10/2016

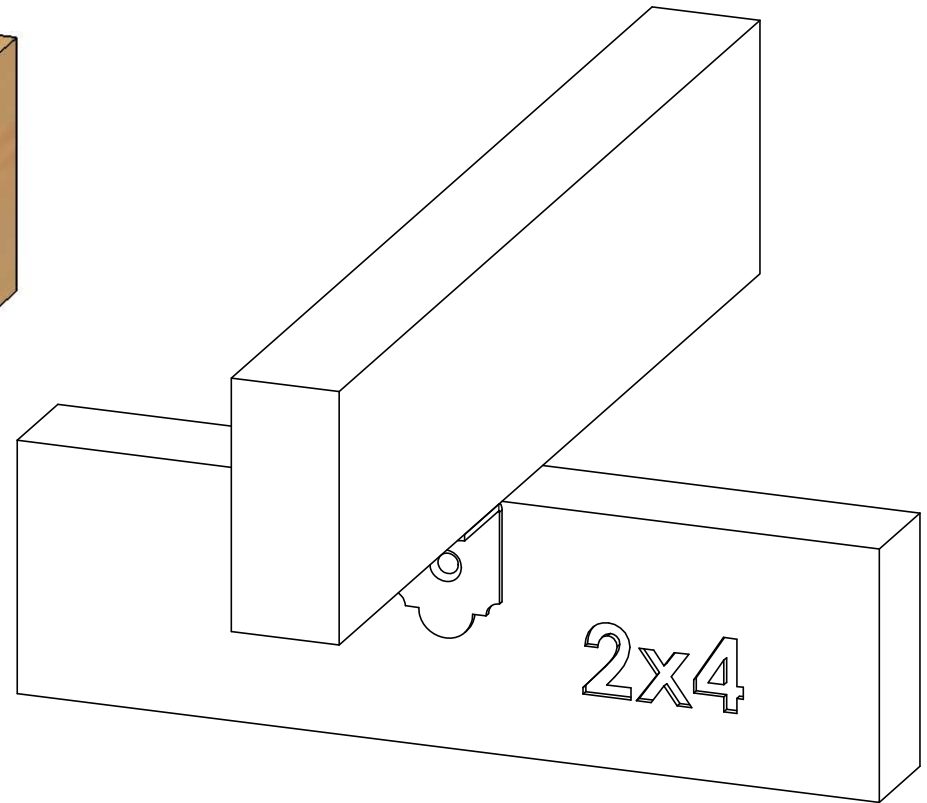
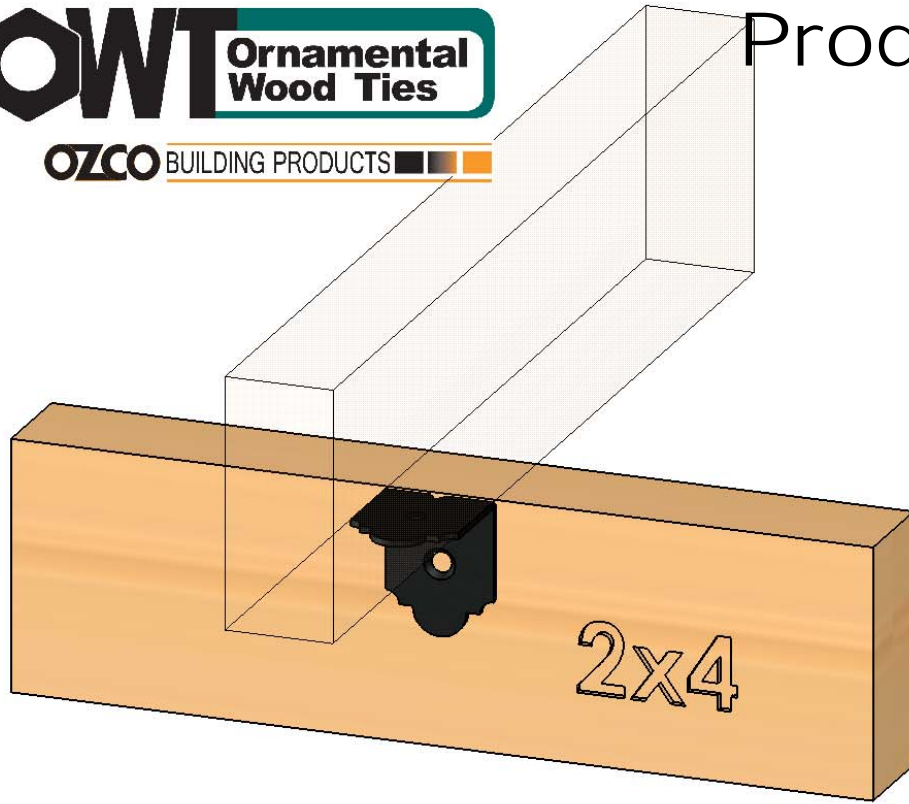
56617-10



Product & Packaging Specs

2" Standard Rafter Clip (RC-LS-2)

Item #: Typical Installation & Basic Assembly



Weight: 0.12 LBS
Scale: 1:2.5
Last updated: 10/10/2016

56617-10

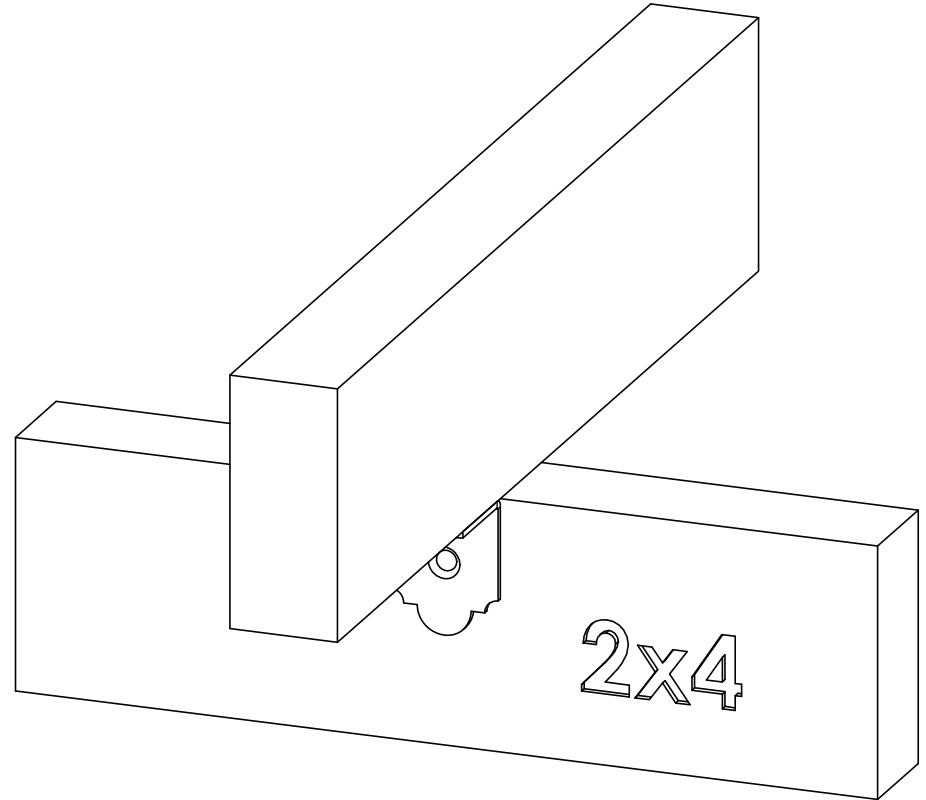
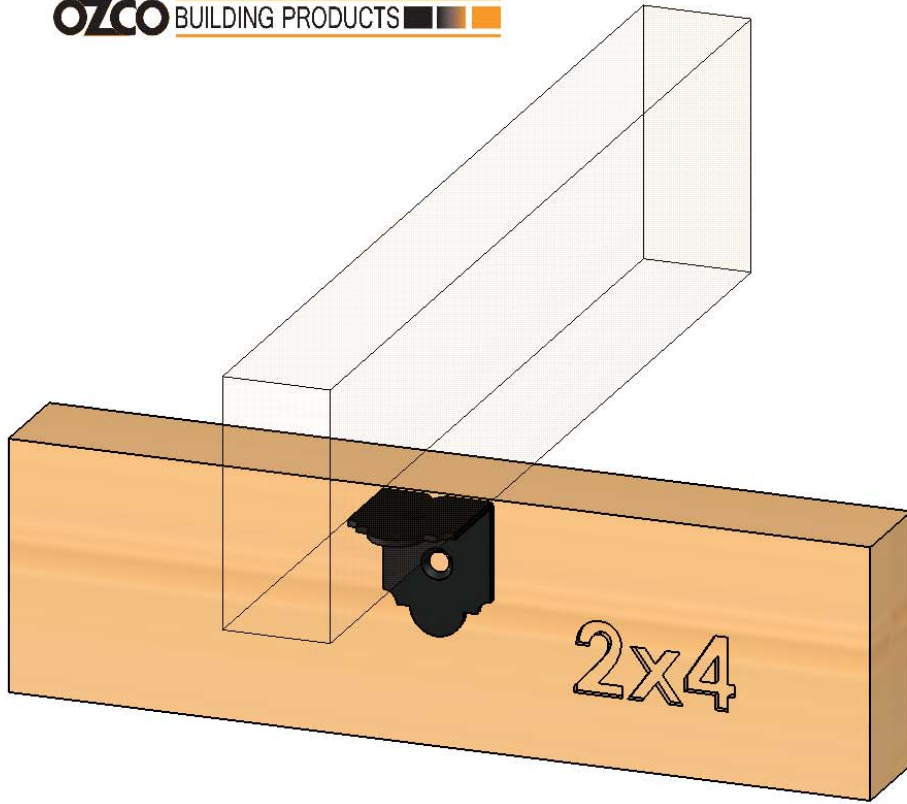


OZCO BUILDING PRODUCTS

Product & Packaging Specs

2" Standard Rafter Clip (RC-LS-2)

Item #: Typical Installation & Basic Assembly



Weight: 0.12 LBS
Scale: 1:2.5
Last updated: 10/10/2016

56617-10

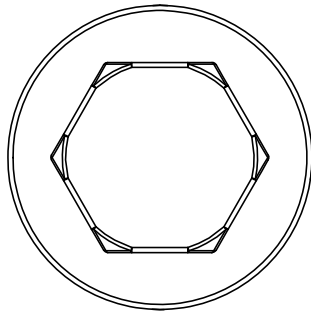


OZCO BUILDING PRODUCTS

This Package Includes



- Requires a 1/4" hex driver bit
- Exclusive high friction design
- No pre-drilling required

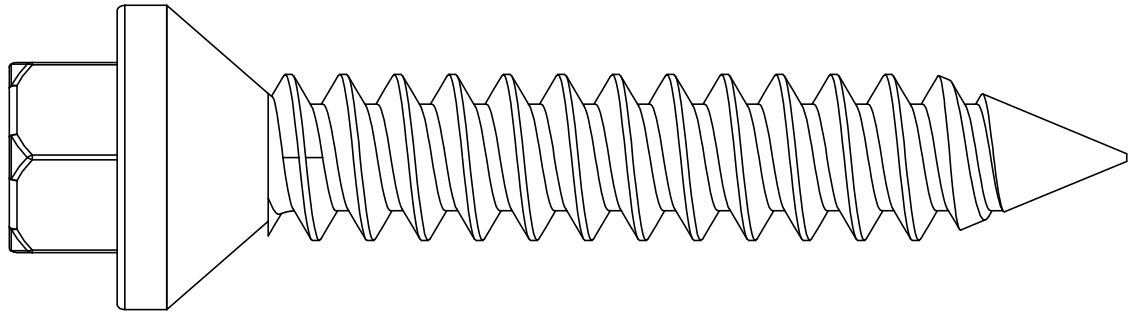
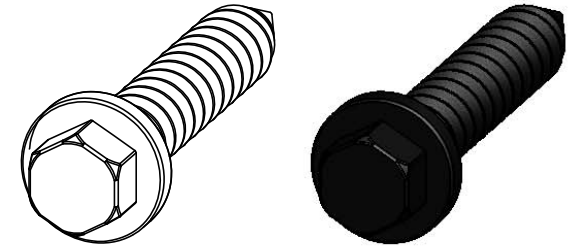


Product & Packaging Specs

Screw, 1-1/2"x1/4"

Black Hex-Head (1-1/2-HX-SCR)

Item #: 80060



Material: Plain Carbon Steel
Finish: Black Zinc
Weight: 0.01 LBS
Scale: 4:1
Last updated: 10/10/2016

56617-10

for additional details, see drawing #80060

V2.00 - Installation Instructions, Specifications and Project Plans are effective 10/10/2016 . This information is updated periodically 6 and should not be relied upon after 2 years from 10/10/2016 . Please visit OZCOBP.com to get current information.

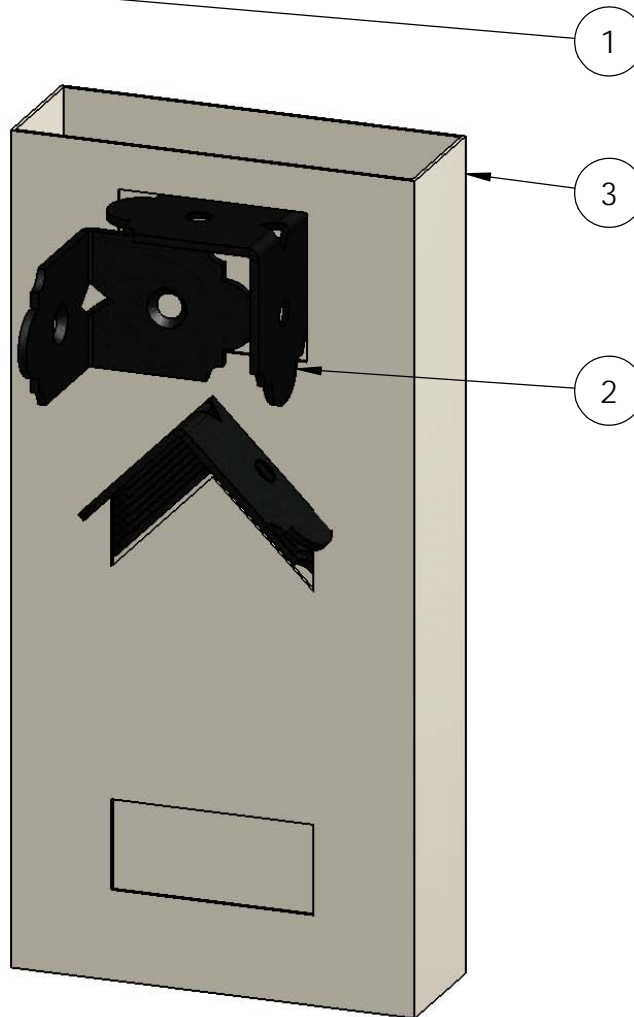


OZCO BUILDING PRODUCTS

Product & Packaging Specs

56617 Packing

Item #: Box packing



ITEM NO.	QTY.	PART NUMBER	DESCRIPTION
1	1	Box, 56617	Box, 56617
2	10	56617-11	Clip, 2" Rafter
3	1	56617 Box Insert	Insert, 56617

screws shall be placed in plastic bag and packed as shown

Weight: 556.49 LBS
 Scale: 1:2
 Last updated: 10/10/2016

56617-10

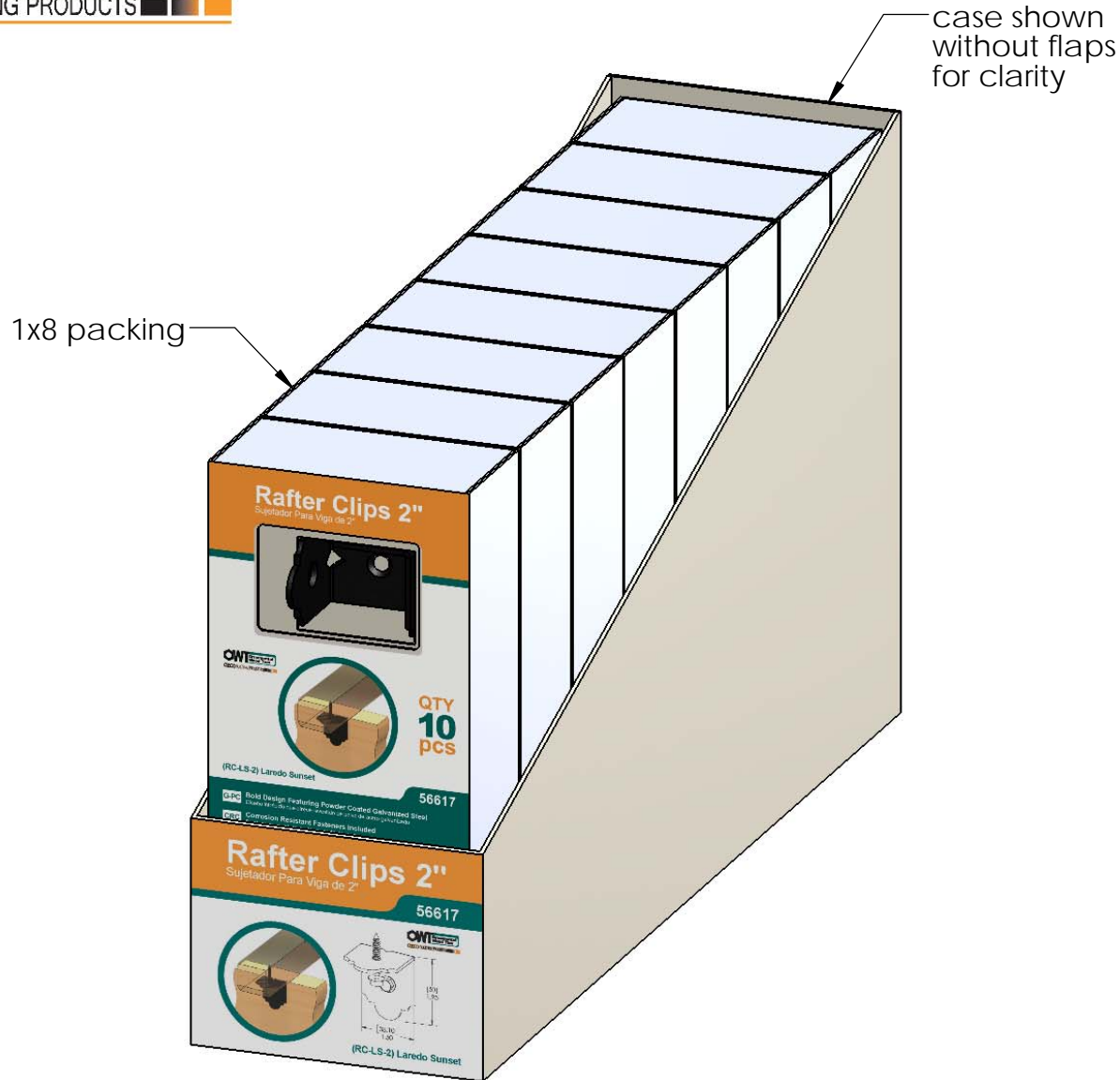


OZCO BUILDING PRODUCTS

Product & Packaging Specs

56617 Packing

Item #: Case packing



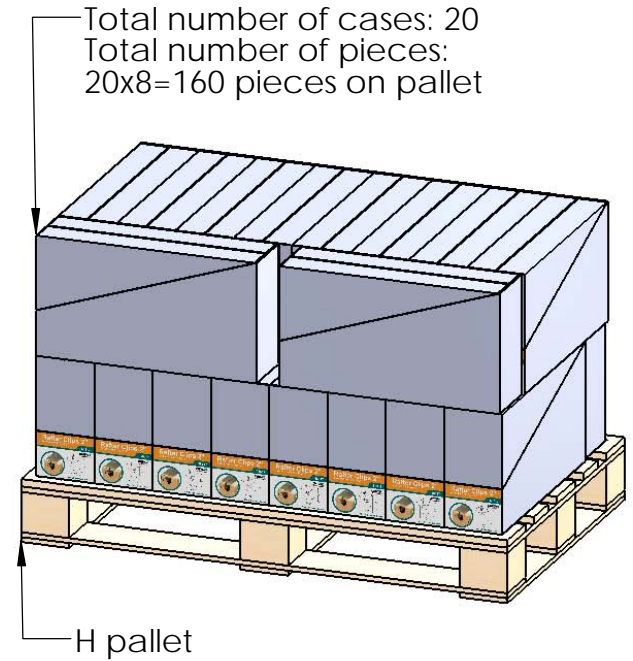
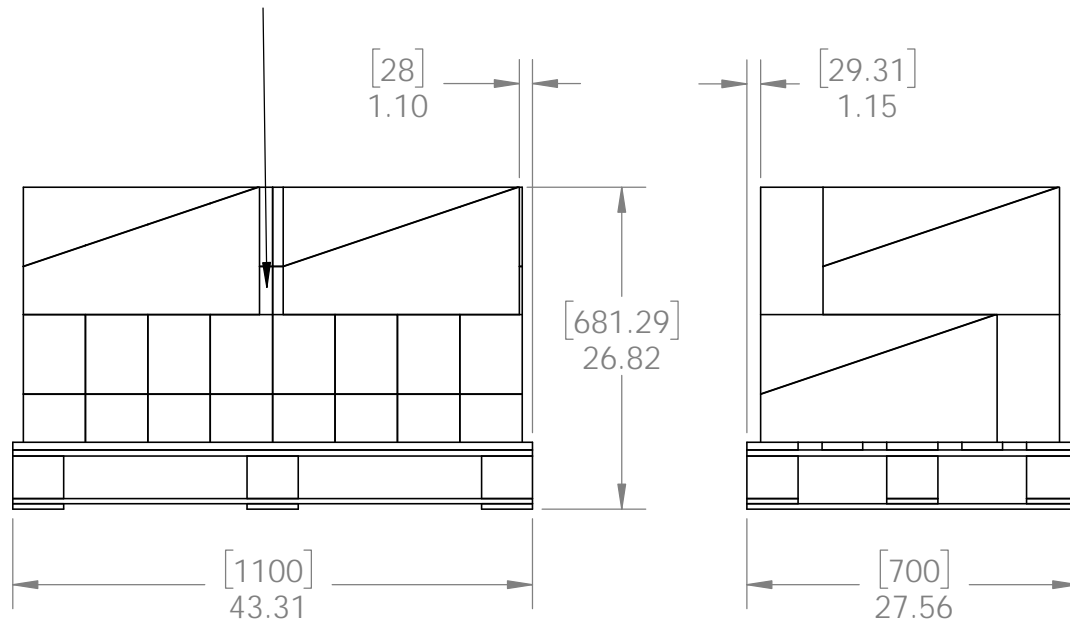
Weight: 16.64 LBS

Scale: 1:3

Last updated: 10/10/2016

56617-10

Item #: **56617** | **RC-LS-2**
 2" Rafter Clips LS
PALLET 160 pcs
 sku#: **56817**
 Weight: 384 lbs
 LOT# _____ Priority# _____



additional pallet packing instructions

- plywood on top layer
- strap to pallet
- clear wrap around boxes

Weight: 384 LBS
 Scale: 1:16
 Last updated: 10/10/2016