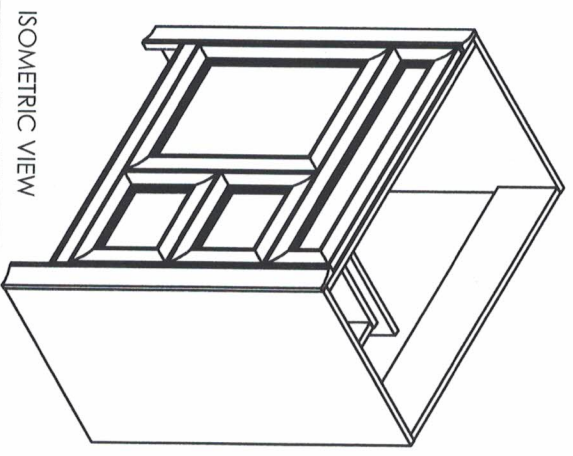
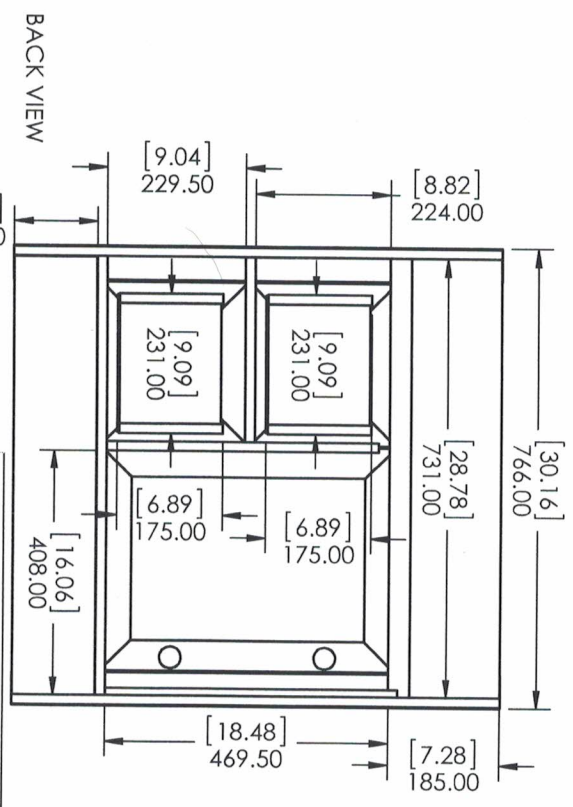
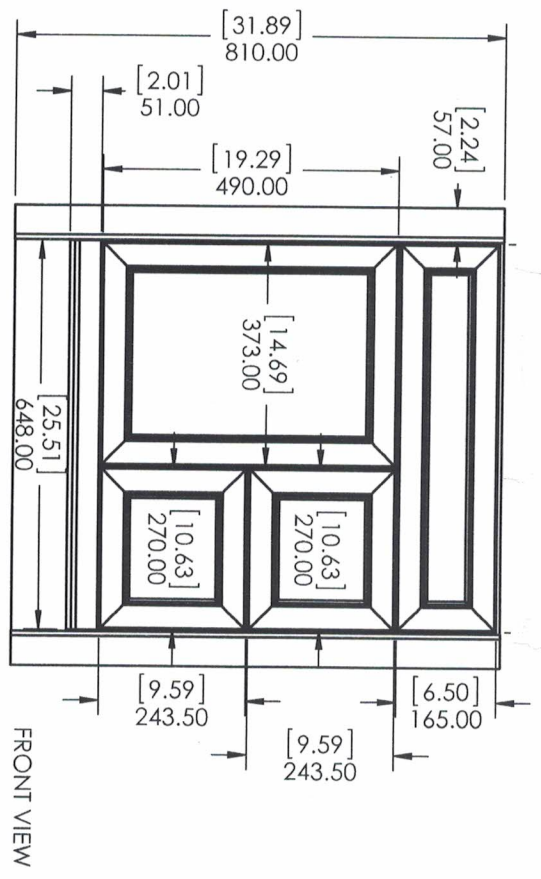
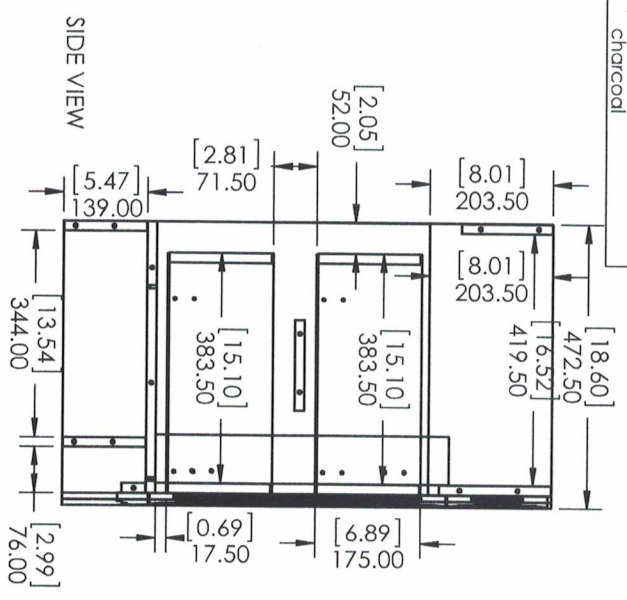


| ITEM ID   | DESCRIPTION                                   |
|-----------|---|
| CD30P2-CG | Candlesby 30.5 x 18.75x 34.125 in<br>Cognac   |
| CD30P2-PW | Candlesby 30.5 x 18.75x 34.125 in pewter      |
| CD30P2-CL | Candlesby 30.5 x 18.75x 34.125 in<br>charcoal |

| REV | ECO# | DESCRIPTION | REV'D BY | CHK'D BY | DATE     | DATE     |
|-----|------|-------------|----------|----------|----------|----------|
| 0   |      | New Release | IASV     | IASV     | 12/17/15 | 12/17/15 |



PROPRIETARY AND CONFIDENTIAL  
 THE INFORMATION CONTAINED IN THIS DRAWING IS THE  
 SOLE PROPERTY OF WOODCRAFTERS HOME PRODUCTS  
 L.L.C. ANY REPRODUCTION IN PART OR AS A WHOLE  
 WITHOUT THE WRITTEN PERMISSION OF WOODCRAFTERS  
 HOME PRODUCTS L.L.C. IS PROHIBITED.

UNLESS OTHERWISE SPECIFIED  
 DIMENSIONS ARE IN mm  
 and TOLERANCES ARE  
 +/- 1.0 (0.04)

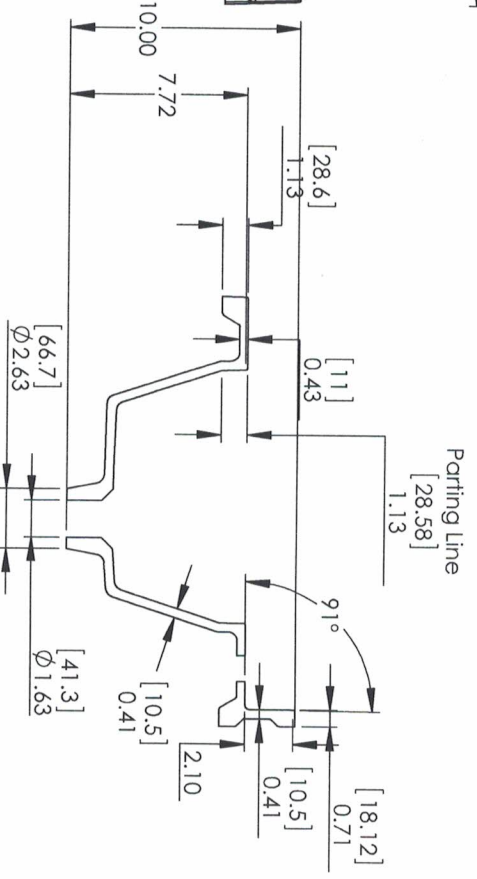
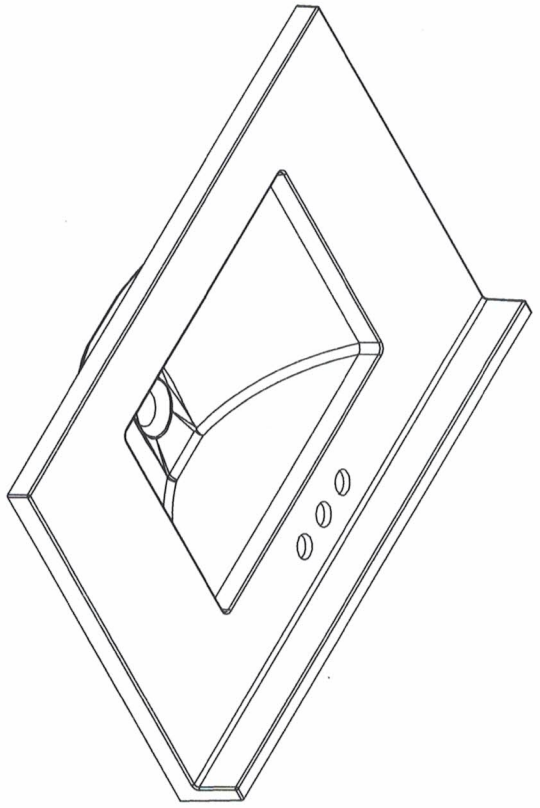
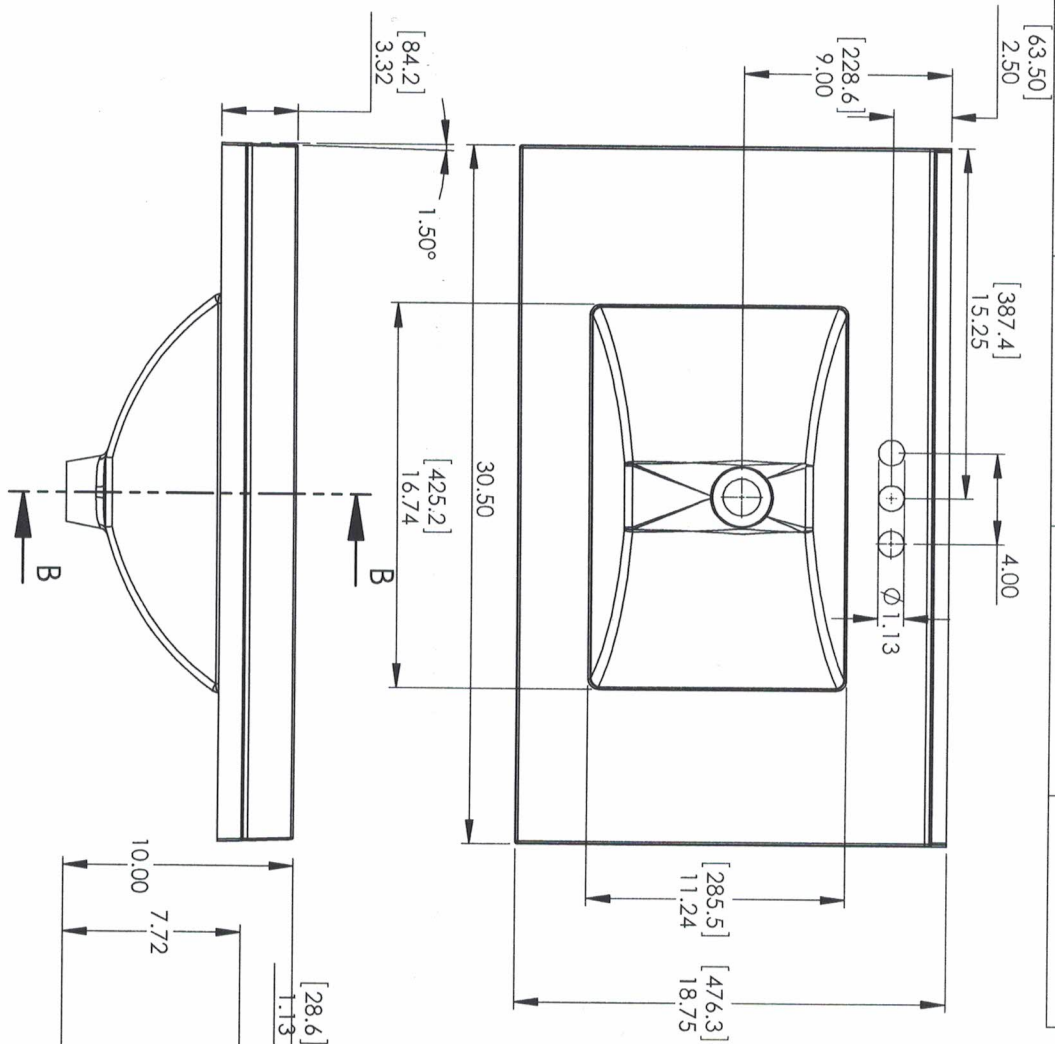
| DRAWN BY: | CHECKED BY: | APPROVED BY: | DATE:    |
|-----------|-------------|--------------|----------|
| IASV      | IASV        | IASV         | 12/17/15 |

TITLE: **ENSAMBLE CANDLESBY**  
**30"**  
 SCALE: 1:10  
 SHEET: **A**  
 PAGE: 1 OF 1  
 REV: **0**



| ID     | Description                          | Technology                     | Status                     |
|--------|--------------------------------------|--------------------------------|----------------------------|
| 595425 | Vtop Rect Bitono<br>30.5x18.75 SS    | Solid Surface /<br>Caramel     | Approved for<br>production |
| 595432 | Vtop Bitono<br>Rect 30.5x18.75<br>SS | Solid Surface /<br>White Smoke | Approved for<br>Production |

| Rev. # | Approved by | Change          |
|--------|-------------|-----------------|
| 1      | V. Sanchez  | New Model Added |



Total Weight: 13.1 Kg

**PROPRIETARY AND CONFIDENTIAL**  
THE INFORMATION CONTAINED IN THIS DRAWING IS THE  
SOLE PROPERTY OF WOODCRAFTERS. ANY  
REPRODUCTION IN PART OR AS A WHOLE WITHOUT THE  
WRITTEN PERMISSION OF WOODCRAFTERS IS PROHIBITED.

DIMENSIONS ARE IN INCHES  
SCALE: 1:8

| SECTION A-B-B |             |
|---------------|-------------|
| DRAWN         | E. Sandoval |
| CHECKED       | E. Sandoval |
| ENG APPR      | V. Sanchez  |
| MFG APPR      | C. Leal     |

**Wood Crafters**  
SHEET 2 OF 3  
SIZE DWG. NO. 2 TONE 30.5 X 18.75 Rect. - FG  
REV. 1