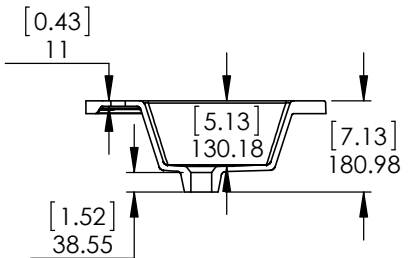
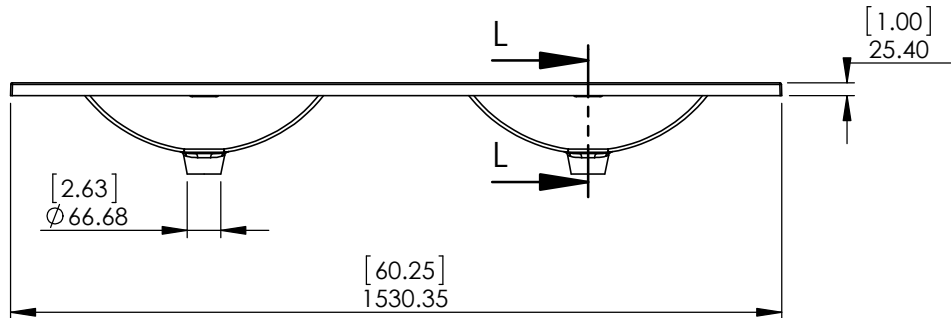
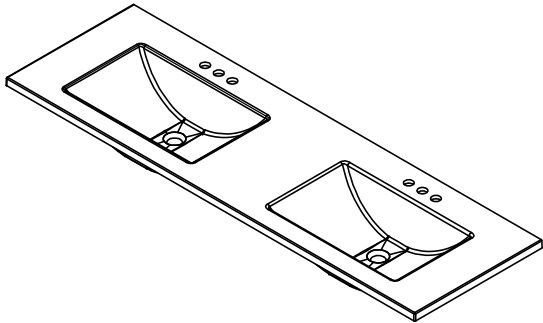
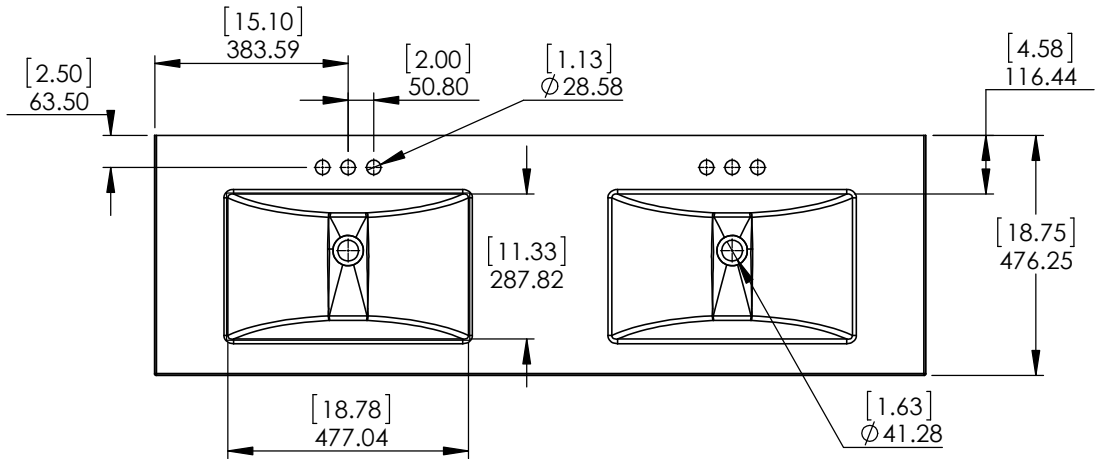


ID	Description	Technology	Status
595550	Vtop Alpine 60.25x18.75 4in White	Solid Colors	Approved for production

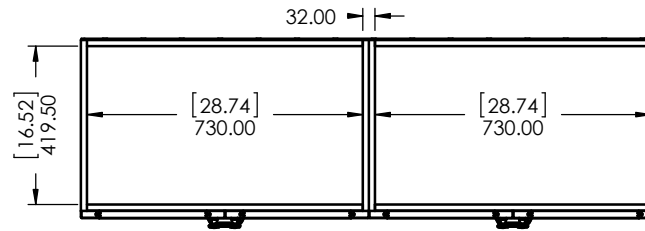
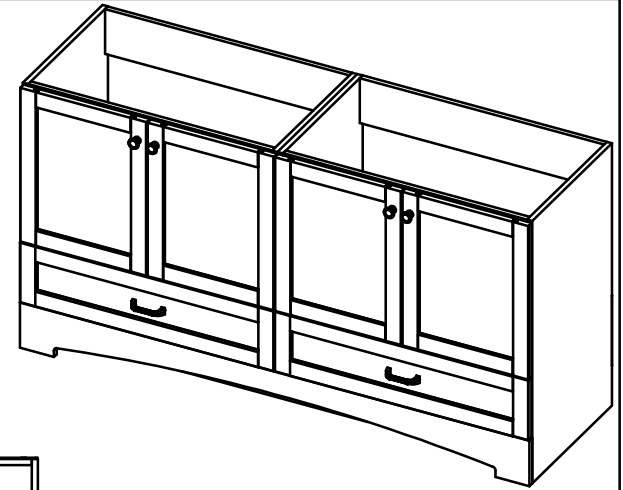
Rev #	Approved by	Change
0	O. Razo	Released



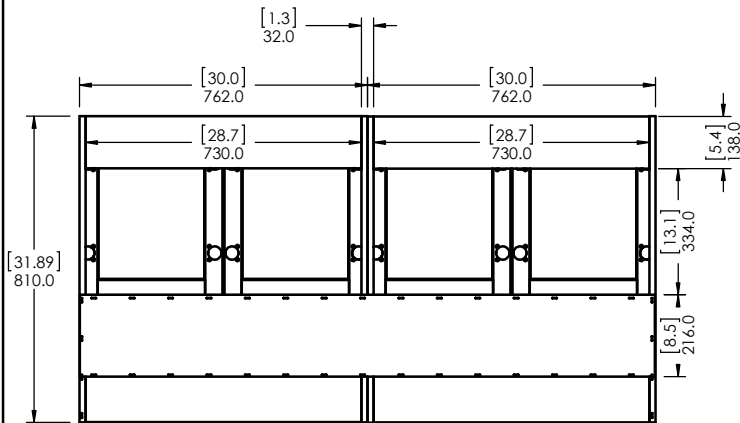
NOTE: MAX. WARPAGE  
TOLERANCE 1/8"

<b>PROPRIETARY AND CONFIDENTIAL</b>		UNLESS OTHERWISE SPECIFIED		NAME		DATE		
THE INFORMATION CONTAINED IN THIS DRAWING IS THE SOLE PROPERTY OF WOODCRAFTERS. ANY REPRODUCTION IN PART OR AS A WHOLE WITHOUT THE WRITTEN PERMISSION OF WOODCRAFTERS IS PROHIBITED.		DIMENSIONS ARE IN MM. AND (INCHES)		DRAWN		O. Razo 2/27/17		
		TOLERANCES ARE + 0.125 [3.175] - 0.125 [-3.175]		CHECKED		R. Rubio 2/27/17		
		SCALE:1:15		ENG APPR.		R. Rubio 2/27/17		
				MFG APPR.		C. Leal 2/27/17		
				SIZE		DWG. NO.		
				A		Alpine 60.25 x 18.75 White 4 in		
							SHEET 1 OF 1	
							REV: 0	

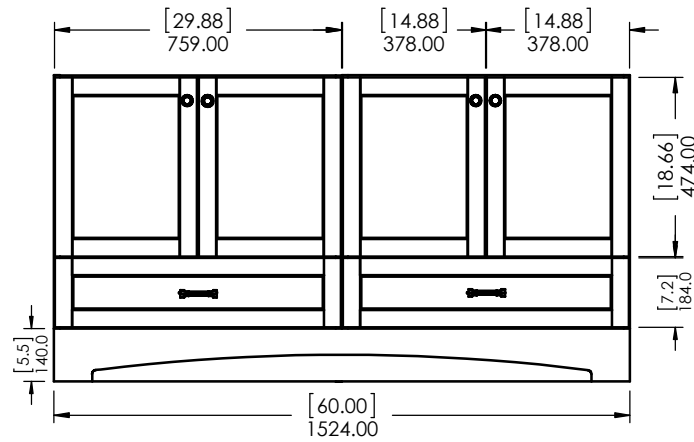




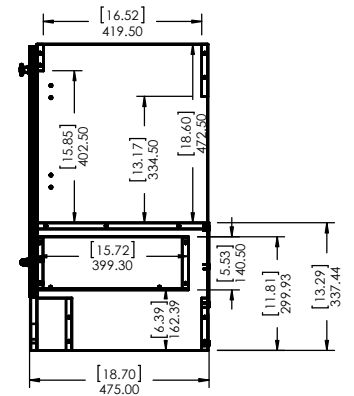
TOP VIEW



BACK VIEW



FRONT VIEW



SIDE VIEW



TITLE:		
<b>LC60P2C-WH</b>		
PART NO:	PAGE	REV:
LC60P2C-WH	1 OF 1	0