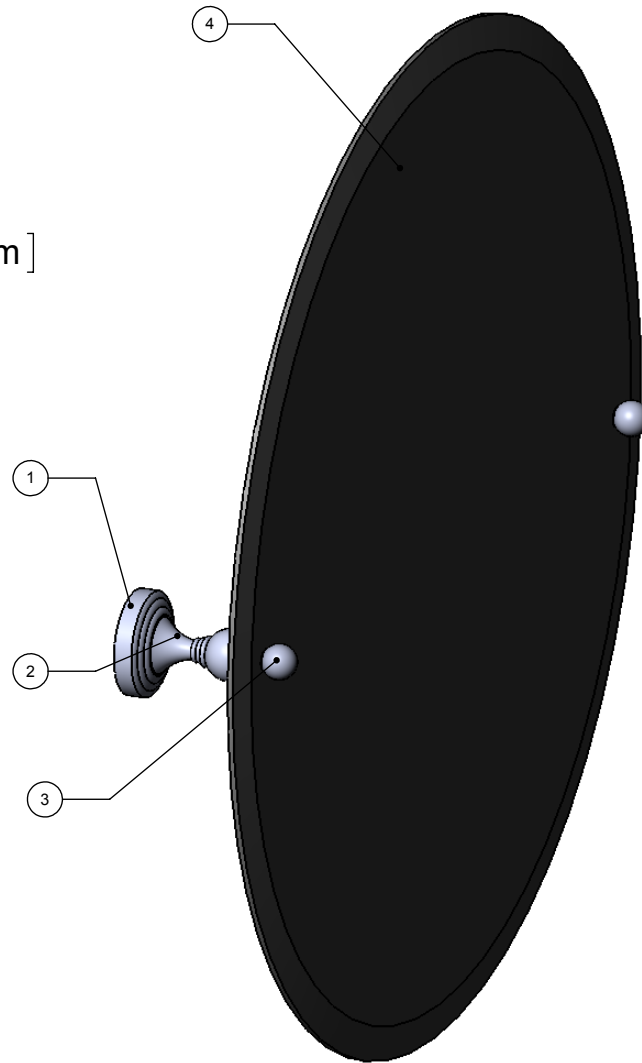
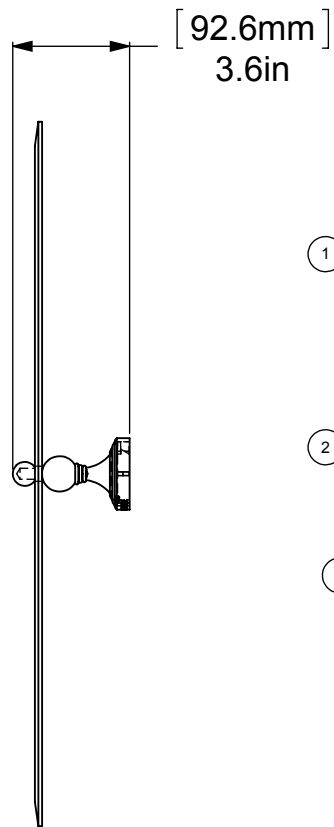
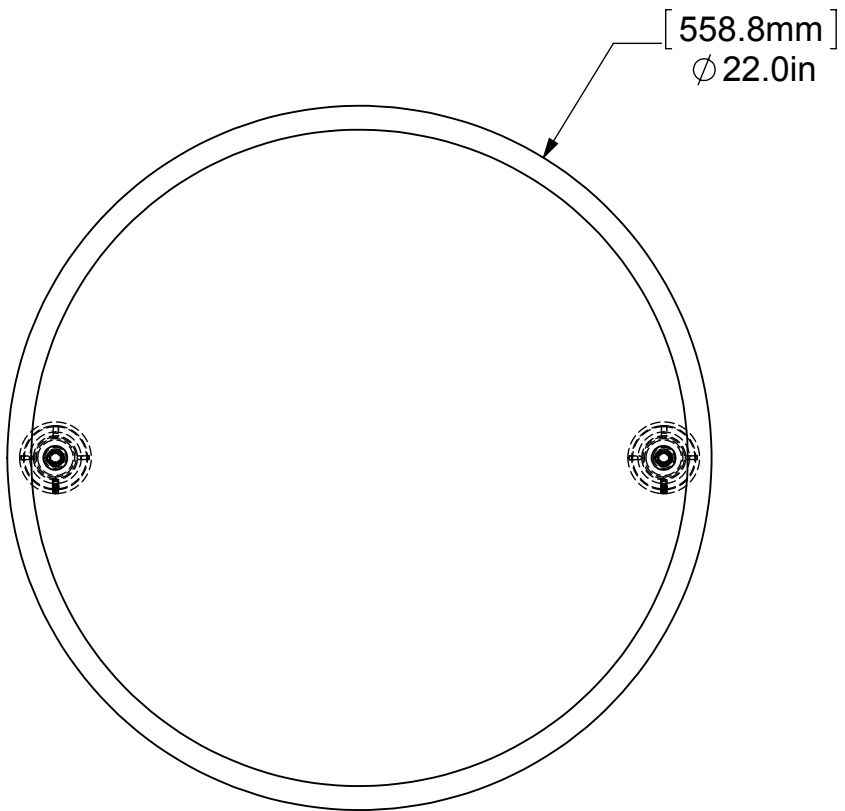


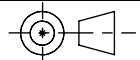
ITEM NO.	P/N	Description	QTY.
1	BPSG	BACKPLATE	2
2	SGRHPOST	Neck	2
3	BL1T-34	END BALL	2
4	MRRD-90	MIRROR	1



UNLESS OTHERWISE STATED

.X	$\pm .3\text{mm}$
.XX	$\pm .15\text{mm}$
.XXX	$\pm .008\text{mm}$

COPYRIGHT © Allied Brass 2016



THIRD ANGLE PROJECTION

DRAWN	6/16/2016	I.M	MATERIAL:	BRASS	FINISH	TBD	
CHECKED	6/16/2016	P.D	DESCRIPTION:	MIRROR	QUANTITY	TBD	
APPROVED	6/16/2016	R.A			DRAWING No.	REV	
					SG-90		
					SCALE	1:6	SHEET: 01