

OPERATOR'S MANUAL

Mid Beam Logsplitter

Record Product Information

Before setting up and operating your new equipment, please locate the model plate on the equipment and record the information in the provided area to the right. You can locate the model plate by looking at the side flange of the engine mounting plate. This information will be necessary, should you seek technical support via our web site, Customer Support Department, or with a local authorized service dealer.

MODEL NUMBER

--	--	--	--	--	--	--	--	--	--	--

SERIAL NUMBER

--	--	--	--	--	--	--	--	--	--	--

Table of Contents

<i>Safe Operation Practices</i>	2	<i>Troubleshooting</i>	10
<i>Assembly & Set-Up</i>	4	<i>Español</i>	13
<i>Controls & Operation</i>	6	<i>Replacement Parts</i>	<i>See Separate Supplement</i>
<i>Service</i>	8	<i>Warranty</i>	<i>See Separate Supplement</i>

⚠ WARNING

Read and follow all safety rules and instructions in this manual before attempting to operate this machine. Failure to comply with these instructions may result in personal injury.

⚠ WARNING

California Proposition 65

Engine Exhaust, some of its constituents and certain vehicle components contain or emit chemicals known to the State of California to cause cancer and birth defects or other reproductive harm.

NOTE: This Operator's Manual covers several models. Features may vary by model. Not all features in this manual are applicable to all models and the model depicted may differ from yours.



SAFE OPERATION PRACTICES

⚠ WARNING

⚠ This symbol points out important safety instructions which, if not followed, could endanger the personal safety and/or property of yourself and others. Read and follow all instructions in this manual before attempting to operate this machine. Failure to comply with these instructions may result in personal injury. When you see this symbol - HEED ITS WARNING!

⚠ DANGER

This machine was built to be operated according to the safe operation practices in this manual. As with any type of power equipment, carelessness or error on the part of the operator can result in serious injury. This machine is capable of amputating hands and feet and throwing debris. Failure to observe the following safety instructions could result in serious injury or death.

Training

1. Read, understand, and follow all instructions on the machine and in the manual(s) before attempting to assemble and operate. Keep this manual in a safe place for future and regular reference and for ordering replacement parts.
2. Be familiar with all controls and their proper operation. Know how to stop the machine and disengage them quickly.
3. Never allow children under 16 years of age to operate this machine. Children 16 and over should read and understand the instructions and safe operation practices in this manual and on the machine and be trained and supervised by an adult.
4. Never allow adults to operate this machine without proper instruction.
5. Many accidents occur when more than one person operates the machine. If a helper is assisting in stacking logs, never activate the control until the helper is a minimum of 10 feet from the machine.
6. Keep bystanders, pets and children at least 10 feet from the machine while it is in operation.
7. Never allow anyone to ride on this machine.
8. Never transport cargo on this machine.
9. Hydraulic log splitters develop high fluid pressures during operation. Fluid escaping through a pin hole opening can penetrate your skin and cause blood poisoning, gangrene or death. Give attention to the following instructions at all times:
 - a. Do not check for leaks with your hand.
 - b. Do not operate machine with frayed, kinked, cracked or damaged hoses, fittings or tubing.
 - c. Stop the engine and relieve hydraulic system pressure by cycling the valve control lever from forward to reverse several times while engine is not running; returning to neutral before repairing or adjusting fittings, hoses, tubing or other system components.
 - d. Do not adjust the pressure settings of the pump or valve, or increase engine governed speed.
10. Leaks can be detected by passing cardboard or wood, while wearing protective gloves and safety glasses, over the suspected area. Look for discoloration of cardboard or wood.
11. If injured by escaping fluid, see a doctor immediately. Serious infection or reaction can develop if proper medical treatment is not administered immediately.
12. Keep the operator zone and adjacent area clear for safe, secure footing.
13. If your machine is equipped with an internal combustion engine and is intended for use near any unimproved forest, brush or grass covered land, the engine exhaust should be equipped with a spark arrestor. Make sure you comply with applicable local, state and federal codes. Take appropriate firefighting equipment with you.
14. This machine should be used for splitting wood only, do not use it for any other purpose.
15. Follow the instructions in the manual(s) provided with any attachment(s) for this machine.

Preparation

1. Always wear safety shoes or heavy boots.
2. Always wear safety glasses or safety goggles when operating or servicing this machine.
3. Never wear jewelry, loose clothing or clothing with hanging cords or ties that might become entangled in moving or rotating parts of the machine.
4. Make sure machine is on flat, level, dry, solid ground before operating.
5. Always block wheels to prevent unintended movement, and lock beam in either the horizontal or vertical position.
6. Always operate this machine from the operator zone(s) specified in the manual. See Figure 1.
7. Logs should be cut with square ends prior to splitting.
8. Use log splitter in daylight or under good artificial light.

Safe Handling of Gasoline

1. To avoid personal injury or property damage use extreme care in handling gasoline. Gasoline is extremely flammable and the vapors are explosive. Serious personal injury can occur when gasoline is spilled on yourself or your clothes, which can ignite. Wash your skin and change clothes immediately.
 - a. Use only an approved gasoline container.
 - b. Extinguish all cigarettes, cigars, pipes and other sources of ignition.
 - c. Never fuel machine indoors.

- d. Never remove gas cap or add fuel while the engine is hot or running.
- e. Allow engine to cool at least two (2) minutes before refueling.
- f. Never overfill the fuel tank. Fill tank to no more than 1/2-inch below bottom of filler neck to provide space for fuel expansion.
- g. Replace gasoline cap and tighten securely.
- h. If gasoline is spilled, wipe it off the engine and equipment and move machine to another area. Wait five (5) minutes before starting the engine.

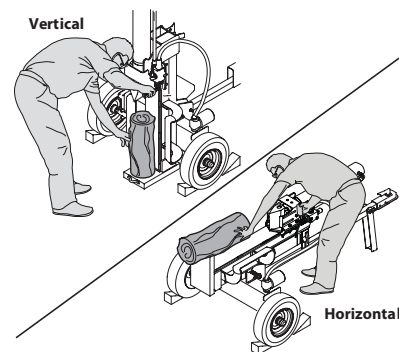


Figure 1

- i. Never store the machine or fuel container inside where there is an open flame, spark or pilot light as on a water heater, space heater, furnace, clothes dryer or other gas appliances.
- j. Allow machine to cool at least five (5) minutes before storing.
- k. Never fill fuel containers inside a vehicle or on a truck or trailer bed with a plastic liner. Always place containers on the ground away from your vehicle before filling.
- l. When practical, remove gas-powered equipment from the truck or trailer and refuel it on the ground. If this is not possible, then refuel such equipment on a trailer with a portable container, rather than from a gasoline dispenser nozzle.
- m. Keep the nozzle in contact with the rim of the fuel tank or container opening at all times until fueling is complete. Do not use a nozzle lock-open device.
- n. Never attempt to make any adjustments while the engine (motor) is running (except where specifically recommended by the manufacturer).

Operation

1. Before starting this machine, review the "Safe Operation Practices". Failure to follow these rules may result in serious injury to the operator or bystanders.
2. Never leave this machine unattended with the engine running.
3. Do not operate machine while under the influence of alcohol, drugs or medication.
4. Never allow anyone to operate this machine without proper instruction.
5. Always operate this machine with all safety equipment in place and working. Make sure all controls are operating properly for safe operation.
6. Operator Zone
 - a. Horizontal Operating Position: Stand on the control lever side of the log splitter and stabilize log as shown, if needed. See Figure 1.
 - b. Vertical Operating Position: Stand in front of the log splitter and stabilize log as shown, if needed. See Figure 1.

⚠ WARNING

When stabilizing log with left hand, remove your hand when the wedge just contacts the log or serious injury may occur.

7. Always keep hands and feet clear of moving parts.
8. When loading a log, always place your hands on the side of the log, not on the ends, and never use your foot to help stabilize a log. Failure to do so may result in crushed or amputated fingers, toes, hand or foot.
9. Use only your right hand to operate the controls.
10. Never attempt to split more than one log at a time.
11. For logs which are not cut square, the least square end of the log should be placed toward the beam and wedge, and the square end placed toward the end plate.
12. When splitting in the vertical position, stabilize the log before moving the control handle. Split as follows:
 - a. Place log on the end plate and turn until it leans against the beam and is stable.

SAFE OPERATION PRACTICES











- b. When splitting extra large or uneven logs, the log must be stabilized with wooden shims or split wood placed between the log and end plate or ground.
13. Always keep fingers away from any cracks that open in the log while splitting. They can quickly close and pinch or amputate your fingers.
14. Keep your work area clean. Immediately remove split wood around the machine so you do not stumble over it.
15. Do not change the engine governor settings or overspeed the engine. The governor controls the maximum safe operating speed of the engine.
16. Never move this machine while the engine is running.
17. This machine should not be towed on any street, highway or public road without checking the existing federal, state or local vehicle requirements. Any licensing or modifications such as taillights, etc., needed to comply, is the sole responsibility of the purchaser. If a "Statement of Origin" is required in your state, see your local dealer.
18. Do not tow machine over 45 mph.
19. See Transporting the Log Splitter section in this manual for proper towing instructions once all federal, local or state requirements are met.
8. Check all safety guards and shields to be sure they are in the proper position. Never operate with safety guards, shields or other protective features removed.
9. The pressure relief valve is preset at the factory. Do not adjust the valve.
10. Never attempt to move this machine over hilly or uneven terrain without a tow vehicle or adequate help.
11. For your safety, replace all damaged or worn parts immediately with original equipment manufacturer's (O.E.M.) parts only. Use of parts which do not meet the original equipment specifications may lead to improper performance and compromise safety!
12. Do not alter this machine in any manner, alterations such as attaching a rope or extension to the control handle, or adding to the width or height of the wedge may result in personal injury.
13. According to the Consumer Products Safety Commission (CPSC) and the U.S. Environmental Protection Agency (EPA), this product has an *Average Useful Life* of seven (7) years, or 130 hours of operation. At the end of the *Average Useful Life* have the machine inspected annually by an authorized service dealer to ensure that all mechanical and safety systems are working properly and not worn excessively. Failure to do so can result in accidents, injuries or death.

Maintenance & Storage

1. Stop the engine, disconnect the spark plug and ground it against the engine before cleaning or inspecting the machine.
2. Stop the engine and relieve hydraulic system pressure by cycling the valve control lever from forward to reverse several times while engine is not running; returning to neutral before repairing or adjusting fittings, hoses, tubing or other system components.
3. Clear debris from movable parts, but only when the power source is shut off.
4. To prevent fires, clean debris and chaff from the engine and muffler areas. If the engine is equipped with a spark arrestor muffler, clean and inspect it regularly according to manufacturer's instructions. Replace if damaged.
5. Periodically check that all nuts and bolts, hose clamps and hydraulic fittings are tight to be sure equipment is in safe working condition.
6. If the fuel tank has to be drained, do this outdoors.
7. Always refer to the Operator's Manual for important details if the machine is to be stored for an extended period.

Safety Symbols

This page depicts and describes safety symbols that may appear on this product. Read, understand and follow all instructions on the machine before attempting to assemble and operate.

Symbol	Description
	READ THE OPERATOR'S MANUAL(S) Read, understand and follow all instructions in the manual(s) before attempting to assemble and operate.
	WARNING — CRUSHING HAZARD Keep hands away from wedge, end plate, partially split wood and moving parts.
	BYSTANDERS Keep bystanders, helpers and children at least 10 feet away.
	SINGLE OPERATOR Only one person should operate the machine at a time. The adult who loads and stabilizes the log must be the person who operates the control handle.
	WARNING — PRESSURIZED FLUID Never check for hose leaks with your hands. High pressure fluid can escape through a pin hole leak and cause serious injury by puncturing the skin and causing blood poisoning.
	EYE PROTECTION Always wear safety glasses or safety goggles when operating this machine.
	WARNING — MOVING WEDGE Keep hands away from wedge and moving parts.
	WARNING — GASOLINE IS FLAMMABLE Allow the engine to cool at least two (2) minutes before refueling.
	WARNING — CARBON MONOXIDE Never run an engine indoors or in a poorly ventilated area. Engine exhaust contains carbon monoxide, an odorless and deadly gas.
	WARNING — HOT SURFACE Engine parts, especially the muffler, become extremely hot during operation. Allow engine and muffler to cool before touching.

Spark Arrestor

WARNING

This machine is equipped with an internal combustion engine and should not be used on or near any unimproved forest-covered, brush covered or grass-covered land unless the engine's exhaust system is equipped with a spark arrestor meeting applicable local or state laws (if any).

If a spark arrestor is used, it should be maintained in effective working order by the operator. In the State of California the above is required by law (Section 4442 of the California Public Resources Code). Other states may have similar laws. Federal laws apply on federal lands.

A spark arrestor for the muffler is available through your nearest engine authorized service dealer or contact the service department, P.O. Box 361131 Cleveland, Ohio 44136-0019.

WARNING

Your Responsibility — Restrict the use of this power machine to persons who read, understand and follow the warnings and instructions in this manual and on the machine. SAVE THESE INSTRUCTIONS!

ASSEMBLY & SET-UP

Thank You

Thank you for purchasing this product. It was carefully engineered to provide excellent performance when properly operated and maintained.

Please read this entire manual prior to operating the equipment. It instructs you how to safely and easily set up, operate and maintain your machine. Please be sure that you, and any other persons who will operate the machine, carefully follow the recommended safety practices at all times. Failure to do so could result in personal injury or property damage.

All information in this manual is relative to the most recent product information available at the time of printing. Review this manual frequently to familiarize yourself with the machine, its features and operation. Please be aware that this Operator's Manual may cover a range of product specifications for various models. Characteristics and features discussed and/or illustrated in this manual may not be applicable to all models. We reserve the right to change product specifications, designs and equipment without notice and without incurring obligation.

If applicable, the power testing information used to establish the power rating of the engine equipped on this machine can be found at www.opei.org or the engine manufacturer's web site.

If you have any problems or questions concerning the machine, phone your local authorized service dealer or contact us directly. Customer Support telephone numbers, website address and mailing address can be found in the separate supplement. We want to ensure your complete satisfaction at all times.

Throughout this manual, all references to *right* and *left* side of the machine are observed from the operating position.

The engine manufacturer is responsible for all engine-related issues with regards to performance, power-rating, specifications, warranty and service. Please refer to the engine manufacturer's Owner's/Operator's Manual, packed separately with your machine, for more information.

Contents of Carton

- Log Splitter
- Tongue Assembly
- Operator's Manual
- Engine Operator's Manual

WARNING

Use extreme caution unpacking this machine. Some components are very heavy and will require additional people or mechanical handling equipment.

NOTE: All references in this manual to the left or right side and front or back of the log splitter are from the operating position only. Exceptions, if any, will be specified.

IMPORTANT: A minimum of two people are recommended to assemble this unit.

Unpacking & Assembling the Log Splitter

TOOLS NEEDED: Safety glasses, leather gloves, wire cutters, pry bar and/or claw hammer.

1. Use a pry bar or claw hammer to loosen and remove the top of the crate.
2. Use a pry bar or claw hammer to remove the sides of the crate, beginning with the short sides (or left and right side of the log splitter). Set the sides of the crate aside to avoid injury.
3. A cable tie attaches the tongue assembly to the inside, front of the crate. Cut the cable tie to remove the tongue.
4. Remove the large plastic cover and discard.

WARNING

Do NOT remove any wood or cut any straps securing the log splitter or its components to the log splitter or the crate at this time. Only remove straps and/or wood when instructed to do so.

5. Inspect the bottom of the crate for any protruding staples or wood splinters and remove.
6. Remove any loose parts included with the log splitter (i.e. Operator's Manual, etc.).
7. Remove the spring clip and clevis pin from the jack stand on the tongue and then pivot the jack stand towards the ground into the operating position. See Figure 2.
8. Secure the jack stand in position with the clevis pin and spring clip. See Figure 2.
9. With the log splitter still secured to the bottom of the crate, remove two hex bolts and hex nuts from the tank bracket and remove the piece of wood inside the tank brackets. See Figure 3.
10. Align the holes in the tongue with the holes in the tank bracket and secure with the hardware just removed. See Figure 3.

NOTE: The high pressure hose, which runs from the gear pump to the bottom of the control valve, must be above the tongue assembly.

11. The log splitter is shipped with the beam in a vertical position. Remove any bolts or straps securing the end plate to the bottom of the crate.
12. Pull out the vertical beam lock, rotate it back, and pivot the beam to the horizontal position until it locks. Be sure to avoid any possible pinch points. See Figure 4.

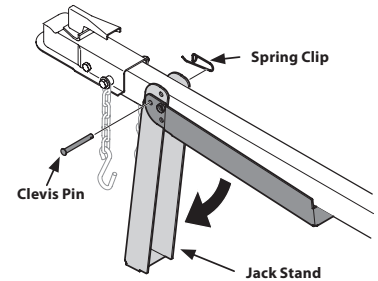


Figure 2

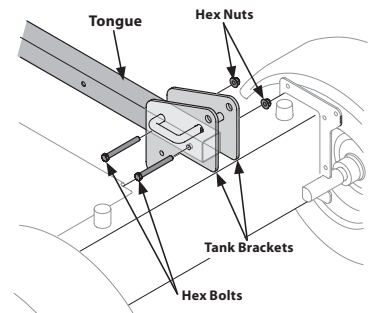


Figure 3

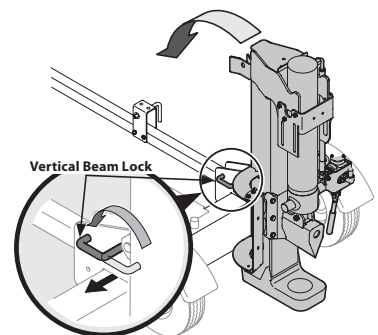


Figure 4

WARNING

Take extra care when raising and lowering the beam as it is heavy. Having a second person assist with raising or lowering the beam is recommended. Be sure to keep hands away from any possible pinch points.

13. Remove the wood between the wedge and the end plate by cutting the cable tie that secures it. Cut the strap near the hose on the front of the cylinder that secures it to the beam weld bracket. Be careful not to damage the hose.
14. Disconnect the dislodger from the beam weld bracket by removing the six hex screws. See Figure 5.

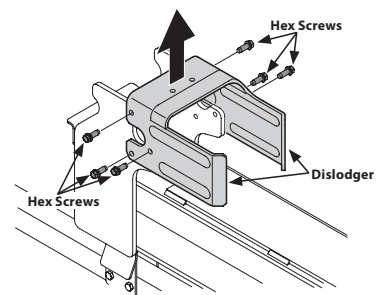


Figure 5

ASSEMBLY & SET-UP

15. Disconnect the log tray from the beam on the control valve side by removing the two hex washer screws that secure it to the beam weld brackets and the two hex washer screws in the beam. See Figure 6.

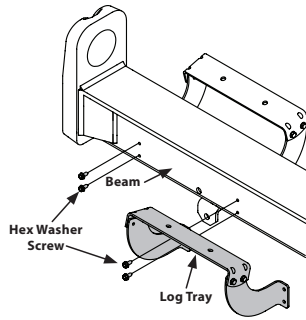


Figure 6

16. Lift and slide the cylinder up to the top of beam and into the weld brackets. See Figure 7.

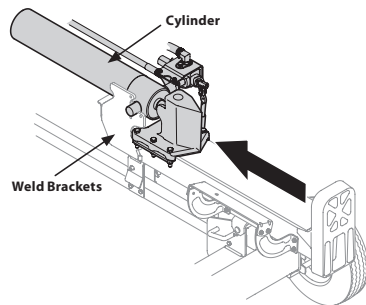


Figure 7

17. Attach the dislodger over the wedge assembly and secure it to the weld brackets with the hardware removed in step 14. See Figure 5.

NOTE: Lift up on the cylinder when installing the hex screws.

NOTE: Once the six hex screws are tightened, there may be a slight gap between the dislodger and the weld brackets. This gap is normal.

18. Reattach the log tray to the control valve side of the beam, aligning the holes in the tray with the holes in the beam and re-installing the hardware removed in step 15. See Figure 8.

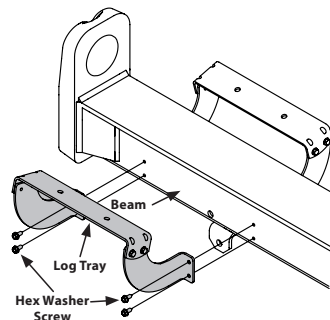


Figure 8

19. Remove any staples on the bottom of the crate that may puncture the tires.

20. Cut the metal strap securing the log splitter to the bottom of the crate and remove the wood under the engine and/or any other wood, then roll the log splitter off the bottom of the shipping crate.

21. The control handle is shipped hanging from the valve on the handle link.

22. Remove the clevis pin and bow-tie cotter pin from the control handle. See Figure 9.

23. Rotate the control handle into the operating position and secure with the clevis pin and bow-tie cotter pin removed in step 22. See Figure 9.

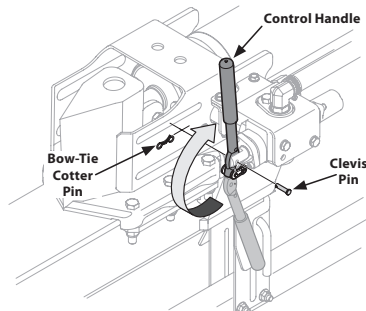


Figure 9

Set-Up

Gas and Oil Fill-Up

Service the engine with gasoline and oil as instructed in the engine manual packed with your log splitter. Read the instructions carefully.

WARNING

Use extreme care when handling gasoline. Gasoline is extremely flammable and the vapors are explosive. Never fuel the machine indoors or while the engine is hot or running.

NOTE: Your log splitter may be shipped with motor oil in the engine. You **MUST** check the oil level before operating. Be careful not to overfill. Gasoline can be added to the engine when the log splitter is in either the horizontal or vertical position. However, it may be easier when the splitter is in the vertical position.

Tire Pressure

The max recommended operating pressure is 30 psi. Do not -- under any circumstances -- exceed the manufacturer's recommended psi. Maintain equal pressure on all tires.

WARNING

Excessive pressure when seating beads may cause tire/rim assembly to burst with force sufficient to cause serious injury.

Preparing the Log Splitter

1. Lubricate the beam area (where the splitting wedge will slide) with engine oil. Do not use grease.
2. Remove the vented reservoir dipstick, which is located next to the hydraulic filter on top of the reservoir tank. See Figure 10.
3. Fill the reservoir tank with approved hydraulic fluid which includes Shell Tellus[®] S2 M 32 Hydraulic Fluid, Dexron[®] III/Mercon[®] Automatic Transmission Fluid, Pro-Select[™] AW-32 Hydraulic Oil or 10WAW-ISO Viscosity Grade 32 Hydraulic Oil. It is not recommended that fluids be mixed.

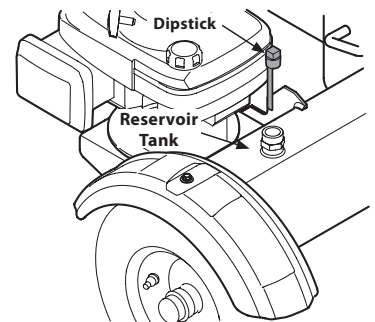


Figure 10

NOTE: The reservoir tank has a capacity of approximately 3 gallons (11.3562 liters) and the entire hydraulic system has a capacity of 4.75 gallons (17.9807 liters).

4. Check the fluid level using the dipstick. Do not overfill.
5. Replace the vented dipstick securely, tightening it until the top of the threads are flush with top of the pipe.
6. Disconnect the spark plug and prime the pump by pulling the recoil starter as far as it will go. Repeat approximately 10 times.
7. Reconnect the spark plug wire and start the engine following the instructions in the Engine Operator's Manual.
8. Use the control handle to engage the wedge to the farthest extended position. Then retract the wedge.
9. Refill the reservoir within range marked on the dipstick. See Figure 11.
10. Extend and retract the wedge 12 complete cycles to remove trapped air in the system (the system is "self-bleeding").

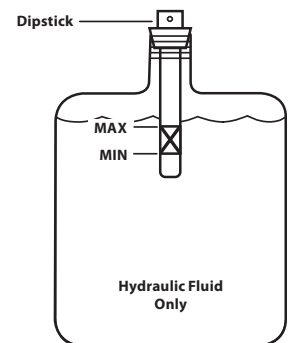


Figure 11

WARNING

Much of the original fluid has been drawn into the cylinder and hoses. Make certain to refill the reservoir to prevent damage to the hydraulic pump. Failure to refill the tank will void the log splitter's warranty.

NOTE: Some fluid may overflow from the vent plug as the system builds heat and the fluid expands and seeks a balanced level. Do not operate the log splitter without the proper amount of hydraulic fluid in the reservoir tank.

CONTROLS & OPERATION

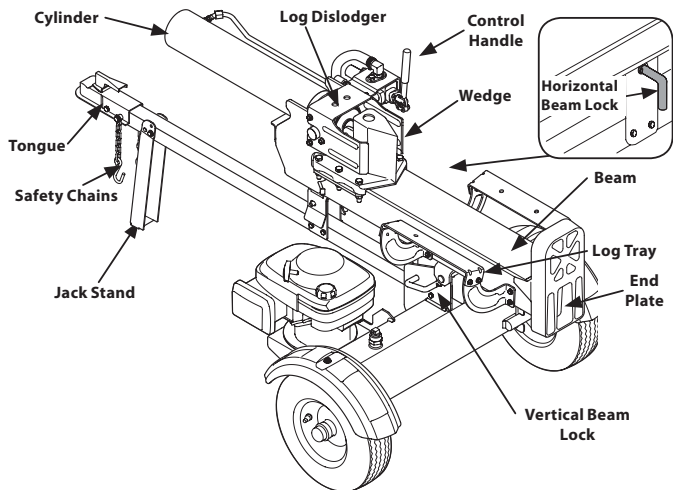


Figure 12

NOTE: This Operator's Manual covers several models. Features may vary by model. Not all features in this manual are applicable to all models and the model depicted may differ from yours.

Engine Controls

See the Engine Operator's Manual for the location and function of the controls on the engine.

Beam Locks

The beam locks are used to secure the beam in either the horizontal position or the vertical position. The vertical beam lock is located next to the engine. The horizontal beam lock is located on the beam support latch bracket.

Control Handle

Use the control handle to move the log splitter wedge forward and backward along the beam. It has three positions; FORWARD, NEUTRAL and REVERSE. See Using the Control Handle section for instructions.

Wedge

The wedge is used to split the wood.

Log Dislodger

The log dislodger is designed to remove any partially split wood from the wedge while it is retracting. This may occur while splitting large diameter wood or freshly cut wood.

Log Tray

The log tray is designed to stabilize the log after it is split.

Tongue

The tongue is used to attach to a towing vehicle for transportation.

End Plate

The end plate holds the log in place while the wedge splits it.

Safety Chains

The safety chains are hooked to the towing vehicle for transportation.

NOTE: This Operator's Manual covers several models. Features may vary by model. Not all features in this manual are applicable to all models and the model depicted may differ from yours.

Pre-Start Checklist

1. Remove the vented dipstick and check hydraulic fluid level. Refill if necessary. Approved fluids include Shell Tellus® S2 M 32 Hydraulic Fluid, Dexron® III/Mercon® Automatic Transmission Fluid, Pro-Select™ AW-32 Hydraulic Oil or 10WAW-ISO Viscosity Grade 32 Hydraulic Oil. Check the engine oil level. Refill if necessary.
2. Check the engine oil level. Refill if necessary.
3. Fill up with gasoline if necessary.
4. Lubricate the beam area where the splitting wedge will slide with engine oil using a clean rag. Do not use grease to lubricate. Make sure to lubricate both the front and the back of the beam face.
5. Attach the spark plug wire to the spark plug.

Starting the Engine

Refer to the Engine Operator's Manual for detailed starting instructions.

⚠ WARNING

Read, understand and follow all the instructions and warnings on the machine and included in the Operator's Manuals before operating.

Using the Log Splitter

⚠ WARNING

Wear work gloves, safety shoes, ear protection and safety glasses when operating the log splitter. Ensure safe footing.

Operating Positions

1. Place the log splitter on flat, level, dry, solid ground.
2. Block the front and back of both wheels. See Figure 13.
3. Place the beam in either the horizontal or vertical position and lock into place.

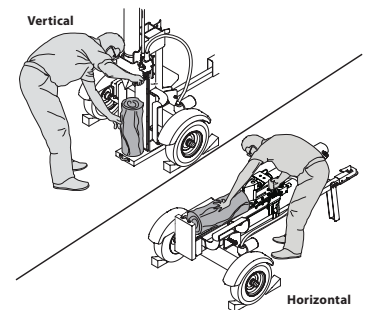


Figure 13

⚠ WARNING

Take extra care when raising and lowering the beam as it is heavy. Having a second person assist with raising or lowering the beam is recommended. Be sure to keep hands away from any possible pinch points.

4. To place the beam in the vertical position, proceed as follows:

⚠ WARNING

Always use the log splitter in the vertical position when splitting heavy logs.

- a. Pull the horizontal beam lock out to release the beam and pivot the beam to the vertical position.
 - b. To lock the beam in the vertical position, pull out on the vertical beam lock and rotate it to secure the beam. See Figure 14.
5. To place the beam in the horizontal position, proceed as follows:

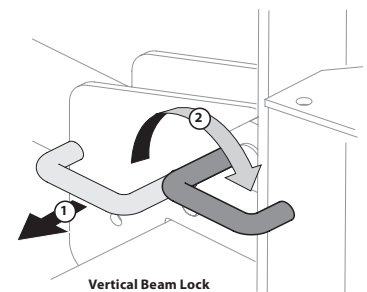


Figure 14

- a. Pull the vertical beam lock out and rotate it down. Pivot the beam to the horizontal position.
- b. The horizontal beam lock is self-locking. The spring loaded lock will snap into place when the beam is lowered into position. See Figure 15.

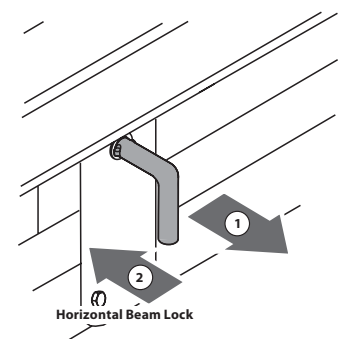


Figure 15

CONTROLS & OPERATION

Using the Control Handle

The control handle has three positions. See Figure 16.

- **FORWARD** — Move the control handle to the FORWARD position to move wedge toward the log to split.

NOTE: The control handle will return to the NEUTRAL position as soon as the handle is released (FORWARD position only).

- **NEUTRAL** — Release the control handle or move the lever to the NEUTRAL position to stop the wedge movement.

- **REVERSE** — Move the control handle to the REVERSE position to return the wedge toward the cylinder. The control handle stays in the REVERSE position and returns to the NEUTRAL position automatically when fully retracted. Do not hold the handle in the REVERSE position when fully retracted.

NOTE: The REVERSE position may also be moved back to the NEUTRAL position manually, if necessary.

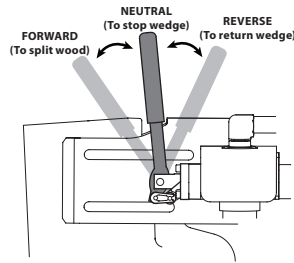


Figure 16

! WARNING

If the control handle on your log splitter is not functioning properly, STOP USE IMMEDIATELY and contact an authorized service dealer.

! WARNING

Do NOT attempt to service, repair or replace control valve. Contact an authorized service dealer.

! WARNING

Do NOT attempt to adjust or modify the control valve or the hydraulic system from its original settings or manufacture in any way.

Splitting the Wood

1. Start the engine as instructed in the Engine Operator's Manual.
2. Place the log against the end plate and only split the wood in the direction of the grain.
3. To stabilize the log, place your left hand on the side of the log opposite the beam as shown in Figure 13.

! WARNING

Never place a hand on the ends of the log, between the log or end plate and the splitting wedge.

! WARNING

Only one operator permitted. The operator who loads and stabilizes the log, must be the adult who operates the control handle.

4. Move the control handle to the FORWARD position to split the wood.
5. Remove left hand from the side of the log once wedge just contacts the log. Continue moving control handle forward to split the log.
6. Release the control handle to stop the wedge movement.
7. Move the control handle to the REVERSE position to return the wedge.
8. To remove partially split wood from wedge, move the control handle to the REVERSE position until the wedge is fully retracted to allow split wood portion to contact the log dislodger.

! WARNING

Never remove partially split wood from the wedge with your hands. Fingers may become trapped between the split wood. Once removed from the wedge with the log dislodger, split the wood from the opposite end or in another location.

Transporting the Log Splitter

! WARNING

Do not tow faster than 45 mph and check the local, state and federal requirements before towing on any public road. Always check the tire condition before towing.

1. Lower the beam to its horizontal position. Make certain the beam is locked securely with the horizontal beam lock.
2. Remove the spring clip and clevis pin from the jack stand.
3. Support the tongue and pivot the jack stand up against the tongue. See Figure 17.
4. Secure with the spring clip and clevis pin previously removed in Step 2. See Figure 17.
5. Attach the coupler hitch to a class I or higher 2" ball on the towing vehicle; latch securely.
 - a. If the coupler hitch does not fit on the ball, turn the adjustment nut one turn counter-clockwise.
 - b. If the coupler hitch is too loose on the ball, turn the adjustment nut one turn clockwise. Then recheck and adjust accordingly.
6. Connect the safety chains to the towing vehicle.
7. Plug in the lights (if equipped) to the tail light connector on the tow vehicle.
8. Move fuel shut-off valve to OFF position.

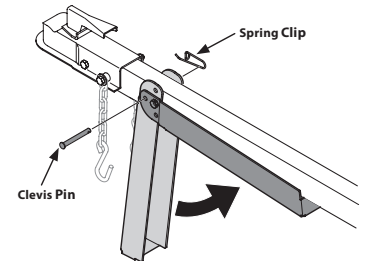


Figure 17

NOTE: Use caution when backing up, a spotter outside the vehicle is recommended.

Operating Tips

Always:

1. Use clean fluid and check the fluid level regularly.
2. Use an approved hydraulic fluid. Approved fluids include Shell Tellus® S2 M 32 Hydraulic Fluid, Dexron® III/Mercon® Automatic Transmission Fluid, Pro-Select™ AW-32 Hydraulic Oil or 10WAW-ISO Viscosity Grade 32 Hydraulic Oil. Check the engine oil level. Refill if necessary.
3. Use a filter (clean or replace regularly).
4. Use a breather cap on the fluid reservoir.
5. Make sure the pump is mounted and aligned properly.
6. Use a flexible "spider" type coupling between the engine and pump drive shafts.
7. Keep the hoses clear and unblocked.
8. Bleed the air out of hoses before operating.
9. Flush and clean the hydraulic system before restarting after servicing.
10. Use liquid thread sealant on all hydraulic fittings.
11. Allow time for the engine to warm-up before splitting wood.
12. Prime the pump before initial start-up by cranking the engine with the spark plug disconnected.
13. Split wood along the grain (lengthwise) only.

Never:

1. Use when fluid is below 20° F or above 150° F.
2. Use a solid engine/pump coupling.
3. Operate through the relief valve for more than five (5) seconds.
4. Attempt to adjust unloading or relief valve settings.
5. Operate with air in hydraulic system.
6. Use Teflon tape on hydraulic fittings.
7. Attempt to cut the wood across the grain.
8. Attempt to remove partially split wood from the wedge with your hands. Fully retract the wedge to dislodge wood with the log dislodger.

SERVICE

⚠ WARNING

Do NOT make any adjustments without first stopping the engine, disconnecting the spark plug wire and grounding it against the engine. Always wear safety glasses during operation or while performing any adjustments or repairs.

Engine

Refer to the Engine Operator's Manual packed with your log splitter for all engine maintenance.

NOTE: When draining oil from the engine on this log splitter, shield the hoses from any oil that may run down the frame and drip onto the hoses. Thoroughly wipe any residual oil off the log splitter and hoses after completing service.

Tire Pressure

The max recommended operating pressure is 30 psi. Do not, under any circumstances, exceed the manufacturer's recommended psi. Maintain equal pressure on all tires.

⚠ WARNING

Excessive pressure when seating beads may cause the tire/rim assembly to burst with force sufficient to cause serious injury. Refer to the sidewall of the tire for the recommended pressure.

Hydraulic Fluid

Check the hydraulic fluid level in the log splitter reservoir tank before each use. Maintain the fluid level within the range specified on the dipstick at all times.

Change the hydraulic fluid in the reservoir every 100 hours of operation. The filter should also be changed with each hydraulic fluid change. Follow the steps below:

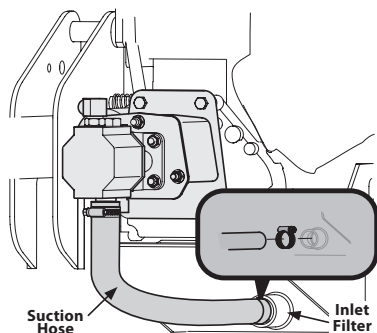


Figure 18

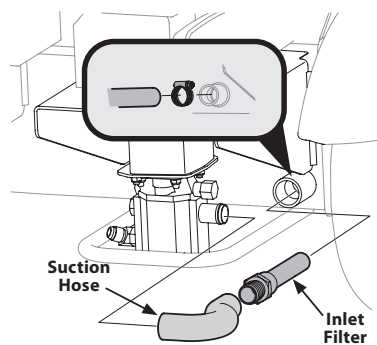


Figure 19

1. Place a suitable oil collection container under the tank.
2. If your engine has a horizontal engine set-up shown in Figure 18, see Figure 18 for changing the hydraulic fluid.
3. If your engine has a vertical engine set-up shown in Figure 19, see Figure 19 for changing the hydraulic fluid.
4. Disconnect the suction hose from the bottom of the reservoir tank. See Figure 18 for horizontal engines or Figure 19 for vertical engines.
5. Carefully un-thread the inlet filter and clean it with penetrating oil. See Figure 20.
6. Allow the fluid to drain into a suitable container.

NOTE: The reservoir tank has a capacity of approximately 3 gallons (11.3562 liters) and the entire hydraulic system has a capacity of 4.75 gallons (17.9807 liters).

7. Reinstall the filter inlet screen and suction hose. Tighten the hose clamp.
8. Check the fluid level using the dipstick. Do not overfill.

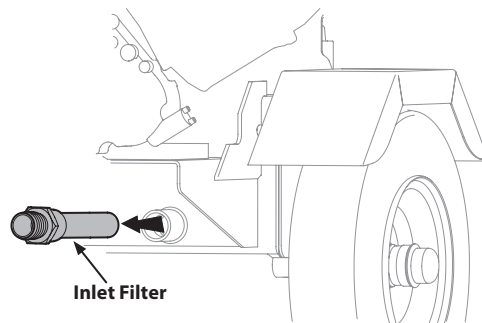


Figure 20

NOTE: Approved fluids include Shell Tellus® S2 M 32 Hydraulic Fluid, Dexron® III/Mercon® Automatic Transmission Fluid, Pro-Select™ AW-32 Hydraulic Oil or 10WAW-ISO Viscosity Grade 32 Hydraulic Oil. It is recommended that fluids not be mixed.

9. Replace the vented dipstick securely, tightening it until the top of the threads are flush with top of the pipe.
10. Disconnect the spark plug and prime the pump by pulling the recoil starter as far as it will go. Repeat approximately 10 times.
11. Reconnect the spark plug wire and start the engine following the instructions in the Engine Operator's Manual.
12. Use the control handle to engage the wedge to the farthest extended position. Then retract the wedge.
13. Refill the reservoir within range marked on the dipstick. See Figure 21.
14. Extend and retract the wedge 12 complete cycles to remove trapped air in the system (the system is "self-bleeding").

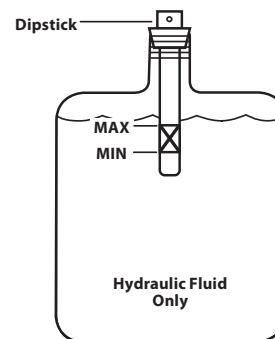


Figure 21

⚠ WARNING

Much of the original fluid has been drawn into the cylinder and hoses. Make certain to refill the reservoir to prevent damage to the hydraulic pump. Failure to refill the tank will void the log splitter's warranty.

NOTE: Some fluid may overflow from the vent plug as the system builds heat and the fluid expands and seeks a balanced level. Do not operate the log splitter without the proper amount of transmission fluid in the reservoir tank.

15. Maintain the fluid level within the range specified on the dipstick at all times. When checking the fluid, always make sure to tighten the dipstick until the top of the threads are flush with the top of the pipe.
NOTE: Always dispose of any used hydraulic fluid and engine oil at approved recycling centers only.
16. Contaminants in the fluid may damage the hydraulic components. Flushing the reservoir tank and hoses with kerosene whenever service is performed on the tank, hydraulic pump or valve is recommended. Contact an authorized service dealer.

Hose Clamps

Check the clamps on the return hose before each use and check the clamps on the suction hose once a season.

Hydraulic Filter

Change the hydraulic filter every 50 hours of operation. Use a 10 micron hydraulic filter only. Order part number 723-0405.

SERVICE

Beam & Splitting Wedge

Lubricate the top, sides and bottom of the beam and where it comes into contact with the splitting wedge with engine oil before each use.

Off-Season Storage

If the log splitter will not be used for more than 30 days, prepare for storage as follows:

! WARNING

Never store the machine with fuel in the fuel tank inside of building where fumes may reach an open flame or spark, or where ignition sources are present such as hot water and space heaters, furnaces, clothes dryers, stoves, electric motors, etc.

1. Refer to the Engine Operator's Manual packed with your log splitter for information on off-season storage of the engine.
2. Clean the log splitter thoroughly.
NOTE: The use of pressure washers or a garden hose to clean the splitter is not recommended. They may cause damage to the bearings or the engine. The use of water to clean the log splitter will result in a shortened life and reduce serviceability.
3. Wipe the machine with an oiled rag to prevent rust, especially on the wedge and the beam.
4. Store the log splitter in a clean, dry area. Do not store it next to corrosive materials, such as fertilizer.

NOTE: If storing in an unventilated or metal storage shed, be certain to rustproof the equipment by coating it with a light oil or silicone.

NOTE: This Operator's Manual covers several models. Features may vary by model. Not all features in this manual are applicable to all models and the model depicted may differ from yours.

Flexible Pump Coupler

The flexible pump coupler is a nylon "spider" insert, located between the pump and the engine shaft. Over time, the coupler will harden and deteriorate. Replace the coupler if you detect vibration or noise coming from the area between the engine and the pump. If the coupler fails completely, you will experience a loss of power.

NOTE: Never hit the engine shaft in any manner, as a blow will cause permanent damage to the engine.

1. Disconnect the spark plug wire and ground it against the engine.
2. Remove the three flange lock nuts and hex screws that secure the pump to the coupling shield. Two flange lock nuts and hex screws are at the bottom corners and one is in the top center. See Figure 22.
3. Remove the pump.
4. Loosen the set screw on the pump coupling half and remove the coupling half.

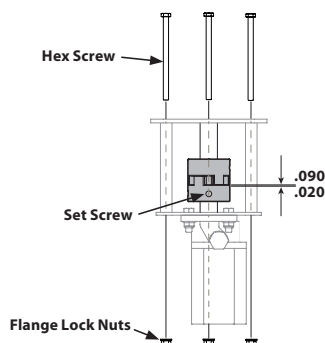


Figure 22

5. Rotate the engine by slowly pulling the starter handle until the engine coupling half set screw is at the bottom. Loosen the set screw using an allen wrench and slide the coupling half off the engine shaft.
6. Slide the new engine coupling half onto the engine shaft until the end of the shaft is flush with the inner portion of the coupling half. (There must be space between the end of the engine support bracket and the coupling half). Tighten the set screw.
7. Install the nylon "spider" onto the engine coupling half.
8. Install the pump coupling half and key on the pump shaft. Rotate the coupling half until the set screw faces down. Do not tighten the set screw.
9. Align the pump coupling half with the nylon "spider" by rotating the engine using the starter handle. Slide the coupling half into place while guiding the three hex screws through the holes in the pump support bracket.
10. Secure with the nuts removed in Step 2.
11. Set .020" to .090" of a clearance/gap between the nylon "spider" and the engine coupling half by sliding a feeler gauge between the nylon "spider" and the engine coupling half and moving the pump coupling half as needed. Install the set screw and torque to 78 in-lbs to secure the pump coupling half. See Figure 22.
NOTE: Make certain the proper clearance/gap is obtained before tightening the set screw.
12. Reconnect the spark plug.

TROUBLESHOOTING

Problem	Cause	Remedy
Cylinder rod will not move	<ol style="list-style-type: none"> 1. Broken drive shaft. 2. Shipping plugs left in hydraulic hoses. 3. Set screws in coupling not adjusted properly. 4. Loose shaft coupling. 5. Gear sections damaged. 6. Damaged relief valve. 7. Hydraulic lines blocked. 8. Incorrect oil level. 9. Damaged directional valve. 10. Blocked directional valve. 	<ol style="list-style-type: none"> 1. See authorized service dealer. 2. Disconnect hydraulic hoses, remove shipping plugs, reconnect hoses. 3. See authorized service dealer. 4. Correct engine/pump alignment as necessary. 5. See authorized service dealer. 6. See authorized service dealer. 7. Flush and clean hydraulic system. 8. Check oil level and fill as required. 9. See authorized service dealer. 10. Flush and clean hydraulic system.
Slow cylinder shaft speed while extending and retracting	<ol style="list-style-type: none"> 1. Gear sections damaged. 2. Excessive pump inlet vacuum. 3. Slow engine speed. 4. Damaged relief valve. 5. Incorrect oil level. 6. Contaminated oil. 7. Directional valve leaking internally. 8. Internally damaged cylinder. 	<ol style="list-style-type: none"> 1. See authorized service dealer. 2. Make certain pump inlet hoses are clear and unblocked-use short, large diameter inlet hoses. 3. See authorized service dealer. 4. See authorized service dealer. 5. Check oil level. 6. Drain oil, clean reservoir and refill. 7. See authorized service dealer. 8. See authorized service dealer.
Leaking Cylinder	<ol style="list-style-type: none"> 1. Broken seals. 2. Scored cylinder. 	<ol style="list-style-type: none"> 1. See authorized service dealer. 2. See authorized service dealer.
Engine runs but wood will not split or wood splits too slowly	<ol style="list-style-type: none"> 1. Small gear section damaged. 2. Pump check valve leaking. 3. Excessive pump inlet vacuum. 4. Incorrect oil level. 5. Contaminated oil. 6. Directional valve leaking internally. 7. Overloaded cylinder. 8. Internally damaged cylinder. 	<ol style="list-style-type: none"> 1. See authorized service dealer. 2. See authorized service dealer. 3. Make certain pump inlet hoses are clear and unblocked. 4. Check oil level. 5. Drain oil, clean reservoir and refill. 6. See authorized service dealer. 7. Do not attempt to split wood against the grain. 8. See authorized service dealer.
Leaking pump shaft seal	<ol style="list-style-type: none"> 1. Broken drive shaft. 2. Engine/pump misalignment. 3. Gear sections damaged. 4. Poorly positioned shaft seal. 5. Plugged oil breather. 	<ol style="list-style-type: none"> 1. See authorized service dealer. 2. Correct alignment as necessary. 3. See authorized service dealer. 4. See authorized service dealer. 5. Make certain reservoir is properly vented.
Wedge continues to move when control handle is released	<ol style="list-style-type: none"> 1. Damaged control valve. 	<ol style="list-style-type: none"> 1. See authorized service dealer.
Control handle does not return to neutral when released from forward position	<ol style="list-style-type: none"> 1. Hydraulic fluid too cold. 2. Hydraulic fluid too thick. 3. Hydraulic fluid contaminated. 4. Damaged control valve. 	<ol style="list-style-type: none"> 1. Warm up engine. 2. Replace hydraulic fluid. 3. Replace hydraulic fluid. 4. See authorized service dealer.

NOTES PAGE

NOTES PAGE

MANUAL DEL OPERADOR

Máquina rompetruncos de viga media

Registro de información de producto

Antes de configurar y hacer funcionar su equipo nuevo, por favor localice la placa de modelo en el equipo y registre la información en el espacio de la derecha. Puede localizar la placa de características mirando la brida lateral de la placa de montaje del motor. Si tiene que solicitar soporte técnico a través de nuestro sitio web o de un distribuidor de servicio local autorizado, necesitará esta información.

NÚMERO DE MODELO

--	--	--	--	--	--	--	--	--	--	--

NÚMERO DE SERIE

--	--	--	--	--	--	--	--	--	--	--

Índice

<i>Medidas de seguridad</i>	14	<i>Solución de problemas</i>	22
<i>Montaje y Configuración</i>	16	<i>Garantía</i>	suplemento separado
<i>Controles y Funcionamiento</i>	18	<i>Repuestos</i>	suplemento separado
<i>Servicio</i>	20		

⚠ ADVERTENCIA

Lea y respete todas las normas de seguridad e instrucciones incluidas en este manual antes de poner en funcionamiento esta máquina. Si no respeta estas instrucciones puede provocar lesiones personales.

⚠ ADVERTENCIA

Proposición 65 de California

El escape del motor de este producto, algunos de sus componentes y algunos componentes del vehículo contienen o liberan sustancias químicas que el estado de California considera que pueden producir cáncer, defectos de nacimiento u otros problemas reproductivos.

NOTA: Este manual de operación cubre distintos modelos. Las características del tractor pueden variar según los modelos. No todas las características en este manual se aplican a todos los modelos de tractor y la máquina que se ilustra aquí puede diferir de la suya.

MEDIDAS DE SEGURIDAD

▲ ADVERTENCIA

▲ La presencia de este símbolo indica que se trata de instrucciones de seguridad importantes que se deben respetar para evitar poner en peligro su seguridad personal y/o material y la de otras personas. Lea y cumpla todas las instrucciones de este manual antes de intentar operar esta máquina. Si no respeta estas instrucciones puede provocar lesiones personales. Cuando vea este símbolo. - **¡TENGA EN CUENTA LAS ADVERTENCIAS!**

▲ PELIGRO

Esta máquina está diseñada para ser utilizada respetando las normas de seguridad contenidas en este manual. Al igual que con cualquier tipo de equipo motorizado, un descuido o error por parte del operador puede producir lesiones graves. Esta máquina es capaz de amputar manos y pies y de arrojar objetos con gran fuerza. De no respetar las instrucciones de seguridad siguientes se pueden producir lesiones graves o la muerte.

Capacitación

1. Lea, entienda y cumpla todas las instrucciones incluidas en la máquina y en el(los) manual(es) antes de intentar realizar el montaje de la unidad y utilizarla. Guarde este manual en un lugar seguro para consultas futuras y periódicas, así como para solicitar repuestos.
2. Familiarícese con todos los controles y con el uso adecuado de los mismos. Sepa cómo detener la máquina y desenganchar los controles rápidamente.
3. No permita nunca que los niños menores de 16 años utilicen esta máquina. Los niños de 16 años en adelante deben leer y entender las instrucciones de operación y normas de seguridad contenidas en este manual y en la máquina y deben ser entrenados y supervisados por un adulto.
4. Nunca permita que los adultos operen esta máquina sin recibir antes la instrucción apropiada.
5. Muchos accidentes ocurren cuando más de una persona hace funcionar la máquina. Si un peón lo está ayudando a cargar los troncos, nunca active el control hasta que el peón se encuentre por lo menos a 10 pies de distancia de la máquina.
6. Mantenga a los observadores, mascotas y niños por lo menos a 10 pies de la máquina siempre que esté funcionando.
7. Nunca permita que ninguna persona se desplace en la máquina.
8. Nunca traslade cargas en esta máquina.
9. Las máquinas rompetroncos hidráulicas desarrollan altas presiones de fluido durante el funcionamiento. Si sale fluido a través de la abertura de un orificio de pasador puede penetrar en la piel y causarle envenenamiento de la sangre, gangrena o la muerte. Preste atención a las siguientes instrucciones en todo momento:
 - a. No controle las fugas con la mano.
 - b. No opere la máquina si las mangueras, los accesorios o los tubos están deshilachados, enroscados, agrietados o dañados.
 - c. Detenga el motor y libere la presión del sistema hidráulico haciendo pasar la palanca de control de la válvula de la posición de avance a la de retroceso varias veces mientras el motor no está en marcha; regresando a la posición neutral antes de realizar la reparación o el ajuste de los accesorios, las mangueras, los tubos u otros componentes del sistema.
 - d. No ajuste los valores de presión de la bomba o válvula, ni aumente la velocidad regulada del motor.
10. Las fugas se pueden detectar pasando un cartón o madera sobre el área sospechosa, usando guantes de protección y anteojos de seguridad. Fíjese si el cartón o la madera pierden color.
11. Si es lastimado por un escape de fluido, consulte a un médico de inmediato. Si no se administra tratamiento médico adecuado inmediatamente se puede producir una infección o reacción grave.
12. Mantenga la zona del operador y el área adyacente despejadas, para poder estar parado con firmeza y seguridad.
13. Si la máquina está equipada con un motor de combustión interna y existe la intención de usarla cerca de un terreno agreste cubierto de bosque, arbustos o pasto, el escape del motor debe estar provisto de un amortiguador de chispas. Asegúrese de respetar todos los códigos locales, estatales y federales aplicables. Lleve el equipamiento adecuado para combatir incendios.
14. Esta máquina se debe utilizar únicamente para cortar madera, no la use con ningún otro propósito.
15. Siga las instrucciones del(de los) manual(es) entregado(s) con cualquier accesorio de esta máquina.

Preparativos

1. Siempre use zapatos de seguridad o botas reforzadas.
2. Siempre use anteojos o antiparras de seguridad cuando hace funcionar esta máquina.
3. Nunca use joyas, ropa suelta o ropa con cordones o corbatas colgantes que pudieran quedar atrapados en las partes móviles o giratorias de la máquina.
4. Compruebe que la máquina esté sobre suelo nivelado, seco y resistente antes de su operación.
5. Siempre bloquee las ruedas para evitar que se mueva accidentalmente y trabaje la vigueta ya sea en posición horizontal o vertical.
6. Siempre opere la máquina desde la(s) zona(s) del operador que se especifican en el manual. Vea la Figura 1.
7. Antes de cortar los troncos con esta máquina se les deben cortar los extremos en escuadra.
8. Use la máquina rompetroncos a la luz del día o con buena luz artificial.

Manejo seguro de la gasolina

1. Para evitar lesiones personales o daños materiales sea sumamente cuidadoso al manipular la gasolina. La gasolina es sumamente inflamable y sus vapores pueden causar explosiones. Si se derrama gasolina encima o sobre la ropa se puede lesionar gravemente ya que se puede encender. Lávese la piel y cámbiese de ropa de inmediato.
 - a. Utilice sólo los recipientes para gasolina autorizados.
 - b. Apague todos los cigarrillos, cigarros, pipas y otras fuentes de ignición.
 - c. Nunca cargue combustible en la máquina en un espacio cerrado.

- d. Nunca saque la tapa del combustible ni agregue combustible mientras el motor está caliente o en marcha.
- e. Deje que el motor se enfríe por lo menos dos minutos antes de volver a cargar combustible.
- f. Nunca llene en exceso el tanque de combustible. Llene el tanque no más de 1/2 pulgada por debajo de la base del cuello del filtro para dejar espacio para la expansión del combustible.
- g. Vuelva a colocar la tapa del combustible y ajústela bien.
- h. Limpie el combustible que se haya derramado sobre el motor y el equipo y mueva la máquina a otra área. Espere cinco minutos antes de encender el motor.
- i. Nunca guarde la máquina o el recipiente de combustible en un espacio cerrado donde haya fuego, chispas o luz piloto, como por ejemplo de calentadores de agua, calefactores de ambientes, hornos, secadores de ropa u otros aparatos a gas.
- j. Deje que la máquina se enfríe por lo menos 5 minutos antes de guardarla.
- k. Nunca llene los recipientes en el interior de un vehículo o camión o caja de remolque con un recubrimiento plástico. Siempre ubique los recipientes en el piso, lejos del vehículo antes de llenarlos.
- l. Cuando sea factible, retire el equipo a gasolina del camión o remolque y llénelo en el suelo. Si esto no es posible, recargue combustible sobre un remolque con un recipiente portátil, en lugar de una boquilla dosificadora de combustible.
- m. En todo momento, mantenga el pico en contacto con el borde del depósito de combustible o con la abertura del recipiente, hasta terminar la carga. No utilice un dispositivo de bloqueo/apertura de boquilla.
- n. Nunca intente hacer ajustes o arreglos en el tractor con el motor en marcha. (excepto cuando así lo recomiende específicamente el fabricante).

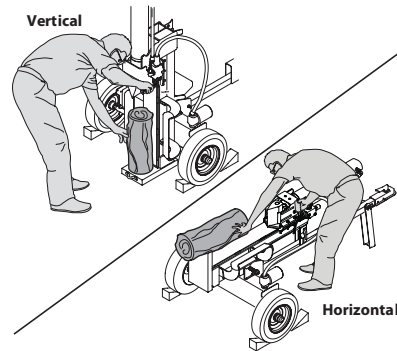


Figura 1

Funcionamiento

1. Antes de poner en marcha esta máquina, repase las "Medidas de seguridad". Si no se respetan estas normas se pueden producir lesiones graves tanto al operador como a los observadores.
2. Nunca deje la máquina en funcionamiento sin vigilancia.
3. No utilice la máquina bajo la influencia de alcohol, drogas o medicamentos.
4. Nunca permita a nadie operar esta máquina sin recibir antes la instrucción apropiada.
5. Siempre opere la máquina con todo el equipamiento de seguridad en su lugar y en condiciones. Asegúrese de que todos los controles funcionen adecuadamente para una operación segura.
6. Zona del operador
 - a. Posición horizontal de funcionamiento: Párese del lado de la palanca de control de la máquina rompetroncos y establezca el tronco como se indica, si es necesario. Vea la Figura 1.
 - b. Posición vertical de funcionamiento: Párese delante de la máquina rompetroncos y establezca el tronco como se indica, si es necesario. Vea la Figura 1.

▲ ADVERTENCIA

Cuando estabiliza el tronco con la mano izquierda, quite la mano después de que la cuña esté justo en contacto con el tronco o puede lesionarse gravemente.

7. Mantenga siempre las manos y los pies alejados de las piezas móviles.
8. Cuando cargue un tronco, siempre coloque las manos a los lados del mismo, no en los extremos, y no use nunca el pie para estabilizar un tronco. Si no respeta estas instrucciones, se puede producir el aplastamiento o la amputación de dedos, dedos de los pies, manos o pies.
9. Use únicamente la mano derecha para operar los controles.
10. Nunca intente cortar más de un tronco a la vez.
11. Para los registros que no están cortados en ángulo recto, el extremo menos cuadrado de la sesión se debe colocar hacia el rayo y la cuña, y el extremo cuadrado colocado hacia la placa terminal.
12. Cuando corte en posición vertical, establezca el tronco antes de mover la manija de control. Corte según se indica a continuación:
 - a. Coloque el tronco en la placa del extremo y gírelo hasta que se incline contra la vigueta y quede estable.

MEDIDAS DE SEGURIDAD

- b. Al dividir extra grande o desigual registros, el registro debe ser estabilizado con cuñas de madera o de madera dividida coloca entre el registro y la placa terminal o tierra.
- 13. Siempre mantenga los dedos alejados de cualquier hendidura que se abra en el tronco mientras realiza el cortado. Estas separaciones se pueden cerrar con rapidez y atrapar o amputar dedos.
- 14. Mantenga limpia el área de trabajo. Retire inmediatamente la madera cortada que quede alrededor de la máquina para no tropezarse con la misma.
- 15. No cambie la configuración del regulador del motor ni acelere demasiado el motor. El regulador del motor controla la velocidad máxima de funcionamiento seguro del motor.
- 16. Nunca mueva la máquina mientras el motor está en funcionamiento.
- 17. Esta máquina no se debe remolcar en ninguna calle, ruta o camino público sin verificar los requisitos aplicables a los vehículos según las reglamentaciones federales, estatales o locales que se encuentren en vigencia. Cualquier autorización o modificación que se deba realizar, por ejemplo, en relación con luces traseras, etc., es responsabilidad exclusiva del comprador. Si en su estado se exige una "Declaración de Origen", consulte con su distribuidor local.
- 18. No remolque la máquina por encima de las 45 mph.
- 19. Vea la sección 'Transporte de la máquina rompetroncos' de este manual para consultar las instrucciones de remolque adecuadas después de haber cumplimentado todos los requisitos federales, locales o estatales.

Mantenimiento y almacenamiento

- 1. Detenga el motor, desconecte la bujía y haga masa contra el motor antes de limpiar o inspeccionar la máquina.
- 2. Detenga el motor y libere la presión del sistema hidráulico haciendo pasar la palanca de control de la válvula de la posición de avance a la de retroceso varias veces mientras el motor no está en marcha; regresando a la posición neutral antes de realizar la reparación o el ajuste de los accesorios, las mangueras, los tubos u otros componentes del sistema.
- 3. Limpie los residuos de las piezas móviles, pero sólo cuando la fuente de alimentación esté apagada.
- 4. Para evitar incendios, limpie la suciedad y grasa de las áreas del motor y del silenciador. Si el motor está equipado con un silenciador de amortiguador de chispas, límpielo e inspecciónelo regularmente según las instrucciones de los fabricantes. Reemplácelo si está dañado.
- 5. Periódicamente controle que todas las tuercas y pernos, abrazaderas de mangueras y accesorios hidráulicos estén ajustados, para verificar que el equipo se encuentra en condiciones de trabajo seguras.
- 6. Si hay que vaciar el depósito de combustible, hágalo al aire libre.

Símbolos de seguridad

En esta página se presentan y describen los símbolos de seguridad que pueden aparecer en este producto. Lea, entienda y cumpla todas las instrucciones incluidas en la máquina antes de intentar realizar el montaje de la unidad y utilizarla.

Símbolo	Descripción
	LEA LOS MANUALES DEL OPERADOR Lea, entienda y cumpla todas las instrucciones incluidas en los manuales antes de realizar el montaje de la unidad y utilizarla.
	ADVERTENCIA — RIESGO DE APLASTAMIENTO Mantenga las manos alejadas de la cuña, la placa del extremo, la madera que esté parcialmente cortada y las piezas móviles.
	OBSERVADORES Mantenga a los observadores, ayudantes y niños por lo menos a 10 pies de distancia.
	OPERADOR ÚNICO Sólo debe operar la máquina una persona a la vez. El adulto que carga y estabiliza el tronco debe ser la persona que opere la manija de control.
	ADVERTENCIA — FLUIDO PRESURIZADO Nunca controle con las manos si los tubos tienen pérdidas. El fluido a presión elevada puede salir a través de la abertura de un orificio de pasador y causarle lesiones graves al penetrar en la piel y causarle envenenamiento de la sangre.
	PROTECCIÓN OCULAR Siempre use anteojos o antiparras de seguridad cuando hace funcionar esta máquina.
	ADVERTENCIA — CUÑA MÓVIL Mantenga las manos alejadas de la cuña y de las piezas móviles.
	ADVERTENCIA — INCENDIO Para reducir el riesgo de incendio mantenga la máquina limpia de pasto, hojas y de acumulación de otros escombros.
	ADVERTENCIA VAPORES TÓXICOS Nunca encienda un motor en espacios cerrados o en una zona con poca ventilación. El escape del motor contiene monóxido de carbono, un gas inodoro y letal.
	ADVERTENCIA — SUPERFICIE CALIENTE Las partes del motor, especialmente el silenciador, llega a ser muy caliente durante la operación. Permita que se enfríen el motor y el silenciador antes de tocarlos.

- 7. Consulte siempre el Manual del operador para obtener detalles importantes si la máquina se va a almacenar durante un período prolongado.
- 8. Controle todos los protectores y escudos de seguridad para verificar que se encuentren en posición adecuada. Nunca opere la máquina si se han retirado los protectores o escudos de seguridad u otros dispositivos de protección.
- 9. La válvula de descarga de presión viene preconfigurada de fábrica. No la ajuste.
- 10. No intente nunca mover la máquina en terreno en pendiente o desparejo sin un vehículo de remolque o sin ayuda adecuada.
- 11. Por su seguridad, cambie todas las piezas dañadas o desgastadas inmediatamente utilizando únicamente equipo del fabricante original ('OEM'). El uso de piezas que no cumplen con las especificaciones del equipo original puede resultar en rendimiento inadecuado y puede poner en peligro la seguridad.
- 12. No modifique esta máquina de ningún modo; si se realizan modificaciones tales como agregado de una cuerda o alargador a la manija de control, o el aumento del ancho o la altura de la cuña, se pueden producir lesiones personales graves.
- 13. Según la Comisión de Seguridad de Productos para el Consumidor de los Estados Unidos (CPSC) y la Agencia de Protección Ambiental de los Estados Unidos (EPA), este producto tiene una *vida útil media* de siete (7) años o 130 horas de funcionamiento. Al finalizar la *vida útil media* haga inspeccionar anualmente esta unidad por un distribuidor de servicio autorizado para cerciorarse de que todos los sistemas mecánicos y de seguridad funcionan correctamente y no tienen excesivo desgaste. Si no lo hace, pueden producirse accidentes, lesiones o la muerte.

Amortiguador de chispas



ADVERTENCIA

Esta máquina está equipada con un motor de combustión interno y no debe ser utilizada en o cerca de un terreno agreste cubierto por bosque, malezas o hierba excepto que el sistema de escape del motor esté equipado con un amortiguador de chispas que cumpla con las leyes locales o estatales correspondientes (en caso de existir).

Si se utiliza un amortiguador de chispas el operador lo debe mantener en condiciones de uso adecuadas. En el Estado de California las medidas anteriormente mencionadas son exigidas por ley (Artículo 4442 del Código de Recursos Públicos de California). Es posible que existan leyes similares en otros estados. Las leyes federales se aplican en territorios federales. Puede conseguir el amortiguador de chispas para el silenciador a través de su distribuidor de mantenimiento de motores autorizado más cercano o poniéndose en contacto con el departamento de servicios, P.O. Box 361131 Cleveland, Ohio 44136-0019.

⚠ ADVERTENCIA

Su responsabilidad—Restrinja el uso de esta máquina motorizada a las personas que lean, comprendan y respeten las advertencias e instrucciones que figuran en este manual y en la máquina.

¡GUARDE ESTAS INSTRUCCIONES!

MONTAJE Y CONFIGURACIÓN

Gracias

Gracias por comprar este producto. La misma ha sido diseñada cuidadosamente para brindar excelente rendimiento si se la opera y mantiene correctamente.

Por favor lea todo este manual antes de operar el equipo. Le indica cómo configurar, operar y mantener la máquina con seguridad y fácilmente. Por favor asegúrese de seguir cuidadosamente y en todo momento las prácticas de seguridad recomendadas, y hacérselas seguir a cualquier otra persona que opere la máquina. En caso de no hacerlo podrían producirse lesiones personales o daños materiales.

Toda la información contenida en este manual hace referencia a la más reciente información de producto disponible en el momento de la impresión. Revise el manual frecuentemente para familiarizarse con la unidad, sus características y funcionamiento. Por favor tenga en cuenta que este Manual del Operador puede cubrir una gama de especificaciones de productos de diferentes modelos. Las características y funciones incluidas y/o ilustradas en este manual pueden no ser aplicables a todos los modelos. Reservamos el derecho de modificar las especificaciones de los productos, los diseños y el equipo estándar sin previo aviso y sin generar responsabilidad por obligaciones de ningún tipo.

En su caso, los datos de prueba de potencia utilizados para establecer la máxima potencia equipado en esta máquina se pueden encontrar en www.opei.org o sitio web del fabricante del motor. Si tiene algún problema o duda respecto a la unidad, llame a un distribuidor de servicio autorizado o póngase en contacto directamente con nosotros. Los números de teléfono, dirección del sitio web y dirección postal de la Asistencia al Cliente se encuentran en el suplemento separado. Queremos garantizar su entera satisfacción en todo momento.

En este manual, las referencias al lado derecho o izquierdo de la máquina se observan desde la posición del operador.

El fabricante del motor es el responsable de todas las cuestiones relacionadas con el rendimiento, potencia de salida, especificaciones, garantía y mantenimiento del motor. Para obtener mayor información consulte el Manual del Propietario / Operador entregado por el fabricante del motor, que se envía, en un paquete por separado, junto con su unidad.

Contenido de la caja

- Una máquina rompetroncos
- Montaje de lengüeta
- Manual del operador
- Manual del operador del motor

⚠ ADVERTENCIA

Tenga mucho cuidado al desembalar esta máquina. Algunos componentes son muy pesados y es necesario que colaboren varias personas o que se use equipo de manipulación mecánico.

NOTA: Todas las referencias que contiene este manual sobre los lados derecho o izquierdo y delantero y trasero de la máquina rompetroncos se hacen observando la misma desde la posición de operación. Si existiera alguna excepción, la misma será especificada.

IMPORTANTE: Se recomienda un mínimo de dos personas para montar esta unidad.

Cómo desembalar y montar la máquina rompetroncos

HERRAMIENTAS NECESARIAS: Gafas de seguridad, guantes de cuero, cortador de alambre, palanca, ajustables y / o conjunto llave de tubo y / o martillo.

1. Use una barreta para aflojar y extraer la tapa de la caja.
2. Use una barreta y un martillo para extraer los costados de la caja, comenzando por los costados cortos (o el lado izquierdo y derecho de la máquina rompetroncos). Ponga a un lado los costados de la caja para evitar lesiones.
3. En el frente de la caja el conjunto de la lengüeta está sujeto en el interior de la caja con un precinto para cables. Corte el precinto para cables para extraer la lengüeta.
4. Extraiga la cubierta plástica grande y descártela.

⚠ ADVERTENCIA

NO saque madera ni corte las tiras que sujetan la máquina rompetroncos o sus componentes a dicha máquina o la caja en este momento. Saque solamente las tiras y/o la madera cuando se le indique que lo haga.

5. Inspeccione el fondo de la caja para detectar grapas o astillas de madera sobresalientes y extraígalas.

6. Quite cualquier parte suelta que se incluya con la máquina rompetroncos (el manual del operador, etc.).
7. Retire del gato que está sobre la lengüeta la abrazadera de resorte y el pasador de horquilla y luego gire el gato hacia el suelo, hasta la posición de operación. Vea la Figura 2.
8. Sujete el gato en su lugar con el pasador de horquilla y la abrazadera de resorte. Vea la Figura 2.
9. Con la máquina rompetroncos todavía sujeta a la base de la caja, extraiga dos pernos hexagonales y tuercas hexagonales del soporte del tanque y extraiga el trozo de madera que está en los soportes del tanque. Vea la Figura 3.
10. Alinee los orificios de la lengüeta con los orificios del soporte del tanque y fijela con los elementos de ferretería que se acaban de retirar. Vea la Figura 3.

NOTA: La manguera de alta presión, que se extiende desde la bomba de engranaje hasta la parte inferior de la válvula de control, debe estar por encima del conjunto de la lengüeta.

11. La máquina rompetroncos se envía con la vigueta en posición vertical. Extraiga los pernos o las tiras que sujetan la placa del extremo a la base de la caja.
12. Tire hacia afuera del bloqueo de vigueta vertical, rótelo hacia atrás y gire la vigueta a la posición horizontal hasta que quede trabada, asegurándose de evitar los posibles puntos de apriete. Vea la Figura 4.

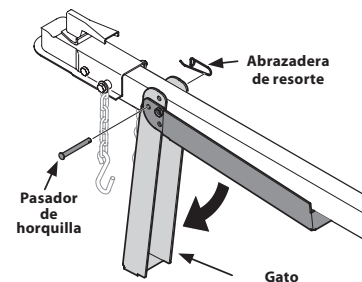


Figura 2

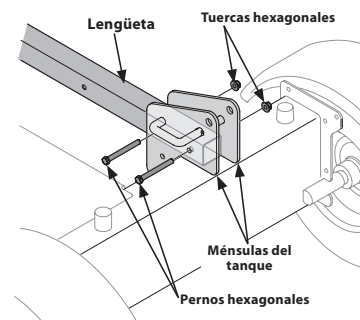


Figura 3

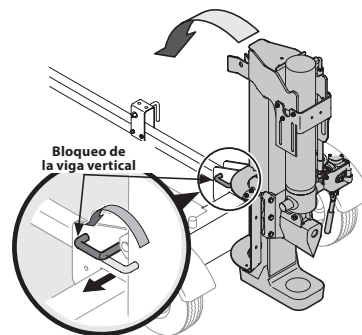


Figura 4

⚠ ADVERTENCIA

Tenga mucho cuidado al subir y bajar la viga, ya que es bastante pesado. Después de haber una segunda persona ayudar a subir o bajar la viga se recomienda. Asegúrese de mantener las manos alejadas de cualquier punto de pellizco posible.

13. Extraiga la madera que está entre la cuña y la placa del extremo cortando el precinto para cables que la sujeta. Corte la tira que está cerca del tubo en el frente del cilindro que lo sujeta al soporte soldado de vigueta. Tenga cuidado de no dañar el tubo.
14. Desconecte el liberador del soporte soldado de vigueta retirando los seis tornillos hexagonales. Vea la Figura 5.

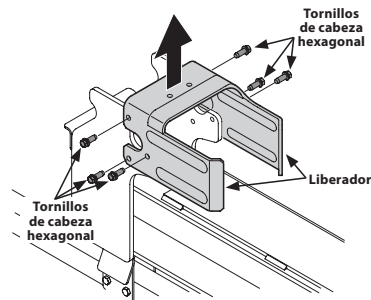


Figura 5

MONTAJE Y CONFIGURACIÓN

15. Desconecte el bandeja de troncos de la vigueta que está al costado de la válvula de control extrayendo los dos tornillos de las arandelas hexagonales que lo sujetan a la vigueta y los dos tornillos de las arandelas hexagonales de la vigueta. Vea la Figura 6.

16. Levante y deslice el cilindro hacia arriba hasta el tope de la vigueta y dentro de los soportes soldados. Vea la Figura 7.

17. Coloque el liberador encima del montaje de la cuña y fíjelo en los soportes soldados con los elementos de ferretería que extrajo previamente. Vea la Figura 5.

NOTA: Levante el cilindro cuando la instalación de los tornillos hexagonales.

NOTA: Una vez apretados los seis tornillos hexagonales, puede haber una pequeña separación entre el liberador y los soportes soldados. Esta separación es normal.

18. Vuelva a colocar el bandeja de troncos al costado de la vigueta con la válvula de control, alineando los orificios del bandeja con los orificios de la vigueta. Vea la Figura 8.

19. Controle si hay grapas y extraígalas de la base de la caja ya que pueden perforar el neumático.

20. Corte la tira de metal que sujeta la máquina rompetroncos a la base de la caja y extraiga la madera que está debajo del motor y/o cualquier otra madera, luego haga rodar la máquina fuera de la base de la caja de embalaje.

21. La manija de control se envía colgando de la válvula en el enlace de la manija.

22. Extraiga el pasador de horquilla y el pasador de chaveta con unión curva de la manija de control. Vea la Figura 9.

23. Rote la manija de control hasta la posición de operación y sujétela con el pasador de horquilla y el pasador de chaveta con unión curva que se extrajo en el paso 1. Consulte la Figura 9.

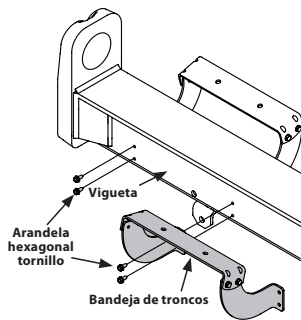


Figura 6

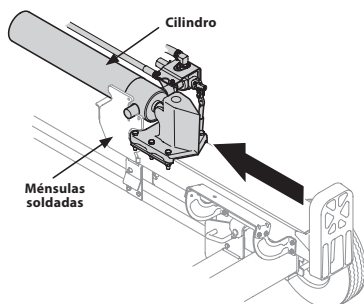


Figura 7

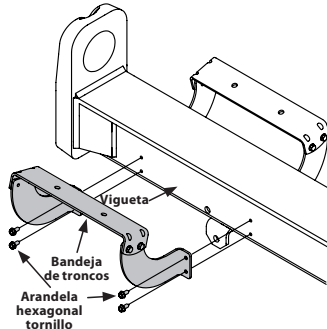


Figura 8

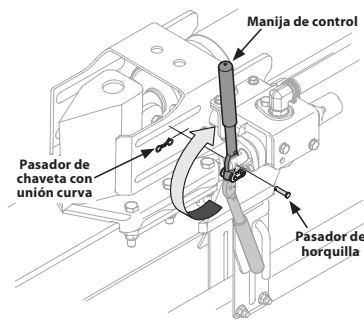


Figura 9

Configuración

Llenado de gasolina y aceite

Realice el mantenimiento del motor con gasolina y aceite como se explica en el manual del motor que se entregó con la máquina rompetroncos. Lea las instrucciones con atención.

⚠ ADVERTENCIA

Tenga mucho cuidado al trabajar con gasolina. La gasolina es sumamente inflamable y sus vapores pueden causar explosiones. Nunca agregue combustible a la máquina en interiores ni mientras el motor está caliente o en funcionamiento.

NOTA: Es posible que su máquina rompetroncos se envíe con aceite en el motor. Usted DEBE controlar el nivel de aceite antes de hacer funcionar la máquina. Tenga cuidado de no llenar en exceso. Se puede agregar gasolina al motor cuando la máquina rompetroncos se encuentra en posición horizontal o vertical. Sin embargo, es posible que resulte más fácil cuando la unidad se encuentra en posición vertical.

Presión de los neumáticos

La presión de operación máxima recomendada es 30 psi. En ninguna circunstancia supere la presión en psi recomendada por el fabricante. Mantenga la misma presión en todos los neumáticos.

⚠ ADVERTENCIA

Una presión excesiva al pisar un reborde puede causar que el montaje de neumático / llanta explote con una fuerza suficiente como para causar lesiones graves.

Preparación de la máquina rompetroncos

1. Lubrique el área de la vigueta donde se desplazará la cuña de corte con aceite de motor. No use grasa.

2. Retire la varilla de medición del depósito ventilada, que se encuentra junto al filtro hidráulico en la parte superior del tanque del depósito. Vea la Figura 10.

3. Llene el tanque del depósito con fluido hidráulico aprobado que incluye Shell Tellus® S2 M 32 Hydraulic Fluid, Dexron® III/Mercon® Automatic Transmission Fluid, Pro-Select™ AW-32 Hydraulic Oil o 10WAW-ISO Viscosity Grade 32 Hydraulic Oil. No se recomienda mezclar líquidos.

NOTA: El tanque de reserva tiene una capacidad de aproximadamente 3 galones (11.3562 litros) y todo el sistema hidráulico tiene una capacidad de 4.75 galones (17.9807 litros).

4. Controle el nivel de líquido con la varilla de nivel. No llene el depósito en exceso.

5. Vuelva a colocar la varilla de nivel venteadada y apriétela bien hasta que el tope de las roscas quede al ras del tope del tubo.

6. Desconecte la bujía y cebe la bomba tirando del arrancador de retroceso hasta el máximo. Repita este paso aproximadamente 10 veces.

7. Vuelva a conectar el cable de la bujía y arranque el motor según las instrucciones del manual de operador del motor.

8. Use la manija de control para enganchar la cuña en la posición de extensión máxima. Luego retraiga la cuña.

9. Vuelva a llenar el tanque según el rango marcado en la varilla. Vea la Figura 11.

10. Extienda y retraiga la cuña 12 ciclos completos para eliminar el aire atrapado en el sistema (el sistema es "autopurgante").

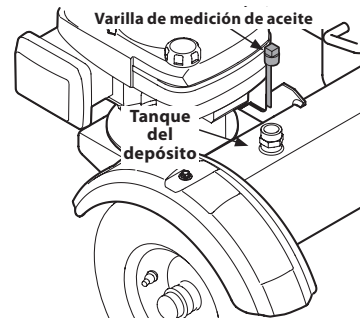


Figura 10

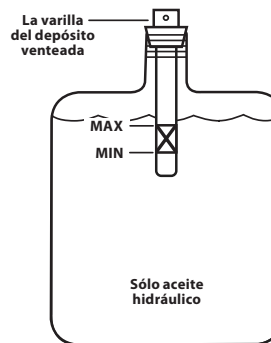


Figura 11

CONTROLES Y FUNCIONAMIENTO

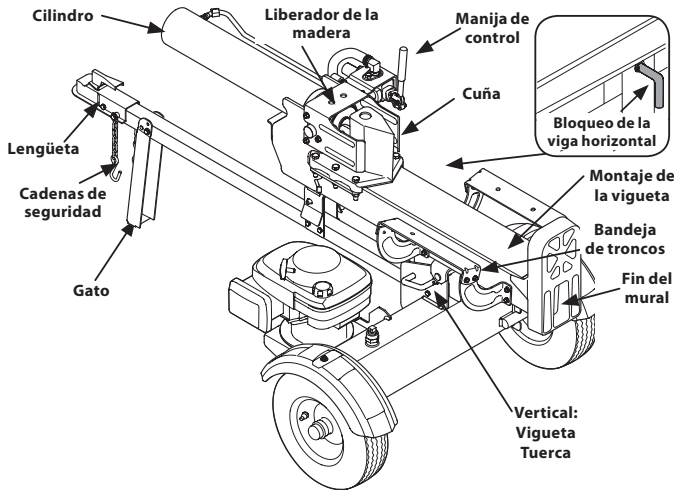


Figura 12

NOTA: Este Manual del Operador puede cubrir una gama de especificaciones de productos de diferentes modelos. Las características y funciones incluidas y/o ilustradas en este manual pueden no ser aplicables a todos los modelos.

Controles del motor

Consulte el manual del motor adjunto para ver la ubicación y el funcionamiento de los controles del motor.

Bloqueos de las vigas

Estas dos trabas, como su nombre lo indica, se usan para ajustar la vigueta en posición horizontal o en posición vertical. La traba de la vigueta vertical está ubicada sobre la ménsula de los depósitos. El bloqueo de la vigueta horizontal está ubicado sobre el soporte del sujetador de la vigueta.

Manija de control

La manija de control tiene tres posiciones: Hacia adelante, neutral, y marcha atrás. Consulte la Uso de la manija de control para más instrucciones.

Cuña

La cuña se usa para cortar la madera.

Liberador de la madera

El liberador de madera está diseñado para sacar de la cuña la madera parcialmente cortada. Esto puede suceder cuando se corta madera de gran diámetro o que ha sido cortada recientemente.

Bandeja de troncos

La bandeja de registro está diseñado para detectar el registro después de que se divide.

Lengüeta

La lengüeta se usa para acoplar a un vehículo de remolque para transporte.

Fin de mural

La placa final tiene el registro en su lugar mientras la cuña divide el registro.

Cadenas de seguridad

Las cadenas de seguridad se enganchan al vehículo remolcador para su transporte.

NOTA: Este Manual del Operador puede cubrir una gama de especificaciones de productos de diferentes modelos. Las características y funciones incluidas y/o ilustradas en este manual pueden no ser aplicables a todos los modelos.

Lista de comprobación previa al inicio

1. Retire la varilla de medición ventilada y compruebe el nivel de aceite hidráulico. Rellene si es necesario. Los fluidos aprobados incluyen Shell Tellus® S2 M 32 Hydraulic Fluid, Dexron® III/Mercon® Automatic Transmission Fluid, Pro-Select™ AW-32 Hydraulic Oil o 10WAW-ISO Viscosity Grade 32 Hydraulic Oil.
2. Compruebe el nivel de aceite del motor. Rellene si es necesario.
3. Llene el tanque de gasolina si es necesario.
4. Lubrique el área de la viga donde la cuña de división se deslizará con aceite de motor usando un trapo limpio. No utilice grasa para lubricar. Asegúrese de lubricar tanto el frente como la parte posterior de la cara de la viga.

5. Conecte el cable de la bujía de encendido a la bujía de encendido.

Arranque del motor

Consulte el manual del operador del motor para instrucciones de arranque detalladas.

⚠ ADVERTENCIA

Lea, comprenda y siga todas las instrucciones y advertencias de la máquina y que se incluyen en los manuales del operador antes de utilizarla.

Uso del divisor de troncos

⚠ ADVERTENCIA

Use guantes de trabajo, zapatos de seguridad, protección para los oídos y gafas de seguridad cuando opere el divisor de troncos. Asegurar una base segura.

Posiciones de operación

1. Coloque la máquina rompetroncos sobre suelo nivelado, seco y resistente.
2. Trabe las dos ruedas por delante y por detrás. Vea la Figura 13.
3. Coloque la vigueta en la posición horizontal o vertical y trábela en su lugar.

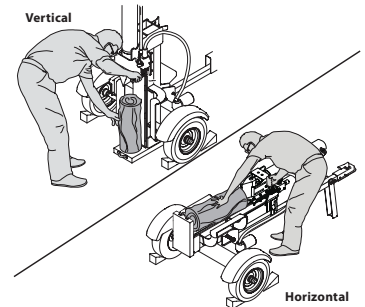


Figura 13

⚠ ADVERTENCIA

Tenga cuidado al subir y bajar la viga, ya que es bastante pesado. Se recomienda que una segunda persona ayude a subir o bajar la viga. Asegúrese de mantener las manos alejadas de los puntos de pellizco posibles.

4. Para colocar la vigueta en la posición vertical proceda de la siguiente manera:

⚠ ADVERTENCIA

Use siempre la máquina rompetroncos en posición vertical cuando corta troncos pesados.

- a. Tire del bloqueo de vigueta horizontal hacia afuera para liberar la vigueta y girarla a la posición vertical.
 - b. Para trabar la vigueta en posición vertical, tire del bloqueo de vigueta vertical hacia afuera y gírelo para ajustar la vigueta. Vea la Figura 14.
5. Para colocar la vigueta en la posición horizontal proceda de la siguiente manera:
 - a. Tire del bloqueo de vigueta vertical hacia afuera y rótelolo hacia abajo. Baje la vigueta a la posición horizontal.
 - b. El bloqueo de la vigueta horizontal se traba automáticamente. El bloqueo a resorte encaja a presión en su lugar cuando la vigueta se baja a esta posición. Vea la Figura 15.

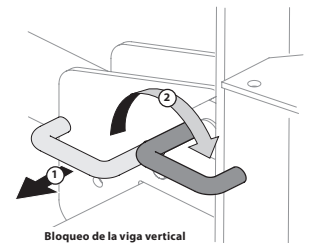


Figura 14

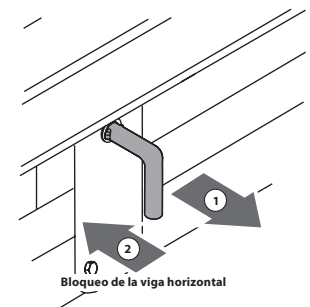


Figura 15

CONTROLES Y FUNCIONAMIENTO

Uso de la manija de control

La manija de control tiene tres posiciones. Vea la Figura 16.

- **FORWARD (avance)** — Mueva la manija de control hasta la posición FORWARD (avance) para mover la cuña hacia el tronco que desea cortar.

NOTE: La manija de control vuelve a la posición NEUTRAL inmediatamente después de que la suelte. (Posición Forward (avance) solamente).
- **NEUTRAL** — Suelte la manija de control o coloque la palanca en la posición NEUTRAL para detener el movimiento de la cuña.
- **REVERSE (retroceso)** — Mueva la manija de control hasta la posición REVERSE (retroceso) para regresar la cuña hacia el cilindro. La manija de control permanece en la posición REVERSE (retroceso) y vuelve a la posición NEUTRAL de forma automática cuando se la retrae totalmente. No mantenga la manija en la posición REVERSE (retroceso) cuando se la retrae totalmente.

NOTA: La posición de retroceso también se puede llevar nuevamente de forma manual hasta la posición NEUTRAL, de ser necesario.

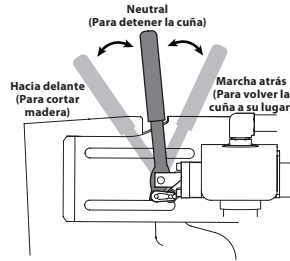


Figura 16

Transporte de la máquina rompetroncos

⚠ ADVERTENCIA

No remolque a velocidad superior a 45 millas por hora, y verifique los requisitos locales, estatales y federales antes de realizar el remolque en cualquier ruta pública. Compruebe siempre el estado de los neumáticos antes de remolcarlos.

1. Baje la vigueta a la posición horizontal. Asegúrese de que la vigueta esté trabada firmemente con el bloqueo de vigueta horizontal.
2. Retire la abrazadera de resorte y el pasador de horquilla del gato.
3. Sostenga la lengüeta y gire el gato hacia arriba contra la lengüeta. Vea la Figura 17.
4. Fije con la abrazadera de resorte y el pasador de horquilla que retiró previamente. Vea la Figura 17.
5. Sujete el enganche acoplador a una bola clase I o superior de 2" en un vehículo de remolque; trábelo firmemente.
 - a. Si el enganche acoplador no se ajusta sobre la bola, gire la tuerca de ajuste un giro en sentido contrario a las agujas del reloj.
 - b. Si el enganche acoplador no se ajusta sobre la bola, gire la tuerca de ajuste un giro en sentido de las agujas del reloj. Luego verifique nuevamente y reajuste según sea necesario.
6. Conecte las cadenas de seguridad al vehículo de remolque.
7. Enchufe las luces (si están incluidas) en el conector de la luz trasera del vehículo remolcador.
8. Mueva la válvula de corte de combustible a la posición OFF.

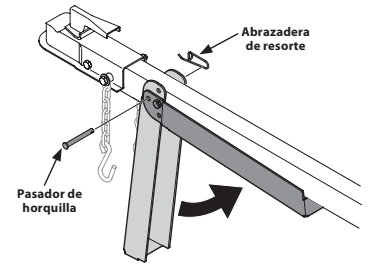


Figura 17

NOTA: Sea precavido cuando dé marcha atrás. El uso de un observador fuera del vehículo es recomendable.

Consejos de operación

Siempre:

1. Use líquido limpio y controle el nivel de líquido periódicamente.
2. Use un líquido hidráulico aprobado. Entre los fluidos aprobados se encuentran fluido hidráulico Shell Tellus® S2 M 32, fluido para transmisiones automáticas Dexron® III/ Mercon®, aceite hidráulico Pro-Select™ AW-32 o aceite hidráulico 32 grado de viscosidad 10WAW-ISO. Compruebe el nivel de aceite del motor. Rellene si es necesario.
3. Use un filtro (limpielo o cámbielo regularmente).
4. Use una tapa de respiradero sobre el depósito de líquido.
5. Asegúrese de que la bomba esté montada y alineada adecuadamente.
6. Use un acoplamiento tipo "araña" flexible entre los ejes de accionamiento de la bomba y el motor.
7. Mantenga los tubos limpios y destapados.
8. Purgue el aire de los tubos antes de usarlos.
9. Enjuague y limpie el sistema hidráulico antes de volver a arrancar la máquina después del mantenimiento.
10. Use sellador de roscas líquido en todos los accesorios hidráulicos.
11. Deje que el motor se caliente antes de cortar madera.
12. Bebe la bomba antes del arranque inicial, haciendo funcionar el motor con la bujía desconectada (si esto no se realizó en fábrica).
13. Corte la madera únicamente siguiendo la veta (es decir, en sentido longitudinal).

Nunca:

1. Use la máquina cuando el líquido está a temperatura inferior a 20° F o superior a 150° F.
2. Use un acoplamiento de motor/bomba sólido.
3. Opere a través de la válvula de descarga durante más de 5 segundos.
4. Intente regular los valores de la válvula de descarga o de seguridad.
5. Opere si hay aire en el sistema hidráulico.
6. Use cinta de Teflón en los accesorios hidráulicos.
7. Intente cortar la madera en sentido transversal a la veta.
8. Intente utilizar las manos para sacar de la cuña la madera parcialmente cortada. Retraiga totalmente la cuña para liberar la madera con el liberador de madera.

⚠ ADVERTENCIA

Si la manija de control de la máquina rompetroncos no funciona adecuadamente, INTERRUMPA SU USO DE INMEDIATO y comuníquese con el distribuidor de servicio autorizado.

⚠ ADVERTENCIA

NO intente darle servicio, repararla ni reemplazar la válvula de control. Comuníquese con un distribuidor de servicio autorizado.

⚠ ADVERTENCIA

No intente ajustar ni modificar la válvula de control o el sistema hidráulico para alterar sus configuraciones originales o su construcción de ninguna manera.

Cómo cortar madera

1. Ponga en marcha el motor como se indica en el manual del operador del motor.
2. Coloque el tronco contra la placa del extremo y solamente corte la madera en la dirección de la veta.
3. Para estabilizar el tronco, coloque la mano izquierda en el costado del tronco que está frente a la viga como se indica en la Figura 13.

⚠ ADVERTENCIA

Nunca coloque las manos en los extremos del tronco, entre el tronco o la placa del extremo y la cuña de corte.

⚠ ADVERTENCIA

Sólo se permite un operador. El adulto que carga y estabiliza el tronco debe ser la persona que opere la manija de control.

4. Mueva la manija de control hasta la posición de avance para cortar la madera.
5. Quite la mano izquierda del costado del tronco después de que la cuña esté justo en contacto con el tronco. Continúe moviendo la manija de control hacia adelante para cortar el tronco.
6. Suelte la manija de control para detener el movimiento de la cuña.
7. Mueva la manija de control hasta la posición de retroceso para que regrese la cuña.
8. Para sacar de la cuña la madera parcialmente cortada, coloque la manija de control en la posición REVERSE (retroceso) hasta que la cuña sea plegada totalmente para permitir que la parte de la madera que está cortada haga contacto con el liberador de madera.

⚠ ADVERTENCIA

No utilice nunca las manos para sacar de la cuña la madera parcialmente cortada. Los dedos pueden quedar atrapados entre la madera cortada. Una vez extraída de la cuña mediante el uso del liberador de madera, corte madera desde extremo opuesto o en otra ubicación.

SERVICIO

⚠️ ADVERTENCIA

Siempre detenga el motor, desconecte el cable de la bujía y haga masa contra el motor antes de realizar cualquier ajuste. Utilice siempre anteojos de seguridad durante el funcionamiento o mientras ajusta o repara este equipo.

Motor

Consulte el manual de operación del motor embalado con la máquina para ver el mantenimiento del motor.

NOTA: Al vaciar el aceite del motor en esta cortadora de troncos, el escudo de las mangueras de aceite que puede bajar por la estructura y por goteo en las mangueras. Limpie completamente todo el aceite residual de la cortadora de troncos y las mangueras después de completar el servicio.

Presión de los neumáticos

La presión de operación máxima recomendada es 30 psi. Bajo ninguna circunstancia supere la presión en psi recomendada por el fabricante. Mantenga la misma presión en todos los neumáticos.

⚠️ ADVERTENCIA

Una presión excesiva al pisar un reborde puede causar que el montaje de neumático / llanta explote con una fuerza suficiente como para causar lesiones graves. Consulte la pared lateral del neumático para ver la presión recomendada.

Fluido hidráulico

Compruebe el nivel de fluido hidráulico en el depósito separador de registro antes de cada uso. Mantener el nivel de fluido dentro del rango especificado en la varilla en todo momento.

Cambie el fluido hidráulico en el depósito cada 100 horas de funcionamiento. El filtro también se debe cambiar con cada cambio de fluido hidráulico.

Siga los pasos a continuación:

1. Coloque un recipiente de recolección de aceite adecuado debajo del tanque.
2. Si el motor tiene un motor horizontal configuración se muestra en la Figura 18, vea la Figura 18 para cambiar el fluido hidráulico.
3. Si el motor tiene una vertical de puesta a punto se muestra en la Figura 19, vea la Figura 19 para cambiar el fluido hidráulico.
4. Desconectar la manguera de aspiración desde la parte inferior del tanque de depósito. Vea la Figura 18 para los motores horizontales o Figura 19 para los motores verticales.

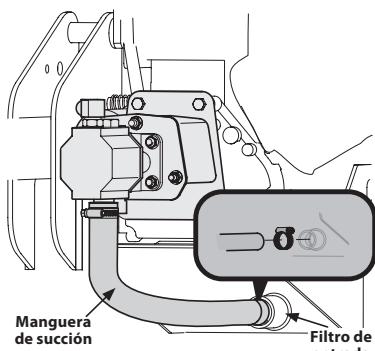


Figura 18

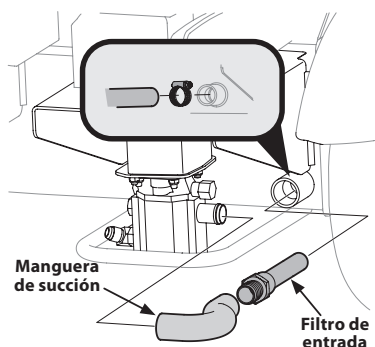


Figura 19

5. Con cuidado, un- enrosque el filtro de entrada y limpiarlo con aceite penetrante. Vea la Figura 20.

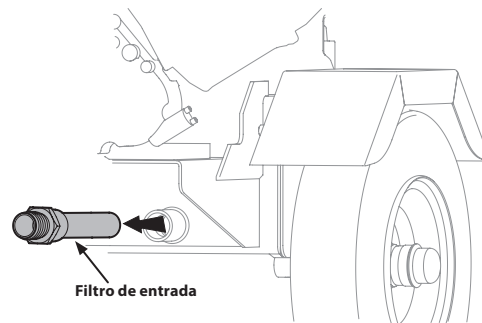


Figura 20

6. Deje que el líquido drene en un recipiente adecuado.

NOTE: El tanque tiene una capacidad de 3 galones (11.3562 liters) y todo el sistema hidráulico tiene una capacidad de aproximadamente 4.75 galones (17.9807 liters).

7. Vuelva a instalar la pantalla de entrada del filtro y la manguera de succión. Apriete la abrazadera de la manguera.
8. Comprobar el nivel del líquido utilizando la varilla medidora. No llene en exceso.

NOTA: Aprobado líquidos incluyen Shell Tellus® S2 M 32 de fluidos hidráulicos, Dexron® III/ Mercon® líquido de transmisión automática, Pro-Select™ AW-32 Aceite hidráulico o 10WAW grado de viscosidad ISO-32 de aceite hidráulico. No se recomienda que los fluidos se mezclarán.

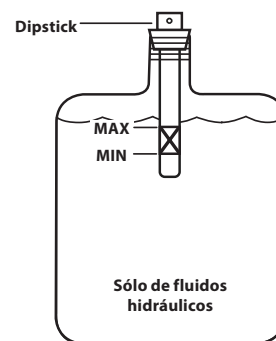


Figura 21

9. Sustituir la varilla bien ventilado, apretando hasta que la parte superior de las roscas están a ras con la parte superior de la tubería.
10. Desconecte la bujía y cebar la bomba tirando del arranque en la medida en que se vaya. Repetir 10 veces aproximadamente.
11. Vuelva a conectar el cable de la bujía y arrancar el motor siguiendo el manual de operador del motor.
12. Utilice el control de la manija para entablar la cuña más lejano a la posición extendida. Luego retirar la cuña.
13. Vuelva a llenar el depósito dentro de los límites marcados en la varilla. Vea la Figura 21.
14. Extender y retirar la cuña de 12 ciclos completos para eliminar el aire atrapado en el sistema (el sistema es "auto-sangrado").

⚠️ ADVERTENCIA

Gran parte de la original de fluido se ha preparado en el cilindro y mangueras. Asegúrese de rellenar el depósito para evitar daños a la bomba hidráulica. Si no se recarga el tanque anulará la garantía del separador de registro.

NOTA: Algunos de líquido puede desbordar de la válvula de ventilación se basa en el sistema de calor y el líquido se expande y busca un nivel equilibrado. No utilice el separador de registro sin la adecuada cantidad de fluido de transmisión en el tanque.

15. Mantener el nivel de líquido dentro del intervalo especificado en la varilla en todo momento. Al comprobar el líquido, asegúrese siempre de apretar la varilla medidora hasta la parte superior de los hilos queden al ras con la parte superior de la tubería.
16. Los contaminantes en el líquido puede dañar los componentes hidráulicos. Lavado del depósito y las mangueras con queroseno cuando se realiza la reparación en el tanque, la bomba hidráulica o una válvula se recomienda. Póngase en contacto con un distribuidor autorizado.

Abrazaderas de la manguera

Compruebe las abrazaderas de la manguera de retorno antes de cada uso y comprobar las abrazaderas de la manguera de succión de una vez por temporada.

Filtro hidráulico

Cambie el filtro hidráulico cada 50 horas de funcionamiento. Use únicamente un filtro hidráulico de 10 micrones. Haga el pedido del número de pieza 723-0405.

Vigueta y cuña de corte

Lubrique la tapa, los lados y el fondo de la viga y donde viene en contacto con la cuña que parte con aceite de motor antes de cada uso.

Almacenamiento fuera de temporada

Si el rompe troncos no se usa por más de 30 días, prepárelo para su almacenamiento de la siguiente manera:

⚠ ADVERTENCIA

Nunca almacene la máquina con combustible en el tanque en un área del edificio donde los vapores puedan alcanzar una llama expuesta o chispas, o donde existan fuentes de ignición, tales como calentadores de agua, calefactores de ambientes, hornos, secadoras de ropa, estufas, motores eléctricos, etc.

1. Consulte el manual del operador del motor se embarcó con su cortadora de troncos para obtener información sobre el almacenamiento fuera de temporada del motor.
2. Limpie a fondo la máquina rompe troncos.

NOTA: No se recomienda utilizar una limpiadora a presión o manguera de jardín para limpiar su unidad. Pueden producir daños a los cojinetes o al motor. El uso de agua acortará la vida útil de la máquina y reducirá su capacidad de servicio.
3. Limpie la unidad con un trapo embebido en aceite para evitar la formación de óxido, especialmente en la cuña y la vigueta.
4. Almacénela en un área despejada y seca. No la almacene cerca de productos corrosivos como por ejemplo fertilizantes.

NOTA: Si la almacena en un galpón de depósito mal ventilado o metálico, asegúrese de realizarle un tratamiento anti-oxidante al equipo cubriéndolo con aceite ligero o silicona.

NOTA: Este Manual del Operador puede cubrir una gama de especificaciones de productos de diferentes modelos. Las características y funciones incluidas y/o ilustradas en este manual pueden no ser aplicables a todos los modelos.

Acoplador flexible de la bomba

El acoplador flexible es una bomba de nylon "araña" se añade, situada entre la bomba y el eje motor. Con el tiempo, el acoplador se endurece y se deterioran. Sustituir el acoplador si detecta la vibración o el ruido procedente de la zona entre el motor y la bomba. Si el enganche no funciona correctamente, usted experimentará una pérdida de energía hidráulica.

NOTE: Nunca golpee el eje motor de ninguna manera, como un golpe pueden causar daños al motor.

1. Desconecte el cable de la bujía y la masa contra el motor.

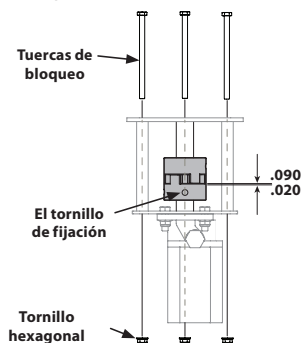


Figura 22

2. Retire los tres tuercas de la brida sujeción y los tornillos hexagonales que sujetan la bomba a la pantalla de acoplamiento. Dos tuercas de la brida y tornillos hexagonales se encuentran en las esquinas inferiores y uno está en la parte superior central. Ve la Figura 22.
3. Retire la bomba.
4. Afloje el tornillo de fijación en la mitad del acoplamiento de la bomba y retire la mitad de acoplamiento.
5. Gire el motor tirando lentamente del mango de arranque hasta que el motor de acoplamiento tornillo de fijación media está en el fondo. Afloje el tornillo con una llave Allen y deslice la mitad del acoplamiento del eje del motor.
6. Deslice el medio motor acoplamiento nuevo en el eje motor hasta que el extremo del eje está al ras con la parte interna del medio de acoplamiento. (Debe haber espacio entre el extremo de la ménsula de soporte del motor y el medio de acoplamiento). Apriete el tornillo de fijación.
7. Instale el nylon "araña" en la mitad del acoplamiento del motor.
8. Instalación del medio de acoplamiento de la bomba y la llave en el eje de la bomba. Gire la mitad de acoplamiento hasta que el tornillo de ajuste hacia abajo. No apriete el tornillo de fijación.
9. Alinear la mitad del acoplamiento de la bomba con el nylon "araña" haciendo girar el motor con la manivela de arranque. Deslice la mitad de acoplamiento en su lugar mientras guía a los tres tornillos de fijación a través de los agujeros en el soporte de la bomba.
10. Fije con las tuercas que quitó antes.
11. Establezca .020" a .090" de una liquidación / brecha entre el nylon "araña" y el motor de la mitad del acoplamiento deslizando un calibrador entre el nylon "araña" y la mitad del acoplamiento del motor y mover el medio acoplamiento de la bomba según sea necesario. Instale el tornillo de fijación y el par de 78 pulgadas-libras para asegurar el acoplamiento mitad bomba. Ve la Figura 22.

NOTA: Asegúrese de que la correcta liquidación / gap se obtiene antes de apretar el tornillo de fijación.
12. Vuelva a conectar la bujía.

SOLUCIÓN DE PROBLEMAS

Problema	Causa	Solución
La varilla del cilindro no se mueve	<ol style="list-style-type: none"> 1. El eje de accionamiento está roto. 2. Se han dejado los tapones de envío en las mangueras hidráulicas. 3. Los tornillos de fijación del acoplamiento no están ajustados adecuadamente. 4. El acoplamiento del eje está flojo. 5. Hay partes de los engranajes dañadas. 6. La válvula de descarga está dañada. 7. Las tuberías hidráulicas están bloqueadas. 8. El nivel de aceite es incorrecto. 9. La válvula direccional está dañada. 10. La válvula direccional está bloqueada. 	<ol style="list-style-type: none"> 1. Consulte al distribuidor de servicio autorizado. 2. Desconecte las mangueras hidráulicas, retire los tapones colocados para el envío, vuelva a conectar las mangueras. 3. Consulte la Sección de Mantenimiento para corregir el ajuste. 4. Corrija la alineación del motor/la bomba según sea necesario. 5. Consulte al distribuidor de servicio autorizado. 6. Consulte al distribuidor de servicio autorizado. 7. Enjuague y limpie el sistema hidráulico. 8. Revise el nivel de aceite. 9. Consulte al distribuidor de servicio autorizado. 10. Enjuague y limpie el sistema hidráulico.
Velocidad lenta del eje del cilindro durante la extensión o retracción.	<ol style="list-style-type: none"> 1. Hay partes de los engranajes dañadas. 2. Vacío excesivo en la entrada de la bomba. 3. Velocidad del motor lenta. 4. La válvula de descarga está dañada. 5. El nivel de aceite es incorrecto. 6. El aceite está contaminado. 7. La válvula direccional tiene pérdidas internas. 8. El cilindro está dañado internamente. 	<ol style="list-style-type: none"> 1. Consulte al distribuidor de servicio autorizado. 2. Asegúrese de que las mangueras de entrada de la bomba estén despejadas y sin bloqueos; use mangueras de entrada cortas, de diámetro grande. 3. Consulte al distribuidor de servicio autorizado. 4. Consulte al distribuidor de servicio autorizado. 5. Revise el nivel de aceite. 6. Vacíe el aceite, limpie el depósito y vuelva a llenarlo. 7. Consulte al distribuidor de servicio autorizado. 8. Consulte al distribuidor de servicio autorizado.
Cilindro con pérdidas	<ol style="list-style-type: none"> 1. Juntas gastadas. 2. Cilindro ranurado. 	<ol style="list-style-type: none"> 1. Consulte al distribuidor de servicio autorizado. 2. Consulte al distribuidor de servicio autorizado.
El motor funciona pero la madera no se parte o se divide la madera con demasiada lentitud	<ol style="list-style-type: none"> 1. La sección de engranajes pequeños está dañada. 2. La válvula de retención de la bomba tiene pérdidas. 3. Vacío excesivo en la entrada de la bomba. 4. El nivel de aceite es incorrecto. 5. El aceite está contaminado. 6. La válvula direccional tiene pérdidas internas. 7. Sobrecarga de cilindro. 8. El cilindro está dañado internamente. 	<ol style="list-style-type: none"> 1. Consulte al distribuidor de servicio autorizado. 2. Consulte al distribuidor de servicio autorizado. 3. Asegúrese de que las mangueras de entrada estén despejadas y sin bloqueos. 4. Revise el nivel de aceite. 5. Vacíe el aceite, limpie el depósito y vuelva a llenarlo. 6. Consulte al distribuidor de servicio autorizado. 7. No intente cortar madera en sentido transversal a la veta. 8. Consulte al distribuidor de servicio autorizado.
La junta del eje de la bomba pierde	<ol style="list-style-type: none"> 1. El eje de accionamiento está roto. 2. Alineación incorrecta del motor/la bomba. 3. Hay partes de los engranajes dañadas. 4. La junta del eje no está bien posicionada. 5. Respiradero de aceite tapado. 	<ol style="list-style-type: none"> 1. Consulte al distribuidor de servicio autorizado. 2. Corrija la alineación según sea necesario. 3. Consulte al distribuidor de servicio autorizado. 4. Consulte al distribuidor de servicio autorizado. 5. Asegúrese de que el depósito tenga ventilación adecuada.
Cuña continúa moviéndose hacia delante cuando se suelta el mango de control	<ol style="list-style-type: none"> 1. Válvula de control dañados. 	<ol style="list-style-type: none"> 1. Consulte al distribuidor de servicio autorizado.
Mango de control no vuelve a la posición neutral cuando se libera de la posición hacia delante	<ol style="list-style-type: none"> 1. El aceite hidráulico demasiado frío. 2. El líquido hidráulico a grueso. 3. El aceite hidráulico contaminados. 4. Válvula de control dañados. 	<ol style="list-style-type: none"> 1. Caliente el motor. 2. Vuelva a colocar de fluido hidráulico. 3. Vuelva a colocar de fluido hidráulico. 4. Ver proveedor de servicio autorizado.

