

IT IS HIGHLY RECOMMENDED THAT THE INSTRUCTIONS BE READ THROUGH BEFORE INSTALLATION.

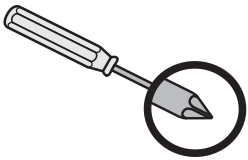


## GrandVue E800

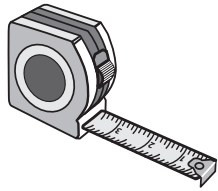
SCREENED PORCH • GAZEBOS • GARAGE OPENINGS  
**INSTALLATION INSTRUCTIONS**

### INSTALLATION TOOLS

PHILLIPS SCREWDRIVER



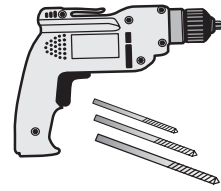
MEASURING TAPE



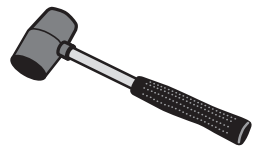
HAND-HELD OR POWER SAW



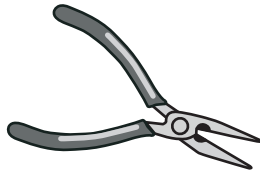
POWER DRILL & BITS



RUBBER Mallet



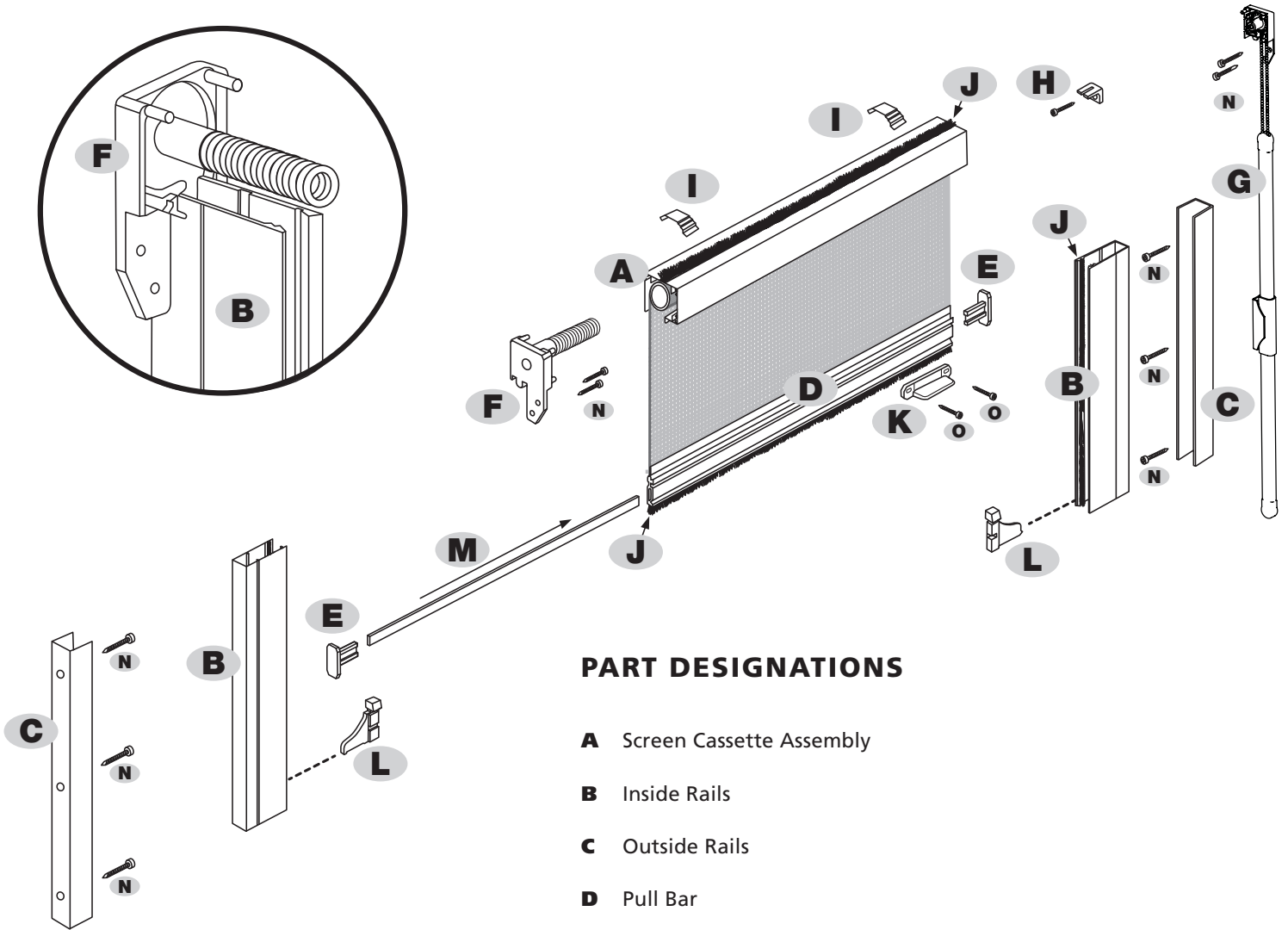
NEEDLE PLIERS



PENCIL OR PEN



The instructions are split into two sections: **RECESS INSTALLATION, PAGE 2**, and **SURFACE INSTALLATION, PAGE 6**. Determine which you need before starting.



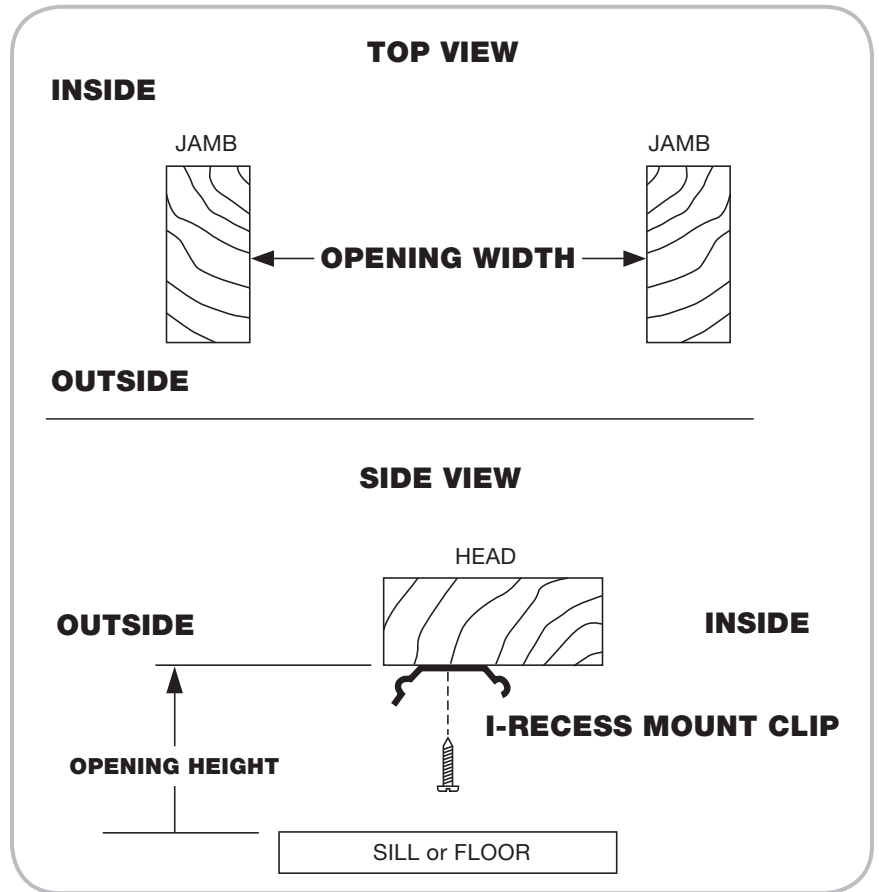
**PART DESIGNATIONS**

- A** Screen Cassette Assembly
- B** Inside Rails
- C** Outside Rails
- D** Pull Bar
- E** Pull Bar End Caps
- F** End Cap with Spring
- G** End Cap with Operating Wand
- H** Chain Lock
- I** Recess Mount Clips
- J** Weatherstrip
- K** Foot Release Lever
- L** Pull Bar Locks
- M** Weight Bar
- N** #8 x 1" (25mm) Panhead Screw
- O** #6 x 3/8" (9mm) Phillips Panhead Screw



# 1 MEASURING AND CUTTING

Determine the maximum opening height & width for mounting your screen, as shown below. Check for interference with any door or window.



## IMPORTANT

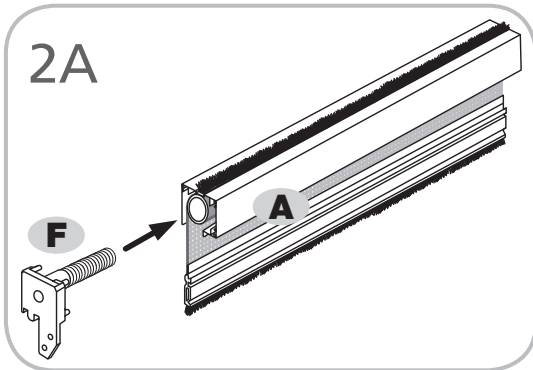
**Be sure to make smooth, straight cuts. Only cut the A-Screen Cassette Assembly on the end without the G-End Cap with Operating Wand.**

Record your opening measurements on the chart below to calculate your measurements.

Width		
OPENING WIDTH	LESS 7/8" TO ALLOW FOR END CAPS	CASSETTE LENGTH (A)
_____ "	- 7/8"	= _____ "
Height		
OPENING HEIGHT	LESS 2-1/8" TO ALLOW FOR CASSETTE END CAPS AND RECESS MOUNT CLIPS	INSIDE & OUTSIDE RAIL LENGTHS (B & C)
_____ "	- 2 1/8"	= _____ "

Cut all parts to length using the calculations above.

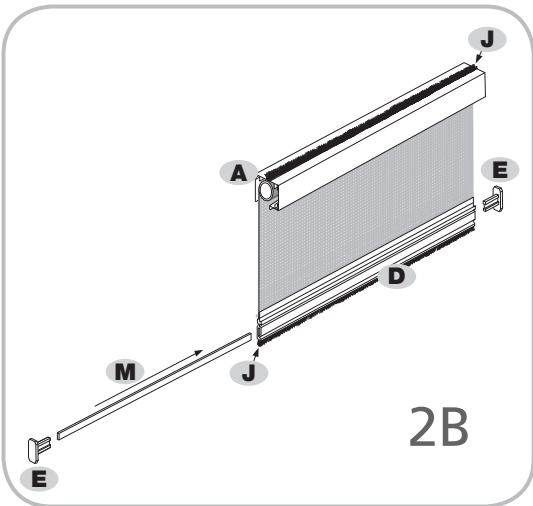
Keep the plastic film on the cassette until all cuts are completed.



## 2 PREPARING THE SCREEN CASSETTE

Insert **F-End Cap with Spring** into the correct end of the **A-Screen Cassette Assembly** [Fig 2A] (the assembly will only fit correctly in one end). Make sure to line up the spring and bushing notches with one of the small slots in the center screen tube. Wind the spring clockwise the number of turns designated in the following chart and push the **F-End Cap with Spring** in place on the **A-Screen Cassette Assembly**. A rubber mallet is helpful to fully seat the **F-End Cap with Spring**. Note that the spring in the cassette is for tension only. You will need to raise and lower the screen by using the **G-End Cap with Operating Wand**.

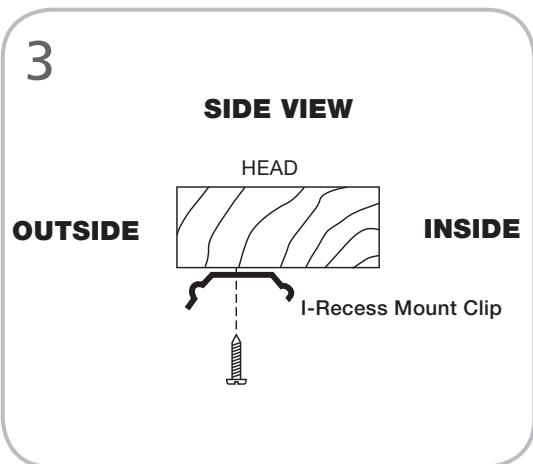
OPENING WIDTH	SPRING TENSION
36" - 72"	25
73" - 120"	30
120" - 140"	35
140" - 192"	40



### OPPOSITE END OF CARTRIDGE

Test **Operating Wand** (see page 10) for smooth operation. If it's too tight, loosen allen screw on the **G-End Cap with Operating Wand**. Insert the **G-End Cap with Operating Wand** into **A-Screen Cassette Assembly** and push into place.

Slide one piece of the **J-Weatherstrip** into bottom slot of **D-Pull Bar** and the other piece into the top of **A-Screen Cassette Assembly**. The **M-Weight Bars** are already inserted inside the **D-Pull Bar**. Now insert the **E-Pull Bar End Caps** into ends of **D-Pull Bar** [Fig 2B].



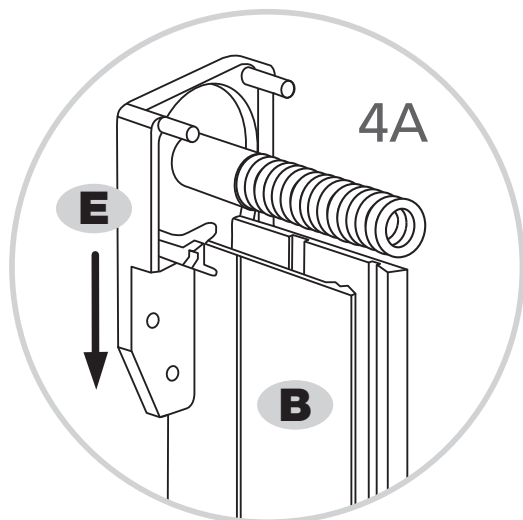
## 3 MOUNTING THE SCREEN CASSETTE

Mount the **I-Recess Mount Clips** to the inside of opening. When installed, the clips should be centered above the cassette. Install a **N-#8x1" (25mm) Panhead Screw** into the center of the slot to allow front to back adjustment [Fig 3].

Snap the **A-Screen Cassette Assembly** into place. Secure the **A-Screen Cassette Assembly** in place by screwing the **F-End Cap** and **G-End Cap** to the side jamb of the opening. The **I-Recess Mount Clips** and **A-Screen Cassette Assembly** may be reversed to face toward the inside or outside of an opening depending upon which side the **Operating Wand** needs to be accessible.

**NOTE:** the **I-Recess Mount Clips** lower the **A-Screen Cassette Assembly** in the opening by 1/4". The same 1/4" gap should be left above the **F & G-End Caps** to avoid bowing the cassette.

### 4 INSTALLING SIDE RAILS



Install the L-Pull Bar Locks at the bottom of each B-Inside Rail. Be sure that the L-Pull Bar Locks can engage the D-Pull Bar as shown [Fig 4C]. Slide both C-Outside Rails onto the tabs protruding from the F and G-Cassette End Caps [Fig 4A]. Attach to jamb with N-#8x1" (25mm) Panhead Screws. Press B-Inside Rails into C-Outside Rails [Fig 4B] with the shorter pile to the inside [Fig 4D] until they are evenly seated.

Using the height adjustment wheels on the L-Pull Bar Locks, adjust the height to the appropriate level so they easily engage the D-Pull Bar. When correctly adjusted, the latching and unlatching should be smooth and easy.

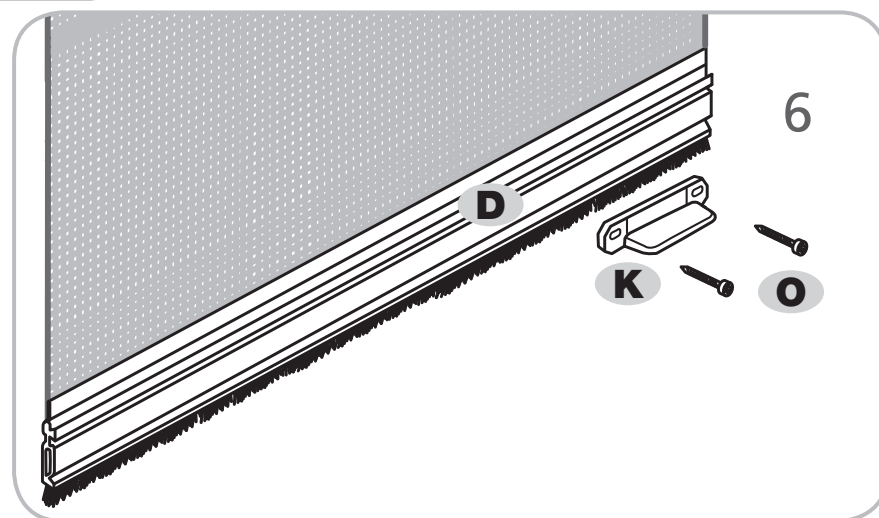
### 5 CHAIN LOCK

Position H-Chain Lock on the side wall jamb near the A-Screen Cassette Assembly where it can engage the operating wand chain. Attach to the jamb using a N-#8 x 1" (25mm) Phillips Panhead Screw.

When the screen is fully extended and being used, the Operating Wand should be operated so that the screen fabric is taut in the opening. If necessary, the exposed chain can be secured by the H-Chain Lock to help retain the screen fabric in the B-Inside Rails as wind blows against the screen fabric.

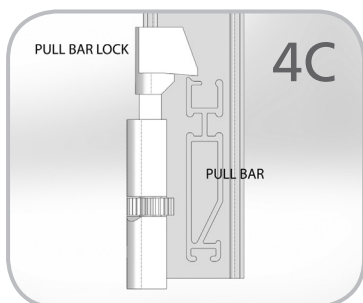
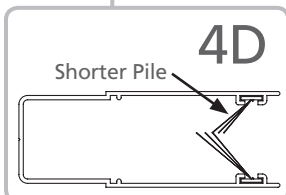
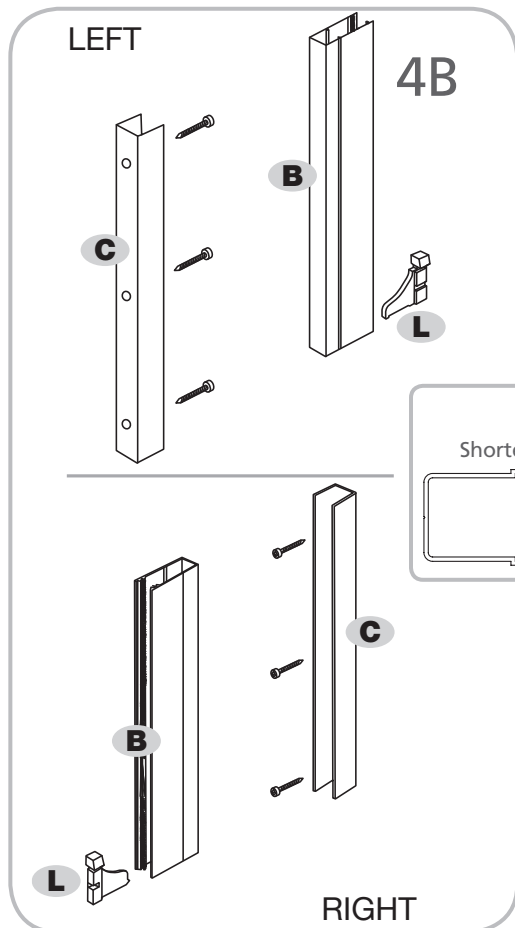
### 6 FOOT RELEASE LEVER

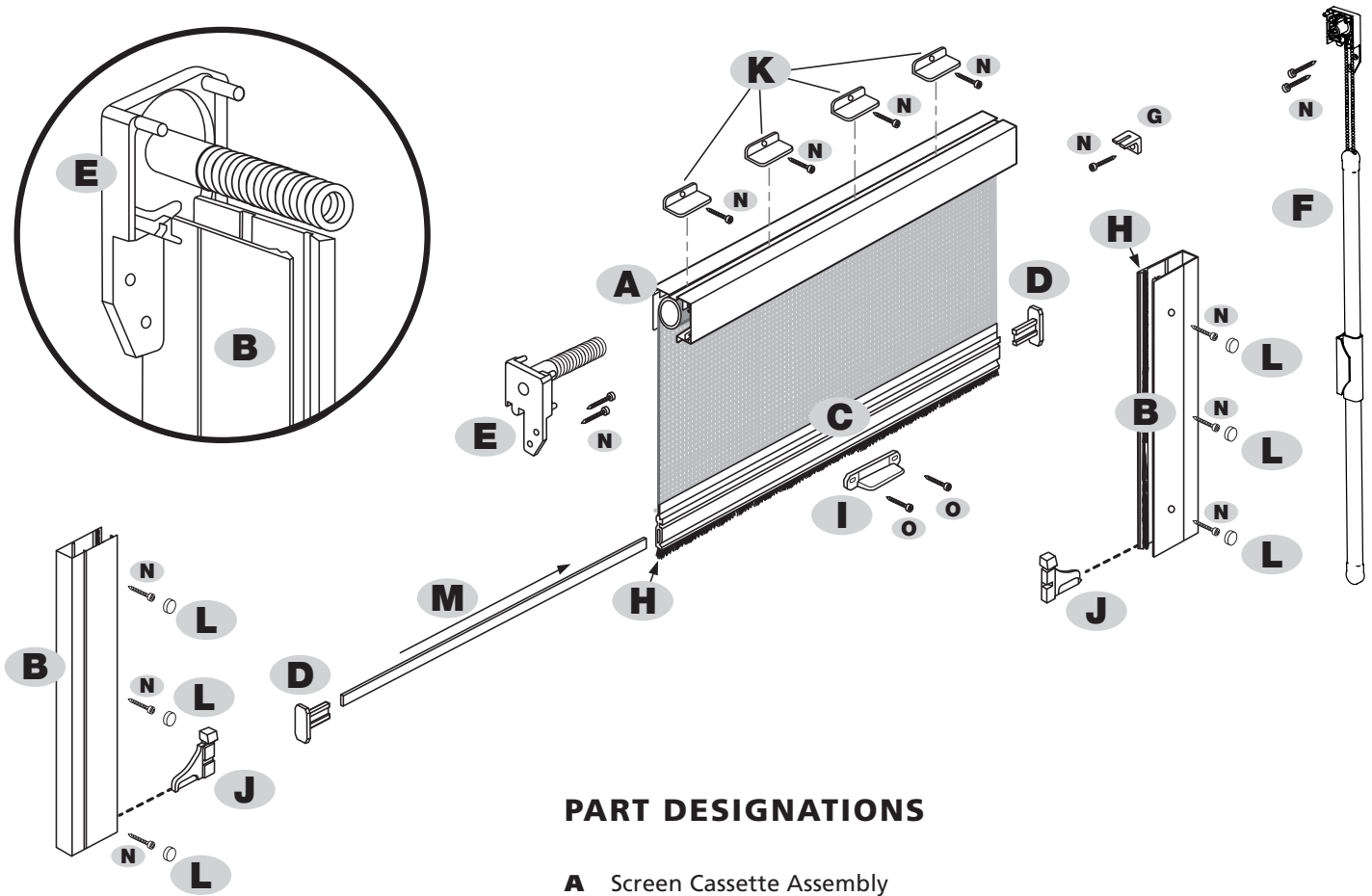
The K-Foot Release Lever is an optional feature that makes it easier to slightly rotate the D-Pull Bar in order to disengage the L-Pull Bar Locks [Fig 4C] without bending over. Before installing, position the K-Foot Release Lever 12" to 20" from the end of the D-Pull Bar on the side closest to the Operating Wand. Attach the K-Foot Release Lever to the D-Pull Bar using two O-#6 x 3/8" (9mm) Phillips Panhead Screws.



*Windy conditions may affect the performance of a retractable screen. Retract the screen in windy circumstances, during inclement weather, when not needed to support immediate ventilation or during prolong periods when not used.*

**See page 10 for Operating Wand Instructions.**





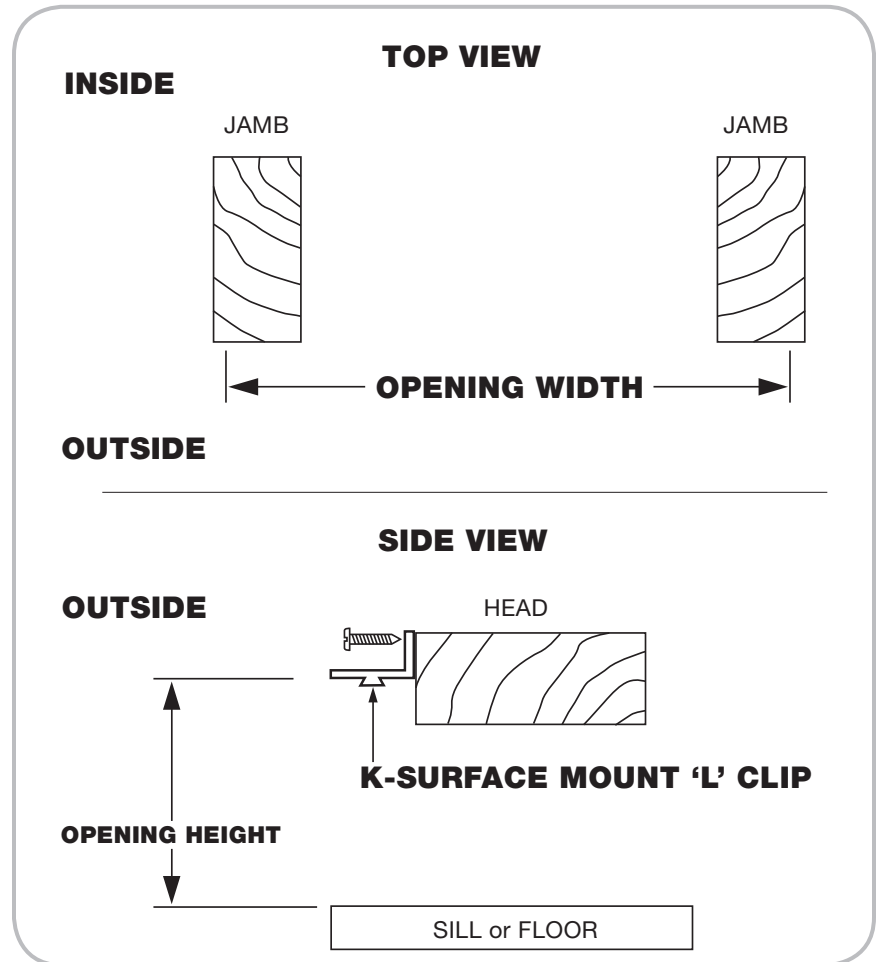
### PART DESIGNATIONS

- A** Screen Cassette Assembly
- B** Inside Rails
- C** Pull Bar
- D** Pull Bar End Caps
- E** End Cap with Spring
- F** End Cap with Operating Wand
- G** Chain Lock
- H** Weatherstrip
- I** Foot Release Lever
- J** Pull Bar Locks
- K** Surface Mount 'L' Clips
- L** Screw Cover Caps
- M** Weight Bar
- N** #8 x 1" (25mm) Panhead Screw
- O** #6 x 3/8" (9mm) Phillips Panhead Screw



# 1 MEASURING AND CUTTING

Determine the maximum opening height & width for mounting your screen, as shown below. Check for interference with any door or window.

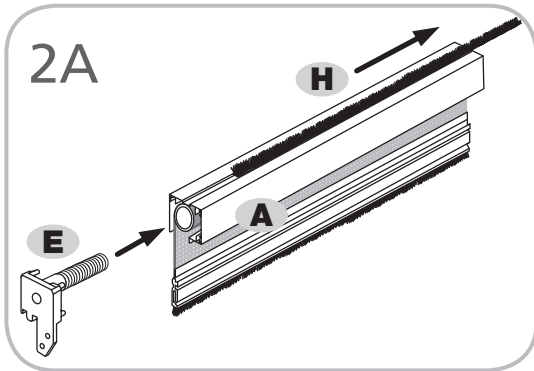


**IMPORTANT**  
 Be sure to make smooth, straight cuts. Only cut the A-Screen Cassette Assembly on the end *without* the F-End Cap with Operating Wand.

Record your opening measurements on the chart below to calculate your measurements.

Width		
OPENING WIDTH	LESS 7/8" TO ALLOW FOR END CAPS	CASSETTE LENGTH (A)
_____ "	— 7/8" —	= _____ "
Height		
OPENING HEIGHT	LESS 2-1/8" TO ALLOW FOR CASSETTE END CAPS AND SURFACE MOUNT CLIPS	INSIDE & OUTSIDE RAIL LENGTHS (B & C)
_____ "	— 2 1/8" —	= _____ "

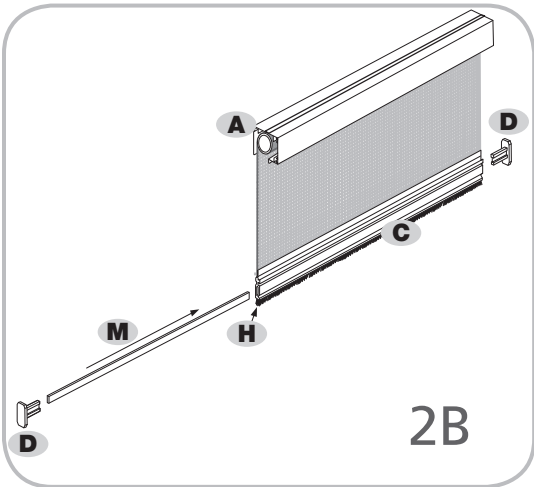
Cut all parts to length using the calculations above.  
 Keep the plastic film on the cassette until all cuts are completed.



## 2 PREPARING THE SCREEN CASSETTE

Insert **E-End Cap with Spring** into the correct end of the **A-Screen Cassette Assembly** [Fig 2A] (the assembly will only fit correctly in one end). Make sure to line up the spring and bushing notches with one of the small slots in the center screen tube. Wind the spring clockwise the number of turns designated in the following chart and push the **E-End Cap with Spring** in place on the **A-Screen Cassette Assembly**. A rubber mallet is helpful to fully seat the **E-End Cap with Spring**. Note that the spring in the cassette is for tension only. You will need to raise and lower the screen by using the **F-End Cap with Operating Wand**.

Remove the **H-Weatherstrip** from the groove at the back of the **A-Screen Cassette Assembly**. This weatherstrip is not used in a surface mount application [Fig 2A].

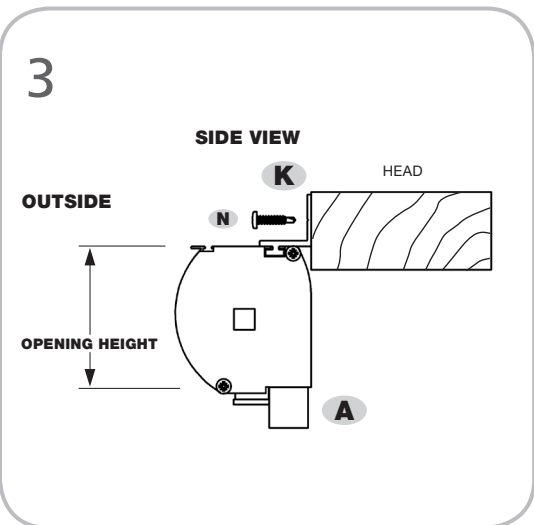


OPENING WIDTH	SPRING TENSION
36" - 72"	25
73" - 120"	30
120" - 140"	35
140" - 192"	40

### OPPOSITE END OF CARTRIDGE (SEE PAGE 10)

Test **Operating Wand** for smooth operation. If it's too tight, loosen allen screw on the **F-End Cap with Operating Wand**. Insert the **F-End Cap with Operating Wand** into **A-Screen Cassette Assembly** and push into place.

Slide one piece of the **H-Weatherstrip** into bottom slot of **C-Pull Bar**. The **M-Weight Bars** are already inserted inside the hollow of the **C-Pull Bar**. Now insert the **D-Pull Bar End Caps** into ends of **C-Pull Bar** [Fig 2B].



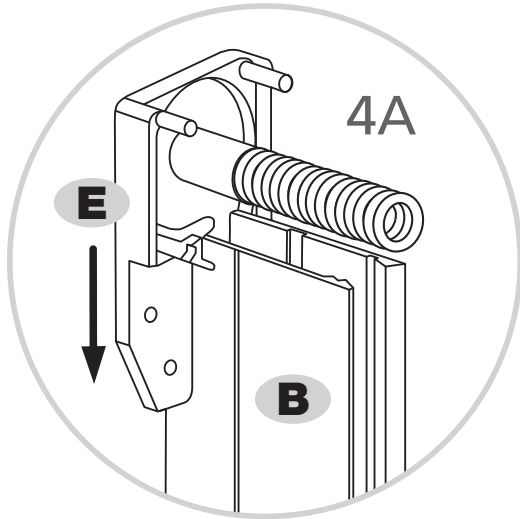
## 3 MOUNTING THE SCREEN CASSETTE

Slide the **K-Surface Mount 'L' Clips** into the top of the **A-Screen Cassette**.

The clips should be evenly spaced along the **A-Screen Cassette Assembly**. Make sure cassette is level and then screw clips in place with **N-#8x1" (25mm) Pan Head Screws**.



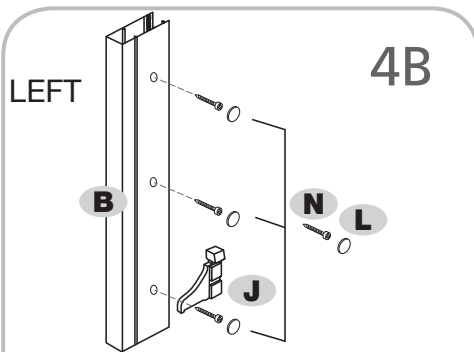
### 4 INSTALLING SIDE RAILS



Install the **J-Pull Bar Locks** at the bottom of each **B-Inside Rail**. Be sure that the **J-Pull Bar Lock** can engage the **C-Pull Bar** as shown in image [Fig 4C]. Slide **B-Inside Rails** onto the tabs protruding from the **E and F-Cassette End Caps**, with the shorter pile to the inside [Fig 4D]. Use an 1/8" drill bit and first drill through both sides of the **B-Inside Rails** where they are to be fastened. Next, using a 3/8" bit, drill through the outside face only. This will allow you to snap the **L-Screw Cover Caps** in place. Square and attach **B-Inside Rails** with **N-#8 x 1" (25mm) Phillips Panhead Screws**. Install **L-Screen Cover Caps** into each hole in the **B-Inside Rails**.

Using the height adjustment wheels on the **J-Pull Bar Locks**, adjust the height to the appropriate level so they easily engage the **C-Pull Bar**. When correctly adjusted the latching and unlatching should be smooth and easy.

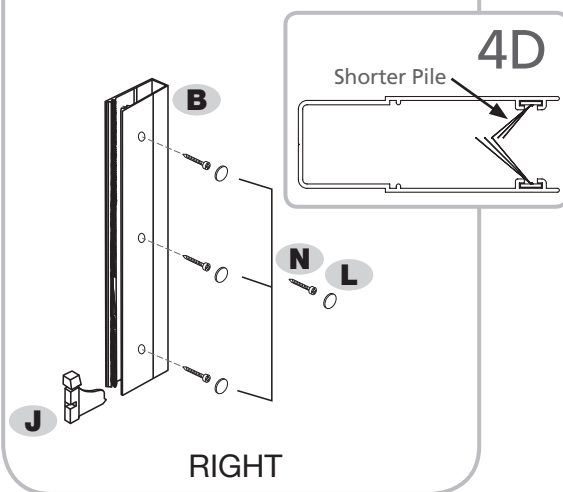
### 5 CHAIN LOCK



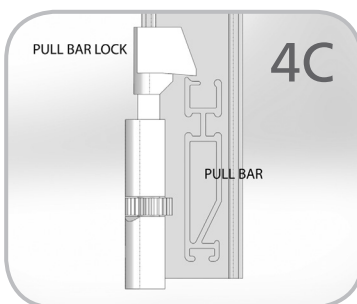
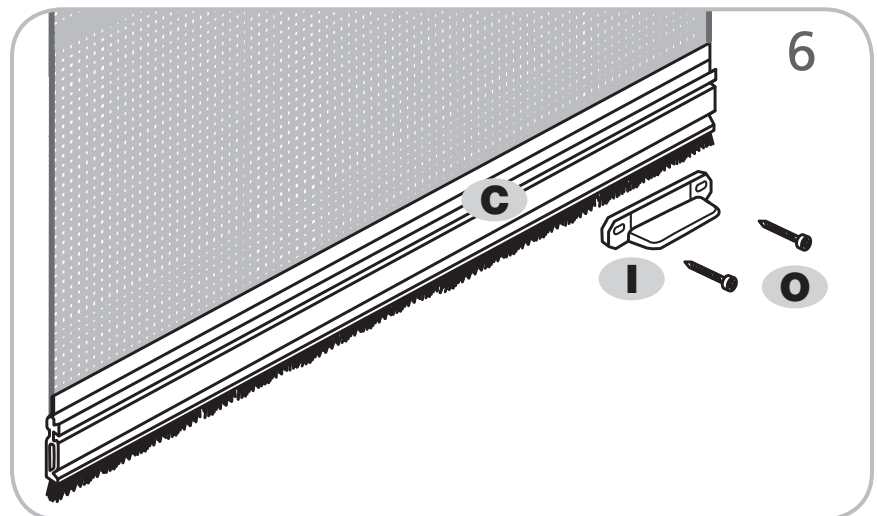
Position **G-Chain Lock** on the side wall jamb near the **A-Screen Cassette Assembly** where it can engage the **Operating Wand chain**. Attach to the jamb using a **N-#8 x 1" (25mm) Phillips Panhead Screw**.

When the screen is fully extended and being used, the **Operating Wand** should be operated so that the screen fabric is taut in the opening. If necessary, the exposed chain can be secured by the **G-Chain Lock**. This will help retain the screen fabric in the **B-Inside Rails** as wind blows against the screen fabric.

### 6 FOOT RELEASE LEVER

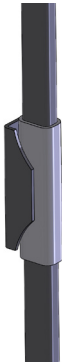


The **I-Foot Release Lever** is an optional feature that makes it easier to slightly rotate the **C-Pull Bar** in order to disengage the **J-Pull Bar Locks** [Fig FIG 4C] without bending over. Before installing, position the **I-Foot Release Lever** 12" to 20" from the end of the **C-Pull Bar** on the side closest to the **Operating Wand**. Attach the **I-Foot Release Lever** to the **C-Pull Bar** using two **O-#6 x 3/8" (9mm) Phillips Panhead Screws**.



*Windy conditions may affect the performance of a retractable screen. Retract the screen in windy circumstances, during inclement weather, when not needed to support immediate ventilation or during prolong periods when not used.*

**See page 10 for Operating Wand Instructions.**

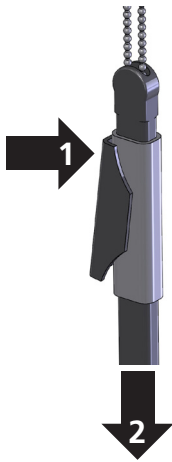


**OPERATING WAND INSTRUCTIONS**

The Retractable Screen is raised and lowered by squeezing the top or bottom of the tilt handle on the Operating Wand and then pulling the handle downward.

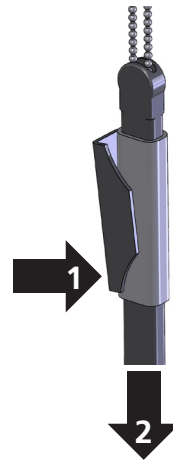
**NOTE: DO NOT operate the screen by pulling up or down on the bottom screen rail. Operate only with the Operating Wand.**

Neutral Position



**TO RAISE THE SCREEN**

Put the tilt handle in the neutral position. Then slide it up to a comfortable height. Next, while squeezing the TOP of the tilt handle, pull the handle downward. Repeat until the screen reaches the desired position.



**TO LOWER THE SCREEN**

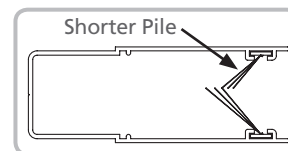
Put the tilt handle in the neutral position. Then slide it up to a comfortable height. Next, while squeezing the BOTTOM of the tilt handle, pull the handle downward. Repeat until the screen reaches the desired position.

## TROUBLESHOOTING GUIDE

Retractable screens should always be installed square, plumb and level.

### THE SCREEN FABRIC GETS BLOWN OUT OF THE SIDE TRACKS

- ▶ An Anti-Wind Brush Pile is located inside the Inside Rails. This Anti-Wind Pile is designed so that the stiff bristles of the Brush Pile will engage inside the holes of the screen fabric as wind blows/pushes on the fabric. Check that the aluminum walls of the Inside Rails have not been bent outward during customer installation since this will prevent proper engagement. If needed take your thumb and forefinger and gently run them along the length of the Inside Rails altering these back into a straight 90-degree position. This will reposition the Anti-Wind Pile so that it can perform as intended.
- ▶ Be sure that the Pull Bar Lock engages the Pull Bar as shown in image [Fig 4C]. Using the height adjustment wheel on the Pull Bar Lock, adjust the height to the appropriate level so that it easily engages the Pull Bar. When correctly adjusted the latching and unlatching should be smooth and easy and the screen will stay latched until manually released.
- ▶ Check that the Anti-Wind Brush Pile has not been deformed or damaged and that it is still pointing in a 60 degree angle within the Inside Rails.
- ▶ Add an additional Weight Bar (or other ballast material) inside the Pull Bar.
- ▶ Windy conditions may affect the performance of a retractable screen. Retract the screen in windy circumstances, during inclement weather, when not needed to support immediate ventilation or during prolong periods when not used.



### THE SCREEN IS DIFFICULT TO PULL DOWN OR UP

- ▶ Check that the screen has been installed in a square and plumb opening. Adjust the opening as needed.
- ▶ An Anti-Wind Brush Pile is located just inside the Inside Rails. Gently run your finger or another soft object down each side of the screen fabric in order to release the engagement of the Anti-Wind Brush Pile within the small openings in the Screen Fabric. Now retract the screen.
- ▶ Check and correct any interference (e.g. screws or debris) inside the Inside Rails.
- ▶ Check that the Pull Bar glides smoothly. Slightly trim the aluminum PULL BAR if needed.
- ▶ Check to see if the Weatherstrip is catching or binding in the Inside Rails
- ▶ Remove the plastic Cassette End Cap with Operating Wand from the Screen Cassette Assembly and verify that the bolt or allen screw is not fastened so tightly that it is restricting the operation.

### THE SCREEN DOES NOT RETRACT EVENLY

- ▶ Check that the screen has been installed in a square and plumb opening. Correct the opening as needed.
- ▶ Pull the screen all the way down to the bottom of the opening and then retract the screen. This will often help the screen fabric to realign.
- ▶ Pull the screen all the way down to the bottom of the opening. Look to see if there are creases in the fabric or other signs indicating that the screen fabric may have rolled over itself inside the Screen Cassette Assembly. If needed remove the Screen Cassette Assembly from the opening, extend (unroll) all of the screen fabric and on the Screen Cassette Assembly and then retract the fabric making sure to remove any wrinkles or creases.

### ANTI-WIND BRUSH PILE MOVES IN THE SIDE GUIDE RAILS

- ▶ The Anti-Wind Brush Pile that is located inside the aluminum Inside Rails need to be crimped securely in place so that it does not move within the channels of the Inside Rails (see step 4).

### The L-PULL BAR LOCKS DO NOT CATCH ON THE D-PULL BAR

- ▶ Adjust the height of the latch on the Pull Bar Locks using the wheel style finger adjustment. The engagement of the Pull Bar Locks to the Pull Bar should match image 4C.

### THE D-PULL BAR MOVES DURING WINDY CONDITIONS

- ▶ Fasten the Operating Wand Chain in the Chain Lock when the screen is resting in the fully up or down position.
- ▶ Add an additional Weight Bar (or other ballast material) inside the Pull Bar.
- ▶ Windy conditions may affect the performance of a retractable screen. Retract the screen in windy circumstances, during inclement weather, when not needed to support immediate ventilation or during prolong periods when not used.

### THE SCREEN IS TORN OR WRINKLED

- ▶ Contact dealer to order a Screen Refill Replacement Kit

### THE J-WEATHER STRIP DOES NOT SEAL AGAINST THE FLOOR/SILL

- ▶ Check that the screen has been installed in a square and plumb opening. Correct the opening as needed.
- ▶ Contact dealer to order the slightly larger optional Rubber Bulb Seal.
- ▶ Adjust the height of the latch on the Pull Bar Locks using the wheel finger adjustment. The engagement of the Pull Bar Locks to the Pull Bar should match image 4C.
- ▶ Add an additional Weight Bar (or other ballast material) inside the Pull Bar.
- ▶ Lower the screen tight to the floor/sill and then secure the Chain in the Chain Lock.

### WHEN RETRACTED THE L-PULL BAR WITH SCREEN FABRIC FALLS DOWN SEVERAL INCHES

- ▶ Secure the Operating Wand Chain in the Chain Lock when the screen is resting in the up position.
- ▶ Add spring tension.



Installation Questions? Missing Parts? Replacement Parts?

**DON'T GO BACK TO THE STORE!**

Please call our Homeowner HelpLine: 1-888-483-3768



## Retractable Screen Warranty

Larson Manufacturing Company  
Retractable Screen Limited Five Year Warranty

The five year limited warranty applies to the original purchaser of owner occupied homes and covers mechanical components excluding screen fabrics. LARSON warrants the cassette, mounting rails and latch to be free from defects in manufacturing, materials, paint adhesion or workmanship, under normal use, for the period stated above.

Fading is only covered by this warranty during the first year. In order to obtain performance under this limited warranty, the original owner shall notify LARSON with proof of purchase. The obligations of this warranty will be completed within ninety (90) days after notice of a defect or malfunction has been furnished directly to LARSON.

The following are limitations and exclusions from the warranty:

- If usage, adaptation, or installation are not in accordance with LARSON installation and operation instructions.
- If the products have been used to perform functions they were not designed to perform.
- Damage due to acts of nature, abuse, or misuse.
- Damage including tears to the screen are not covered under warranty.
- Acts of nature including wind damage and flooding are not covered under warranty.
- Damages resulting from improper installation or misuse are not covered under the warranty.
- Labor cost and reinstallation fees are not covered under warranty.
- Water damage due to lack of rain diversion or structural overhang is not covered under warranty.
- Certain coastal applications, chemicals or airborne pollutants such as salt or acid rain are not covered under warranty.
- Your exclusive remedy is limited to the repair and replacement of the defective product.

Upon receipt of goods ordered, please examine for proper models, size, and colors. LARSON will replace products if a manufacturing or shipment error is made.

<p><b>For warranty assistance please call:</b> <b>1-888-483-3768</b></p>	<p>The following information is necessary to process your warranty:</p> <ol style="list-style-type: none"><li>1. Registration Number</li><li>2. Proof of Purchase</li></ol>
--	---