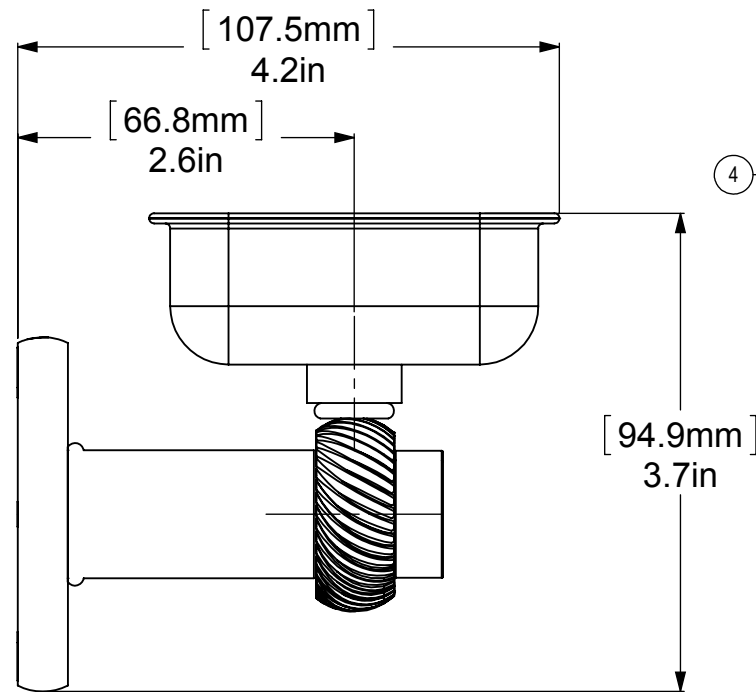
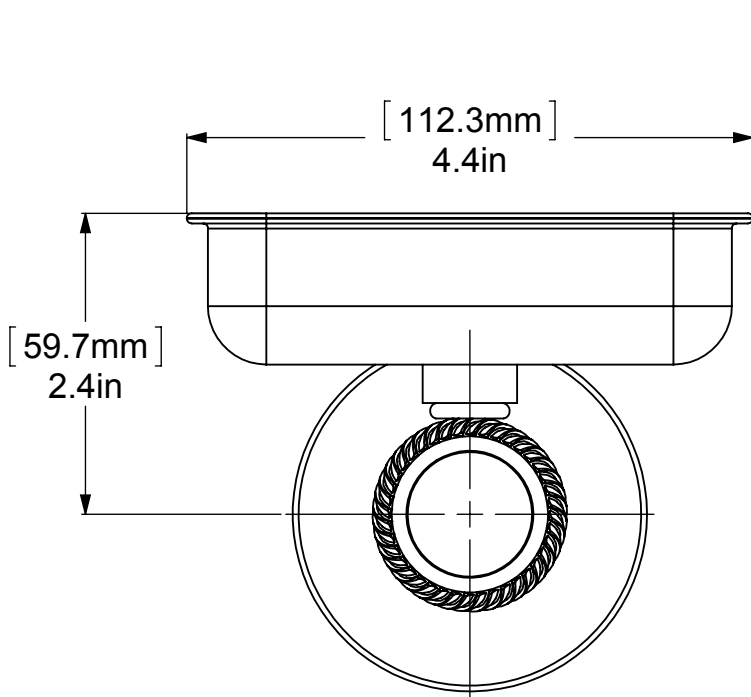
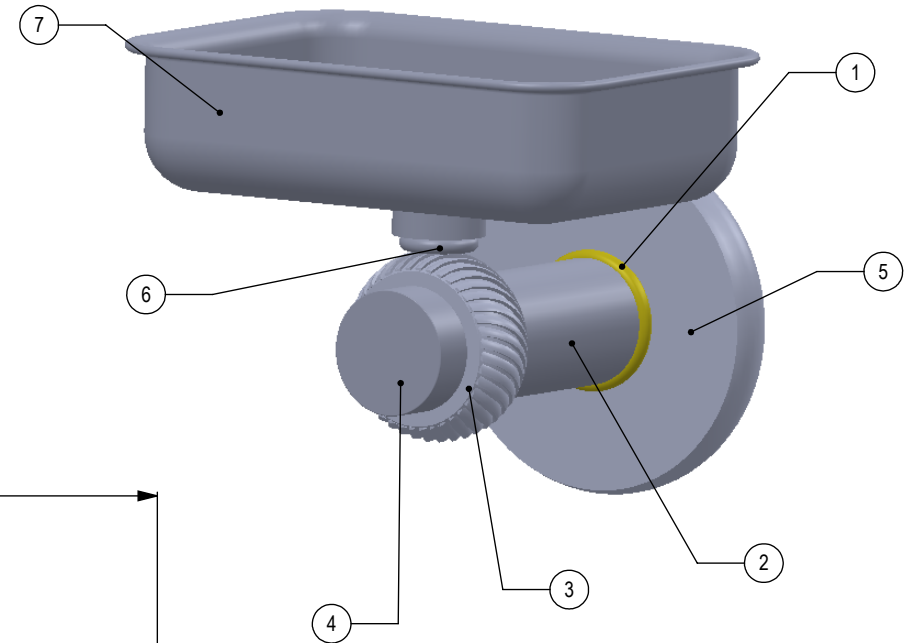


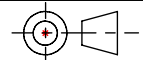
ITEM NO.	PART NUMBER	DESCRIPTION	QTY.
1	CRRD-1	CHECK RING	1
2	TU1-2	TUBE	1
3	RGTWD	HUB	1
4	CARD-1	CAP	1
5	BPRD	BASE	1
6	CRRD-12	CHECK RING-1	1
7	HRRTS	TOP PLATE	1



UNLESS OTHERWISE STATED

.X	±.3mm
.XX	±.15mm
.XXX	±.008mm

COPYRIGHT © Allied Brass 2017



THIRD ANGLE PROJECTION

DRAWN	7/5/2017	I.M
CHECKED	7/5/2017	P.D
APPROVED	7/5/2017	R.A

MATERIAL:	BRASS	
DESCRIPTION:	Mercury Collection Soap Dish	

FINISH	TBD
QUANTITY	TBD
DRAWING No.	932T
REV	0
SCALE	1:3
SHEET: 01	A4