



Count on it.

Parts Catalog

TimeCutter® ZX5400

Riding Mower

Model No. 75202—Serial No. 40000000 and Up



Ordering Replacement Parts

To order replacement parts, please supply the part number, the quantity, and the description of each part desired.

Understanding Reference Numbers

Each identified part in an illustration has a reference number. The reference number for a part also appears in the parts list, along with other information about the part.

This catalog uses two special reference number formats, one to indicate parts in a service assembly and another to indicate the quantity of a given part in an illustration.

Service Assembly Reference Numbers

Parts in service assemblies have reference numbers in the form a:b. The a represents the reference number of the entire service assembly and the b represents a sequential number unique to each part within the service assembly.

For example, a wheel assembly might be identified by reference number 6, the tire by 6:1, the valve by 6:2, and the wheel by 6:3. When you order the assembly identified by reference number 6, you receive all parts identified by reference numbers 6:1, 6:2, and 6:3. However, you may also order any part individually. Reference numbers of this type appear in illustration and in parts lists.

Reference Numbers Indicating Quantity

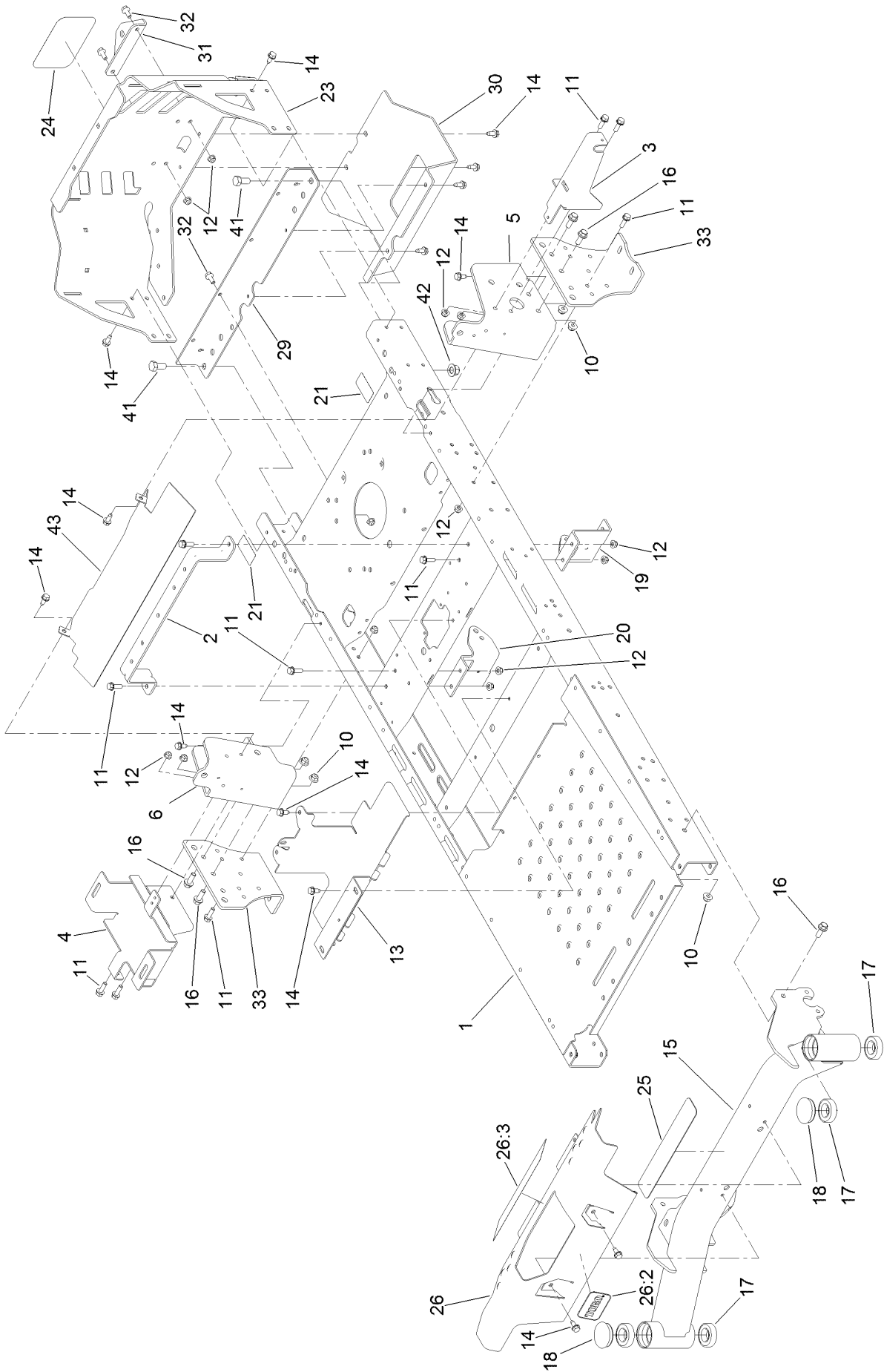
In an illustration, if a reference number indicates more than one part, the reference number has the form nX y. The n represents the quantity of the part, the X is the multiplication symbol, and the y represents the reference number.

For example, in an illustration, the reference number 2X 37 means that two of the parts identified by reference number 37 are indicated.

Contents

Frame Assembly	4
Deck Lift Assembly	6
Caster Fork Assembly	8
Hydro Transmission Assembly	10
LH Transaxle Assembly No. 133-4420	12
RH Transaxle Assembly No. 133-4421	14
Parking Brake Assembly	16
Rear Tire and Wheel Assembly	18
Seat Assembly	20
Motion Control Assembly	22
Engine and Muffler Assembly	24
Fuel System Assembly	26
Carburetor Assembly	28
Air Intake and Filtration Assembly	30
Ignition and Electrical Assembly	32
Crankcase and Crankshaft Assembly	34
Governor Control Assembly	36
Piston and Cylinder Head Assembly	38
Blower Housing Assembly	40
Gasket and Seal Kit	42
Body Styling and Fuel Tank Assembly	44
Fuel Tank Assembly No. 133-4484	46
Electrical Assembly	48
Deck Assembly	50
Model Specific Decal Assembly	52
Series Decal Assembly	54
Clutch Assembly	56
Attachments and Accessories	58

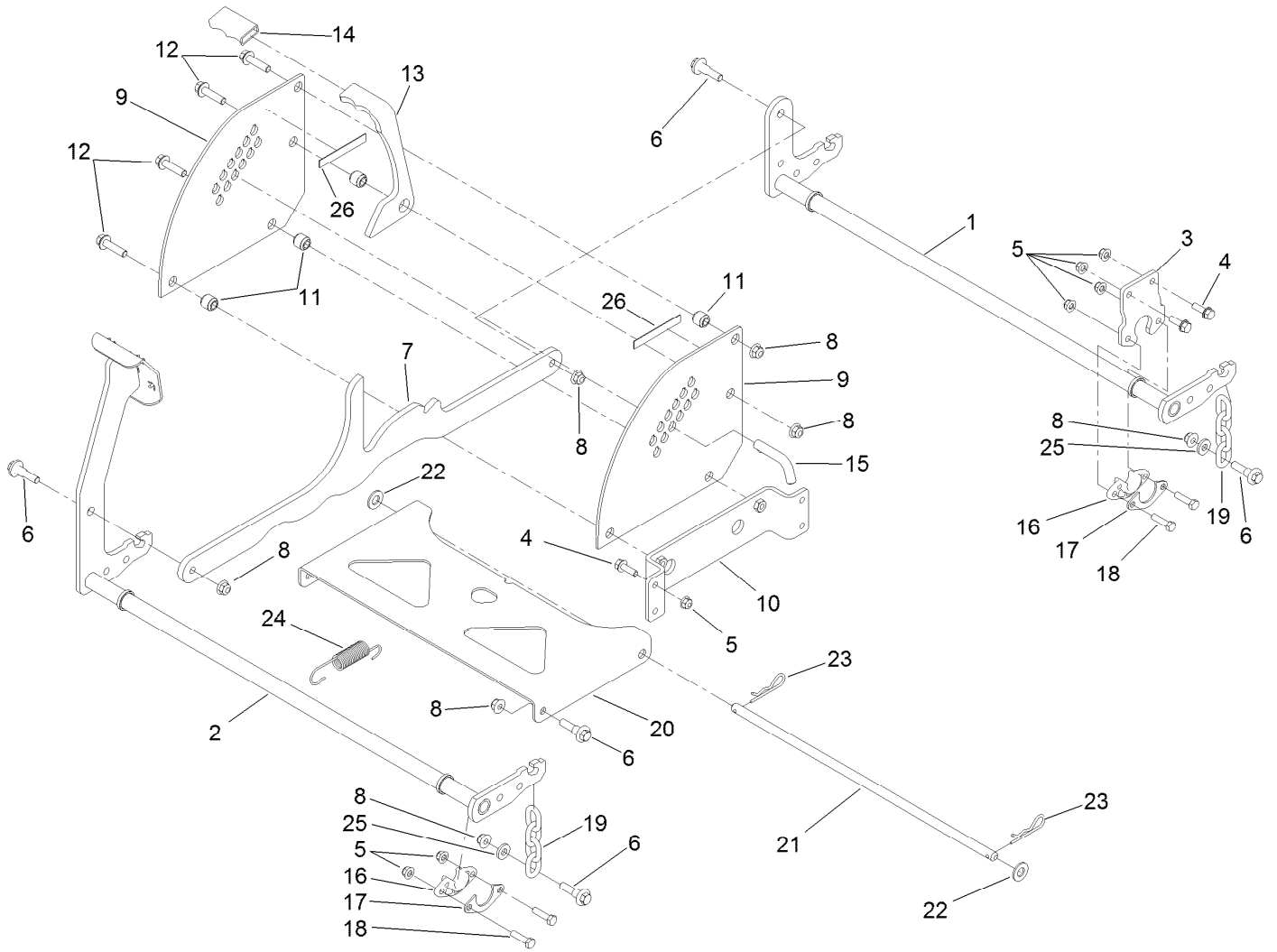
Frame Assembly



Frame Assembly (continued)

<i>Ref.</i>	<i>Part Number</i>	<i>Qty.</i>	<i>Description</i>	<i>Ref.</i>	<i>Part Number</i>	<i>Qty.</i>	<i>Description</i>
1	133-1191-01	1	Frame ASM	20	131-0901-01	1	Mount-Hydro, Front (RH)
2	135-0687-03	1	Brace-Seat,Rear (Wide)	21	121-2989	2	Decal-Bypass
3	133-7051-03	1	Bracket-Pod Support, LH	23	133-4431-03	1	Guard-Engine
4	136-4185-03	1	Tray-Battery	24	99-4693	1	Decal
5	133-4383-01	1	Bracket-Mounting, LH	25	133-9253	1	Tread-Step
6	133-4384-01	1	Bracket-Mounting, RH	26	136-9190	1	Footrest
10	104-8301	10	Nut-HF, NI	26:2	63-3280	1	Decal
11	3234-29	16	Screw-HHF	26:3	133-9255	1	Decal-Danger
12	104-8300	22	Nut-HF, NI	29	133-4303-01	1	Crossmember-Rear
13	133-4485-03	1	Bracket-Mount	30	133-4429-03	1	Guard-Muffler
14	32144-70	24	Screw-HWHTF	31	117-1232-03	1	Bracket-Hitch
15	133-4310-01	1	Axle-Front	32	3234-47	6	Screw-HHF
16	3234-42	10	Screw-HHF	33	133-1201-03	2	Mount-Hydro
17	109-3678	4	Bearing-Ball	41	325-4	2	Screw-HH
18	116-4348	2	Cap-Grease	42	99-5107	2	Nut-Lock
19	131-0902-01	1	Mount-Hydro, Front (LH)	43	136-9183-03	1	Shield

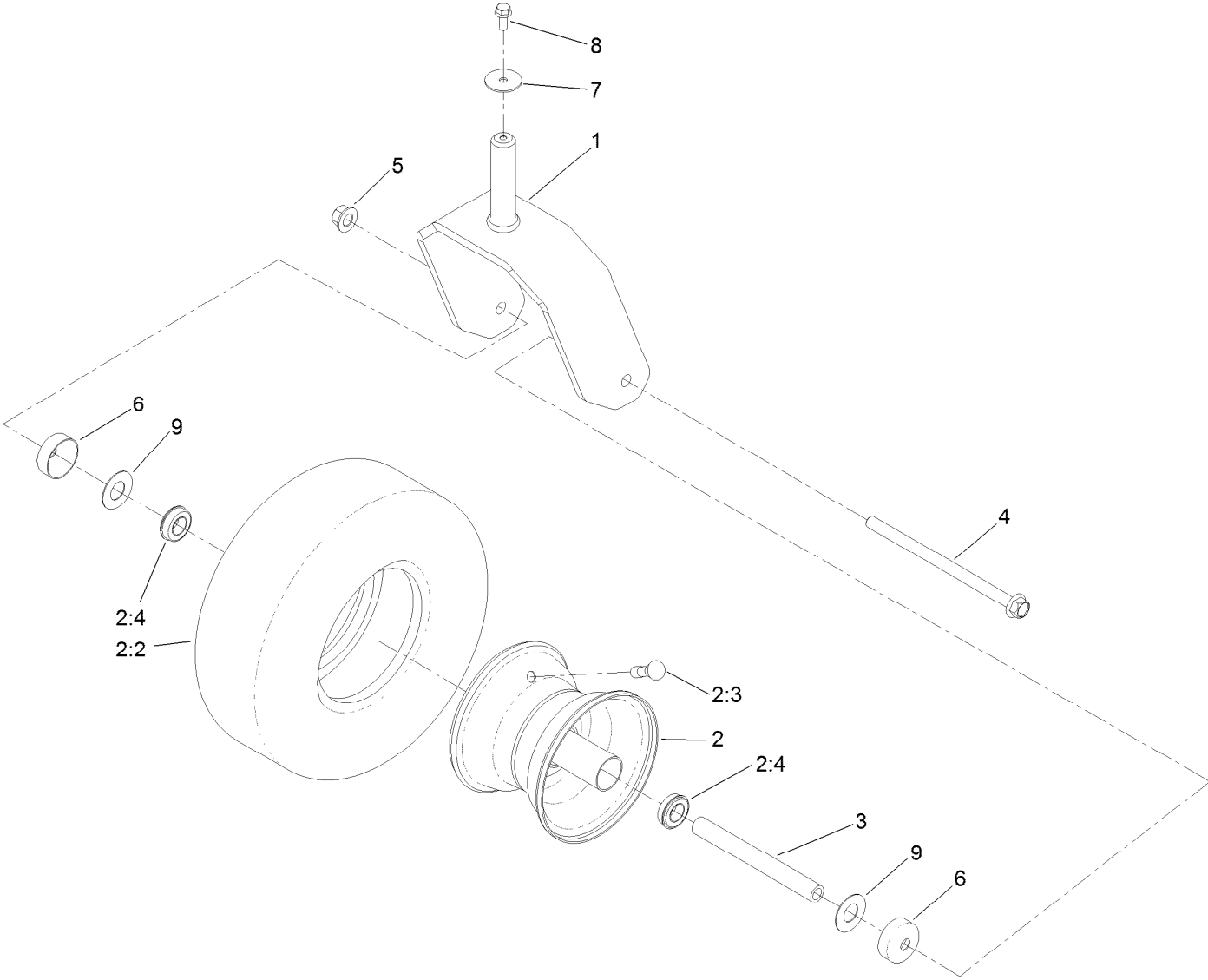
Deck Lift Assembly



Deck Lift Assembly (continued)

<i>Ref.</i>	<i>Part Number</i>	<i>Qty.</i>	<i>Description</i>	<i>Ref.</i>	<i>Part Number</i>	<i>Qty.</i>	<i>Description</i>
1	131-4059-03	1	Pivot-Rear	14	116-4312	1	Grip-Flat
2	133-4430-03	1	Pivot-Front	15	116-5584	1	Pin-HOC
3	133-4316-03	2	Plate	16	115-5065	4	Bushing-Flange
4	3234-29	8	Screw-HHF	17	116-2887	4	Gusset-Lift, Deck
5	104-8300	16	Nut-HF, NI	18	322-6	8	Screw-HH
6	130-0742	8	Bolt-Shoulder	19	130-0668	4	Chain-Decklift
7	127-3390-03	1	Link-HOC	20	133-4311-01	1	Pan-Pivot, Deck
8	104-8301	10	Nut-HF, NI	21	133-7071	1	Rod-Pivot, Deck
9	127-3389-03	2	Plate-Deck, Lift	22	3256-26	2	Washer-Flat
10	133-7049	1	Plate-Lift	23	1-806005	2	Pin-Cotter
11	116-4313	4	Spacer-Step, Double	24	115-9652	1	Spring-Extension
12	114-4681	4	Screw-HHF	25	43-0940	4	Spacer
13	127-3391	1	Lock-Transport, HOC	26	130-0734	2	Pad-Rubber

Caster Fork Assembly



Caster Fork Assembly (continued)

<i>Ref.</i>	<i>Part Number</i>	<i>Qty.</i>	<i>Description</i>	<i>Ref.</i>	<i>Part Number</i>	<i>Qty.</i>	<i>Description</i>
1	126-4312-01	2	Fork-Caster	4	126-5389	2	Screw-HHF
2	133-4428	2	Tire And Wheel ASM	5	99-5107	2	Nut-Lock
2:2	125-5581	1	Tire	6	133-7088	4	Guard-Seal
2:3	232-27	1	Stem-Valve	7	3256-68	2	Washer-Flat
2:4	136-4190	2	Bearing	8	3234-47	2	Screw-HHF
2:99	232-46	1	Tube-Inner ●■	9	136-5590	4	Washer
3	133-4487	2	Spanner-Wheel				

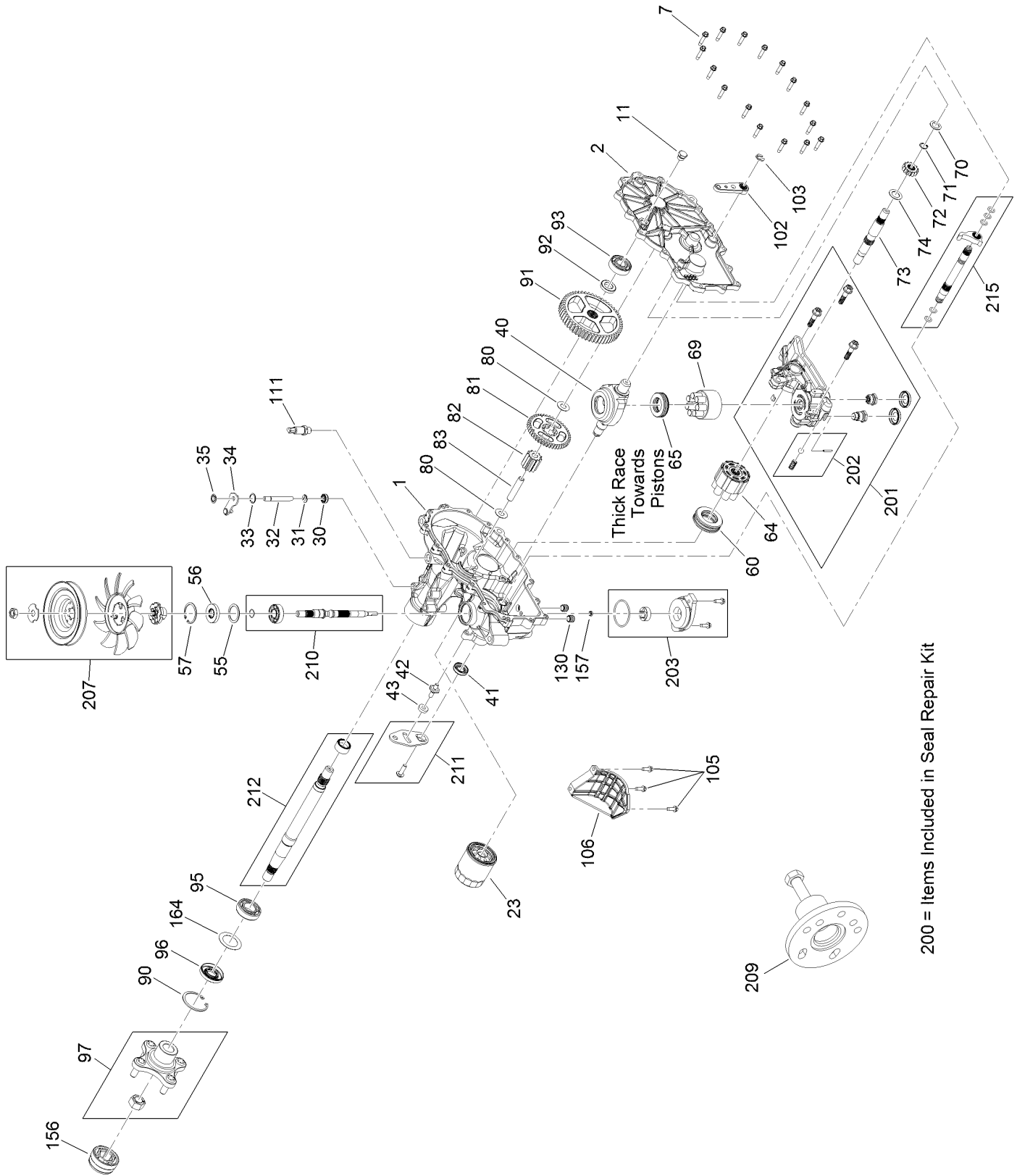
● Not illustrated

■ Optional Equipment

Hydro Transmission Assembly (continued)

<i>Ref.</i>	<i>Part Number</i>	<i>Qty.</i>	<i>Description</i>	<i>Ref.</i>	<i>Part Number</i>	<i>Qty.</i>	<i>Description</i>
1	119-3353	2	Spacer	20	242-50	8	Nut-Lug
2	106-2176	2	Pulley-Idler	21	130-0718-01	1	Plate-Cross, Hydro
3	1-613235	1	Washer	22	323-11	2	Screw-HH
4	110-9981	3	Washer-Plain	23	323-7	2	Screw-HH
5	114-8549	1	Bushing	24	323-9	2	Screw-HH
6	114-0463	2	Washer-Friction, Composite	25	104-8301	6	Nut-HF, NI
7	133-4423	1	Arm-Idler	26	133-4304	1	Rod Bypass, RH
8	104-6415	1	Spring-Return, Pedal	27	133-4305	1	Rod Bypass, LH
9	322-9	1	Screw-HH	28	3256-22	2	Washer-Flat
10	104-8300	9	Nut-HF, NI	29	3290-307	2	Pin-Cotter
11	119-9784	1	Screw-CARR	30	322-14	2	Screw-HH
12	119-8822	1	Pulley-Idler	31	133-1247	2	Support-Hydro, Rear
13	3230-6	1	Screw-CARR	32	3296-29	2	Nut-Lock, NI
14	133-4371	1	V-Belt	34	325-6	4	Screw-HH
15	133-4420	1	LH Hydro Transmission ASM	35	136-4183	2	Breather Kit
16	133-4421	1	RH Hydro Transmission ASM	36	105-1853	2	Clamp-Hose
17	322-11	2	Screw-HH	38	136-4182	2	Hose-Hydro
18	3256-23	6	Washer-Plain	39	117-1193	4	Clamp-Hose
19	322-13	4	Screw-HH	40	3256-3	1	Washer-Flat
				41	99-5107	4	Nut-Lock

LH Transaxle Assembly No. 133-4420

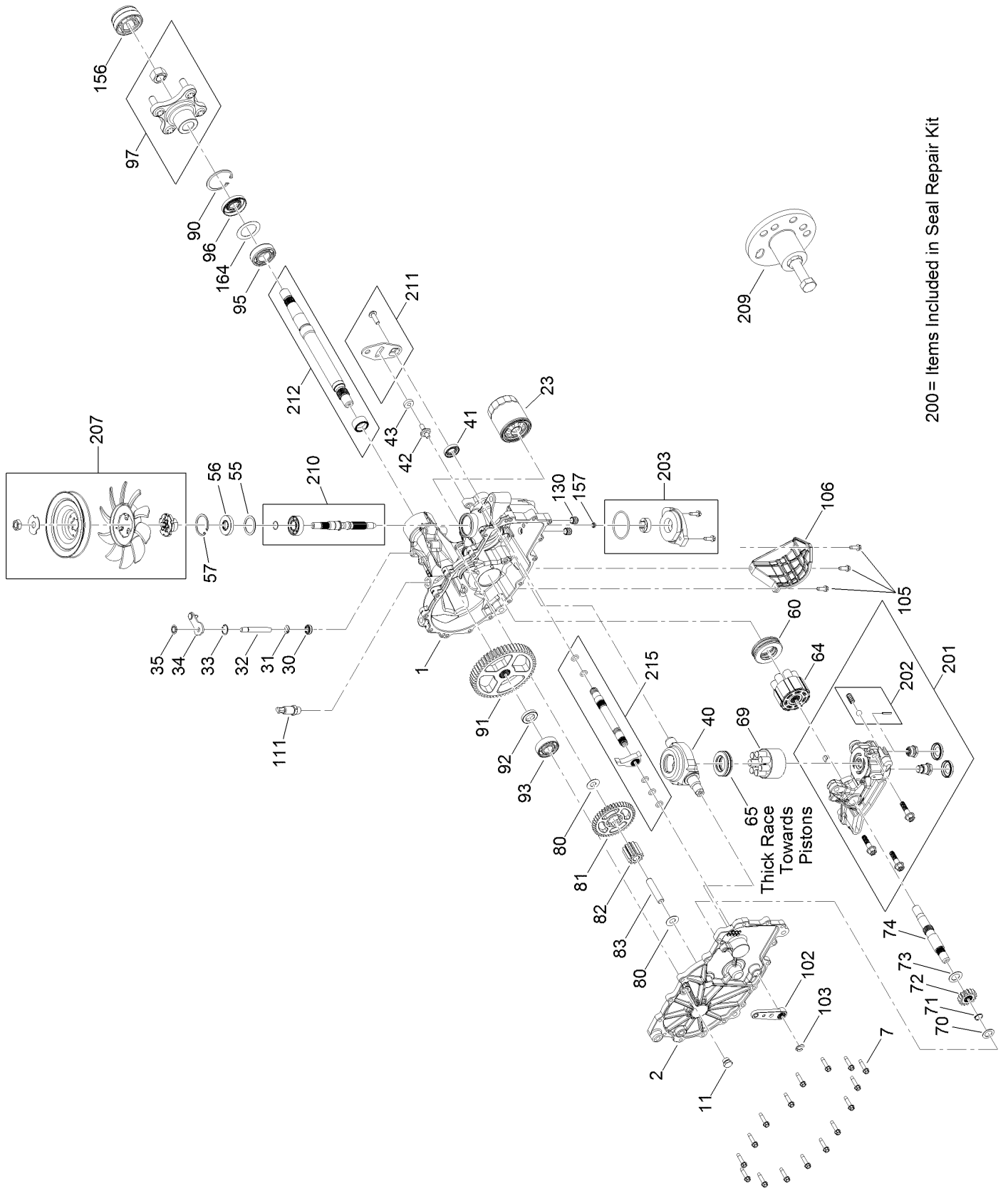


200 = Items Included in Seal Repair Kit

LH Transaxle Assembly No. 133-4420 (continued)

<i>Ref.</i>	<i>Part Number</i>	<i>Qty.</i>	<i>Description</i>	<i>Ref.</i>	<i>Part Number</i>	<i>Qty.</i>	<i>Description</i>
1	117-5357	1	RH Main Housing Kit	82	120-7974	1	Gear-11T
2	117-5358	1	RH Housing Side Kit	83	104-5329	1	Pin-Jackshaft
7	117-5359	16	Screw-HHF	90	104-2169	1	Ring-Retaining
11	135-1140	1	Plug-Straight	91	114-1694	1	Gear-54T
23	109-3321	1	Element-Oil Filter, HYD	92	120-7975	1	Spacer
30	106-8676	1	Seal-Lip	93	137-2004	1	Bearing Kit
31	106-8677	1	Ring-Retaining, EXT	95	109-8110	1	Input Bearing Kit
32	114-1685	1	Rod-Bypass	96	130-8478	1	Seal-Lip
33	106-8679	1	Ring-Retaining, Int	97	109-5939	1	Hub Kit
34	112-9852	1	Arm-Bypass	102	125-0021	1	Handle-Brake
35	106-8681	1	Ring-Retaining, EXT	103	131-0906	1	Ring-Retaining, EXT
40	104-5304	1	Swashplate-Trunnion	105	104-2120	3	Screw
41	104-5313	1	Seal-Lip	106	120-7981	1	Guard-Filter, RH
42	104-2116	1	Stud	111	109-3278	1	Adapter-Straight
43	112-9853	1	Puck-Friction	130	126-3251	2	Tube-Charge
55	104-5308	1	Spacer	156	115-5057	1	Cover-Nut, Axle
56	104-5310	1	Seal-Lip	157	130-8486	1	Seal-Gerotor
57	104-5309	1	Ring-Retaining	164	121-5745	1	Spacer
60	112-4154	1	Bearing-Thrust	200	109-3537	1	Seal Kit
64	114-1689	1	Motor Cylinder Block Kit	201	137-2005	1	RH Charge Center Section Kit
65	94-6922	1	Bearing-Thrust				
69	110-8561	1	Pump Block ASM	202	114-8464	1	Charge Relief Kit
70	104-5339	1	Washer-Flat	203	114-8465	1	Charge Kit
71	104-5340	1	Ring-Retaining	207	137-2006	1	Fan Pulley Kit
72	131-0905	1	Gear-14T	209	114-8467	1	Puller-Hub, 4 Bolt
73	114-1691	1	Shaft-Motor	210	117-5361	1	Input Shaft Kit
74	104-5360	1	Washer	211	117-5362	1	Control Arm Kit
80	119-5541	2	Washer	212	114-8470	1	Axle Shaft Kit
81	114-1692	1	Gear-45T	215	137-2007	1	Brake Shaft Kit

RH Transaxle Assembly No. 133-4421



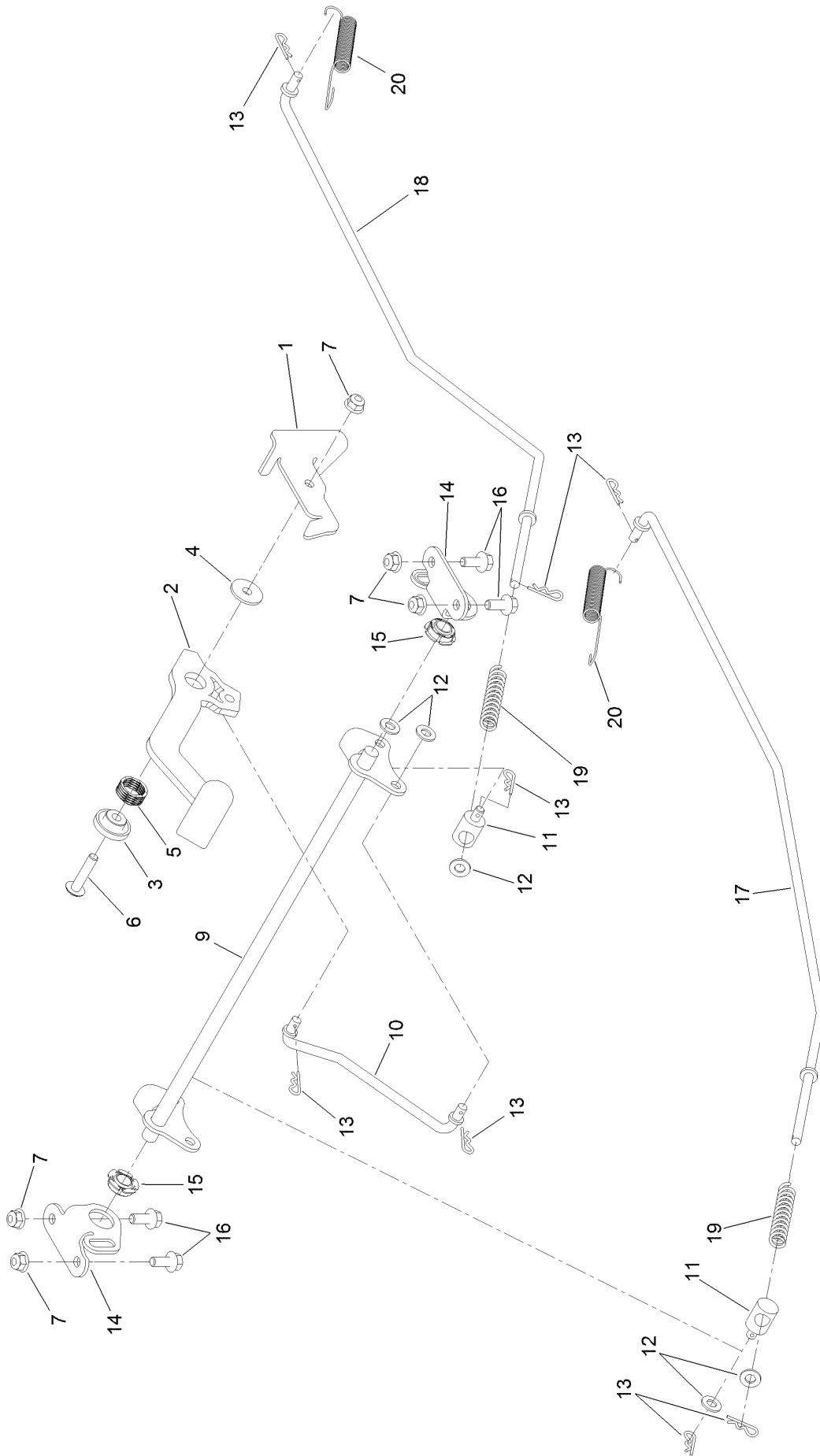
200 = Items Included in Seal Repair Kit

Thick Race Towards Pistons

RH Transaxle Assembly No. 133-4421 (continued)

<i>Ref.</i>	<i>Part Number</i>	<i>Qty.</i>	<i>Description</i>	<i>Ref.</i>	<i>Part Number</i>	<i>Qty.</i>	<i>Description</i>
1	114-8471	1	LH Main Housing Kit	82	120-7974	1	Gear-11T
2	114-8472	1	LH Side Cover Kit	83	104-5329	1	Pin-Jackshaft
7	117-5359	16	Screw-HHF	90	104-2169	1	Ring-Retaining
11	135-1140	1	Plug-Straight	91	114-1694	1	Gear-54T
23	109-3321	1	Element-Oil Filter, HYD	92	120-7975	1	Spacer
30	106-8676	1	Seal-Lip	93	137-2004	1	Bearing Kit
31	106-8677	1	Ring-Retaining, EXT	95	109-8110	1	Input Bearing Kit
32	114-1685	1	Rod-Bypass	96	130-8478	1	Seal-Lip
33	106-8679	1	Ring-Retaining, Int	97	109-5939	1	Hub Kit
34	107-2490	1	Arm-Bypass	102	125-0021	1	Handle-Brake
35	106-8681	1	Ring-Retaining, EXT	103	131-0906	1	Ring-Retaining, EXT
40	104-5304	1	Swashplate-Trunnion	105	104-2120	3	Screw
41	104-5313	1	Seal-Lip	106	120-7979	1	Guard-Filter, LH
42	104-2116	1	Stud	111	109-3278	1	Adapter-Straight
43	112-9853	1	Puck-Friction	130	126-3251	2	Tube-Charge
55	104-5308	1	Spacer	156	115-5057	1	Cover-Nut, Axle
56	104-5310	1	Seal-Lip	157	130-8486	1	Seal-Gerotor
57	104-5309	1	Ring-Retaining	164	121-5745	1	Spacer
60	112-4154	1	Bearing-Thrust	200	109-3537	1	Seal Kit
64	114-1689	1	Motor Cylinder Block Kit	201	137-2012	1	LH Charge Center Section Kit
65	94-6922	1	Bearing-Thrust				
69	110-8561	1	Pump Block ASM	202	114-8464	1	Charge Relief Kit
70	104-5339	1	Washer-Flat	203	114-8465	1	Charge Kit
71	104-5340	1	Ring-Retaining	207	137-2006	1	Fan Pulley Kit
72	131-0905	1	Gear-14T	209	114-8467	1	Puller-Hub, 4 Bolt
73	114-1691	1	Shaft-Motor	210	117-5361	1	Input Shaft Kit
74	104-5360	1	Washer	211	117-5362	1	Control Arm Kit
80	119-5541	2	Washer	212	114-8470	1	Axle Shaft Kit
81	114-1692	1	Gear-45T	215	137-2013	1	Brake Shaft Kit

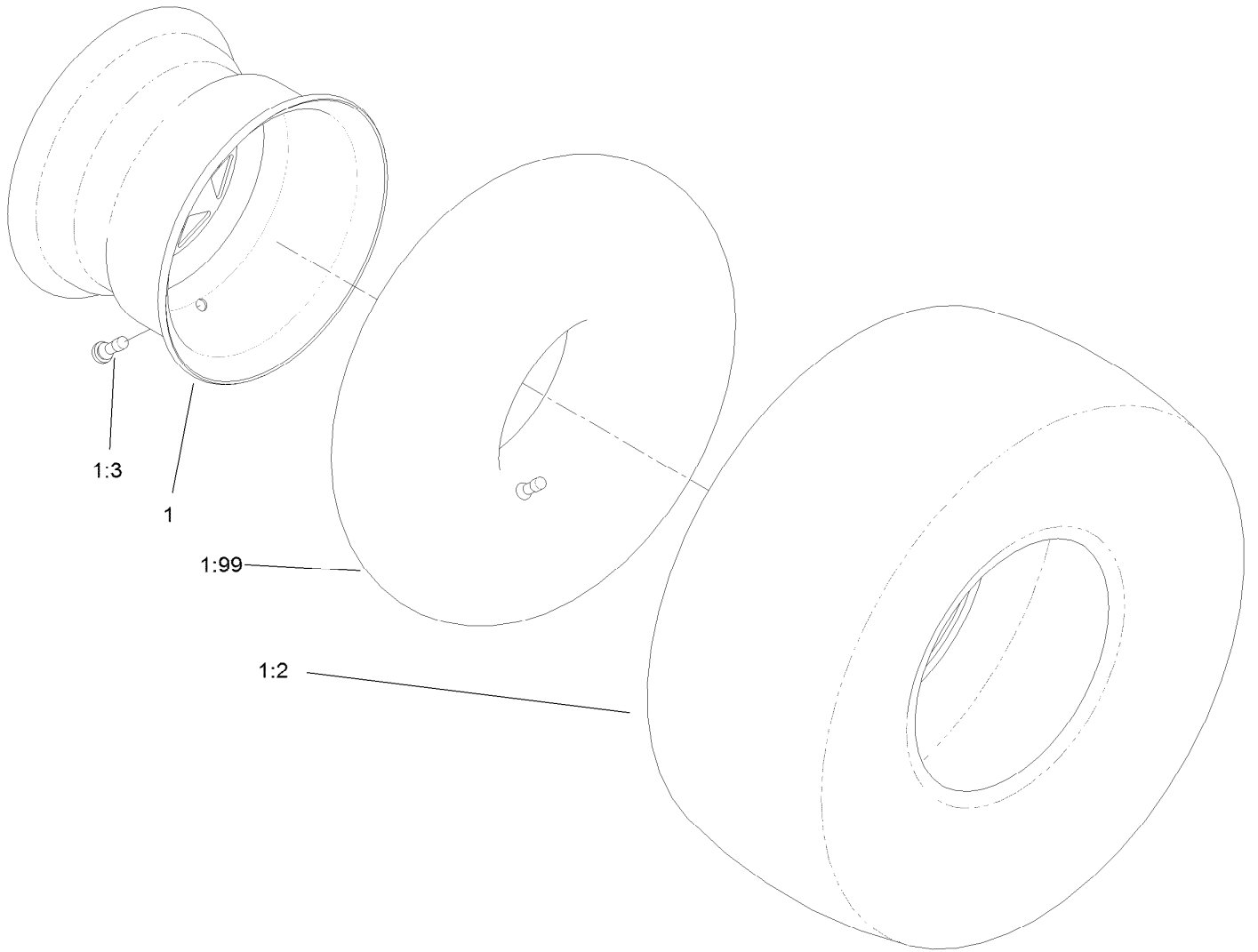
Parking Brake Assembly



Parking Brake Assembly (continued)

<i>Ref.</i>	<i>Part Number</i>	<i>Qty.</i>	<i>Description</i>	<i>Ref.</i>	<i>Part Number</i>	<i>Qty.</i>	<i>Description</i>
1	136-5554	1	Detent-Brake	12	3256-23	5	Washer-Plain
2	136-7476	1	Lever-Brake	13	3290-307	8	Pin-Cotter
3	136-5648	1	Bushing-Flange	14	133-9341-03	2	Plate-Support, Bellcrank
4	136-5647	1	Bushing-Brake, Flanged	15	136-7469	2	Bearing-Spherical
5	126-8220	1	Spring-Wave	16	3234-47	4	Screw-HHF
6	126-7439	1	Screw-Torx	17	133-9343	1	Rod-Brake, RH
7	104-8300	5	Nut-HF, NI	18	133-9344	1	Rod-Brake, LH
9	133-9338	1	Bellcrank-Brake	19	1-603807	2	Spring-Return, Neutral
10	133-9342	1	Rod-Brake, Intermediate	20	110769	2	Spring-Extension
11	115-9681	2	Fitting-Rod				

Rear Tire and Wheel Assembly

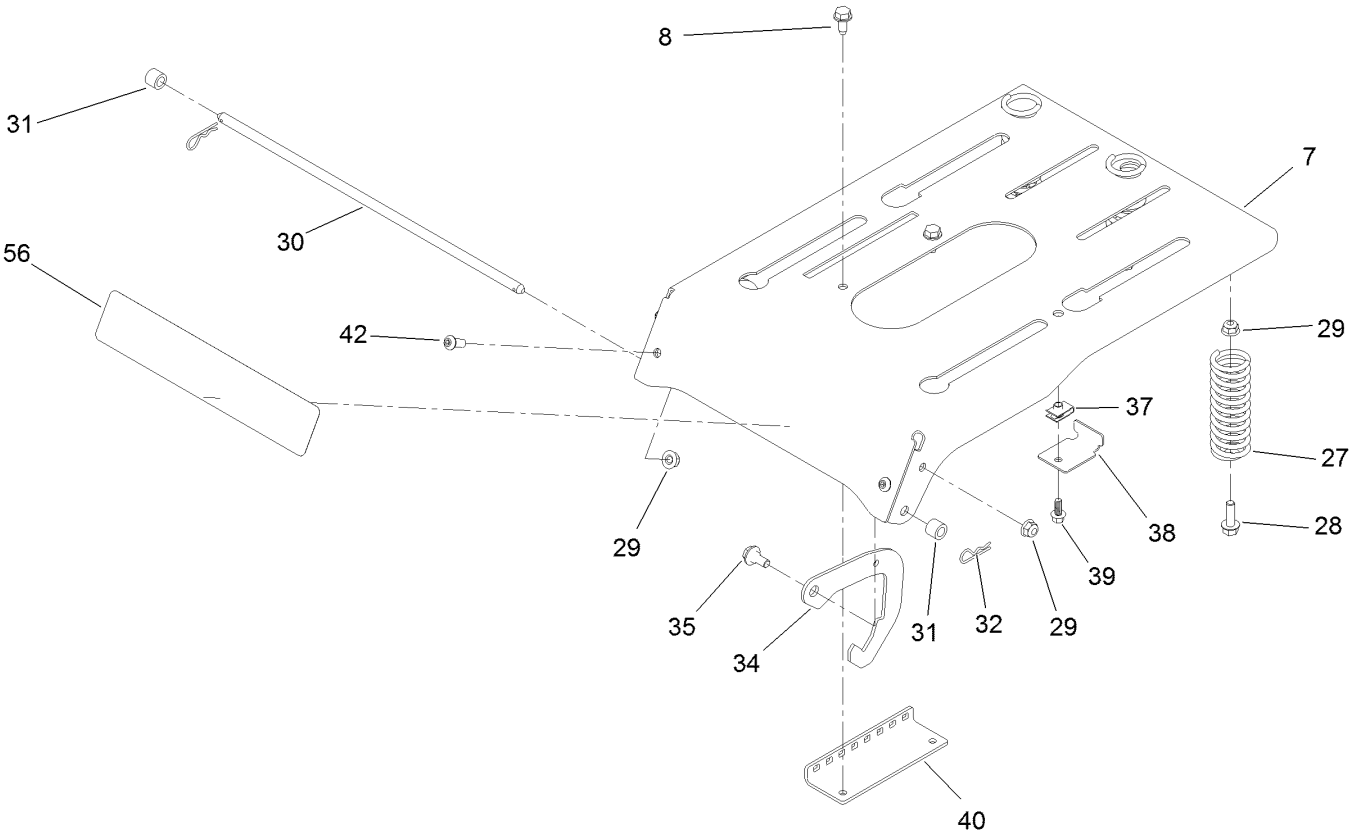
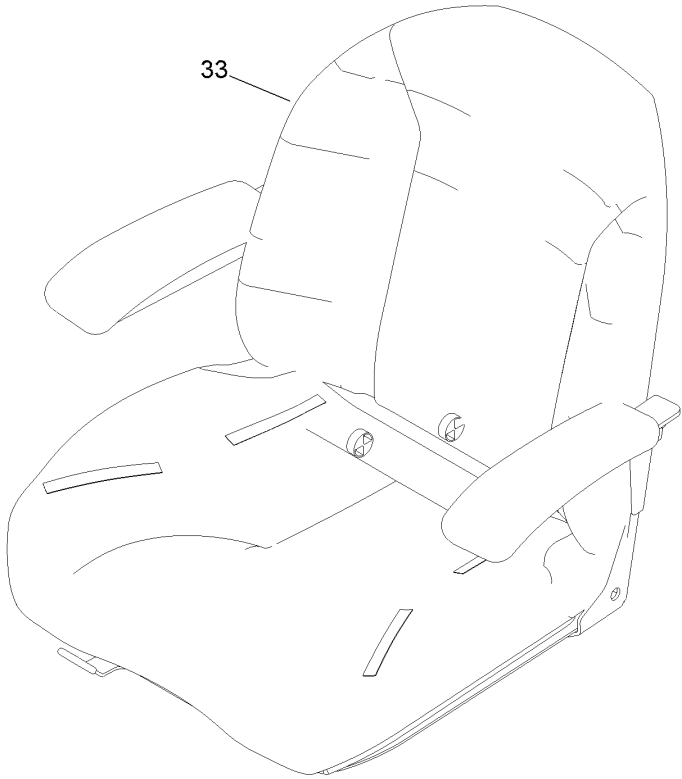


Rear Tire and Wheel Assembly (continued)

<i>Ref.</i>	<i>Part Number</i>	<i>Qty.</i>	<i>Description</i>	<i>Ref.</i>	<i>Part Number</i>	<i>Qty.</i>	<i>Description</i>
1	127-3449	2	Tire And Wheel ASM	1:3	232-27	1	Stem-Valve
1:2	125-1821	1	Tire	1:99	105-4070	1	Tube-Inner ●

● Optional Equipment

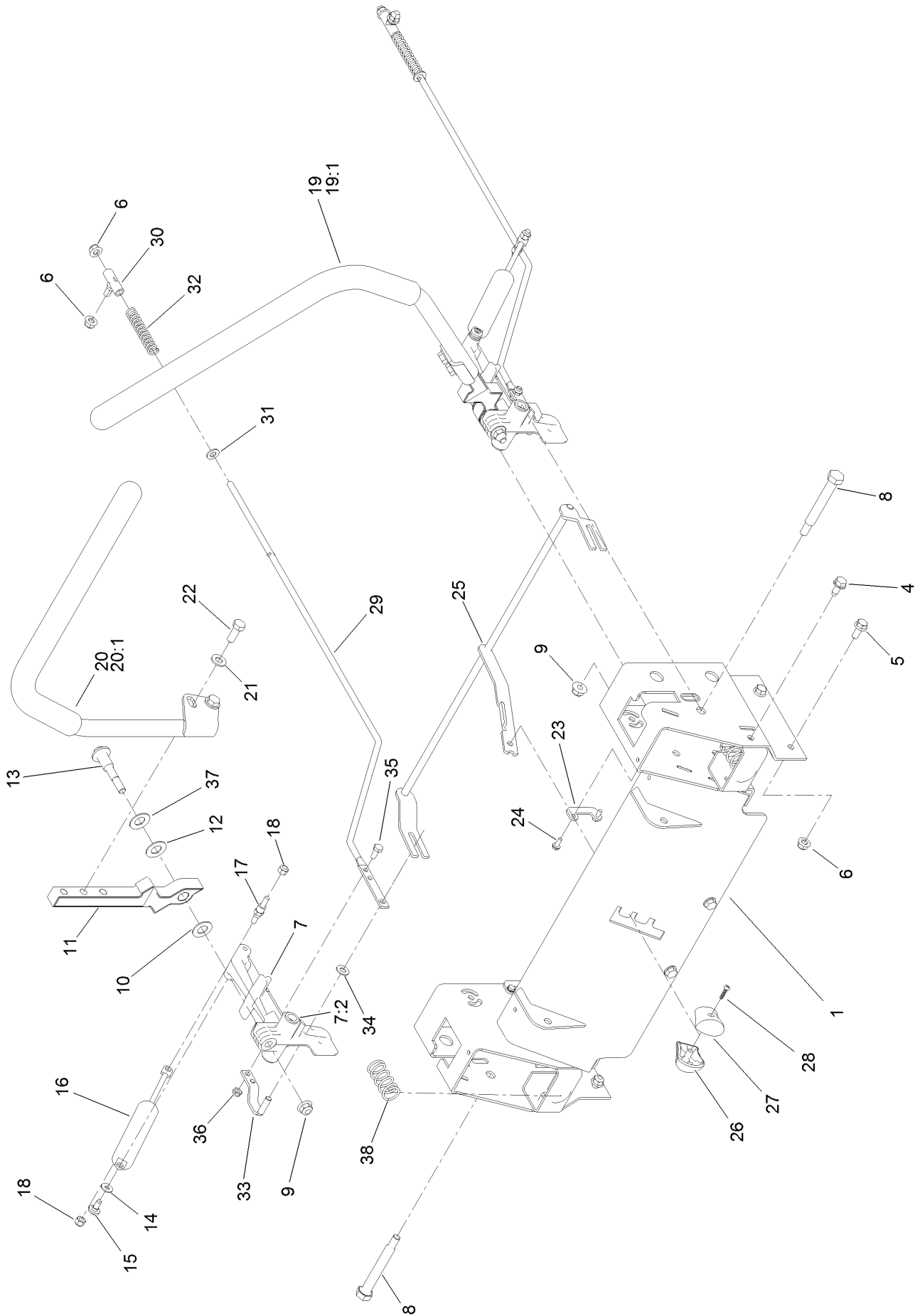
Seat Assembly



Seat Assembly (continued)

<i>Ref.</i>	<i>Part Number</i>	<i>Qty.</i>	<i>Description</i>	<i>Ref.</i>	<i>Part Number</i>	<i>Qty.</i>	<i>Description</i>
7	136-5571-03	1	Pan-Seat, Deluxe	34	132-9353	2	Latch-Seat
8	32144-70	2	Screw-HWHTF	35	19-1470	2	Screw-Shoulder
27	92-7054	3	Spring-Compression	37	107069	1	Clip
28	3234-29	3	Screw-HHF	38	131-1038	1	Bracket-Stop, Seat
29	104-8300	7	Nut-HF, NI	39	99-6810	1	Screw-HHF
30	115-4966	1	Rod-Stop	40	131-4008-03	1	Bracket-Latch, Seat
31	1-413088	2	Bushing-Lever, Lift	42	3274-55	2	Screw-HSBH
32	3290-250	2	Pin-Cotter	56	136-7471	1	Decal-Timecutter HD
33	136-5598	1	Seat ASM				

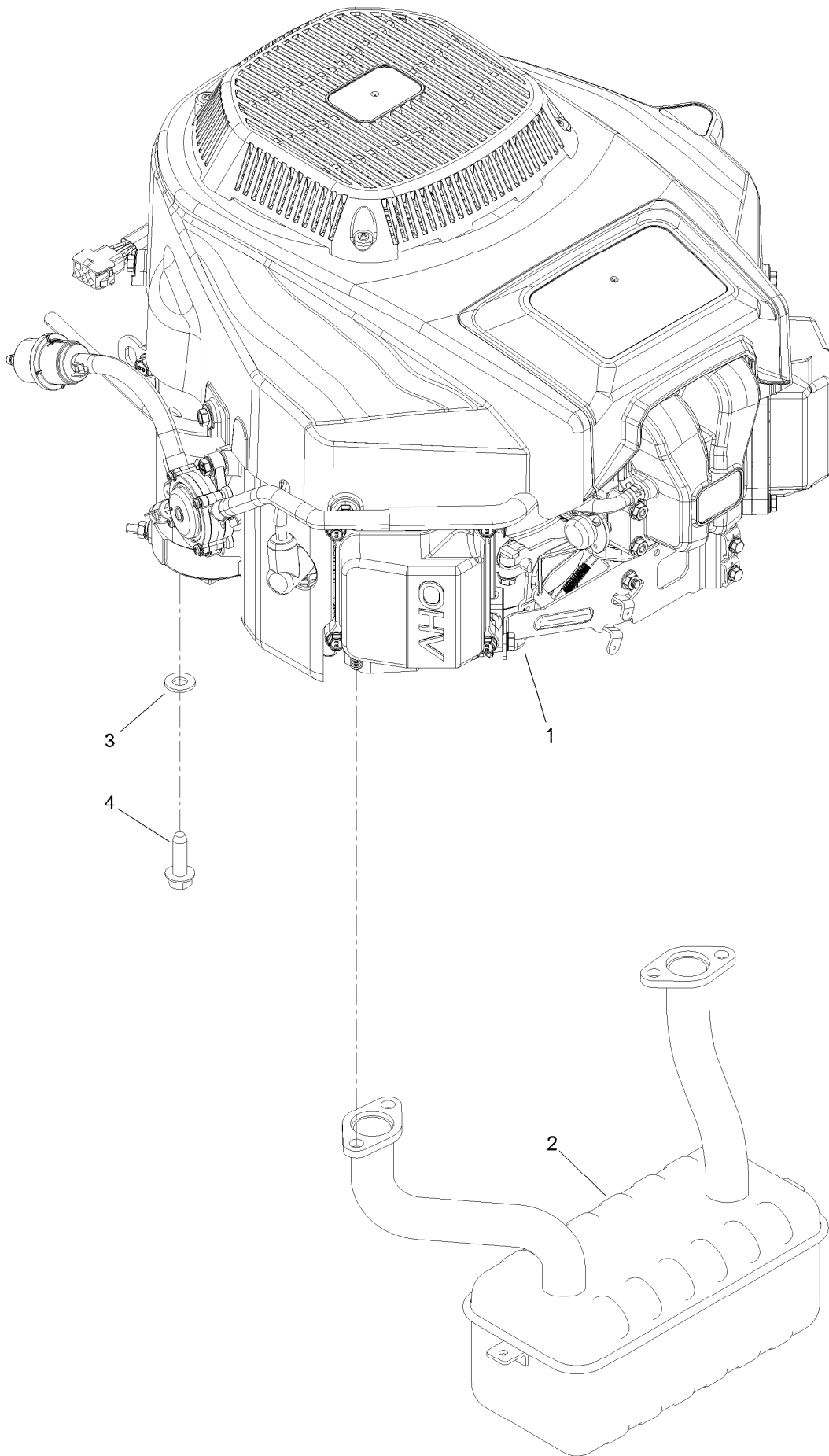
Motion Control Assembly



Motion Control Assembly (continued)

<i>Ref.</i>	<i>Part Number</i>	<i>Qty.</i>	<i>Description</i>	<i>Ref.</i>	<i>Part Number</i>	<i>Qty.</i>	<i>Description</i>
1	133-7065-03	1	Control Box ASM	20:1	121-0726	1	Grip
4	32144-70	4	Screw-HWHTF	21	3256-24	4	Washer-Flat
5	3234-47	6	Screw-HHF	22	323-6	4	Screw-HH
6	104-8300	10	Nut-HF, NI	23	117-5385	2	Retainer
7	119-3470	2	Actuator Arm ASM	24	32144-1	4	Screw-Taptite
7:2	256-156	2	Bushing-Flange	25	133-9301	1	Speed Control ASM
8	115-5099	2	Bolt-Pivot	26	132-9368	1	Knob-RH
9	104-8301	4	Nut-HF, NI	27	132-9369	1	Knob-LH
10	120-2273	2	Washer-Nylon	28	94-4496	1	Screw-PPH
11	136-5570-05	2	Arm-Control	29	117-5388	2	Rod-Hydro
12	117-1240	2	Washer	30	119-8842	2	Mount-Rod, Hydro
13	117-1198	2	Bolt-Pivot	31	3256-23	2	Washer-Plain
14	119-8952	2	Washer	32	1-603807	2	Spring-Return, Neutral
15	120-7950	2	Screw-Shoulder	33	121-1753	2	Pin-Rod, Hydro
16	131-0964	2	Damper	34	93-6079	2	Spacer-Nylon
17	110-6810	2	Stud-Damper	35	321-3	2	Screw-HH
18	3296-42	4	Nut-Lock, NI	36	3296-56	2	Nut-Lock, NI
19	133-7055	1	Handle-Control, LH	37	119-8925	2	Washer-Belleville
19:1	121-0726	1	Grip	38	119-8876	2	Spring-Return
20	133-7057	1	Handle-Control, RH				

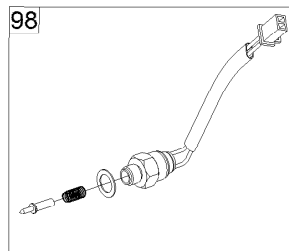
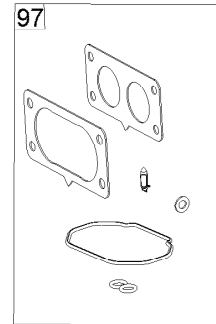
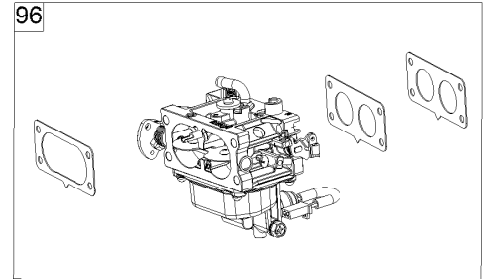
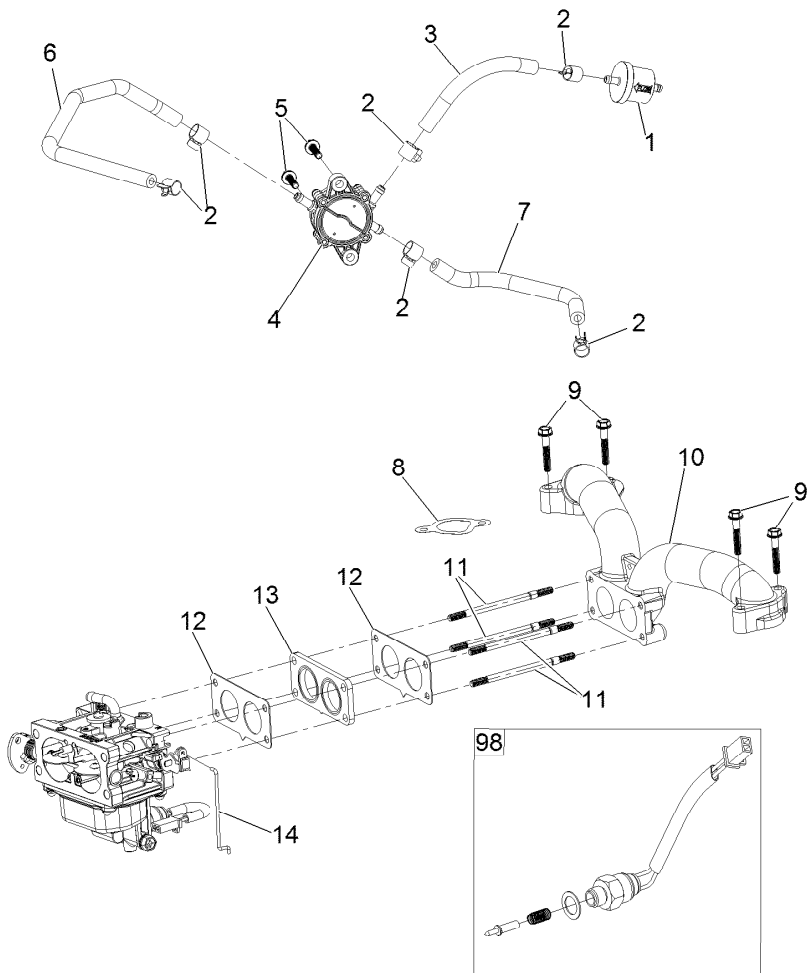
Engine and Muffler Assembly



Engine and Muffler Assembly (continued)

<i>Ref.</i>	<i>Part Number</i>	<i>Qty.</i>	<i>Description</i>	<i>Ref.</i>	<i>Part Number</i>	<i>Qty.</i>	<i>Description</i>
1	127-9451	1	Engine-2P77F	3	3256-24	4	Washer-Flat
2	130-6851	1	Muffler	4	32144-109	4	Screw-Taptite

Fuel System Assembly

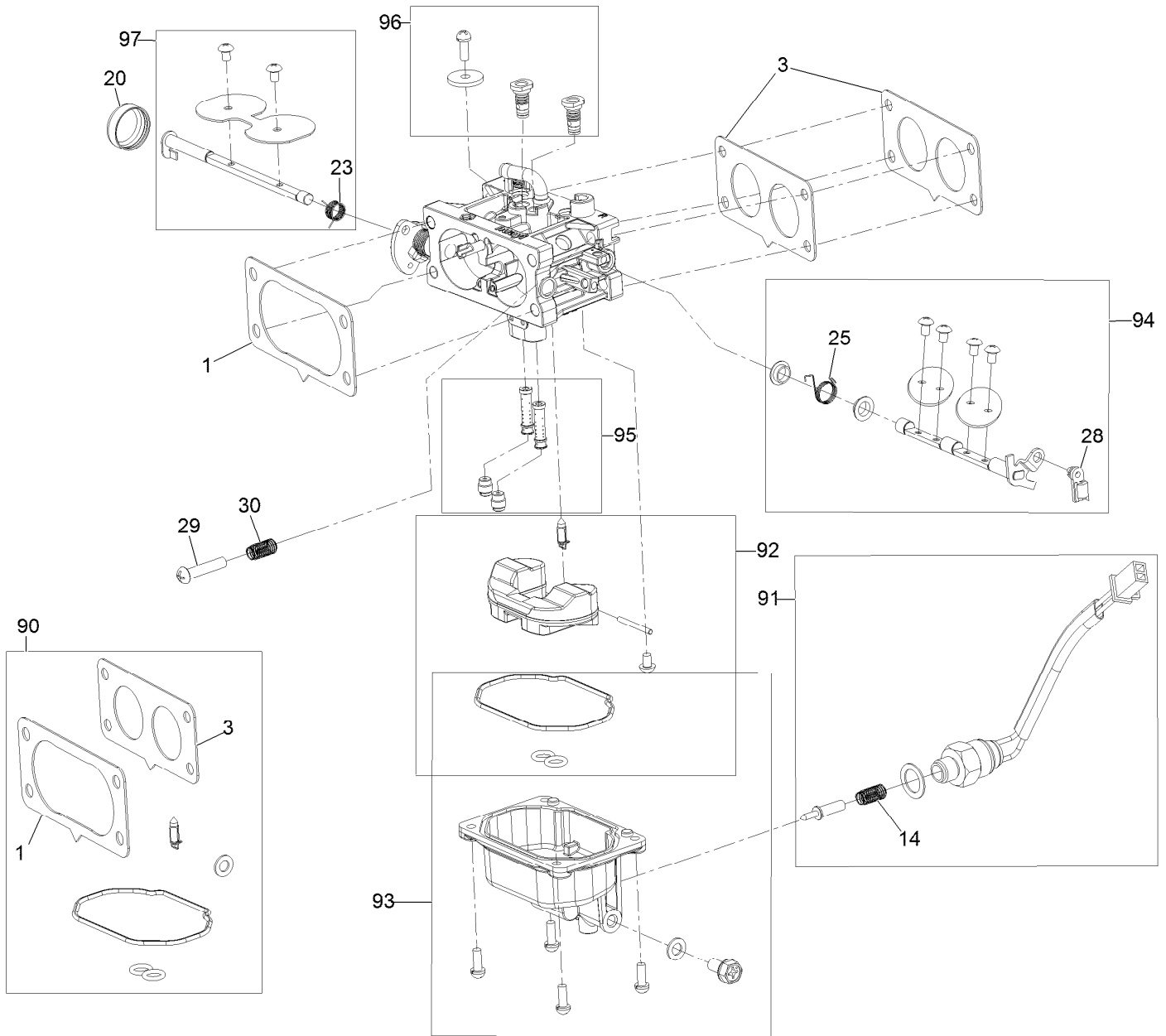


Fuel System Assembly (continued)

<i>Ref.</i>	<i>Part Number</i>	<i>Qty.</i>	<i>Description</i>	<i>Ref.</i>	<i>Part Number</i>	<i>Qty.</i>	<i>Description</i>
1	133-1563	1	Filter-Fuel	10	127-9244	1	Manifold-Intake
2	120-4251	6	Clamp-Fuel Line	11	127-9245	4	Stud
3	120-4371	1	Line-Fuel	12	127-9246	2	Gasket-Carburetor
4	127-9206	1	Pump-Fuel	13	127-9247	1	Insulator-Carburetor
5	120-4225	2	Screw-HHF	14	127-9248	1	Linkage-Throttle
6	127-9205	1	Hose-Fuel	96	133-9808	1	Carburetor Replacement Kit
7	127-9207	1	Hose-Fuel	97	127-9290	1	Carburetor Repair Kit
8	127-9230	2	Gasket-Intake	98	127-9292	1	Solenoid Kit
9	120-4284	4	Screw-HHF	99	133-9833	1	High Altitude Kit ●

● Not illustrated

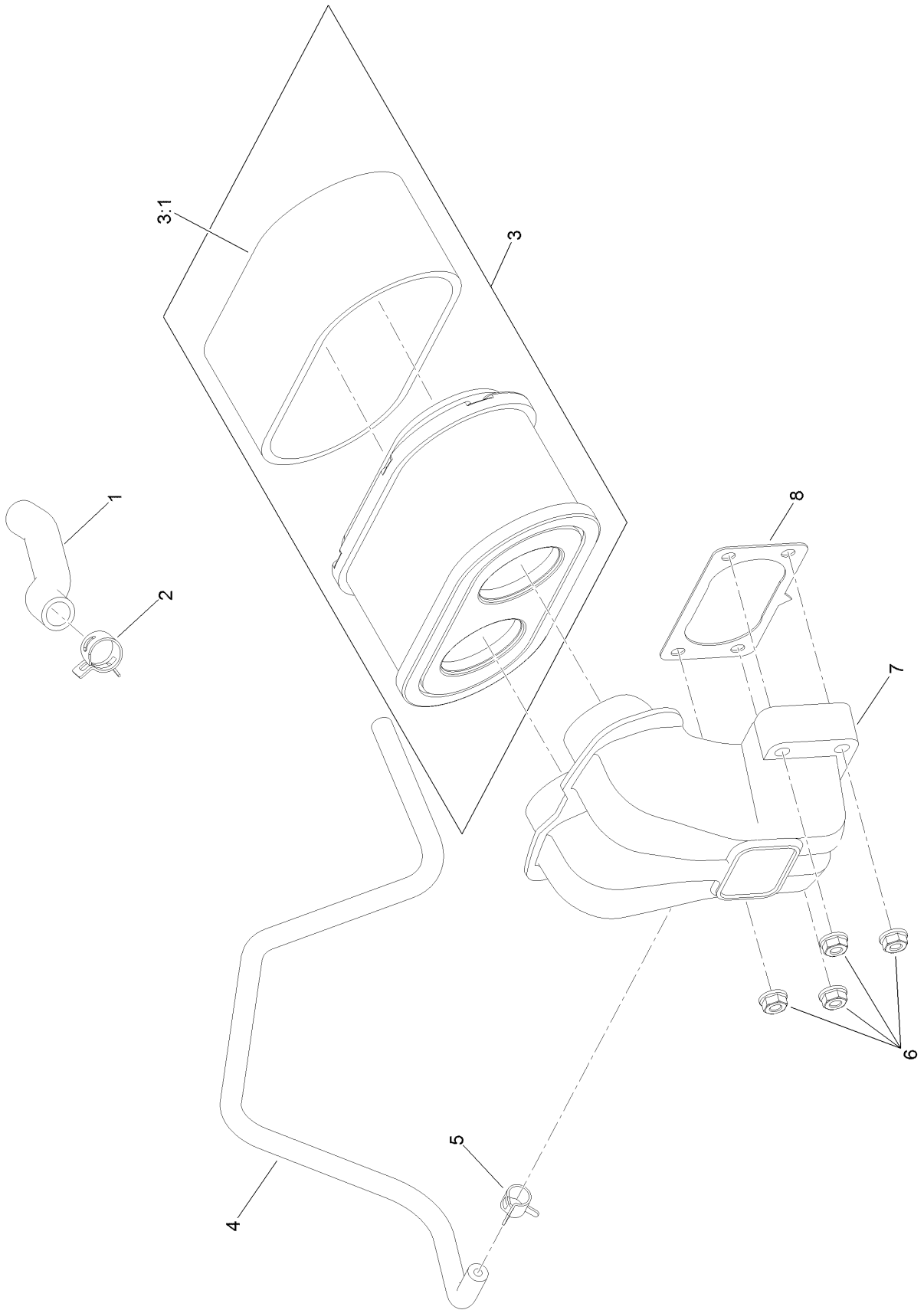
Carburetor Assembly



Carburetor Assembly (continued)

<i>Ref.</i>	<i>Part Number</i>	<i>Qty.</i>	<i>Description</i>	<i>Ref.</i>	<i>Part Number</i>	<i>Qty.</i>	<i>Description</i>
1	127-9251	1	Gasket-Carburetor	90	127-9290	1	Carburetor Repair Kit
3	127-9246	2	Gasket-Carburetor	91	127-9292	1	Solenoid Kit
14	127-9319	1	Spring	92	127-9340	1	Float Kit
20	127-9325	1	Cover-Shaft, Choke	93	127-9341	1	Bowl Kit
23	127-9328	1	Spring	94	133-9817	1	Throttle Shaft Kit
25	127-9330	1	Spring	95	133-9818	1	Nozzle And Jet Kit
28	127-9333	1	Clamp-Lock	96	133-9812	1	Air Jet Kit
29	127-9334	1	Screw-PPH	97	127-9345	1	Choke Shaft Kit
30	127-9335	1	Spring				

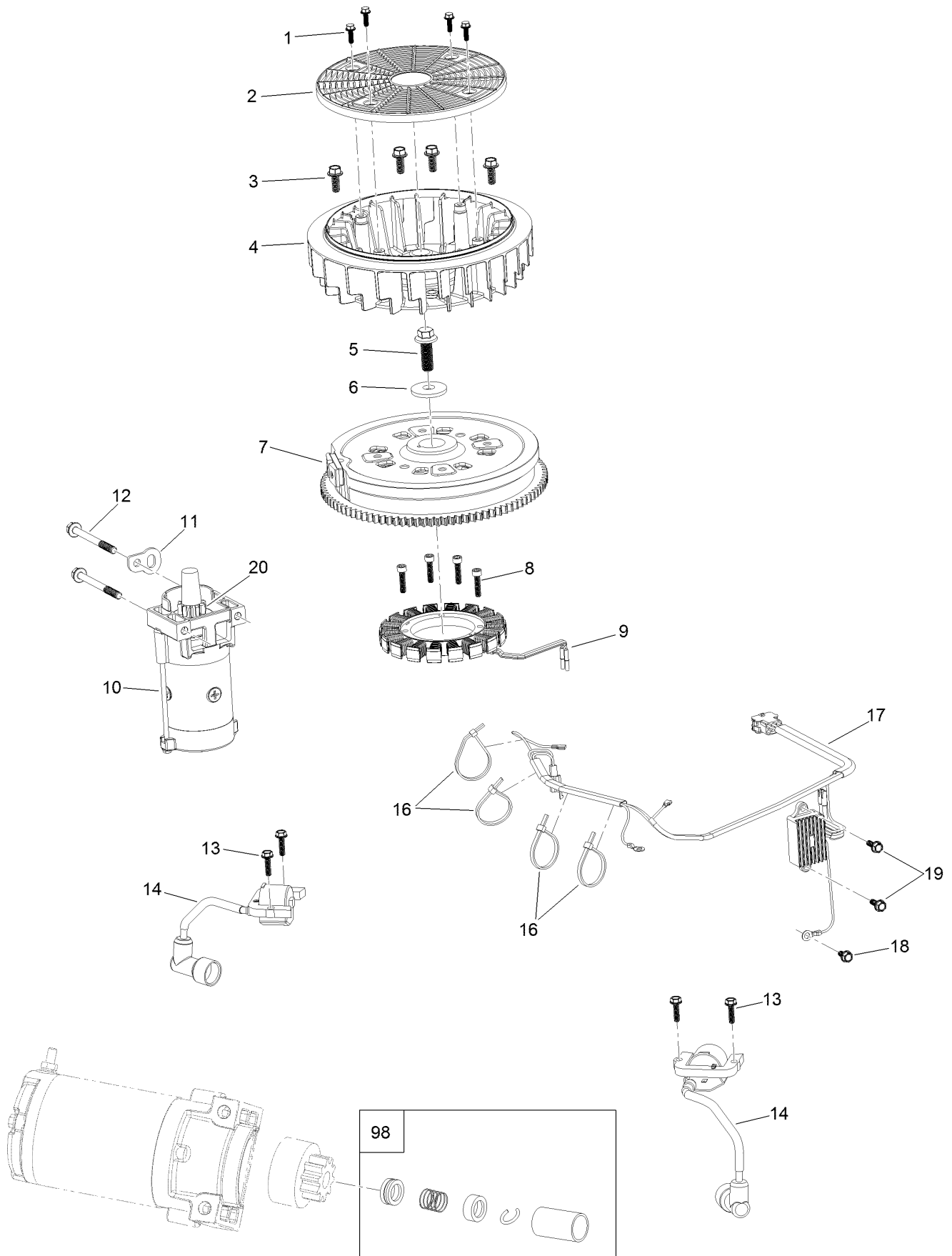
Air Intake and Filtration Assembly



Air Intake and Filtration Assembly (continued)

<i>Ref.</i>	<i>Part Number</i>	<i>Qty.</i>	<i>Description</i>	<i>Ref.</i>	<i>Part Number</i>	<i>Qty.</i>	<i>Description</i>
1	127-9235	1	Tube-Breather	5	127-9187	1	Clamp-Hose
2	127-9234	2	Clamp-Hose	6	120-4236	4	Nut-Flange
3	127-9252	1	Filter-Air, Complete	7	127-9047	1	Manifold-Filter, Air
3:1	127-9288	1	Filter-Pre, Foam	8	127-9251	1	Gasket-Carburetor
4	127-9253	1	Hose-Fuel				

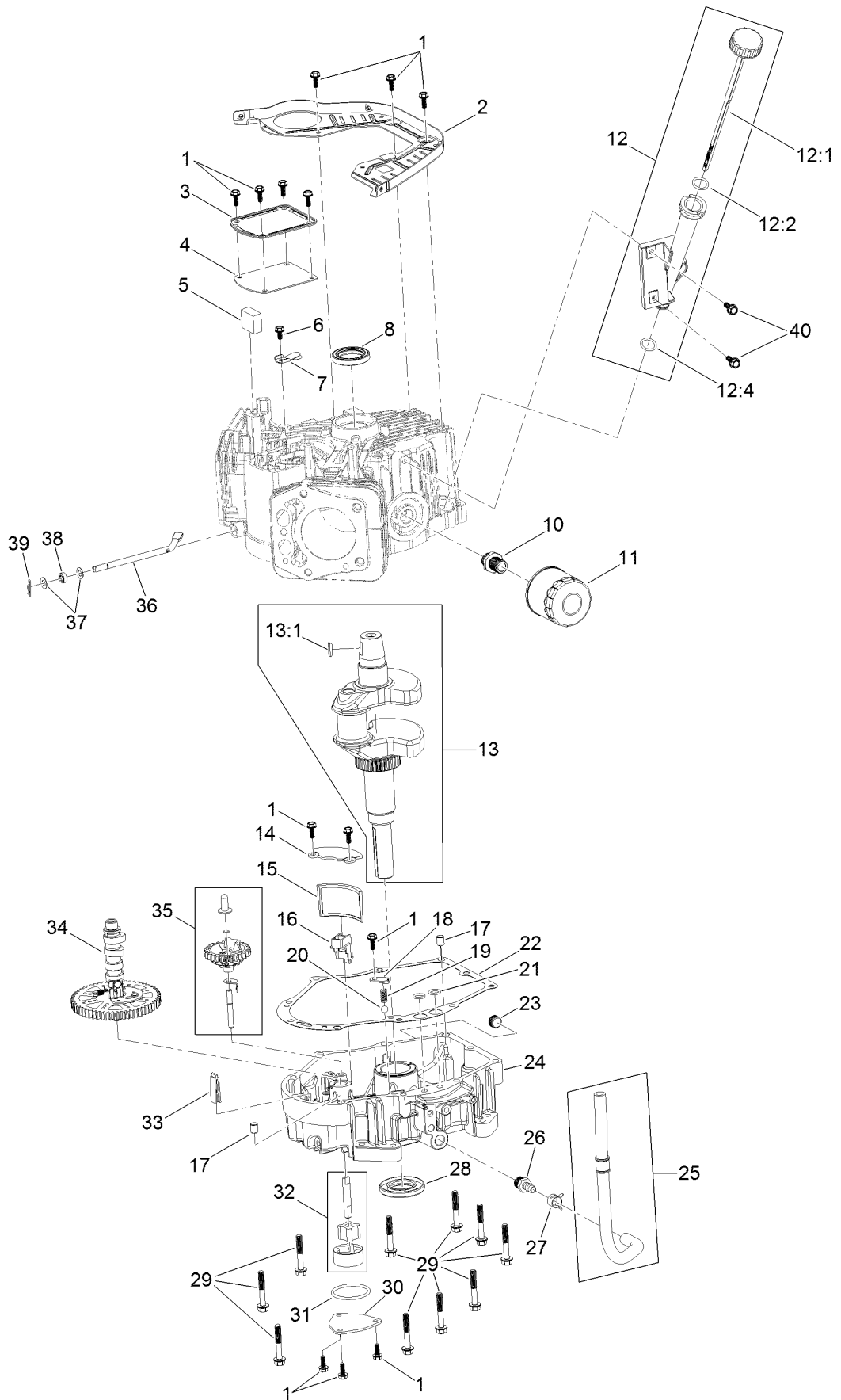
Ignition and Electrical Assembly



Ignition and Electrical Assembly (continued)

<i>Ref.</i>	<i>Part Number</i>	<i>Qty.</i>	<i>Description</i>	<i>Ref.</i>	<i>Part Number</i>	<i>Qty.</i>	<i>Description</i>
1	127-9197	4	Screw-HWH	12	120-4231	2	Screw-HHF
2	127-9198	1	Screen-Rotating	13	121-0007	4	Bolt-Flange
3	127-9199	4	Screw-HWH	14	127-9216	2	Ignition Coil ASM
4	127-9200	1	Fan-Cooling	16	127-9220	4	Tie-Zip
5	127-9201	1	Screw-HWH	17	127-9219	1	Regulator-Voltage W/Harness
6	127-9202	1	Washer-Flat	18	120-4216	1	Screw-HHF
7	127-9306	1	Flywheel	19	120-4232	2	Screw-HHF
8	127-9210	4	Screw-HSH	20	133-1562	1	Pinion-Starter
9	127-9211	1	Alternator	98	133-1566	1	Starter Repair Kit
10	133-9828	1	Motor-Starter				
11	127-9208	1	Bracket-Lift				

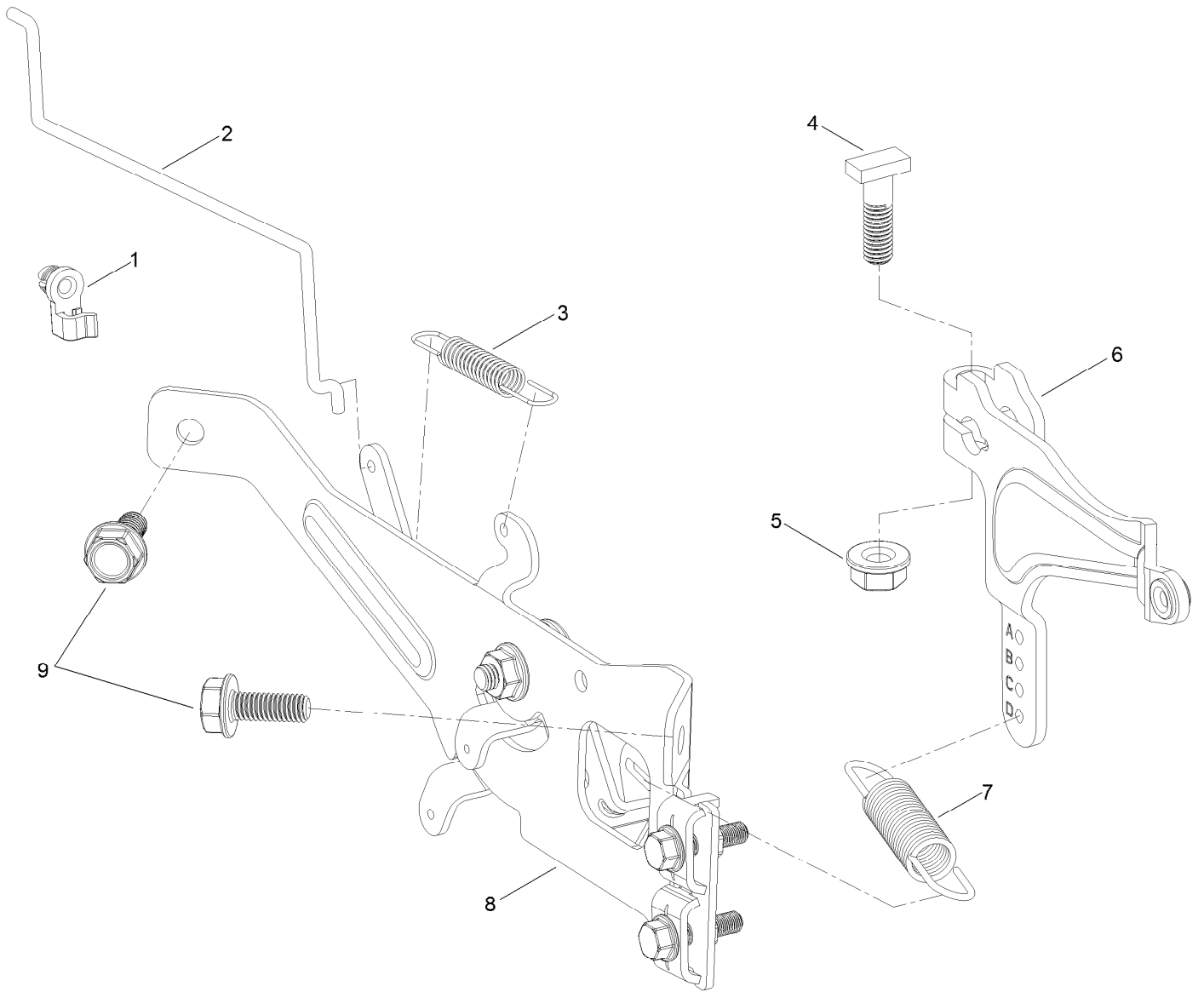
Crankcase and Crankshaft Assembly



Crankcase and Crankshaft Assembly (continued)

<i>Ref.</i>	<i>Part Number</i>	<i>Qty.</i>	<i>Description</i>	<i>Ref.</i>	<i>Part Number</i>	<i>Qty.</i>	<i>Description</i>
1	120-4232	14	Screw-HHF	20	127-9266	1	Valve-Ball
2	127-9212	1	Baffle	21	120-4262	2	O-Ring
3	127-9213	1	Cover-Breather	22	127-9267	1	Gasket-Cover, Crankcase
4	127-9214	1	Gasket-Breather	23	133-9805	1	Plug-Drain
5	127-9215	1	Filter-Breather	24	133-9806	1	Cover-Crankcase
6	120-4216	1	Screw-HHF	25	127-9293	1	Oil Drain Hose ASM
7	127-9217	1	Valve-Breather	26	127-9275	1	Fitting-Hose
8	120-4267	1	Seal-Oil	27	127-9276	1	Clamp-Hose
10	120-4346	1	Adaptor-Filter, Oil	28	127-9271	1	Seal
11	120-4276	1	Filter-Oil	29	121-0473	10	Screw-HHF
12	127-9218	1	Oil Tube ASM	30	127-9274	1	Cover-Oil Pump
12:1	127-9283	1	Dipstick	31	127-9273	1	O-Ring
12:2	127-9284	1	O-Ring	32	127-9272	1	Oil Pump ASM
12:4	127-9286	1	O-Ring	33	120-4275	1	Deflector-Oil, Rubber
13	127-9255	1	Crankshaft	34	133-1568	1	Camshaft
13:1	120-4320	1	Key-Woodruff	35	133-9807	1	Governor ASM
14	127-9261	1	Cover-Screen, Oil	36	127-9238	1	Rod-Governor
15	127-9262	1	Screen-Oil	37	120-4258	2	Washer-Plain
16	127-9263	1	Retainer-Screen	38	120-4257	1	Seal-Oil
17	120-4274	2	Pin-Dowel	39	120-4256	1	Pin-Hair
18	127-9264	1	Plate-Retainer	40	120-4232	2	Screw-HHF
19	127-9265	1	Spring				

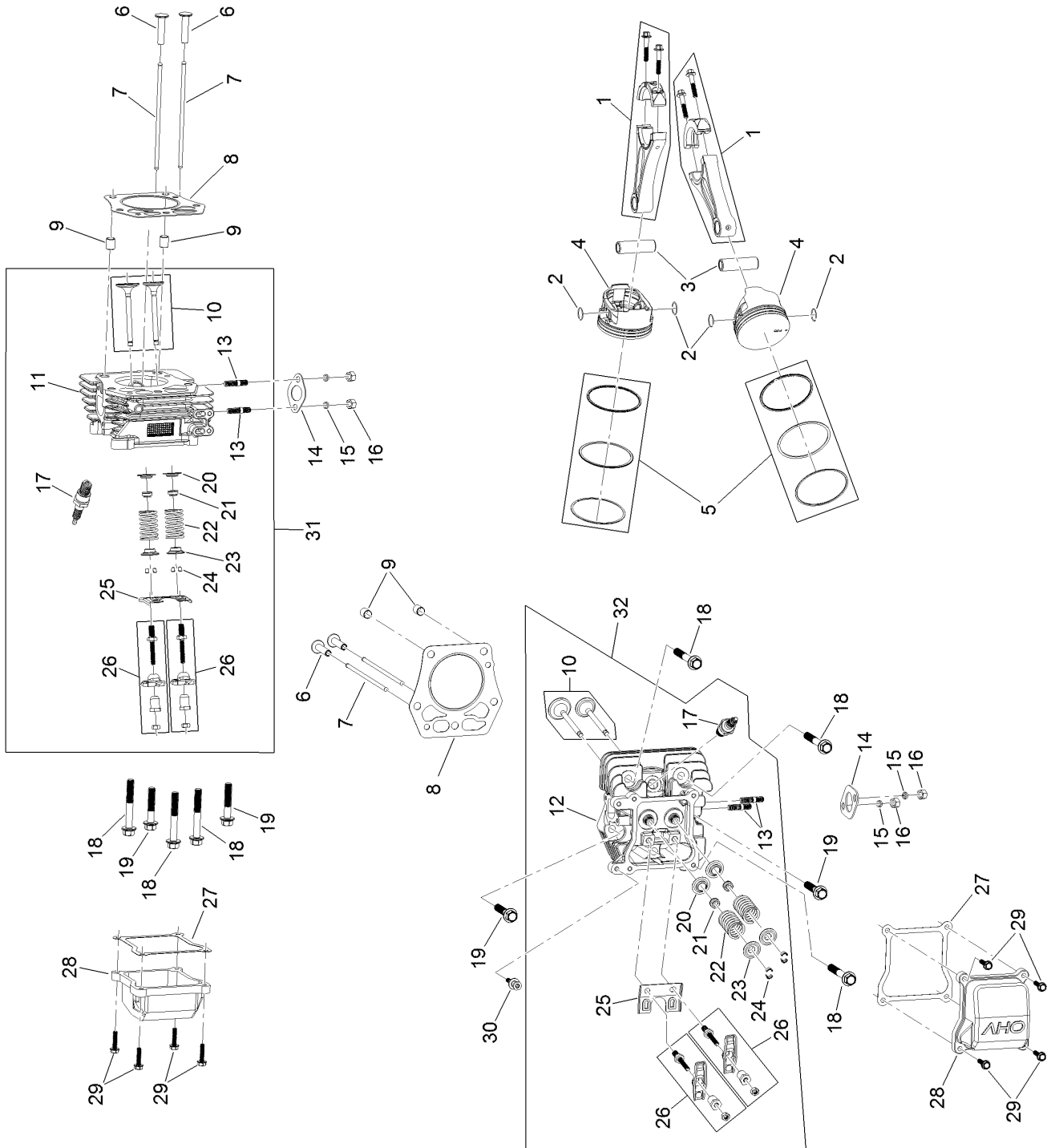
Governor Control Assembly



Governor Control Assembly (continued)

<i>Ref.</i>	<i>Part Number</i>	<i>Qty.</i>	<i>Description</i>	<i>Ref.</i>	<i>Part Number</i>	<i>Qty.</i>	<i>Description</i>
1	127-9250	1	Clip-Linkage	6	127-9239	1	Arm-Governor
2	127-9242	1	Linkage-Choke	7	133-9809	1	Spring-Governor
3	127-9241	1	Spring-Governor	8	133-1570	1	Control Plate ASM
4	120-4238	1	Bolt-Arm, Governor	9	120-4232	2	Screw-HHF
5	120-4236	1	Nut-Flange				

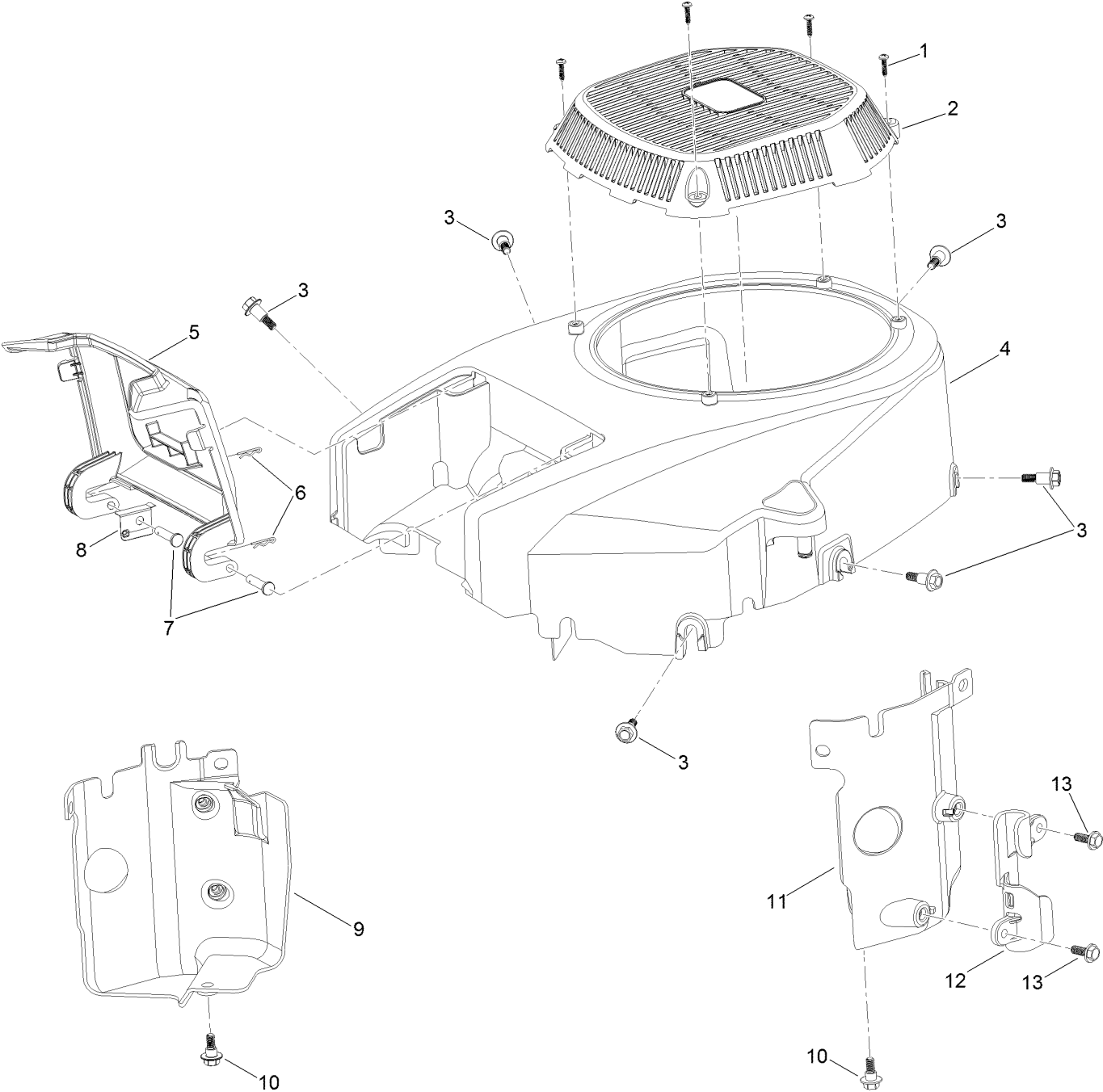
Piston and Cylinder Head Assembly



Piston and Cylinder Head Assembly (continued)

<i>Ref.</i>	<i>Part Number</i>	<i>Qty.</i>	<i>Description</i>	<i>Ref.</i>	<i>Part Number</i>	<i>Qty.</i>	<i>Description</i>
1	127-9256	2	Connecting Rod ASM	17	81-3250	2	Spark Plug
2	127-9258	4	Clip-Pin, Piston	18	127-9231	6	Screw-HWH
3	127-9257	2	Pin-Piston	19	127-9232	4	Screw-HWH
4	127-9259	2	Piston	20	120-4303	4	Seat-Spring, Valve
5	127-9260	2	Piston Ring Set	21	120-4304	4	Seal-Stem, Valve
6	127-9224	4	Lifter-Valve	22	120-4305	4	Spring-Valve
7	127-9225	4	Rod-Push	23	120-4306	4	Retainer-Spring, Valve
8	127-9226	2	Gasket-Head, Cylinder	24	120-4307	8	Keeper-Valve
9	127-9227	4	Pin-Dowel	25	127-9233	2	Plate-Guide, Push Rod
10	127-9228	2	Valve Set	26	127-9294	4	Rocker Arm ASM
11	133-9802	1	Head-Cylinder, Right	27	127-9295	2	Gasket-Valve Cover
12	133-9804	1	Head-Cylinder, Left	28	127-9050	2	Cover-Valve
13	121-0464	4	Stud-Exhaust	29	120-4225	8	Screw-HHF
14	120-4317	2	Gasket-Exhaust	30	120-4214	1	Screw-Shoulder, HH
15	127-9279	4	Washer-Lock, Split	31	133-9819	1	Right Head ASM
16	121-0199	4	Nut-HH	32	133-9820	1	Left Head ASM

Blower Housing Assembly

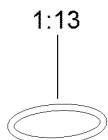
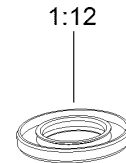
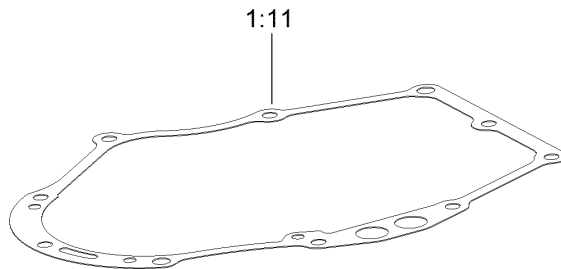
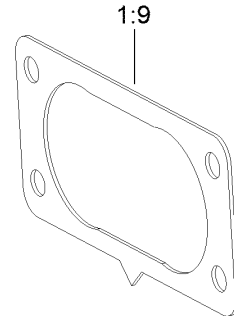
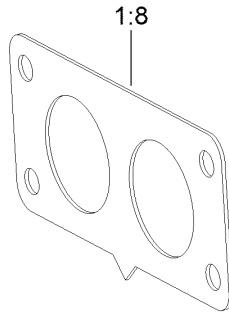
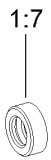
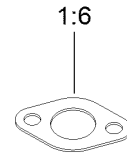
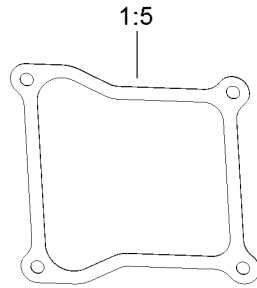
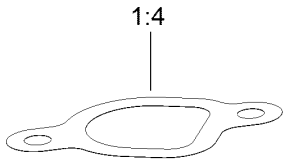
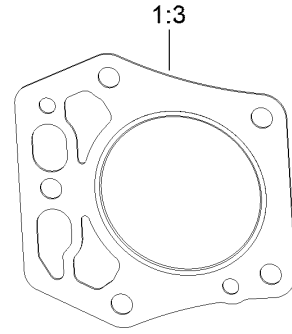
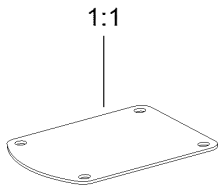


Blower Housing Assembly (continued)

<i>Ref.</i>	<i>Part Number</i>	<i>Qty.</i>	<i>Description</i>	<i>Ref.</i>	<i>Part Number</i>	<i>Qty.</i>	<i>Description</i>
1	133-1571	4	Screw-PPH, Plastic	8	127-9281	1	Plate-Spring
2	127-9045	1	Cover-Fan	9	127-9049	1	Baffle-Air, Left
3	127-9196	6	Screw-Shoulder, HWH	10	120-4210	2	Screw-Shoulder, HHF
4	133-1572	1	Shroud-Engine	11	127-9048	1	Baffle-Air, Right
5	127-9046	1	Door-Filter, Air	12	127-9287	1	Cleat-Hose
6	127-9280	2	Pin-Hair	13	120-4232	2	Screw-HHF
7	127-9282	2	Pin				

Gasket and Seal Kit

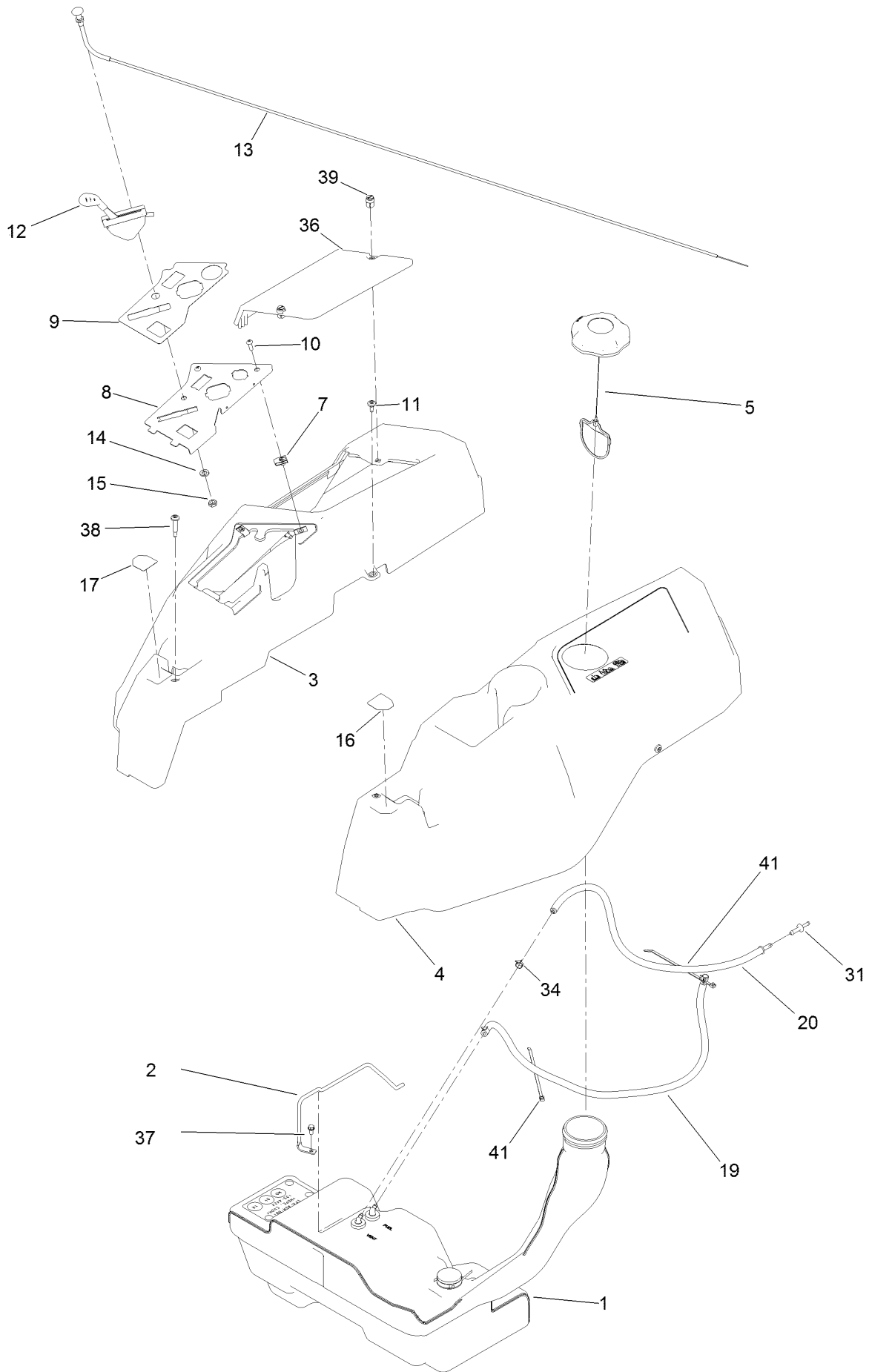
1



Gasket and Seal Kit (continued)

<i>Ref.</i>	<i>Part Number</i>	<i>Qty.</i>	<i>Description</i>	<i>Ref.</i>	<i>Part Number</i>	<i>Qty.</i>	<i>Description</i>
1	127-9296	1	Gasket And Seal Kit	1:8	127-9246	2	Gasket-Carburetor
1:1	127-9214	1	Gasket-Breather	1:9	127-9251	1	Gasket-Carburetor
1:2	120-4267	1	Seal-Oil	1:10	120-4262	2	O-Ring
1:3	127-9226	2	Gasket-Head, Cylinder	1:11	127-9267	1	Gasket-Cover, Crankcase
1:4	127-9230	2	Gasket-Intake	1:12	127-9271	1	Seal
1:5	127-9295	2	Gasket-Valve Cover	1:13	127-9273	1	O-Ring
1:6	120-4317	2	Gasket-Exhaust	1:14	127-9284	1	O-Ring
1:7	120-4257	1	Seal-Oil	1:15	127-9286	1	O-Ring

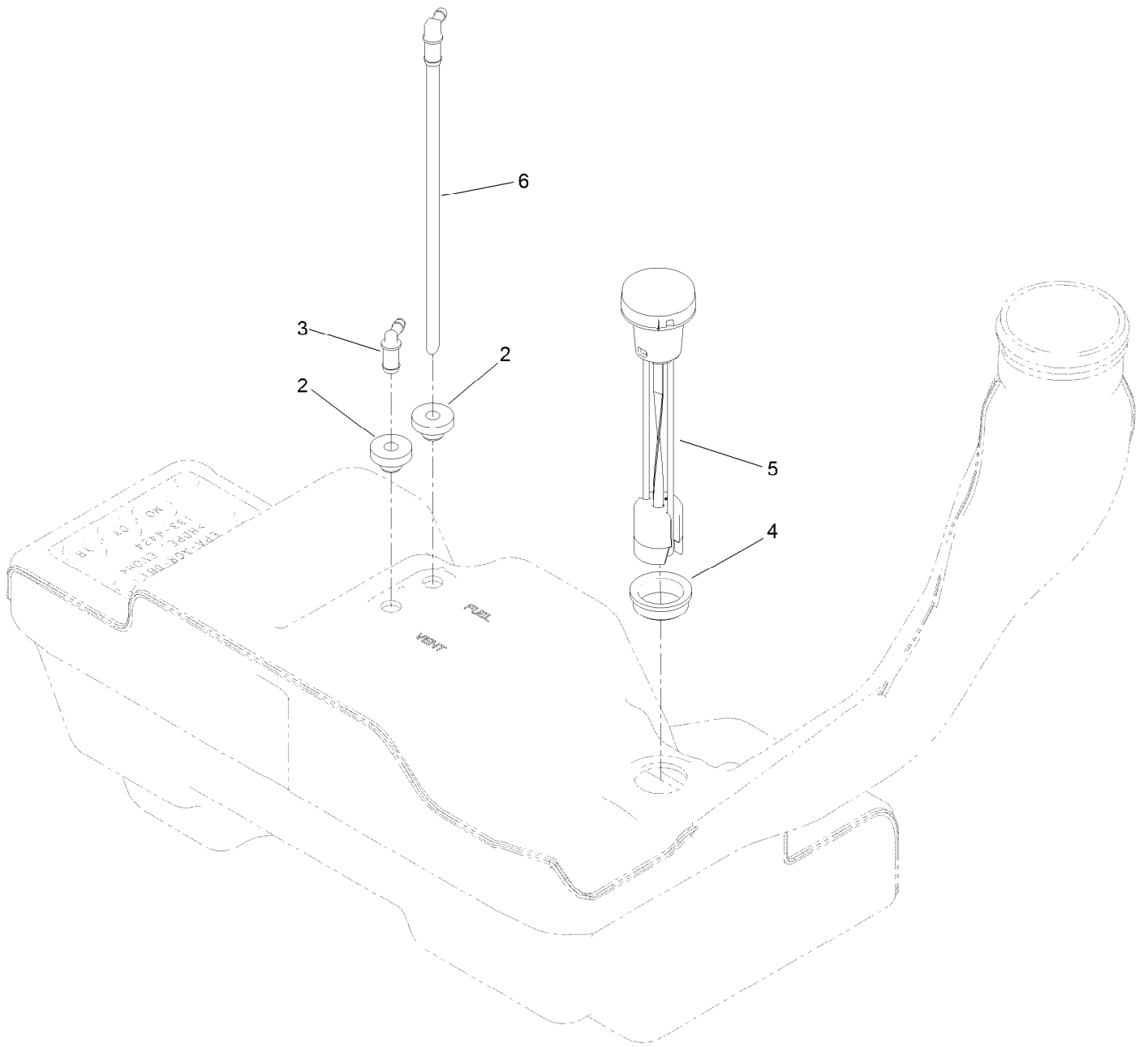
Body Styling and Fuel Tank Assembly



Body Styling and Fuel Tank Assembly (continued)

<i>Ref.</i>	<i>Part Number</i>	<i>Qty.</i>	<i>Description</i>	<i>Ref.</i>	<i>Part Number</i>	<i>Qty.</i>	<i>Description</i>
1	133-4484	1	Fuel Tank ASM	15	3220-3	1	Nut-HJ
2	136-4180	1	Rod-Hold Down	16	136-4243	1	Decal-Lever, Control (LH)
3	133-9307	1	Pod-RH	17	136-4244	1	Decal-Lever, Control (RH)
4	133-9315	1	Pod-LH	19	109-3491	1	Hose-Fuel
5	120-5461	1	Cap-Fuel, Ratcheting	20	110-4103	1	Hose-Fuel
7	107069	2	Clip	31	117-5399	1	Adaptor-Orifice
8	133-9346-03	1	Panel-Control	34	2412-98	3	Clamp-Hose
9	133-9263	1	Decal-Control W/Choke	36	133-9308	1	Cover-Battery
10	3258-166	2	Screw-PRH	37	32144-4	1	Screw-HWH
11	120-7950	4	Screw-Shoulder	38	136-4195	2	Screw-Shoulder
12	136-5622	1	Cable-Throttle	39	121-5840	2	Fastener
13	112-9753	1	Cable-Choke	41	614249	2	Tie-Cable
14	3253-21	1	Washer-Lock				

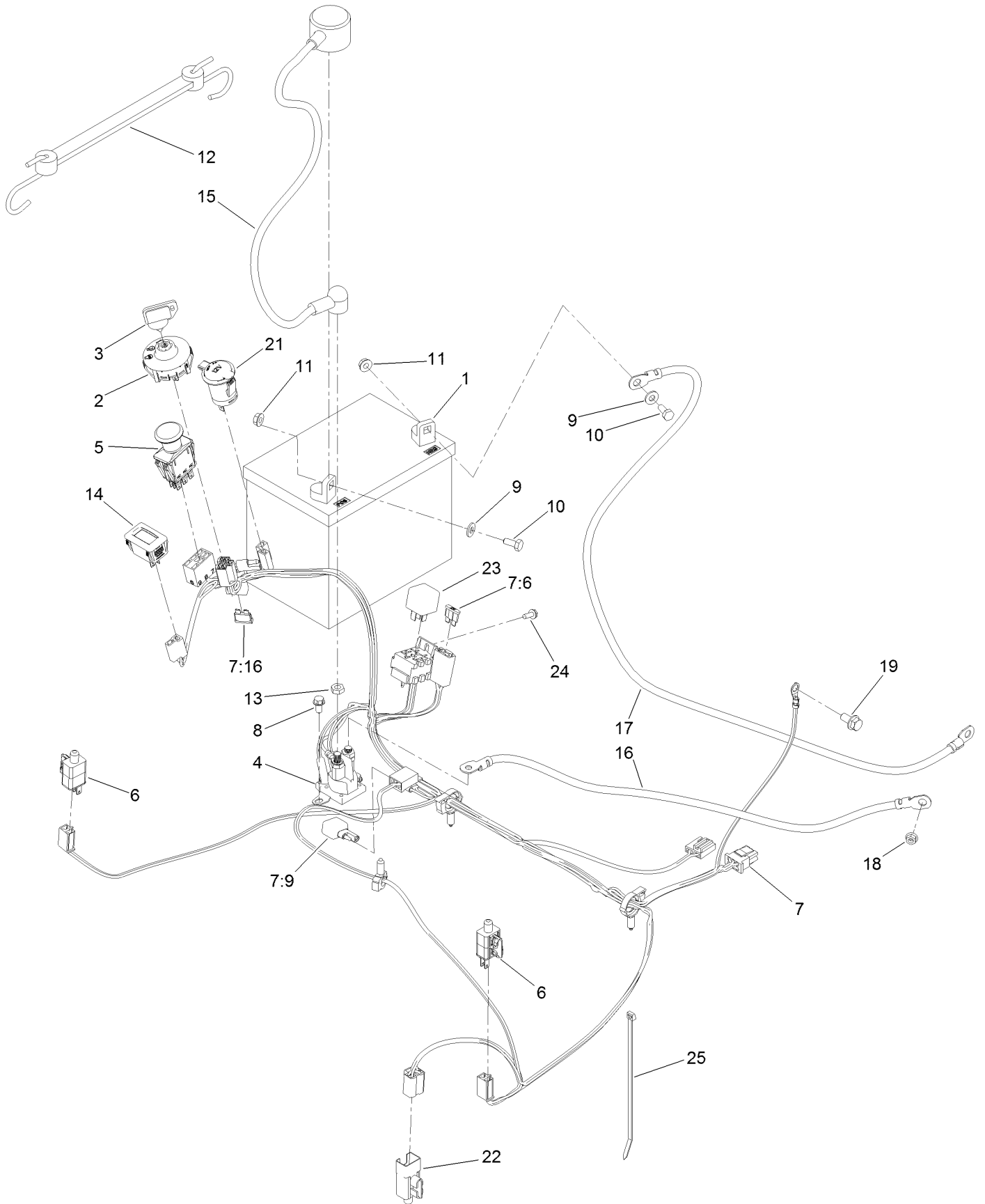
Fuel Tank Assembly No. 133-4484



Fuel Tank Assembly No. 133-4484 (continued)

<i>Ref.</i>	<i>Part Number</i>	<i>Qty.</i>	<i>Description</i>	<i>Ref.</i>	<i>Part Number</i>	<i>Qty.</i>	<i>Description</i>
2	46-6560	2	Bushing	5	133-9270	1	Gauge-Fuel
3	117-7400	1	Fitting-Plastic	6	121-0793	1	Connector-Elbow, 90 DEG
4	133-9269	1	Grommet-Fuel				

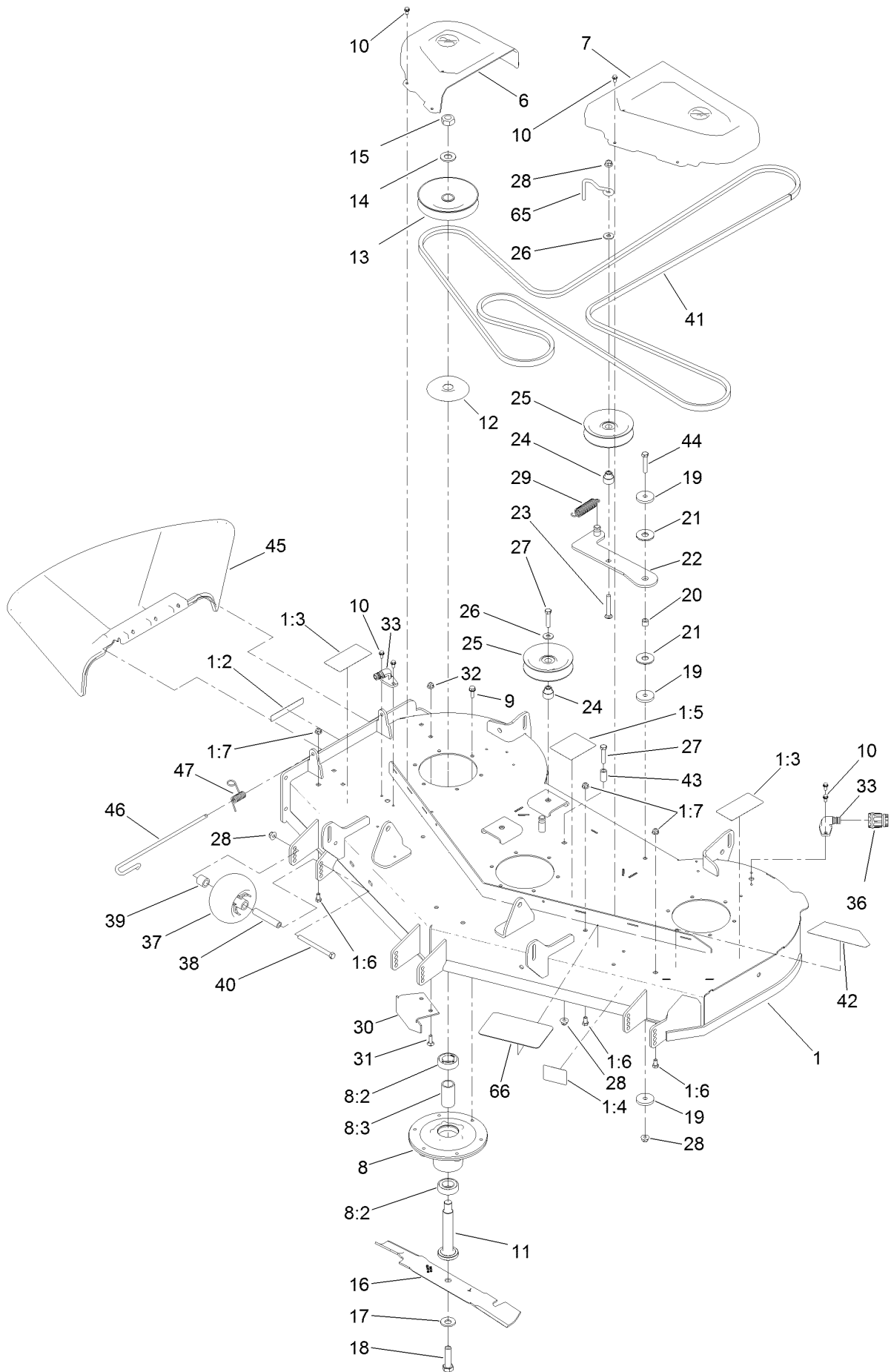
Electrical Assembly



Electrical Assembly (continued)

<i>Ref.</i>	<i>Part Number</i>	<i>Qty.</i>	<i>Description</i>	<i>Ref.</i>	<i>Part Number</i>	<i>Qty.</i>	<i>Description</i>
1	105-1692	1	Battery	12	104-2466	1	Holddown-Battery
2	117-2221	1	Switch-Ignition	13	3220-2	2	Nut-Jam
3	63-8360	1	Key-Ignition	14	120-2244	1	Hourmeter
4	117-1197	1	Solenoid	15	115-3864	1	Cable-Battery, Positive
5	103-5221	1	Switch-PTO	16	136-7473	1	Cable-Battery, Positive
6	110-6765	2	Switch	17	117-7240	1	Cable-Battery, Negative
7	136-4191	1	Harness-Wiring	18	33003-00	1	Nut-HF
7:6	109102	1	Fuse-Blade, 25 Amp	19	3234-14	1	Screw-HHF
7:9	100-4918	1	Diode	21	126-6499	1	Port-Power, 12V
7:16	109355	1	Fuse-Blade, 15 Amp	22	99-7408	1	Switch-Reverse
8	32144-4	2	Screw-HWH	23	98-7249	1	Relay
9	3256-22	2	Washer-Flat	24	32144-1	1	Screw-Taptite
10	321-3	2	Screw-HH	25	614249	1	Tie-Cable
11	32128-33	2	Nut-HF				

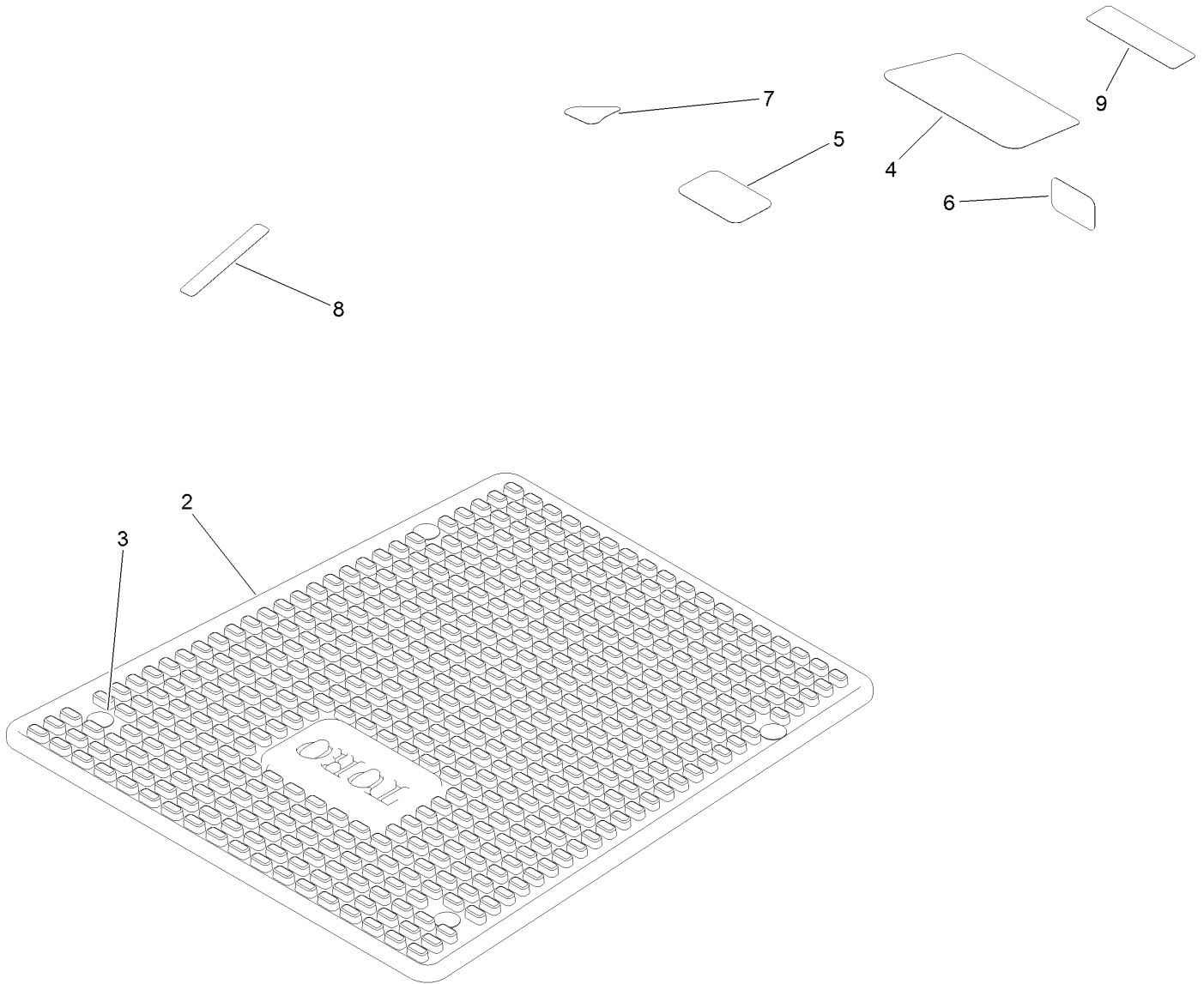
Deck Assembly



Deck Assembly (continued)

<i>Ref.</i>	<i>Part Number</i>	<i>Qty.</i>	<i>Description</i>	<i>Ref.</i>	<i>Part Number</i>	<i>Qty.</i>	<i>Description</i>
1	133-7068	1	Deck ASM	23	3231-31	1	Screw-CARR
1:2	130-0731	1	Decal-Danger	24	115-2577	3	Bushing-Idler
1:3	132-0872	2	Decal-Danger, Deck	25	132-4718	3	Pulley-Idler, Flat
1:4	130-0765	1	Decal-Scalp, Anti	26	80-6990	3	Washer-Hardened
1:5	117-1194	1	Decal-Routing, Belt	27	323-9	3	Screw-HH
1:6	322-2	5	Screw-HH	28	104-8301	6	Nut-HF, NI
1:7	104-8300	5	Nut-HF, NI	29	108-4056	1	Spring-Extension
6	133-9283	1	Cover-Belt, RH	30	115-9653-03	1	Baffle-Cutoff
7	133-9282	1	Cover-Belt, LH	31	3230-22	2	Screw-CARR
8	120-5477	3	Spindle ASM	32	104-8300	7	Nut-HF, NI
8:2	116-0720	2	Bearing-Ball	33	133-9289	2	Fitting-Washout
8:3	115-2641	1	Spacer-Bearing	36	95-3270	1	Connector-Hose
9	32144-41	18	Screw-Taptite	37	1-603299	3	Roller-Scalp, Anti
10	32144-4	12	Screw-HWH	38	98-7912	3	Tube-Spanner
11	115-2642	3	Shaft-Spindle	39	104-0892	3	Spacer-Axle, Rear
12	117-7210	3	Shield-Bearing	40	323-23	3	Screw-HH
13	115-5018	3	Pulley	41	133-7076	1	V-Belt
14	7-4150	3	Washer	42	117-5302	1	Decal
15	3219-7	3	Nut-Hex	43	1-603401	1	Spacer
16	115-9650-03	3	Blade-Hi Flo	44	323-10	1	Screw-HH
17	125-1736	3	Washer-Belleville	45	133-1212	1	Deflector-Discharge
18	51-4060	3	Screw-Blade	46	109-8854	1	Pin-Chute
19	110-9981	3	Washer-Plain	47	121-2983	1	Spring-Torsion
20	1-413088	1	Bushing-Lever, Lift	65	136-5615	1	Belt Guide - Idler
21	114-0463	2	Washer-Friction, Composite	66	133-9313	1	Tread-Step
22	115-5054	1	Arm-Idler				

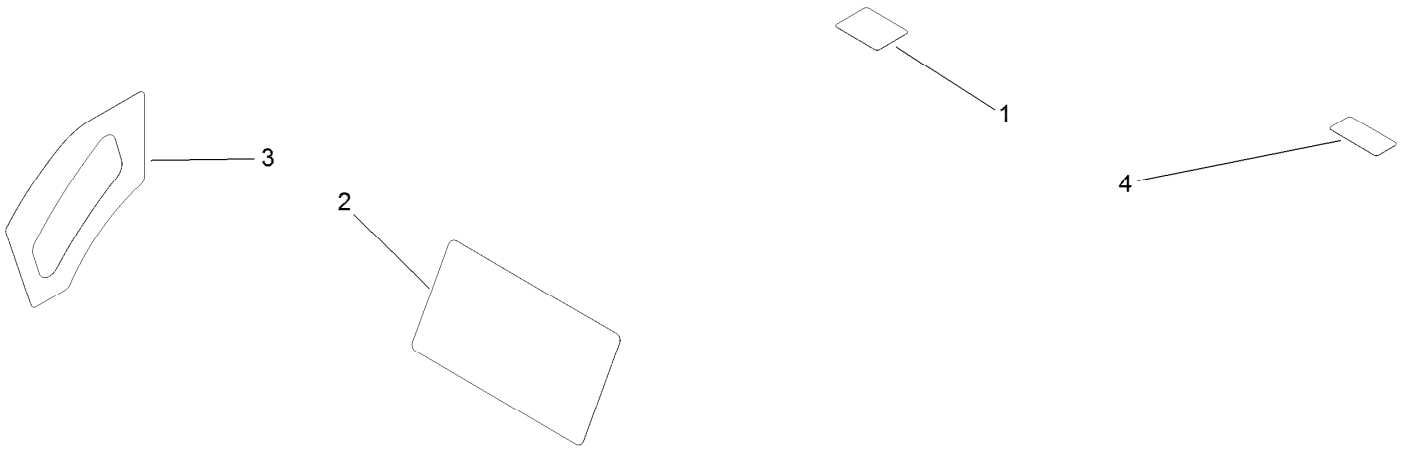
Model Specific Decal Assembly



Model Specific Decal Assembly (continued)

<i>Ref.</i>	<i>Part Number</i>	<i>Qty.</i>	<i>Description</i>	<i>Ref.</i>	<i>Part Number</i>	<i>Qty.</i>	<i>Description</i>
2	132-6895	1	Mat-Floor	6	127-9076	1	Placard-Intake
3	117-2382	4	Plug-Plastic	7	131-1097	1	Decal-Drain, Oil
4	136-5597	1	Decal-Engine	8	132-0904	1	Decal-Shutdown
5	131-4157	1	Decal	9	136-9186	1	Decal-Bucket

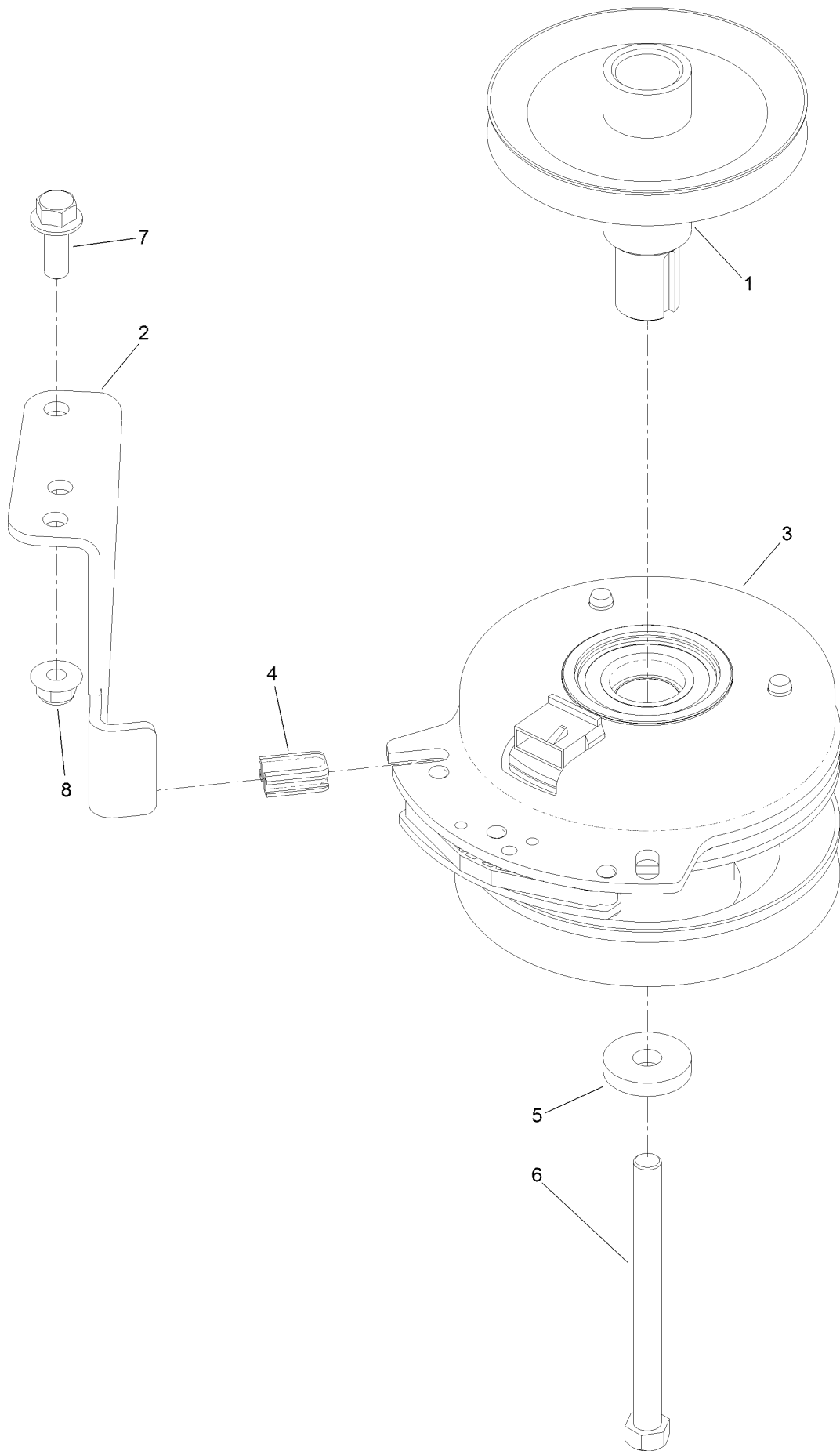
Series Decal Assembly



Series Decal Assembly (continued)

<i>Ref.</i>	<i>Part Number</i>	<i>Qty.</i>	<i>Description</i>	<i>Ref.</i>	<i>Part Number</i>	<i>Qty.</i>	<i>Description</i>
1	136-5596	1	Decal-Maintenance	3	130-0654	1	Decal-HOC
2	131-3947	1	Decal-Control, Speed	4	121-5684	1	Decal-Location, Service Dealer

Clutch Assembly



Clutch Assembly (continued)

<i>Ref.</i>	<i>Part Number</i>	<i>Qty.</i>	<i>Description</i>	<i>Ref.</i>	<i>Part Number</i>	<i>Qty.</i>	<i>Description</i>
1	133-1208	1	Pulley-Engine	5	112843	1	Washer
2	119-8885	1	Stop-Clutch	6	3212-19	1	Screw-HH
3	127-3410	1	Clutch-PTO	7	3234-42	1	Screw-HHF
4	120-2217	1	Isolator-Clutch	8	104-8301	1	Nut-HF, NI

Attachments and Accessories

For 75202 TimeCutter ZX5400 Riding Mower

Product Name	Model/Part
54in/60in Striping Kit.....	117-5319
Leaf Bagging Enhancement Kit	117-7202
Deck Lift Assist Kit	132-6850
5 Gallon Bucket	133-2533
55in Recycler Kit.....	136-7489
Mount Kit	136-7491
Weight Kit	136-7492
Light Kit.....	136-7493
Bucket Mount.....	136-7494
Rops Kit	136-7495
Cargo Carrier	79040
EZ Vac Complete Twin Bagger	79345

Notes:



Count on it.