



# Zoom

## Parts Manual

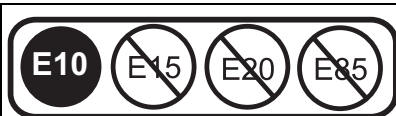
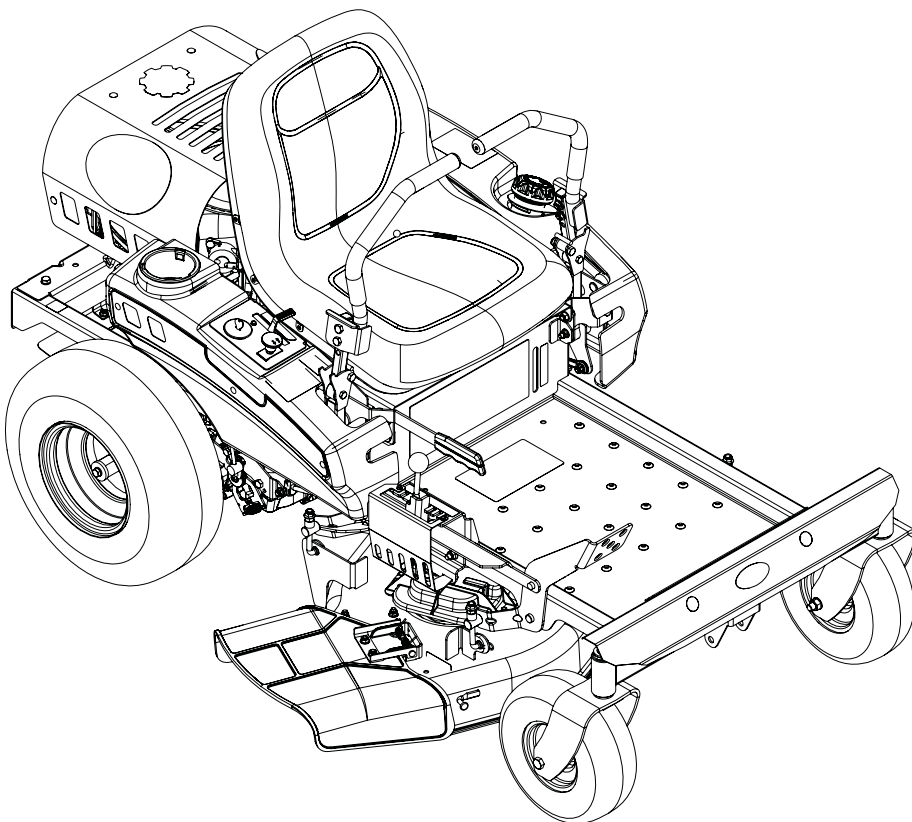
---

### Models

915211 – Zoom 34  
(SN 000101 +)

915213 – Zoom 42  
(SN 000101+)

915215 – Zoom 50  
(SN 000101 +)



The use of any gasoline exceeding 10% ethanol (E10) or 10% MTBE will void the product warranty.  
L'utilisation d'une essence contenant plus de 10% d'éthanol (E10) ou de 10% de MTBE annulent la garantie.  
El uso de cualquier otro tipo de gasolina con un porcentaje superior al 10% de etanol (E10) o al 10% de MTBE invalidará la garantía del producto.

# THE MANUAL

---

Before you operate your unit, carefully and completely read manuals supplied with the unit. The contents will provide you with an understanding of safety instructions and controls during normal operation and maintenance.

For your safety and the safety of others always read, understand, and follow all DANGER, WARNING, and CAUTION messages found in manuals and on safety decals.

Hardware descriptions are given in decimals.

Decimals to Fractions			
.063	1/16	.563	9/16
.125	1/8	.625	5/8
.188	3/16	.688	11/16
.250	1/4	.750	3/4
.313	5/16	.813	13/16
.375	3/8	.875	7/8
.438	7/16	.938	15/16
.500	1/2	1.00	1

## SERVICE AND REPLACEMENT PARTS

---

When ordering replacement parts or making service inquiries, know the Model and Serial numbers of your unit and engine.

Numbers are located on the product registration card in the unit literature package. They are printed on a serial number label, located on the frame of your unit.

• Record Unit Model and Serial numbers here:

• Record Engine Model and Serial numbers here:

## UNAUTHORIZED REPLACEMENT PARTS

Use only Ariens replacement parts. The replacement of any part on this vehicle with anything other than an Ariens authorized replacement part may adversely affect the performance, durability, or safety of this unit and may void the warranty. Ariens disclaims liability for any claims or damages, whether warranty, property damage, personal injury or death arising out of the use of unauthorized replacement parts.

# PRODUCT REGISTRATION

---

The Ariens dealer must register the product at the time of purchase. Registering the product will help the company process warranty claims or contact you with the latest service information. All claims meeting requirements during the limited warranty period will be honored, whether or not the product registration card is returned. Keep a proof of purchase if you do not register your unit.

**Customer Note:** If Dealer does not register your product, please fill out, sign and return the product registration card to Ariens or go to [www.ariens.com](http://www.ariens.com).

## YOUR SATISFACTION IS IMPORTANT

---

Questions? Please follow these helpful steps:

1. Refer to the manuals supplied with your unit.

They will guide you through safe and proper operation and maintenance.

They contain specifications on your unit.

If your questions are not answered in these manuals, go to step number two.

2. Contact Your Dealer.

Our dealers will be happy to supply any service or advice required to keep your unit operating at peak efficiency.

A factory trained staff is available to support your equipment needs. They stock genuine Ariens parts and lubricants manufactured with the same precision and skill as the original.

If your questions are not resolved by the support staff, ask for the manager or owner.

When contacting your Dealer supply your model and serial numbers.

## TO SPEED PARTS ORDERING:

1. Know the model and serial numbers of your unit.

2. Know the part number required.

3. Know the quantity required.

4. Know the part description.

# MODELS

---

## Domestic

### Model 915211 (Zoom 34)

Briggs & Stratton with 34" Mower  
Serial No. 000101 +

### Model 915213 (Zoom 42)

Kohler with 42" Mower  
Serial No. 000101 +

### Model 915215 (Zoom 50)

Kohler with 50" Mower  
Serial No. 000101 +

# TABLE OF CONTENTS

---

## DECALS

---

Decals – Safety . . . . .	4
Decals – Style . . . . .	5

## MAIN FRAME AND TRANSAXLES

---

Frame, Hood, Fenders, Casters and Tires. . . . .	6
Seat and Seat Support. . . . .	8
Transaxle, Dump Valves and Rear Wheels . . . . .	12

## OPERATOR CONTROLS

---

Parking Brake. . . . .	14
Steering Controls . . . . .	16

## FUEL TANKS AND ENGINE

---

Engine, Exhaust, Belts and Idlers . . . . .	18
Fuel Tank . . . . .	20

## ELECTRICAL SYSTEM

---

Continuity Diagram. . . . .	21
Electrical System . . . . .	22
Wiring Diagram . . . . .	24

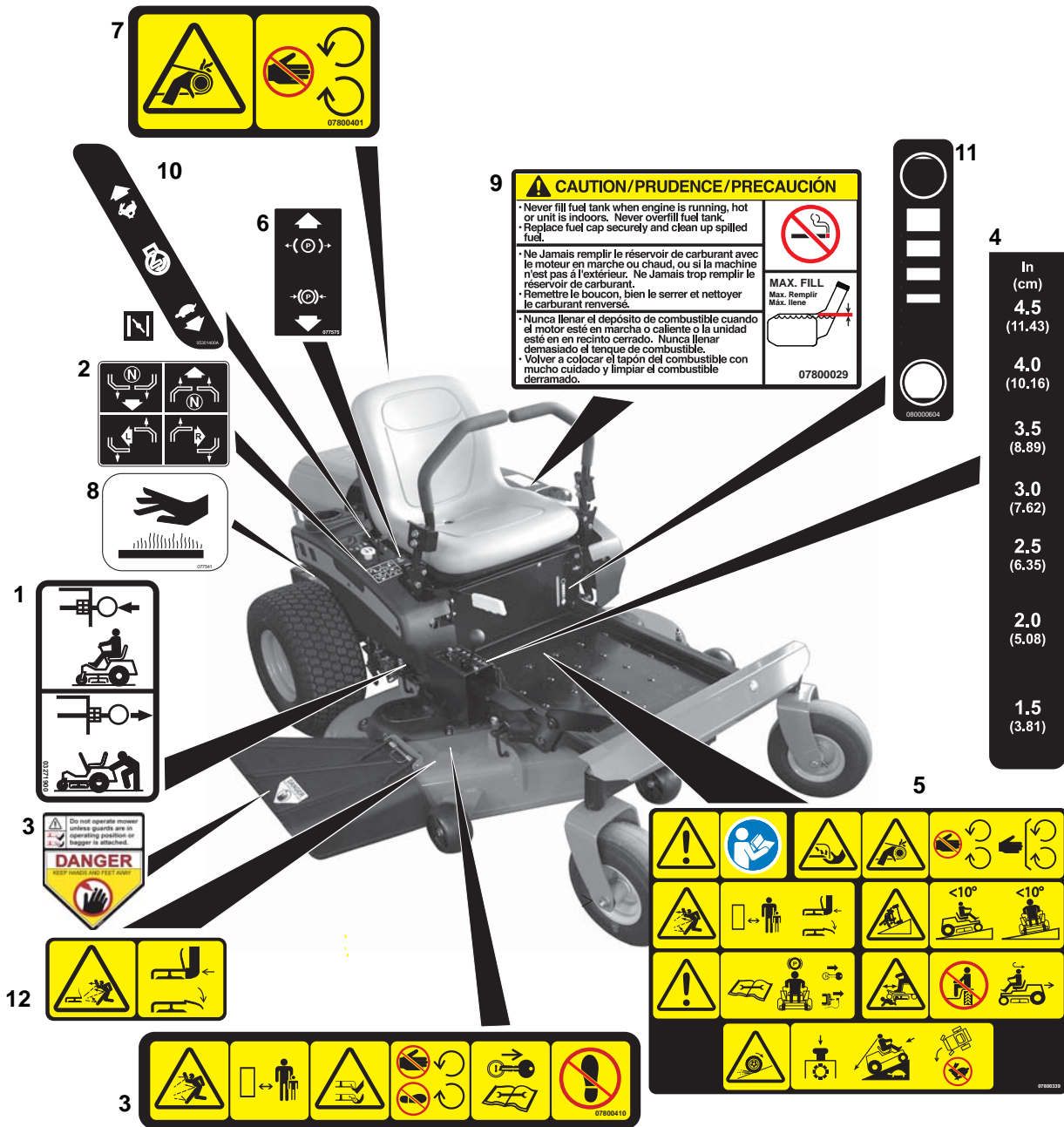
## MOWER DECKS

---

Mower Deck Lift . . . . .	26
Mower Deck, Belt and Idlers . . . . .	28
Belt Covers and Blades . . . . .	32

# DECALS – SAFETY

## Model All



Item	Part No.	Qty.	Description
1	03271900	2	Decal, Transmission Disconnect
2	07757600	1	Decal, Instructional Steering
3	07800410	2	Decal, Safety – Mower Deck
4	07800334	1	Decal, Cut Height
5	07800403	1	Decal, Safety – Main
6	07757500	1	Decal, Parking Brake Lever
7	07800401	1	Decal, Safety – Guarding
8	07754100	2	Decal, Hot Surface
9	07800029	1	Decal, Fuel Warning
10	05301400	1	Decal, ZT XL Control
11	08000604	1	Decal, Fuel Level
12	07800402	1	Decal, Safety – Deck Guarding

# DECALS – STYLE

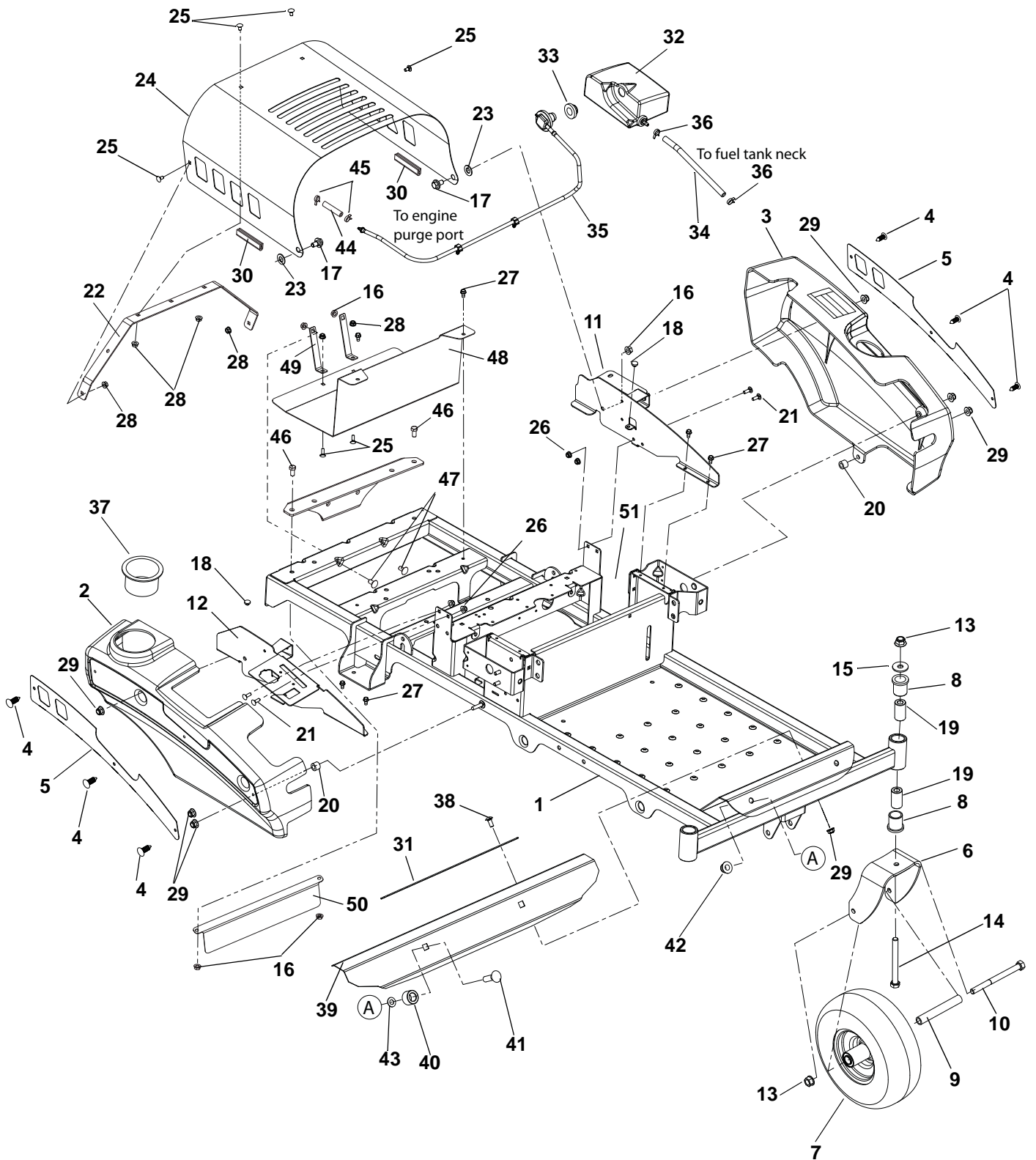
Model All



Item	Part No.	Qty.	Description
1	07800337	2	Decal, Fuel Tank Ariens
2	07800206	1	Decal, Zoom 34 (915211)
	07800207	1	Decal, Zoom 42 (915213)
	07800208	1	Decal, Zoom 50 (915215)
3	07800223	1	Decal, Ariens Domed Jewel
4	07800035	1	Decal, Powered By B&S (915211)
	03818600	1	Decal, Powered By Kohler (915213, 215)
5	07800034	1	Decal, Deck Size 34" (915211)
6	07800515	1	Decal, Deck Warranty - Xcel

# FRAME, HOOD, FENDERS, CASTERS AND TIRES

Model All



# FRAME, HOOD, FENDERS, CASTERS AND TIRES

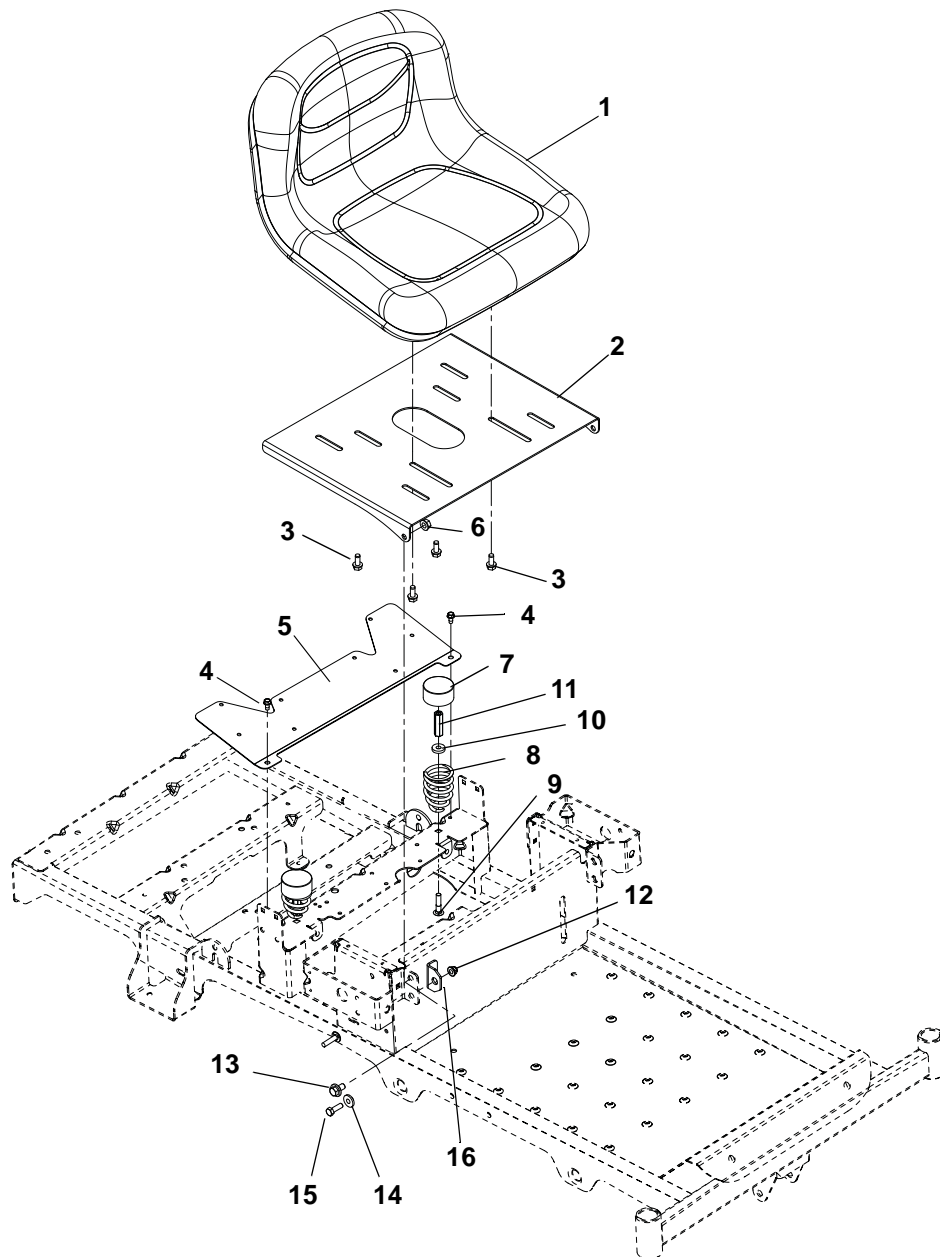
---

## Model All

Item	Part No.	Qty.	Description
1	51525900	1	Weldment, Frame
2	03768600	1	Fender, Right Hand
3	03768700	1	Fender, Left Hand
4	07500125	6	Rivet, Nylon
5	03769059	2	Plate, Fender
6	03368559	2	Fork, Caster
7	07100124	2	Wheel/Tire Assembly, 11 x 4-5
8	05500934	4	Bushing, Flange 1.00 x 1.25 x 1.50 x 1.50
9	00278500	2	Spacer, Wheel
10	05964400	2	Bolt, Hex .50-13 x 6.50
11	04240759	1	Weldment, Left Hand Fender Mount
12	04821059	1	Weldment, Right Hand Fender Mount
13	06543600	4	Nut, Locking Top Flange .50-13
14	05962200	2	Bolt, Hex .50-13 x 5.00
15	06436400	2	Washer, Flat Steel .511 x 1.441 x .125
16	06542000	6	Nut, Locking Top Flange .38-16
17	07056700	2	Bolt, Shoulder .375-16 x .135
18	07503100	2	Bumper Grommet .125 x .250 Diameter
19	00363100	4	Spacer, Caster
20	08553700	2	Bushing, Sleeve .391 x .688 x .52
21	06219900	4	Bolt, Round Head Square Neck .25-20 x .75
22	04085759	1	Hood Brace
23	06443300	2	Washer, Flat Nylon .52 x 1.00 x .08
24	04411859	1	Hood, Zoom
25	06220600	6	Bolt, Round Head Square Neck .25-20 x .50
26	06500012	4	Nut, Locking Top Flange .25-20
27	07400034	6	Screw, Tapping .25-20 x .50 Hex Washer Head Thread
28	06543500	6	Nut, Locking Top Flange .25-20
29	06545400	8	Nut, Locking Nylon Flange .31-18
30	07500103	2	Edging, Clutch Paddle - 2.00"
31	03833800	1	Grip, Adhesive (1" x 16" BLK)
32	04423000	1	Expansion Tank Subassembly
33	04082700	1	Grommet, Remote Vent Nitrile
34	03278100	1	Hose, .25 Low-Perm Bulk Gas (7 inches)
35	04745700	1	Assembly, Fuel Vent – Kohler, Briggs and Stratton 915211
36	03278800	2	Clamp, Hose Wire .490/.510 x .116
37	04192700	1	Cupholder, Snap-In, 3.75 OD
38	06218900	2	Bolt, Round Head Square Neck .31-18 x .75
39	04188359	1	Foot Rest
40	04192901	2	Tube, Upper Control Pivot
41	06224800	2	Bolt, Round Head Square Neck .50-13 x 1.75
42	06500010	2	Nut, Locking Nylon Flange .50-13
43	06500705	2	Nut, Push .50
44	03375900	NA	Hose, .188 Low-PERM Bulk Gas (as required)
45	04097700	2	Clamp-Hose, Spring .188
46	05948700	2	Bolt, Hex .38-16 x 1.00
47	06223600	2	Bolt, Round Head Square Neck .38-16 x 1.00
48	04739351	1	Guard, Heat Shield (Zoom)
49	04739451	2	Strap, Heat Shield (Zoom)
50	04739551	1	Guard, Hot Surface (Zoom)
51	07506500	1	Grommet, 1.0 I.D. x 1.38 O.D.

# SEAT AND SEAT SUPPORT

Model 915211





# SEAT AND SEAT SUPPORT

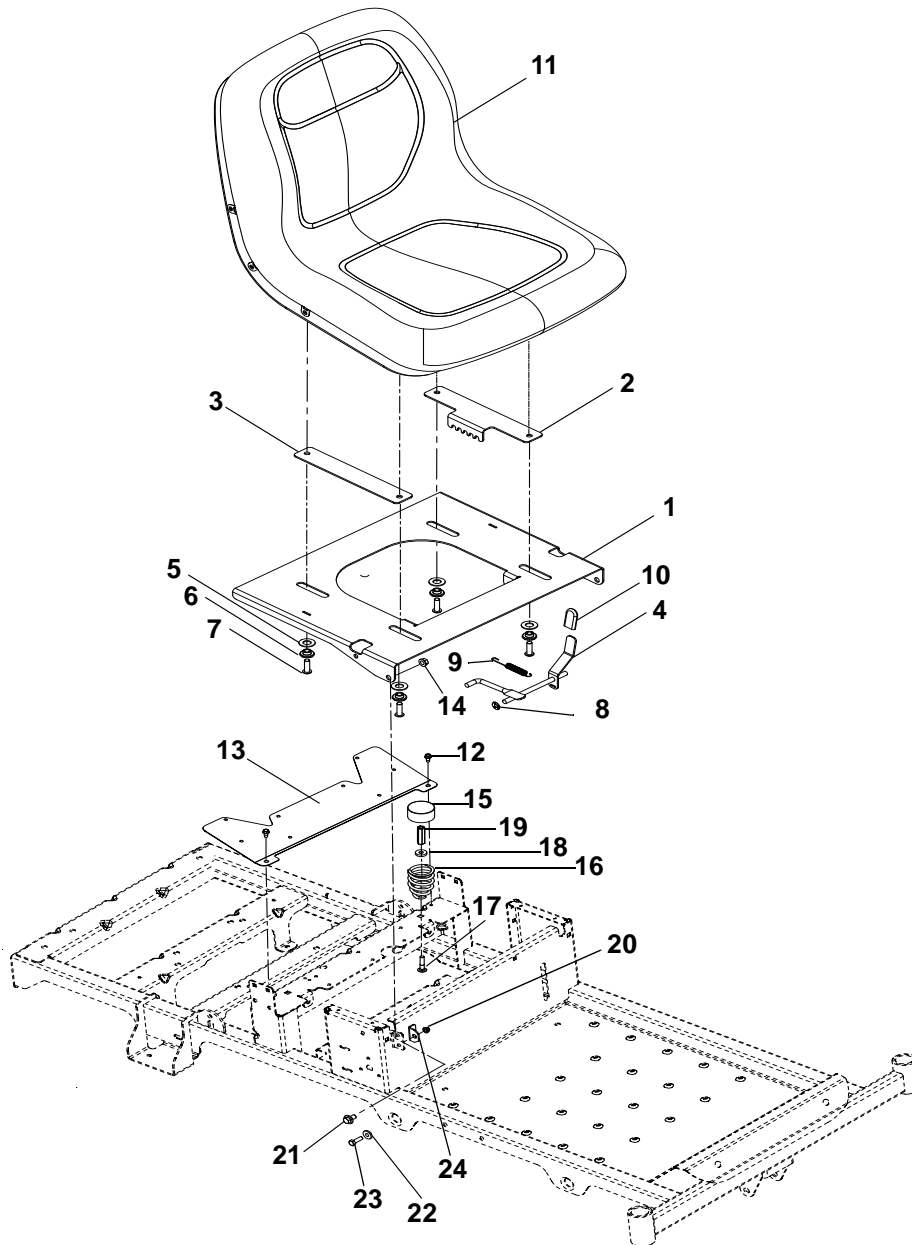
---

## Model 915211

Item	Part No.	Qty.	Description
1	03795800	1	Seat, 13 in Grey
2	03782051	1	Seat Plate
3	05900033	4	Bolt, Hex 5/16-18 x 3/4
4	07412000	2	Screw, Tapping .25-20 x .50 Hex Washer Head Thread
5	03753351	1	Guard, Fan
6	06542000	2	Nut, .38-16 Locking Top Flange
7	00337700	2	Hub Cap
8	08300021	2	Spring, Seat
9	06212100	2	Bolt, Round Head Square Neck .31-18 x 1.50
10	06439100	2	Washer, Flat Steel .328 x .87 x .179
11	06500015	2	Nut, Coupling 5/16-18 x 1.75
12	06545400	2	Nut, 5/16-18 Flange Nyloc
13	07056700	2	Bolt, Shoulder .375-16 x .135
14	01305900	2	Bushing, Flange .325 x .499 x .26 x .88
15	05946900	2	Bolt, Hex .31-18 x 1.00
16	03798751	2	Bracket, Seat Stop

# SEAT AND SEAT SUPPORT

Model 915213, 215



# SEAT AND SEAT SUPPORT

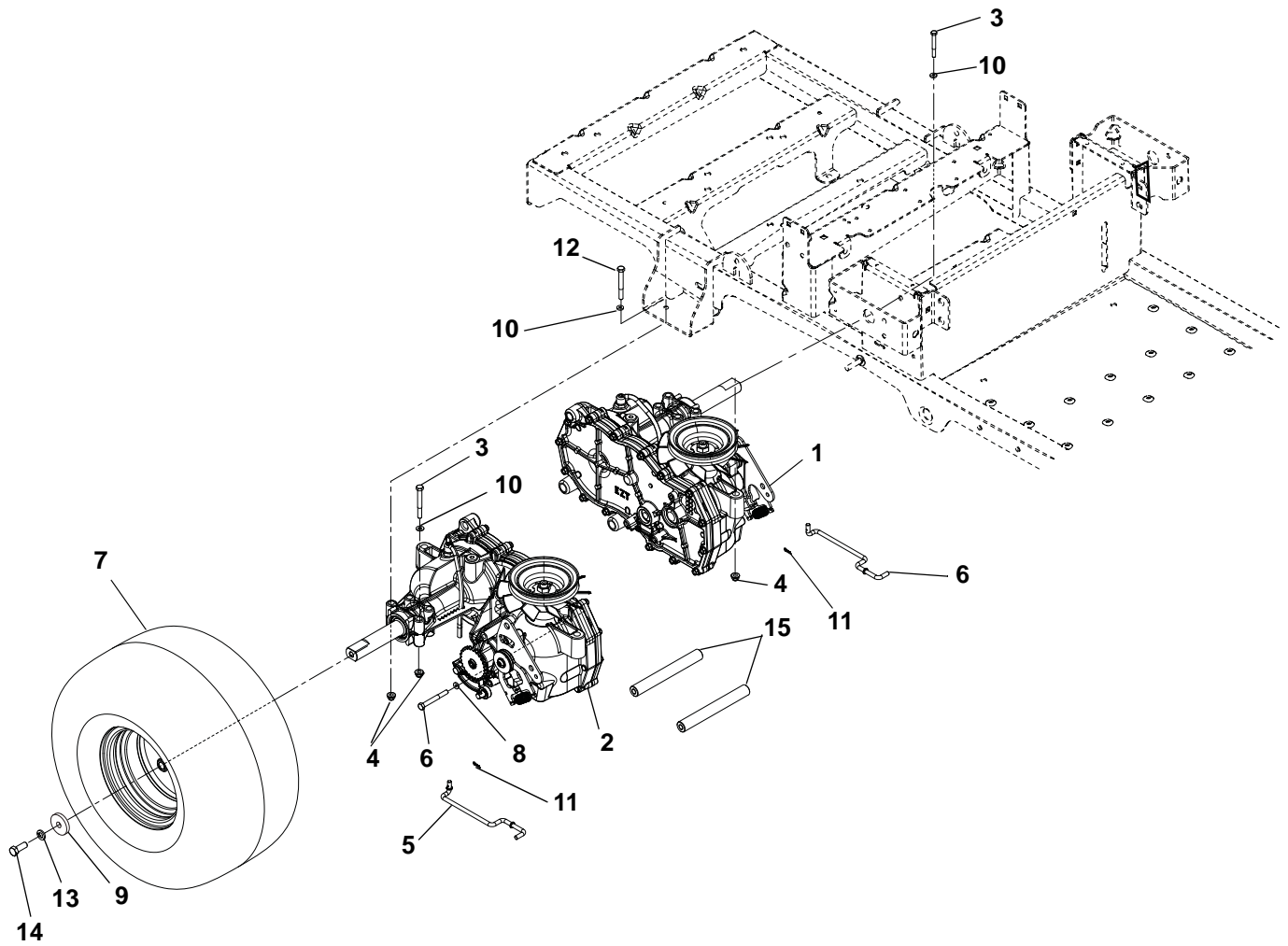
---

## Model 915213, 215

Item	Part No.	Qty.	Description
1	04376251	1	Plate, Adjustable Seat
2	04376951	1	Plate, Adjustable Seat Track
3	04377051	1	Plate Adjustable Seat Slide
4	04377167	1	Weldment, Adjustable Seat Latch
5	06439200	4	Washer, Flat Steel .505 x 1.00 x .062
6	05514800	4	Bushing, Flange .32 x .500 x .344 x .880
7	05901508	4	Screw, Socket Head, Button Head .31-18 x 1.00
8	06514900	1	Push Nut 5/16
9	08321100	1	Spring Tension .043 x .44 x 3.31 Weldment 5.8
10	04396600	1	Grip, Seat Lever, Grey
11	04278000	1	Seat, Milsco XB180 Grey
12	07412000	2	Screw, Tapping .25-20 x .50 Hex Washer Head Thread
13	03753351	1	Guard, Fan
14	06542000	2	Nut, .38-16 Locking Top Flange
15	00337700	2	Hub Cap
16	08300021	2	Spring, Seat
17	06212100	2	Bolt, Round Head Square Neck .31-18 x 1.50
18	06439100	2	Washer, Flat Steel .328 x .87 x .179
19	06500015	2	Nut, Coupling 5/16-18 x 1.75
20	06545400	2	Nut, 5/16-18 Flange Nyloc
21	07056700	2	Bolt, Shoulder .375-16 x .135
22	01305900	2	Bushing, Flange .325 x .499 x .26 x .88
23	05946900	2	Bolt, Hex .31-18 x 1.00
24	03798751	2	Bracket, Seat Stop

# TRANSAXLE, DUMP VALVES AND REAR WHEELS

Model All



# TRANSAXLE, DUMP VALVES AND REAR WHEELS

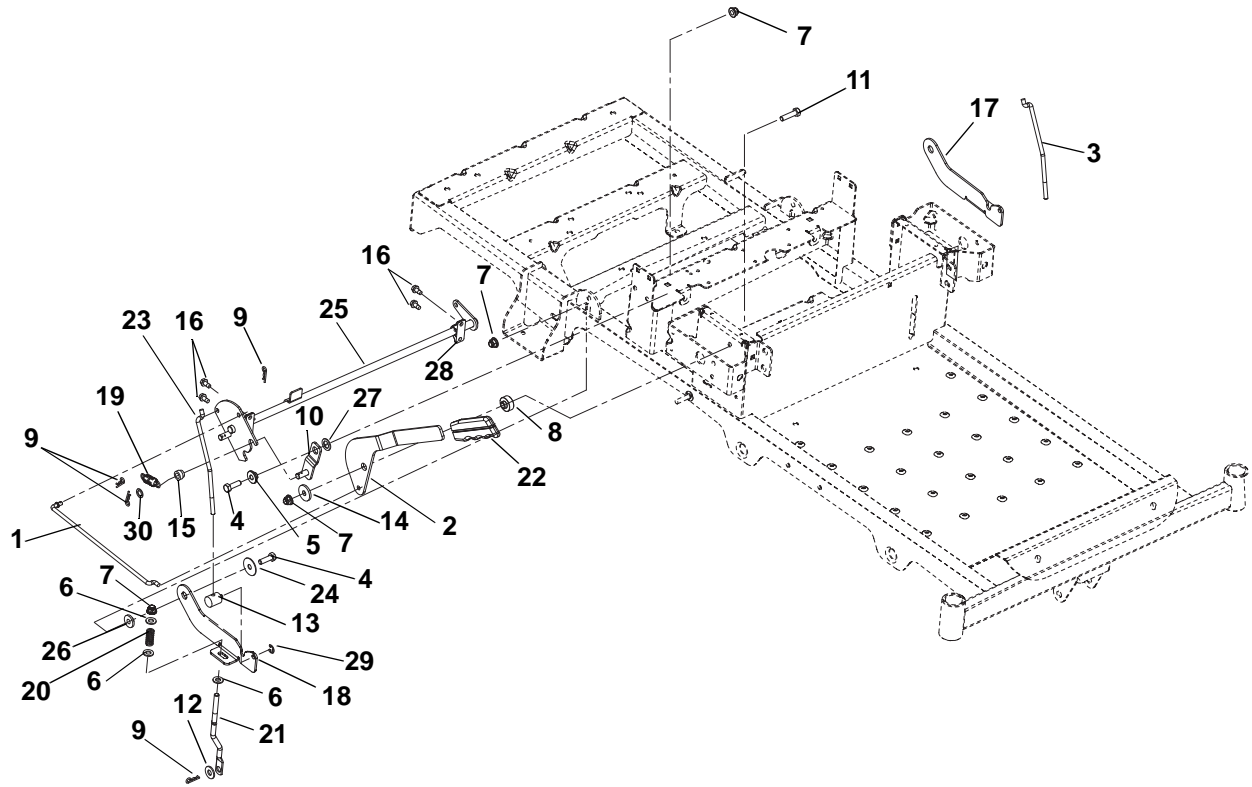
---

## Model All

Item	Part No.	Qty.	Description
1	03872300	1	Transaxle, Left Hand EZT D-Shaft (915211)
	04382300	1	Transaxle, Left Hand EZT D-Shaft Long (915213, 215)
2	03872400	1	Transaxle, Right Hand EZT D-Shaft (915211)
	04382400	1	Transaxle, Right Hand EZT D-Shaft Long (915213, 215)
3	05963700	4	Bolt, Hex .31-18 x 2.25
4	06545400	8	Nut 5/16-18 Flange Nyloc
5	03762700	1	Dump Valve, Right Hand
6	03762800	1	Dump Valve, Left Hand
7	07100809	2	Tire Assembly 18 x 6.5-8 2 Ply DSHAFT (915211)
	07100928	2	Tire/Wheel Assembly, 18 x 8.5-8 Center (915213)
	07100929	2	Tire/Wheel Assembly, 18 x 9.50-8 Offset (915215)
8	06444000	4	Washer, Flat Steel .406 x 1.00 x .188
9	06400006	2	Washer, Flat Steel .406 x 1.50 x .245
10	06435700	8	Washer, Flat Steel .38 x .875 x .083
11	06701900	2	Pin, Hair, Internal .06 x .18 x .77
12	05960600	4	Bolt, Hex .31-18 x 2.75
13	06308800	2	Washer, Locking .38 x .094 Regular
14	05900013	2	Bolt, Hex .38-16 x 1.00 YWZC EP30
15	03762067	2	Shaft, Transaxle Brace

# PARKING BRAKE

Model All



# PARKING BRAKE

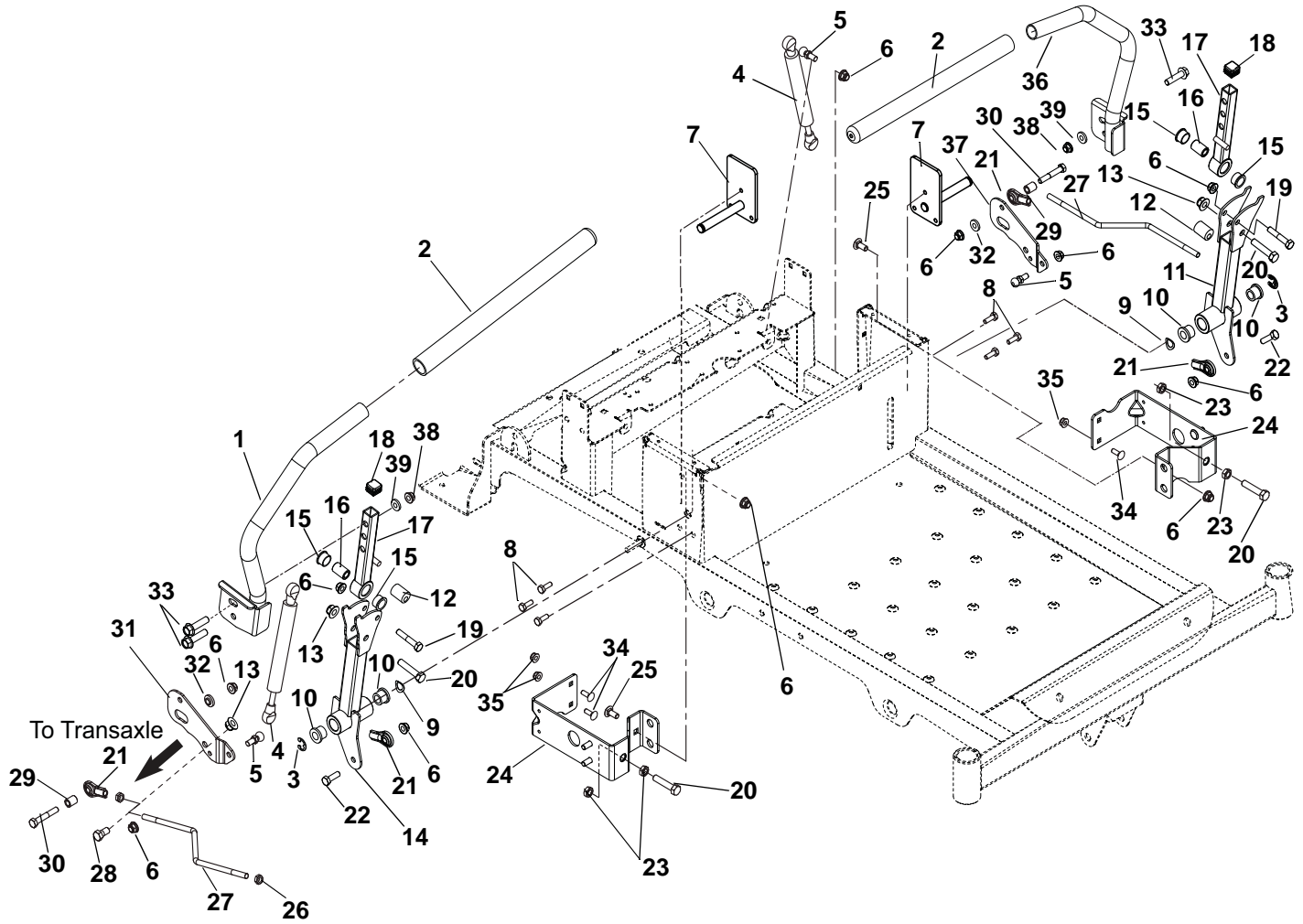
---

## Model All

Item	Part No.	Qty.	Description
1	03759400	1	Link, Brake Handle
2	03759167	1	Handle, Parking Brake
3	03823300	1	Link, Neutral Left Hand
4	05946900	3	Bolt, Hex .31-18 x 1.00
5	05514800	1	Bushing, Flange .312 x .500 x .344 x .880
6	06437200	6	Washer, Flat Steel .344 x .688 x .065
7	06545400	6	Nut, Flange Nyloc 5/16-18
8	03769400	1	Spacer, Brake Handle
9	06713500	5	Pin, Hair Internal .08 x .18 x 1.18
10	03759200	1	Weldment, Detent Arm
11	05947500	1	Bolt, Hex .31-18 x 1.25
12	06435700	2	Washer, Flat Steel .38 x .875 x .083
13	03764800	2	Trunnion, 1/4-20
14	06446300	1	Washer, Flat Steel .344 x 1.125 x .135
15	03764900	1	Roller
16	07400034	4	Screw, Tapping .25-20 x .50 Hex Washer Head
17	03759067	1	Latch, Left Hand Neutral
18	03758967	1	Latch, Right Hand Neutral
19	08326700	1	Spring, Tension .072 x .565 x 1.87
20	08300028	2	Spring, Compression
21	03759667	2	Link, Brake Cog
22	03826900	1	Grip, Parking Brake
23	03759500	1	Link, Neutral Right Hand
24	06446900	2	Washer, Flat Steel .347 x 1.254 x .048
25	03761167	1	Weldment, Brake Shaft
26	01305900	2	Bushing, Flange .325 x .499 x .26 x .88
27	06441100	1	Washer, Flat Steel .52 x .827 x .062
28	03757501	2	Bushing, .50 Clamp Block Molded
29	05700125	2	Ring, Retaining, External .250 x .025
30	06400840	1	Washer, Steel .385 x .745 x .030

# STEERING CONTROLS

Model All





# STEERING CONTROLS

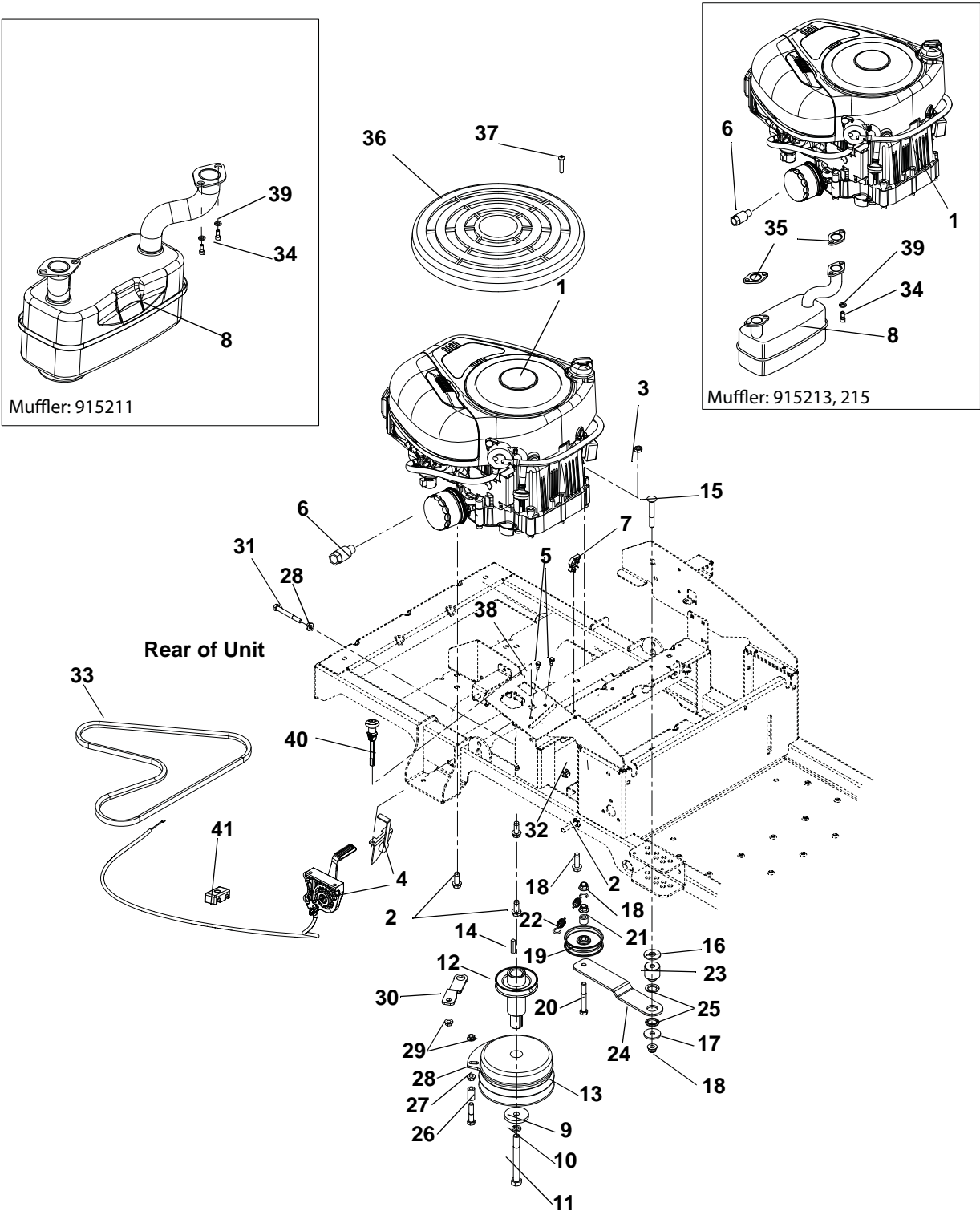
---

## Model All

Item	Part No.	Qty.	Description
1	04193051	1	Weldment, Steering Handle Right Hand
2	04257400	2	Grip, Handlebar 15" Foam
3	05710200	2	Ring, Retaining External .438 x 1.00 x 0.83
4	03943800	2	Damper
5	03652200	4	Stud, Ball
6	06545400	12	Nut, .31-18 Flange
7	04197651	2	Weldment, Steering Shaft
8	07400034	6	Screw, Tapping .25-20 x .50 Hex Washer Head
9	06400005	2	Washer, Wave
10	05511000	4	Bushing, Flanged
11	04192851	1	Weldment, Lower Control Arm
12	05500932	2	Bushing, Eccentric
13	06545500	4	Nut, .38-16 Nyloc Flange
14	04199451	1	Weldment, Lower Control Right Hand
15	05501017	4	Bushing, Flanged
16	04193500	2	Spacer, .375 x .625 x .970
17	04192951	2	Weldment, Upper Control Arm
18	07500131	2	Cap Plug, Square
19	05957400	2	Bolt, Hex .31-18 x 1.75
20	05974000	4	Bolt, Hex .375-16 x 1.75
21	03787100	4	Alignaball, 5/16 RH Thread
22	05946900	2	Bolt, Hex .31-18 x 1.00
23	06535900	4	Nut, Hex Jam .375-16
24	03956251	2	Bracket, Speed Adjustment/Seat Pivot
25	06220800	2	Bolt, Round Head Square Neck .31-18 x .75
26	06536700	4	Nut, Jam, .31-24
27	04197300	2	Wireform, Steering Link
28	05959400	2	Bolt, Hex .38-16 x .75
29	04208000	2	Spacer, .328 x .500 x .625
30	05957200	2	Bolt, Hex .31-18 x 2.00
31	03759351	1	Plate, Dampener Right Hand
32	04147200	2	Bushing, Flanged
33	07050000	4	Bolt, Serrated Hex Flange Washer Head .375-16 x 1.25
34	06219900	4	Bolt, Round Head Square Neck .25-20 x .75
35	06500012	4	Nut, Locking Nylon Flange .25-20
36	04199551	1	Weldment, Steering Handle Left Hand
37	03766051	1	Plate, Damper Left Hand
38	06537200	4	Nut, Locking Center Jam .375-16
39	06436200	4	Washer, Flat Steel .406 x .812 x .065

# ENGINE, EXHAUST, BELTS AND IDLERS

Model All



# ENGINE, EXHAUST, BELTS AND IDLERS

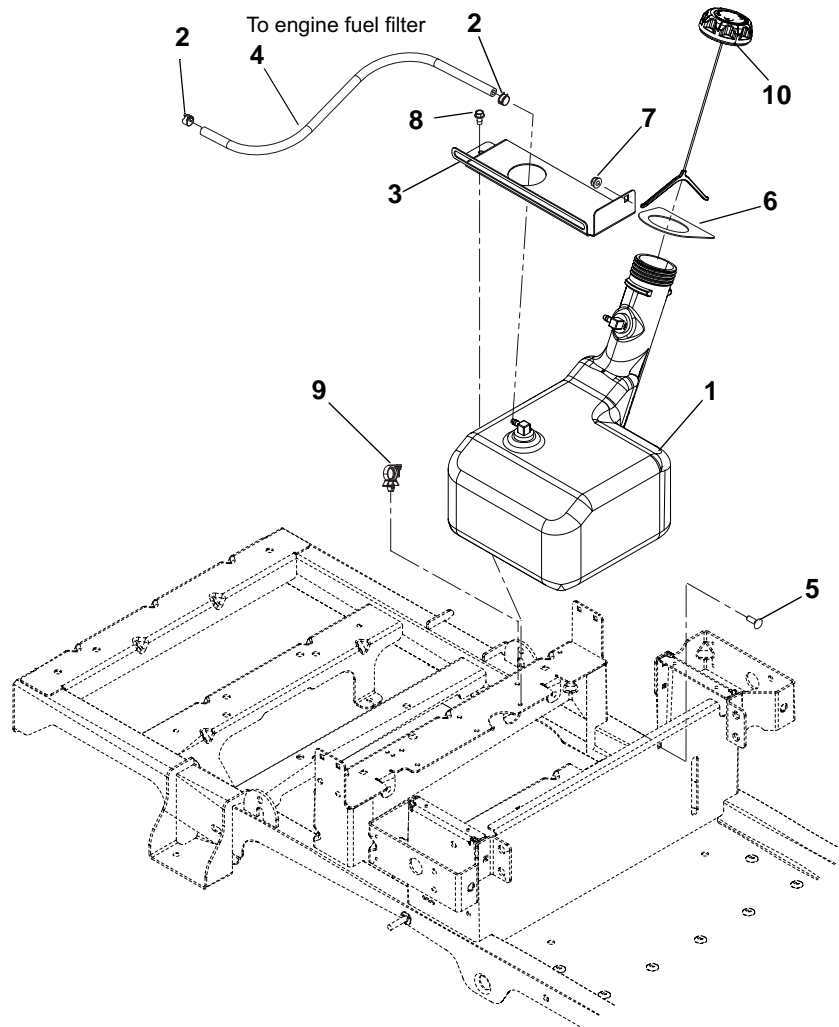
---

## Model All

Item	Part No.	Qty.	Description
1	08201125	1	Engine, Kohler Twin 19 HP (915211, 213)
	08201126	1	Engine, Kohler Twin - 21 HP (915215)
2	07414700	4	Screw, Tapping .38-16 x 1.25 Hex Washer Head
3	06537200	1	Nut, Locking Jam .375-16
4	06900416	1	Cable, Throttle
	06900624	1	Cable, Throttle/Choke (915211)
5	07415800	2	Screw, Tapping 10-24 x .50 Hex Washer Head
6	03943600	1	Oil Drain
7	00390100	4	Wire Clip (for 25" hole)
8	04749600	1	Muffler, Kohler Twin (915213, 215)
	02997300	1	Muffler, Twin Briggs and Stratton (915211)
9	06443600	1	Washer, Flat Steel .469 x 2.00 x .25
10	06309300	1	Washer, Locking .44 x .109 Regular
11	05966700	1	Bolt, Hex .44-20 x 4.50 Grade 8
12	03992000	1	Weldment, PTO Extension w/Sheave
13	03972700	1	Clutch, 105 FT*LB MONO Pole
14	06603400	1	Key, Square .25 x 1.25 x .25 SAE 8630 or SAE 1035
15	06225400	1	Bolt, Round Head Square Neck .38-16 x 2.75
16	06442000	1	Washer, Flat Steel .563 x 1.38 x .109
17	06442400	2	Washer, Flat Steel .406 x 1.375 x .135
18	06545500	3	Nut, Locking Nylon Flange .38-16
19	07300221	1	Pulley, Engine Clutch
20	05961400	1	Bolt, Hex .38-16 x 2.75
21	08553700	1	Bushing, Sleeve .391 x .688 x .52
22	08300512	1	Spring, Extension
23	03961100	1	Spacer, Ground Drive Idler
24	03961067	1	Idler Arm, Ground Drive
25	03960700	1	Bushing, Idler Arm
26	05901418	1	Screw, Cap .31-18 x 1.75
27	03980200	1	Spacer, Rubber 5/16 ID x 1.0
28	06530400	2	Nut, Spin Lock Flange .312-18
29	06543100	2	Nut, Locking Top Flange .31-18
30	03956751	1	Bracket, Clutch Stop
31	05960600	1	Bolt, Hex .31-18 x 2.75
32	06545400	1	Nut, Locking Nylon Flange .31-18
33	07200010	1	V-Belt, HA-RAW Edge Laminated
34	05933100	4	Cap screw 31-18 x .75 S/HD (915213, 215)
35	05600505	2	Gasket, Muffler Courage Twin
36	03275500	1	Guard, Briggs Engine (915211)
37	06100206	1	Screw, 8-16 x .87(915211)
38	07500123	1	Plug 5/8" SQ Black (915211)
39	06308600	4	Washer, Locking .31 x .078 Regular
40	06900408	1	Cable, Choke (915213, 215)
41	04427100	1	Cable Clip(915213, 215)

# FUEL TANK

## Model All



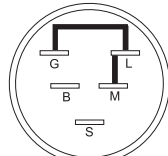
Item	Part No.	Qty.	Description
1	04422900	1	Fuel Tank Subassembly
2	03278800	2	Clamp, Fuel Line
3	03771451	1	Bracket, Tank Strap
4	03278100	NA	Hose, .25 Low Perm Gas (as required)
5	06219900	1	Bolt, Round Head Square Neck .25-20 x .75
6	03795700	1	Seal, Tank Neck
7	06500012	1	Nut, .25-20 Nyloc Flange
8	07400034	1	Screw, Tapping .25-20 x .50 Hex Washer Head
9	00390100	1	Wire Clip
10	04589200	1	Cap, Fuel Vent-In 2.25"

# CONTINUITY DIAGRAM

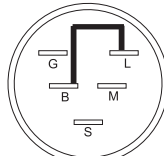
## Model All

The diagrams below show the various states of connection for electrical components.  
The solid lines on switches show continuity.  
NOTE: All switches are viewed from the rear.

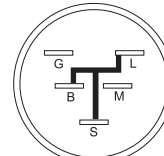
### Key Switch (01588300)



OFF

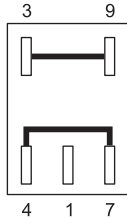


RUN

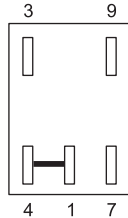


START

### PTO Switch (04399600)

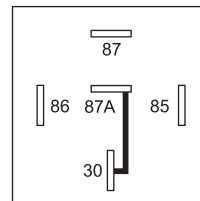


DISENGAGED  
(down position)

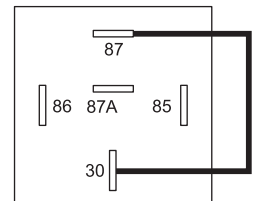


ENGAGED  
(up position)

### Relay (03042800)

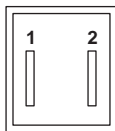


NOT ENERGIZED

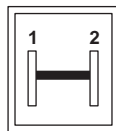


ENERGIZED

### Seat Switch (03654200)

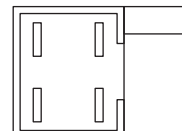


OPERATOR  
OFF SEAT

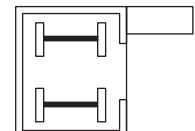


OPERATOR  
ON SEAT

### Park Brake Switch (03606600)

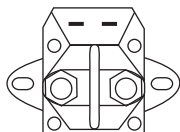


BUTTON OUT

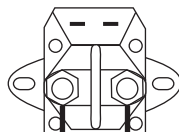


BUTTON IN

### Solenoid (00696900)



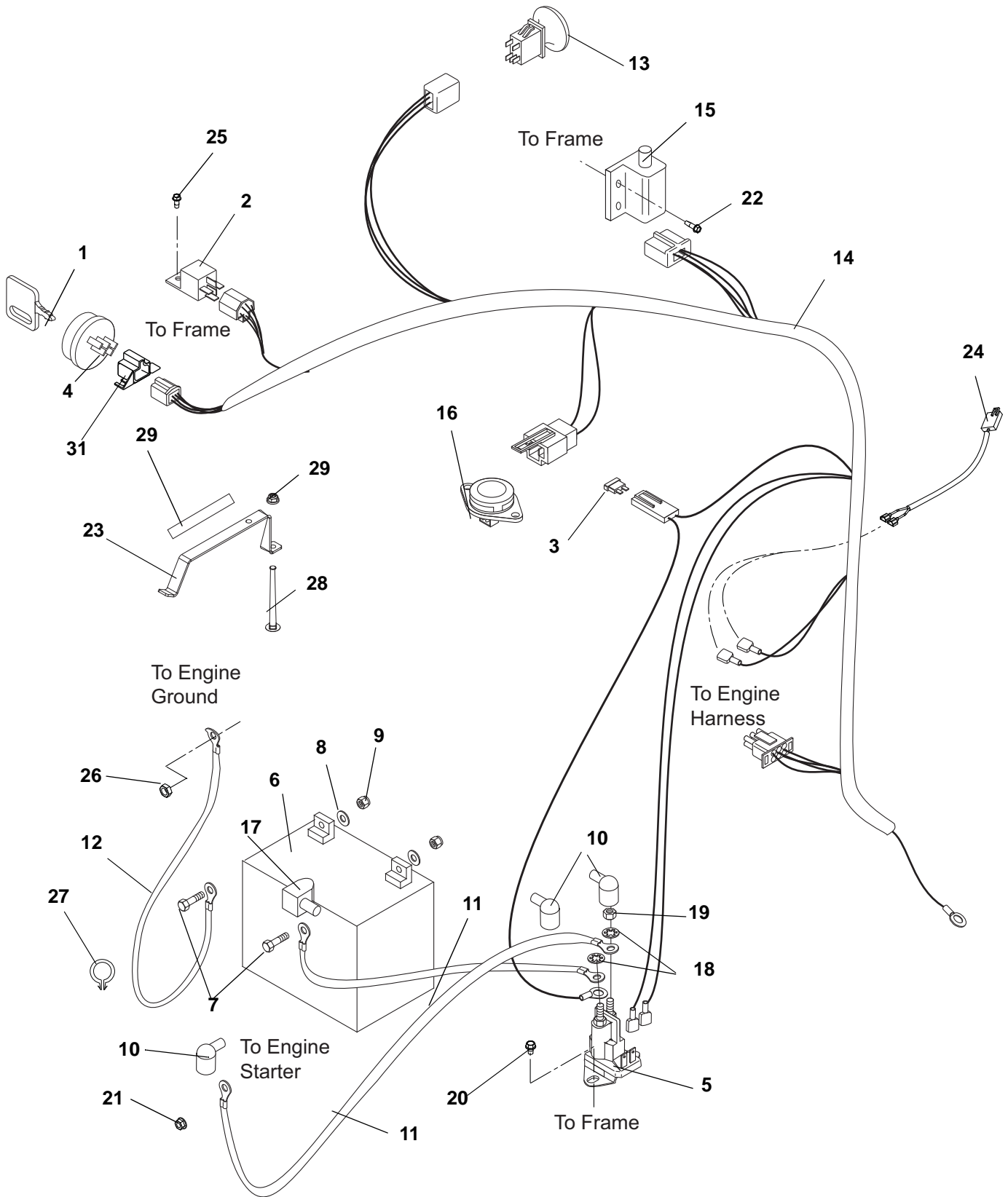
NOT ENERGIZED



ENERGIZED

# ELECTRICAL SYSTEM

Model All



# ELECTRICAL SYSTEM

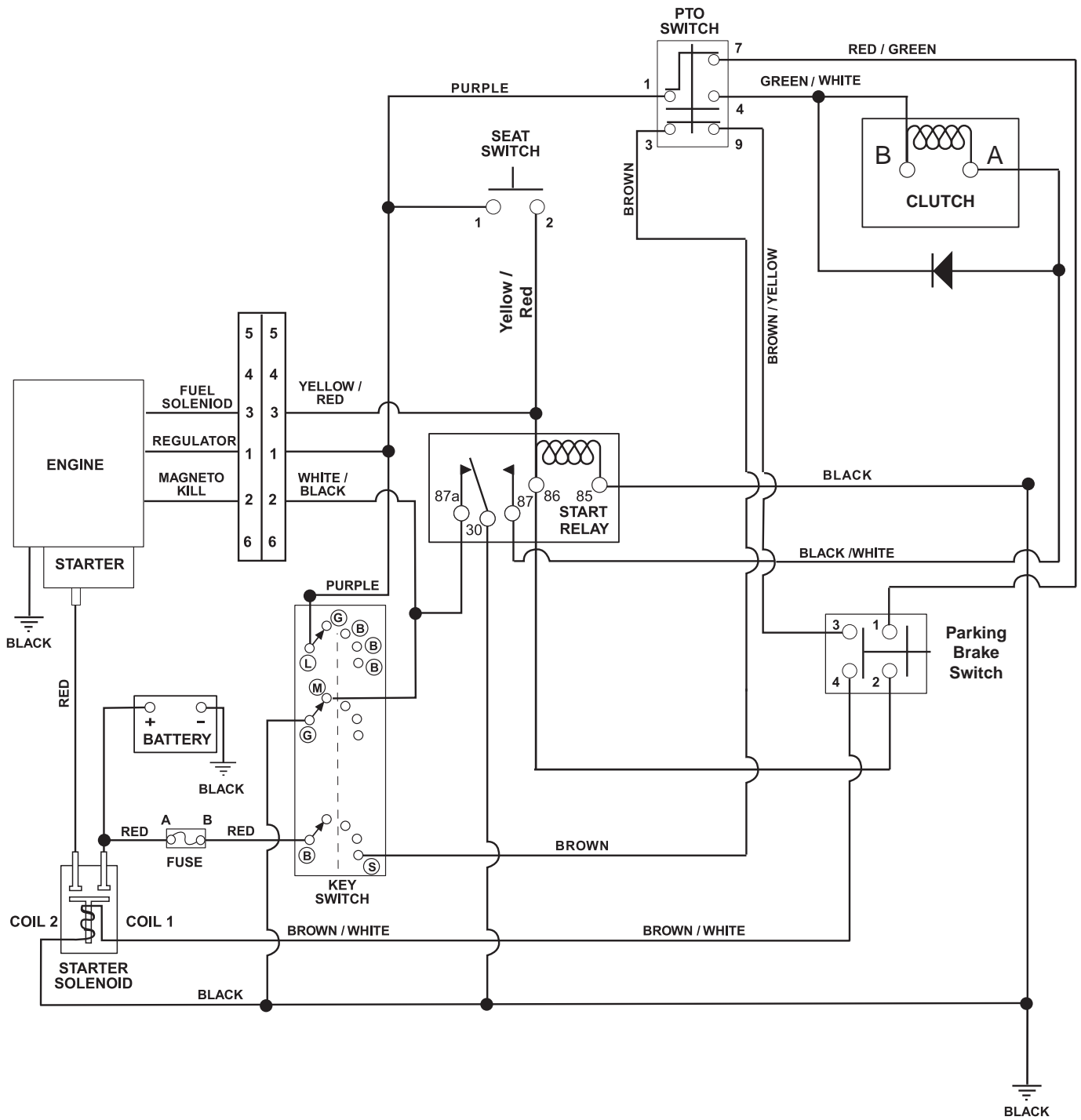
---

## Model All

Item	Part No.	Qty.	Description
1	03927000	1	Key (915213, 215)
	02460700	1	Key- with Cap (915211)
2	03042800	1	Relay
3	09351100	1	Fuse, 30 AMP
4	03290500	1	Key Switch with Key (915211)
	01588300	1	Key Switch (915211)
5	04781960	1	Solenoid
6	04738800	1	Battery, 12V 12A (Can be replaced with U1 190 or larger)
7	05946800	2	Bolt, Hex .25-20 x .75
8	06437300	2	Washer, Flat Steel .281 x .62 x .065
9	06509200	2	Nut, KEPS .250-20
10	07533200	3	Boot, Eyelet Terminal
11	04787400	2	Cable, POS
12	04249900	1	Ground Cable
13	04399600	1	Switch, Clutch With Retainer
14	04782000	1	Harness, Wiring Zoom
15	03606600	1	Switch, Double Pole N.O. / N.O.
16	03654200	1	Switch, Snap Mounting (N.O.)
17	07505700	1	Insulator
18	06306800	2	Washer, Locking .31
19	06529800	2	Nut-Hex M6x1.0
20	07411600	2	Screw, Tapping .250-20 x .37 Hex Washer Head
21	06543500	1	Nut, Locking Top Flange .25-20
22	07400038	2	Screw, 12-14 x .75 HX
23	04385351	1	Hold Down, Battery
24	03972600	1	Harness, Clutch
25	07415800	1	Screw, Tapping 10-24 x .50 HWH TR YWZC (Lubricated or Waxed)
26	06537200	1	Nut, Locking Center Jam .375-16 (915211)
27	00390100	1	Wire Clip (915213, 215)
28	06200211	1	Bolt, Round Head Square Neck .25-20 x 4.50
29	06500012	1	Nut, Locking Nylon Flange .25-20
30	07517300	2	Cable Tie
31	04960300	1	Wire Harness, Key Switch ADAPT (915211)

# WIRING DIAGRAM

Model All



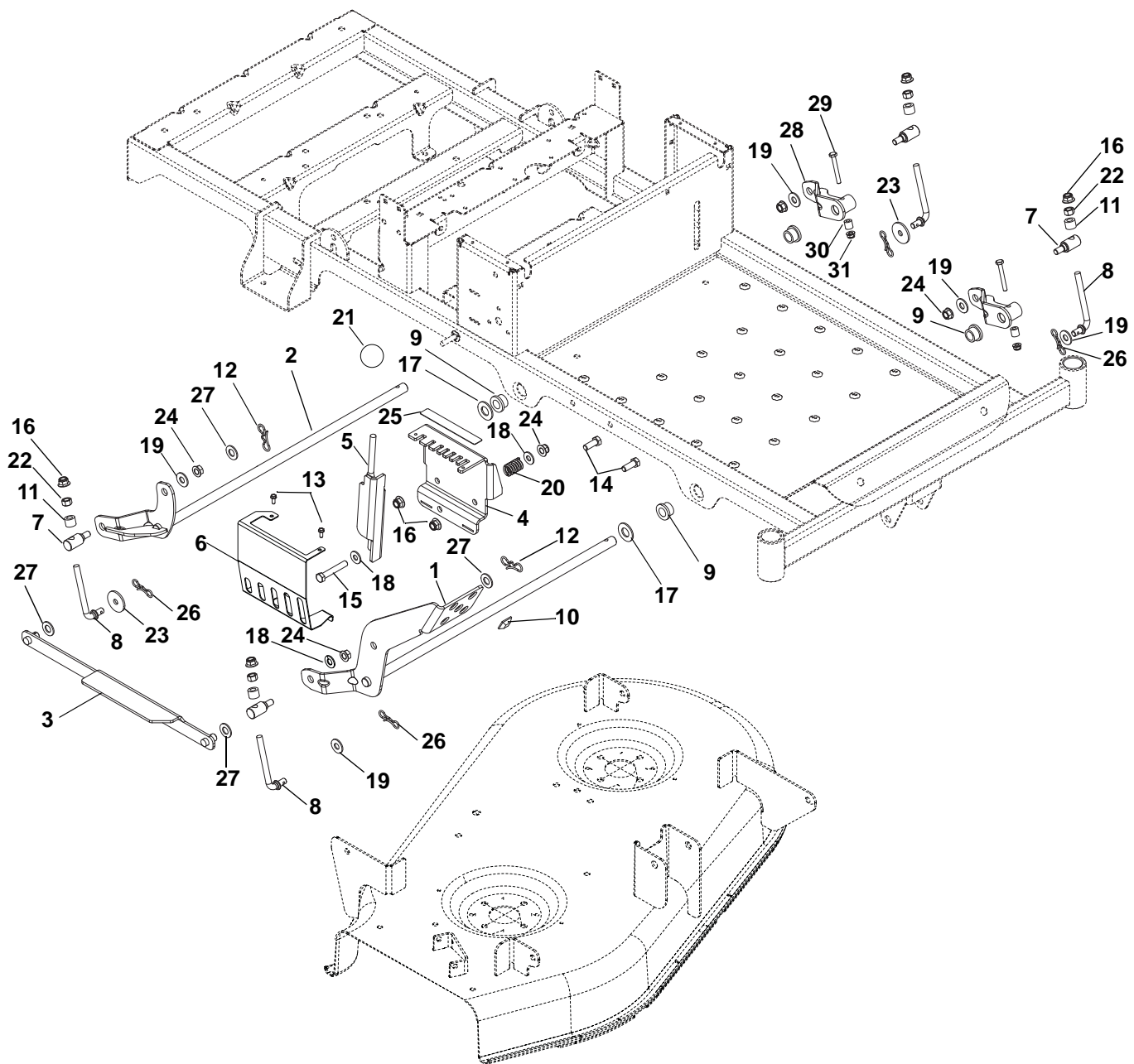


# NOTES

---

# MOWER DECK LIFT

Model All



# MOWER DECK LIFT

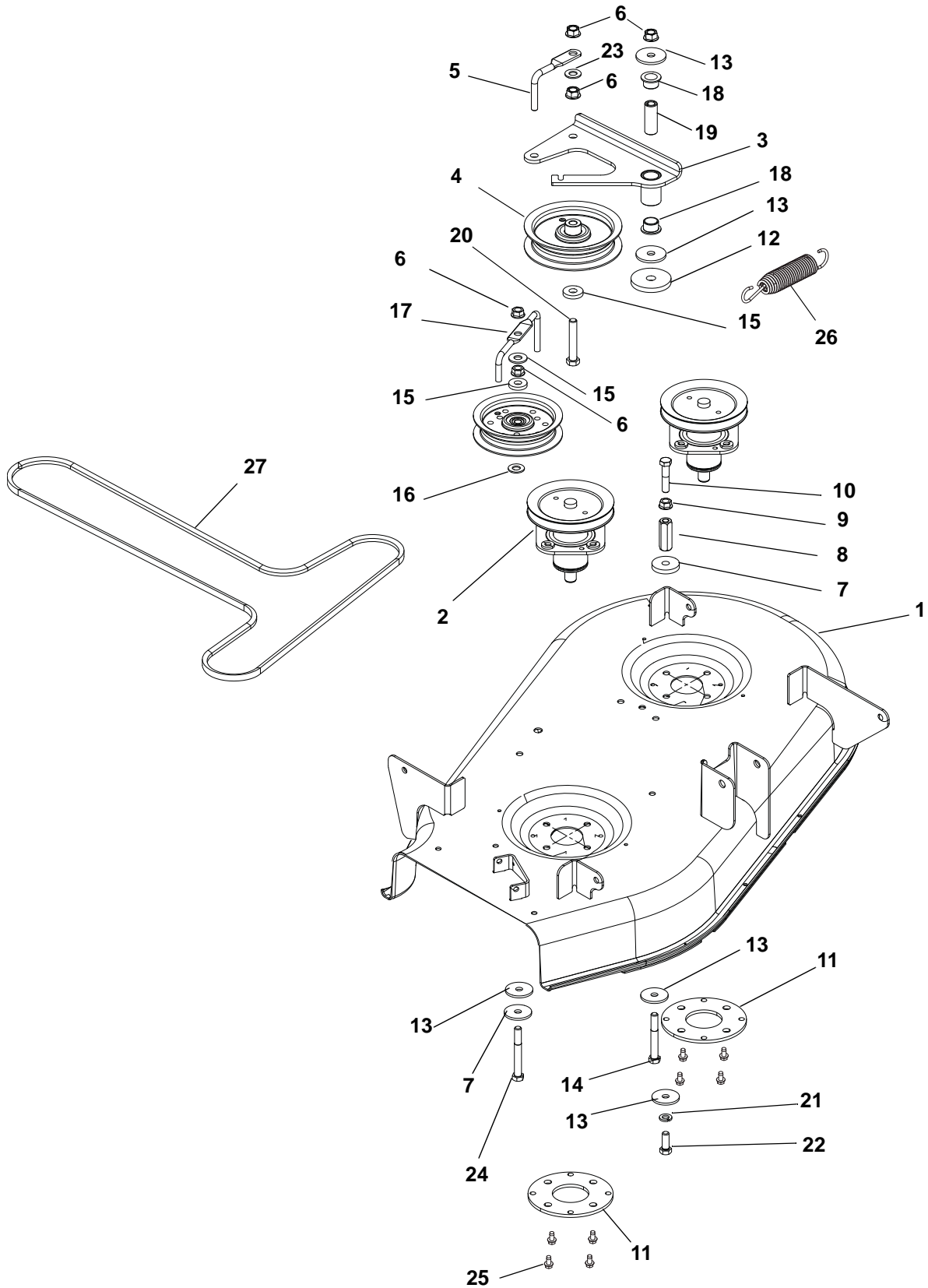
---

## Model All

Item	Part No.	Qty.	Description
1	04434567	1	Weldment, Footpedal
2	04434467	1	Weldment, Rear Deck Lift
3	04377367	1	Weldment, Lift/HOC Link
4	04377951	1	Plate, Height Adjustment
5	04391567	1	Weldment, Height of Cut
6	04723751	1	Guard, Deck HOC
7	04377867	4	Trunion, Deck Adjuster
8	04377767	4	Wireform, Deck Adjustment
9	05519100	4	Bushing, Flange .629 x .879 x .469 x 1.25
10	07525100	1	Stop
11	08553700	4	Bushing, Sleeve .391 x .688 x .52
12	06700201	2	Pin, Bow Tie Locking Cotter .091 x 1.875
13	07415800	2	Screw, Tapping, Hex Washer Head Rolling 10-24 x .50
14	05948700	2	Bolt, Hex .38-16 x 1.00
15	05962900	1	Bolt, Hex .38-16 x 2.25
16	06545500	7	Nut, Locking Nylon Flange .38-16
17	06442800	2	Washer, Flat Steel .656 x 1.31 x .095
18	06435700	3	Washer, Flat Steel .38 x .875 x .083
19	06436200	5	Washer, Flat Steel .438 x 1.00 x .083
20	08335700	1	Spring, Compression .125 x .781 x 1.25
21	07533500	1	Knob, Ball – Black 1.47" .375-16
22	06529400	4	Nut, Hex .38-16
23	06443400	2	Washer, Flat Steel .380 x 1.50 x .125
24	06542000	4	Nut, Locking Top Flange .38-16
25	07800334	1	Decal, Height of Cut
26	06700206	4	Pin, Bowtie Locking
27	06443300	4	Washer, Flat Nylon .518 x 1.00 x .08
28	04434667	2	Weldment, Deck Lift Arm
29	05967100	2	Bolt, Hex .25-20 x 2.00
30	05501112	2	Bushing, Sleeve .265 x .500 x .500
31	06500012	2	Nut, Locking Nylon Flange .25-20

# MOWER DECK, BELT AND IDLERS

Model 915211



# MOWER DECK, BELT AND IDLERS

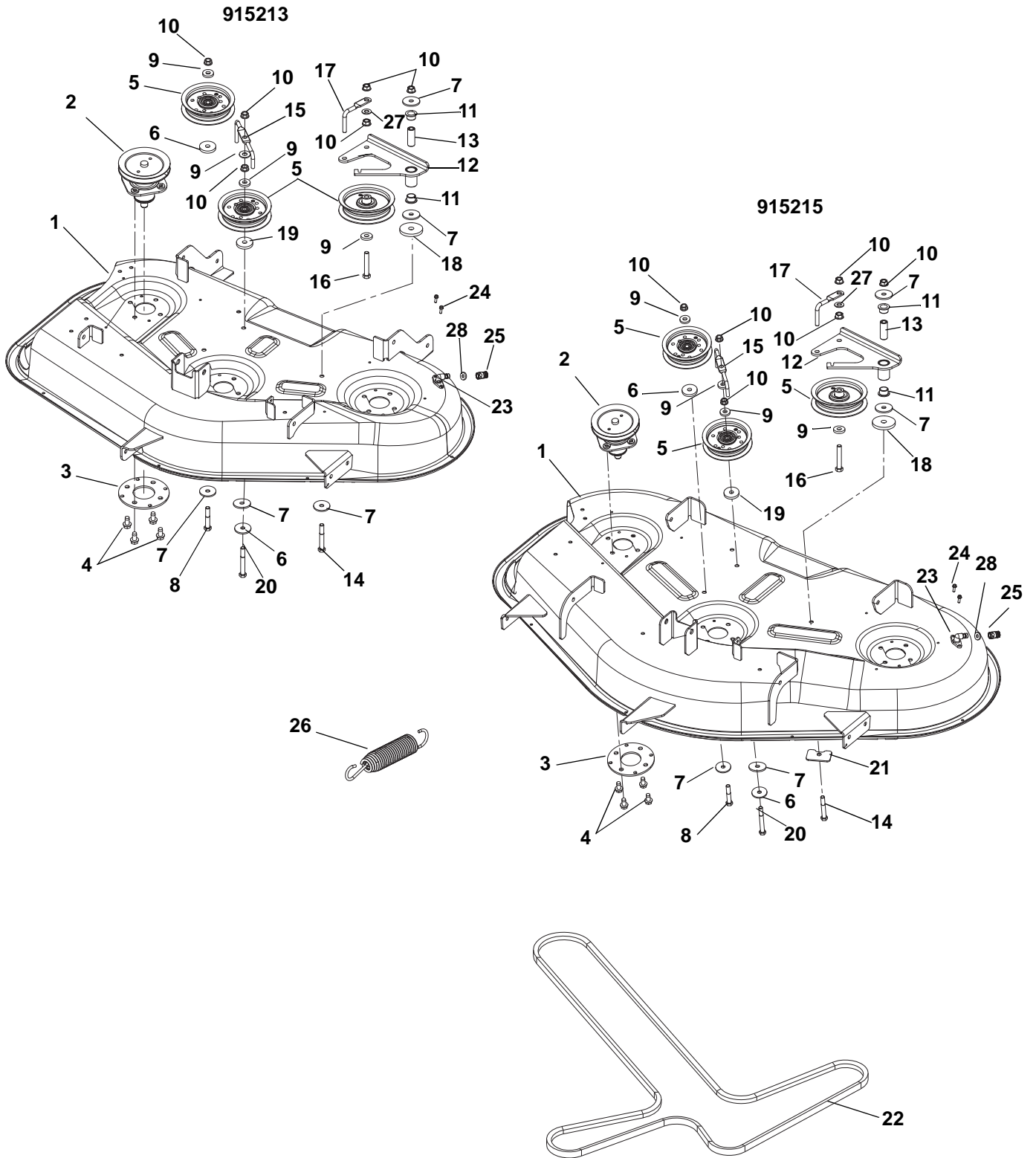
---

## Model 915211

Item	Part No.	Qty.	Description
1	51525400	1	Kit, Ariens 34" Deck with Decals
2	51519500	2	Assembly, Spindle
3	04430867	1	Weldment, Idler Arm
4	07300039	2	Assembly, Idler 4"
5	03828859	1	Wireform, Belt Finger
6	06542000	5	Nut, Locking Top Flange .38-16
7	06400006	2	Washer, Flat Steel .406 x 1.50 x .245
8	06533500	1	Nut, Coupling .375-16 x 1.75
9	06534900	1	Nut, Spin Lock, Flange .375-16
10	05958500	1	Bolt, Hex .38-16 x 1.75
11	03839059	2	Plate, REINF, Spindle
12	06443600	1	Washer, Flat Steel .469 x 2.00 x .25
13	06443400	5	Washer, Flat Steel .380 x 1.50 x .125
14	05957800	1	Bolt, Hex .38-16 x 3.00
15	06444000	3	Washer, Flat Steel .406 x 1.00 x .188
16	06435900	2	Washer, Flat Steel .438 x 1.00 x .083
17	03974159	1	Belt Finger
18	05500907	2	Bushing, Flange, .625 x .750 x .500 x 1.00
19	03763400	1	Spacer, .375ID x .625D x 1.66 Promaster
20	05962900	1	Bolt, Hex .38-16 x 2.25
21	06308800	1	Washer, Locking .38 x .094 Regular
22	05948700	1	Bolt, Hex .38-16 x 1.00
23	06436200	1	Washer, Flat Steel .406 x .812 x .065
24	05961400	1	Bolt, Hex .38-16 x 2.75
25	07415400	8	Screw, Tapping .38-16 x .75 Hex Washer Head Thread Rolling
26	08320300	1	Spring, Tension .135 x .98 x 6.0
27	07200116	1	V-Belt, HA-Wrapped Clutching

# MOWER DECK, BELT AND IDLERS

Model 915213, 215



# MOWER DECK, BELT AND IDLERS

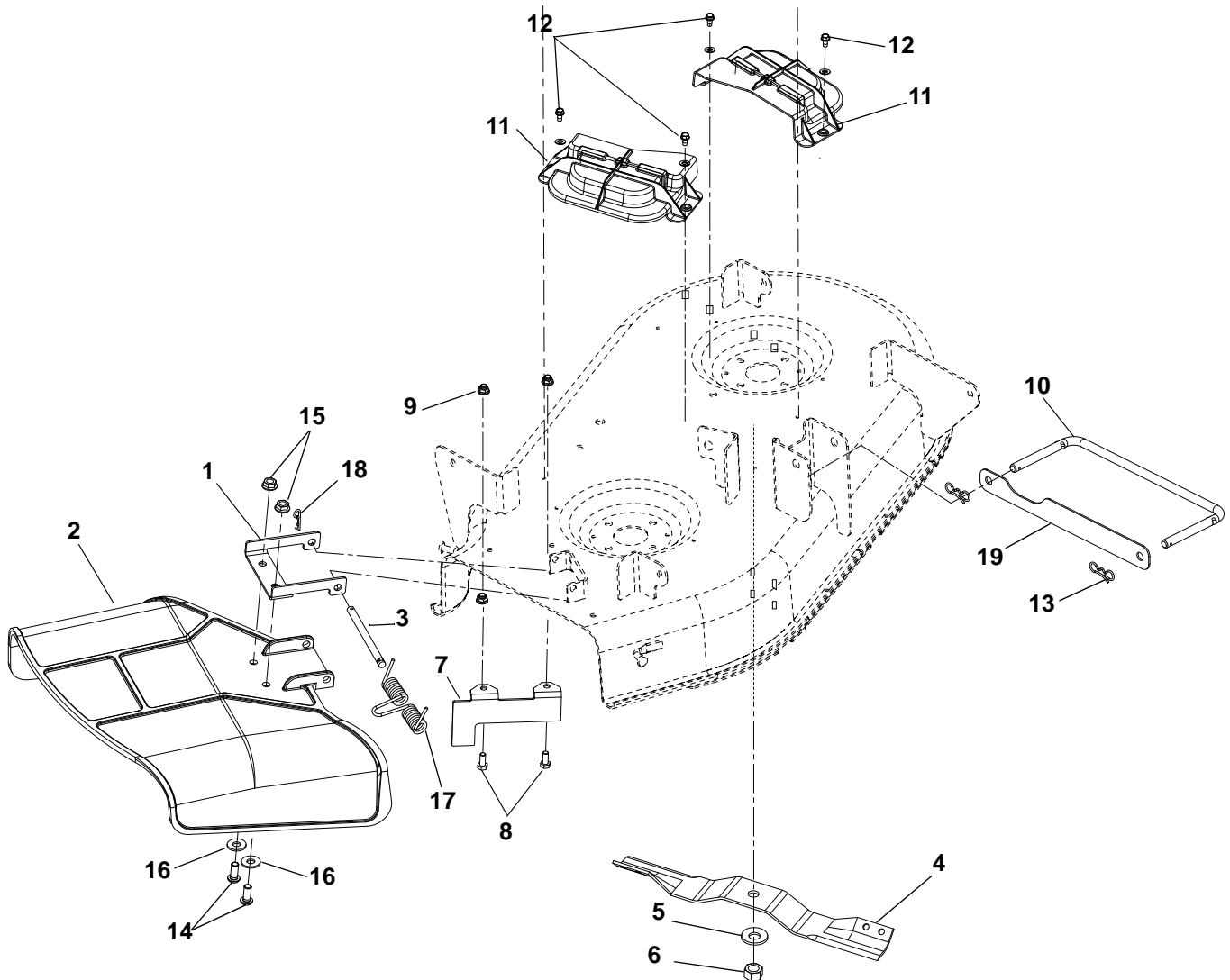
---

## Model 915213, 215

Item	Part No.	Qty.	Description
1	51526300	1	Kit, Ariens 42" Deck with Decals (915213)
	51525000	1	Kit, Ariens 50" Deck with Decals (915215)
2	51520900	3	Assembly, Spindle (915213)
	51519500	3	Assembly, Spindle (915215)
3	03839059	3	Plate, Spindle
4	07415400	12	Screw, Tapping .38-16 x .75 Hex Washer Head
5	07300039	3	Assembly, Idler 4"
6	06400006	2	Washer, Flat Steel .406 x 1.50 x .245
7	06443400	5	Washer, Flat Steel .380 x 1.50 x .125 (915213)
	06443400	4	Washer, Flat Steel .380 x 1.50 x .125 (915215)
8	05962900	1	Bolt, Hex .38-16 x 2.25
9	06444000	4	Washer, Flat Steel .406 x 1.00 x .188
10	06542000	6	Nut, Locking Top Flange .38-16
11	05500907	2	Bushing, Flange, .625 x .750 x .500 x 1.00
12	04430867	1	Idler Arm
13	03763400	1	Spacer, .375ID x .625 OD x 1.66
14	05957800	1	Bolt, Hex .38-16 x 3.00
15	03974159	1	Belt Finger
16	05962900	1	Bolt, Hex .38-16 x 2.25
17	03828859	1	Wireform Belt Finger
18	06443600	1	Washer, Flat Steel .469 x 2.00 x .25
19	06435900	1	Washer, Flat Steel .438 x 1.00 x .083
20	05961400	1	Bolt, Hex .38-16 x 2.75
21	04061059	1	Plate, Deck (915215)
22	07200523	1	V-Belt, 4L Wrapped (915213)
	07200524	1	V-Belt, 4L Wrapped (915215)
23	04428900	1	Assy, Washout Port W/O Ring
24	07400103	2	Screw, Tapping .25-20 x .62 Hex Washer Head Thread Rolling
25	04396500	1	Coupling, Quick Disconnect
26	08320300	1	Extension Spring .135 x .98 x 6.0
27	06436200	1	Washer, Flat Steel .406 x .812 x .065
28	05600513	1	O-Ring .362 X .103 X .568

# BELT COVERS AND BLADES

## Model 915211



Item	Part No.	Qty.	Description
1	00662659	1	Chute Reinforcement
2	03994300	1	Molded Chute
3	06800002	1	Pin, 5/16 x 3.88"
4	03971900	2	Blade, Mower 17.35
5	06445700	2	Washer, Beveled .63 x 1.625 x .14
6	06500630	2	Nut, Hex .62-18
7	03779259	1	Bracket, Baffle Discharge 34"
8	05947000	2	Bolt, Hex .31-18 x .75
9	06545400	2	Nut, .31-18 Nyloc Flange
10	04377667	1	Wireform, Drag Link
11	04323800	2	Molded Cover, Belt
12	07400034	4	Screw, Tapping .25-20 x .50 Hex Washer Head
13	06700201	2	Pin, Bow Tie Locking Cotter .091 x 1.875
14	05920900	2	Screw, .31-18 x .75
15	06543100	2	Nut, Locking Top Flange .31-18
16	06435700	2	Washer, Flat Steel .38 x .875 x .083
17	01258100	1	Spring, Torsion
18	06713500	1	Pin, Hair .08 x .18 x 1.18
19	04424951	1	Strap, Drag Link

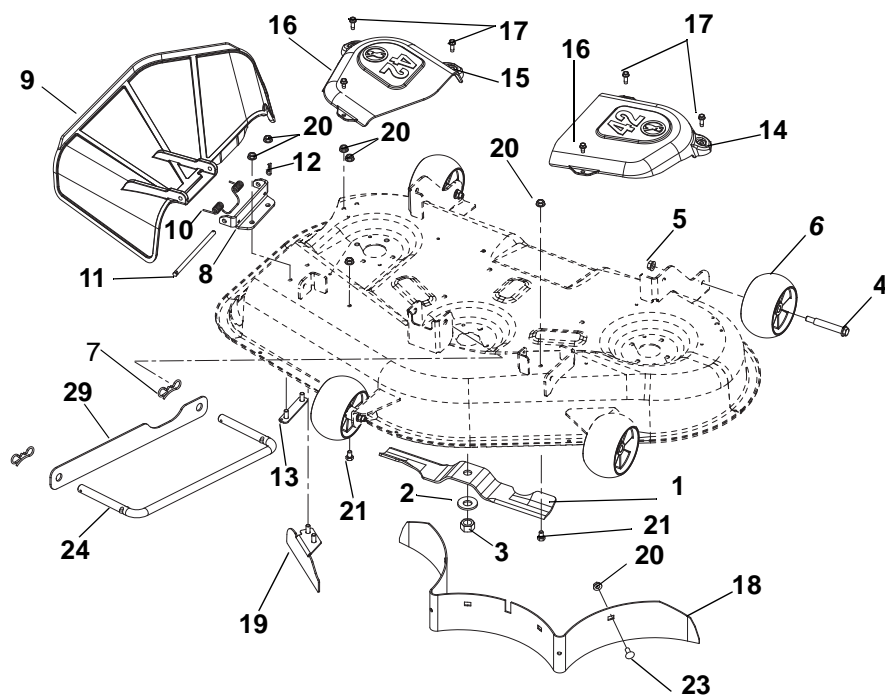


# NOTES

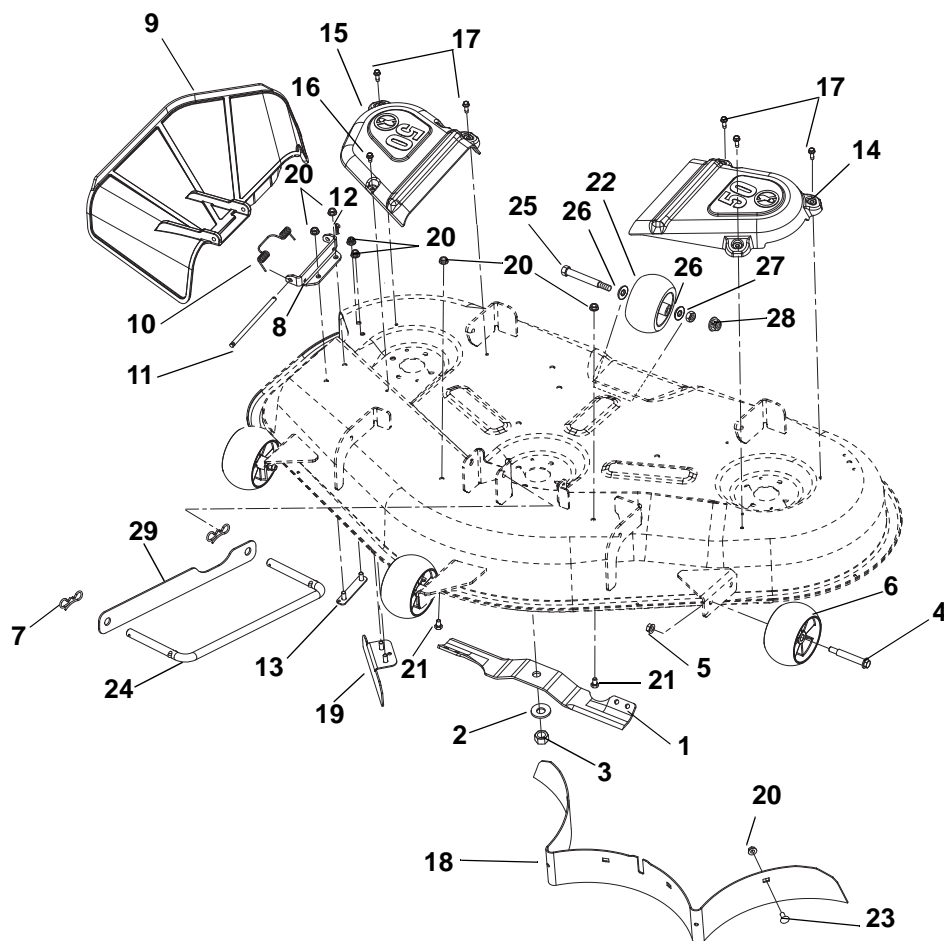
---

# BELT COVERS AND BLADES

Model 915213, 215



915213



915215

# BELT COVERS AND BLADES

---

## Model 915213, 215

Item	Part No.	Qty.	Description
1	04265400	3	Mower Blade, 14.83" (915213)
	03971900	3	Blade, Mower 17.35" (915215)
2	06445700	3	Washer, Bellville .63 x 1.625 x .14
3	06500630	3	Nut, Hex .62-18
4	07056800	3	Bolt, Shoulder .38-16 x 2.50 Hex Washer Head
5	06542000	3	Nut, Locking Top Flange .38-16
6	03905600	4	Anti-Scalp Wheel, 5 x 3 OS (915213)
	03905600	3	Anti-Scalp Wheel, 5 x 3 OS (915215)
7	06700201	2	Pin, Bow Tie Locking Cotter .091 x 1.875
8	04073059	1	Bracket, Discharge Chute Mount 42" (915213)
	04443159	1	Bracket, Discharge Chute Mount 50" (915215)
9	04375900	1	Discharge Chute – Molded
10	08300515	1	Spring, Torsion
11	00475800	1	Pin, 5/16 x 5.80"
12	06713500	1	Pin, Hair Internal .08 x .18 x 1.18
13	03977400	1	Weldment, Discharge Chute MT. Strap
14	03902200	1	Belt Cover, Left Hand 42" (915213)
	03901900	1	Belt Cover, Left Hand 50" (915215)
15	03902100	1	Belt Cover, Right Hand 42" (915213)
	03901800	1	Belt Cover, Right Hand 50" (915215)
16	07400034	2	Screw, Tapping .25-20 x .50 Hex Washer Head (915213)
	07400034	1	Screw, Tapping .25-20 x .50 Hex Washer Head (915215)
17	07414200	4	Screw, Tapping .25-20 x .75 Hex Washer Head (915213)
	07414200	5	Screw, Tapping .25-20 x .75 Hex Washer Head (915215)
18	03957859	1	Baffle, 42 Rear (915213)
	04069059	1	Baffle, 50 Rear (915215)
19	04395459	1	Weldment – Baffle, Discharge 42" (915213)
	03955959	1	Baffle, 50" Deflector (915215)
20	06543100	10	Nut, Locking Top Flange .31-18
21	05947200	2	Bolt, Hex .31-18 x .50
22	02745400	1	Roller (915215)
23	06220800	1	Bolt, Round Head Square Neck .31-18 x .75
24	04377667	2	Wireform, Drag Link
25	05960900	2	Bolt, Hex .38-16 x 3.50
26	06436200	2	Washer, Flat Steel .406 x .812 x .065 (915215)
27	06537200	2	Nut, Locking Center Jam .375-16 (915215)
28	06545500	1	Nut, Locking Nylon Flange .38-16 (915215)
29	04424951	1	Strap, Drag Link



Ariens  
655 West Ryan Street  
Brillion, WI 54110  
920-756-4688  
Fax 920-756-2407  
[www.ariens.com](http://www.ariens.com)  
[www.ariens.eu](http://www.ariens.eu)  
[www.ariens.com.au](http://www.ariens.com.au)

An *Ariens* Company Brand