

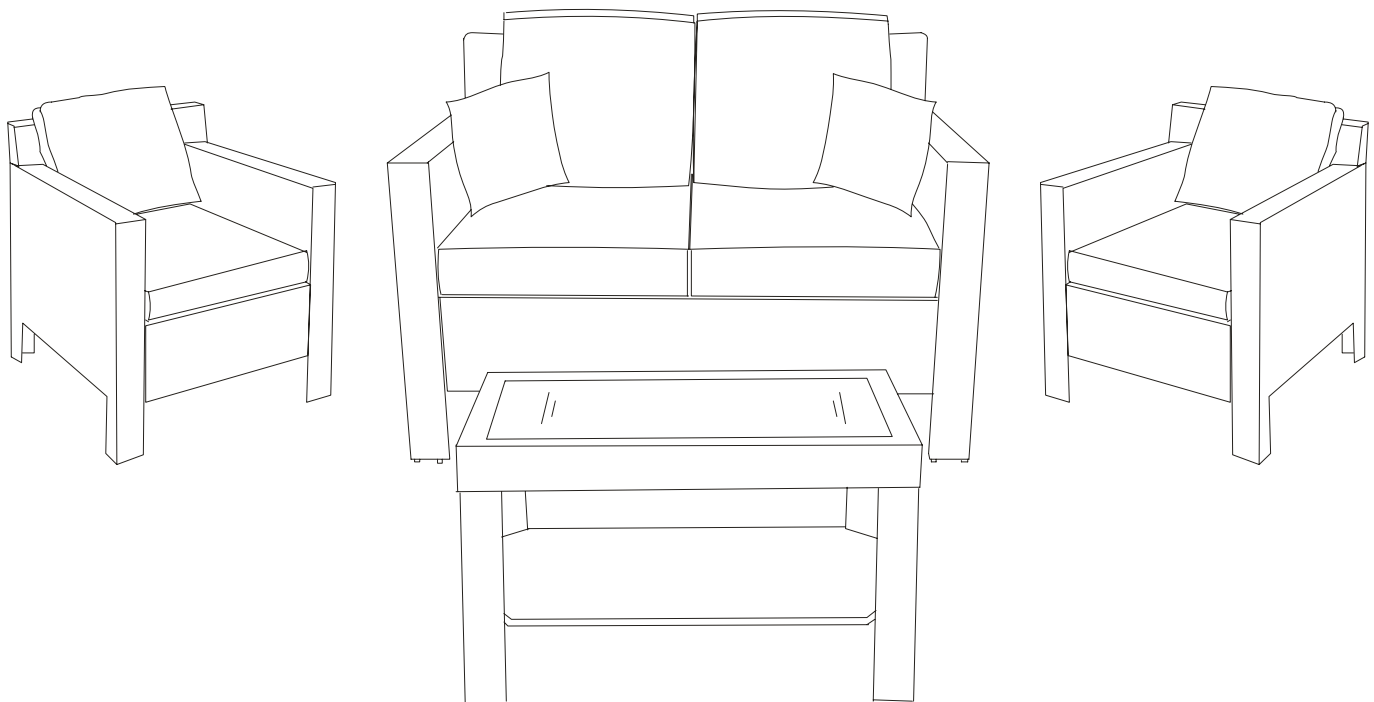


Item #  
Model #

# USE AND CARE GUIDE

---

## BEVERLY DEEP SEATING 4-PIECE SET



Questions, problems, missing parts? Before returning to the store,  
call Hampton Bay Customer Service  
8 a.m. - 6 p.m., EST, Monday-Friday

**1-855-HD-HAMPTON**

**HAMPTONBAY.COM**

---

### THANK YOU

*We appreciate the trust and confidence you have placed in Hampton Bay through the purchase of this 4-piece set. We strive to continually create quality products designed to enhance your home. Visit us online to see our full line of products available for your home improvement needs. Thank you for choosing Hampton Bay!*

# Table of Contents

Table of Contents.....	2	Pre-assembly .....	3
Safety Information.....	2	Planning Assembly.....	3
Set Up Your Furniture Properly .....	2	Hardware Included.....	3
Examine Your Furniture .....	2	Package Contents .....	4,5,6
Observe Weight Limits .....	2	Assembly .....	7,8,9
Warranty.....	2	Care and Cleaning .....	10
What is Covered.....	2		
What is Not Covered .....	2		

## Safety Information

### SET UP YOUR FURNITURE PROPERLY

- Ensure that all parts are assembled properly and fully tightened as per the instructions.
- When placing in the desired location, ensure that all legs are resting on the same surface. You may adjust the legs levelers as required to ensure that the item stands in a rigid position.

### EXAMINE YOUR FURNITURE

- Examine occasionally to ensure that there are no loose parts. If loose parts are found, they must be re-tightened fully before additional use.

### OBSERVE WEIGHT LIMITS

The weight limits for the following products are listed below:

- Rocking Chair: 200 lbs
- Chair: 300 lbs
- Swivel Chair: 300 lbs
- Loveseat: 500 lbs
- Ottoman: 150 lbs
- Table: 50 lbs



**CAUTION:** If you overload your furniture, injuries can occur.

## Warranty

### 1 YEAR WARRANTY FOR FRAME, RESIN WEAVE, AND CUSHIONS

#### WHAT IS COVERED

We warrant to the original purchaser for one year, from the date of purchase, that the frame, resin weave and cushions will be free from manufacturing defects. This warranty also covers peeling, crackling, blistering, discoloration, or fading for this one year period.

#### WHAT IS NOT COVERED

It remains the customer's responsibility for freight and packaging charges to and from our service center. This warranty does not cover commercial use, acts of nature, fire, freezing, and abusive use. Discoloration or fading of the finish or fabrics as a result of chemicals or spills is not covered. Glass tabletop breakage and corrosion or rusting of hardware are not covered. In addition, purchased parts are not covered under this warranty. Proof of purchase (dated register receipt) is required for warranty claims. We reserve the right to make substitutions with similar merchandise, if the model is no longer in production. Warranty is to the original purchaser and is not-transferable. As some states do not allow exclusions or limitations on an implied warranty, the above exclusions and limitations may not apply. This warranty gives you specific rights, and you may also have other rights, which vary from state to state.

Contact the Customer Service Team at 1-855-HD-HAMPTON or visit [HAMPTONBAY.COM](http://HAMPTONBAY.COM).

# Pre-Assembly (continued)

## PLANNING ASSEMBLY

To prevent damage, place all parts on a soft surface during assembly. Remove all protective caps before beginning assembly.

## HARDWARE INCLUDED



**NOTE:** Hardware not shown to actual size.



AA



BB



CC



DD



EE



FF



GG

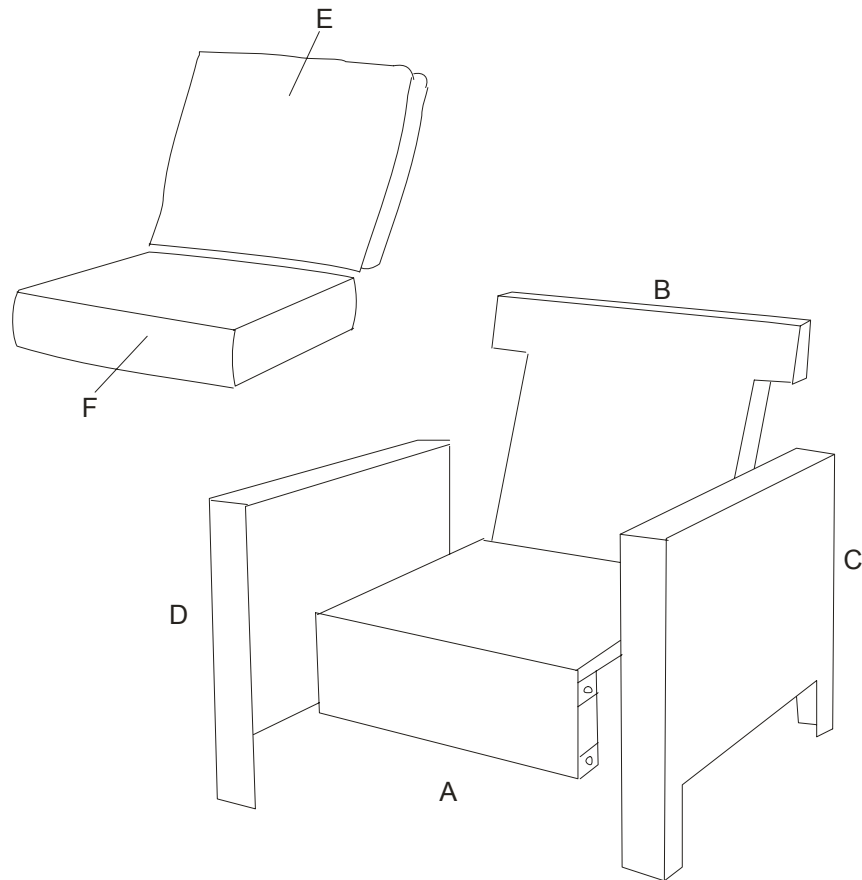


HH

Part	Description		Quantity
AA	Locking nuts	φ 8 mm	30
BB	Washers	φ 8 mm	34
CC	Nut caps	φ 8 mm	30
DD	Bolts	φ 8x12 mm	4
EE	Long bolts	φ 8x16 mm	4
FF	Bolt caps	φ 8 mm	4
GG	Hex wrench	5 mm	1
HH	Wrench	#13	1

# Pre-Assembly (continued)

## PACKAGE CONTENTS (CHAIR)

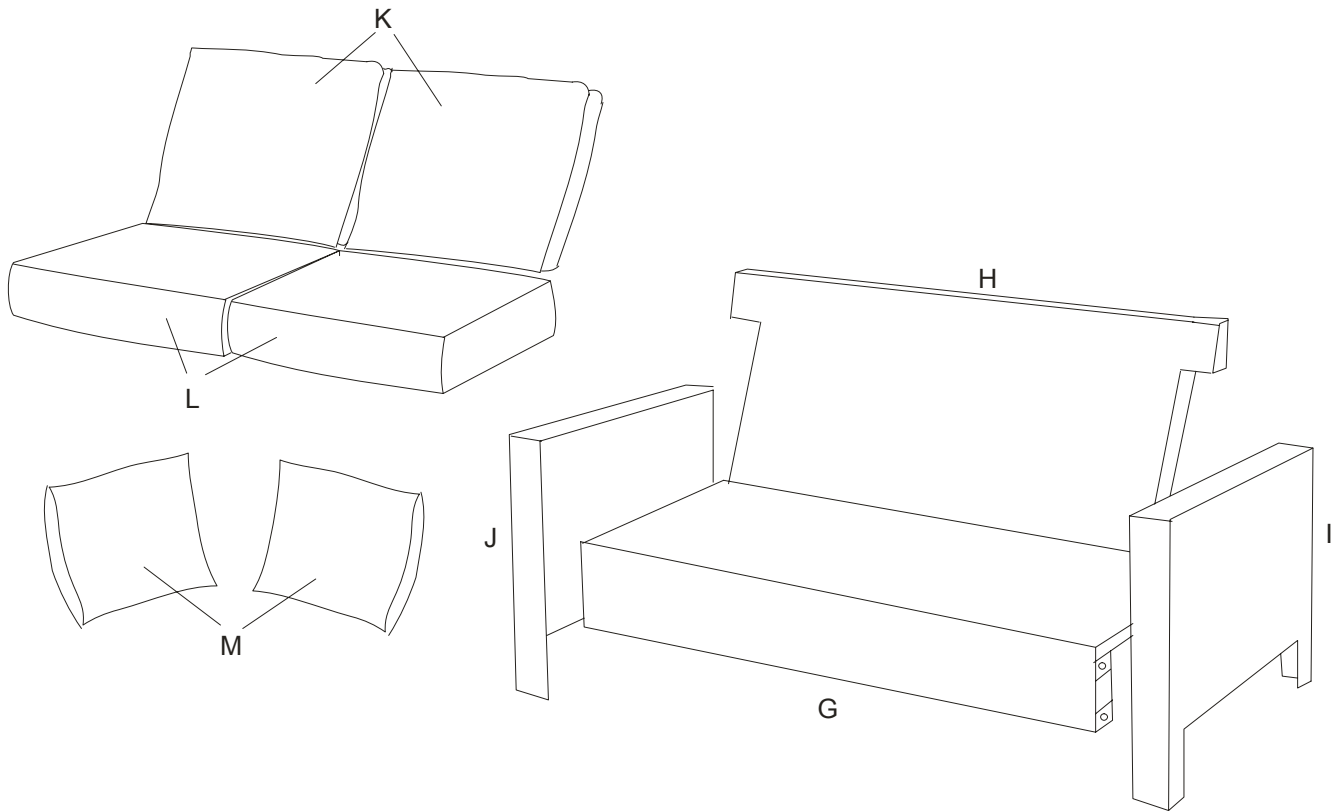


Part	Description	Quantity
A	Seat	1
B	Back	1
C	Left Arm	1
D	Right Arm	1
E	Back Cushion	1
F	Seat Cushion	1



# Pre-Assembly (continued)

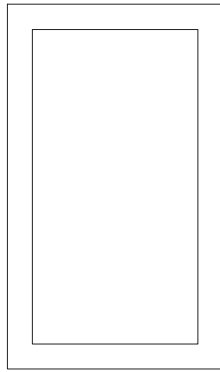
## PACKAGE CONTENTS (LOVESEAT)



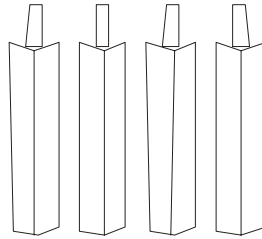
Part	Description	Quantity
G	Seat	1
H	Back	1
I	Left Arm	1
J	Right Arm	1
K	Back Cushions	2
L	Seat Cushions	2
M	Pillows	2

# Pre-Assembly (continued)

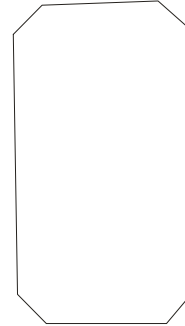
## PACKAGE CONTENTS (COFFEE TABLE)



N



O



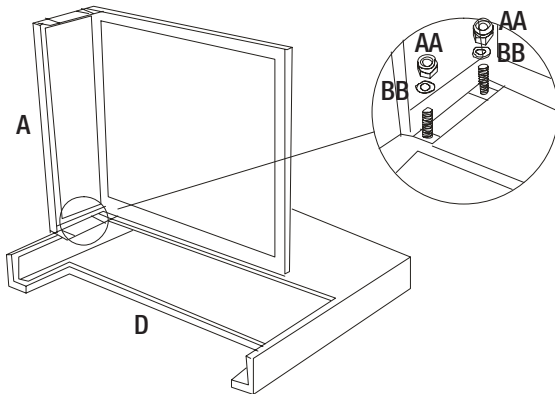
P

Part	Description	Quantity
N	Table top	1
O	Legs	4
P	Shelf	1

# Chair Assembly

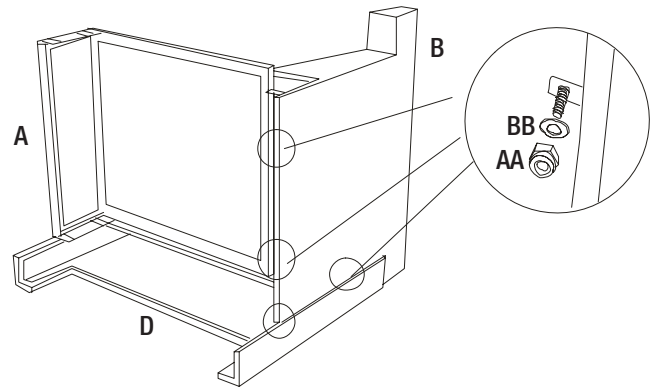
## 1 Attaching the right arm to the seat

- Place the right arm (D) on a soft surface.
- Place the seat (A) over the two bolts on the right arm (D).
- Fasten with washers (BB) and locking nuts (AA) and hand-tighten.



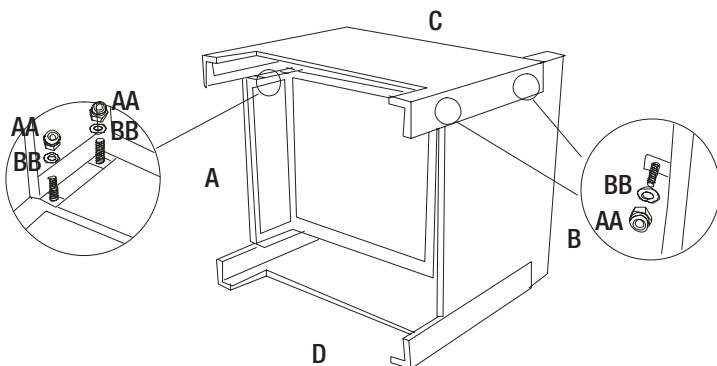
## 2 Attaching the back

- Place the back (B) onto the two bolts on the right arm (D) and two bolts on the seat (A).
- Fasten with washers (BB) and locking nuts (AA) and hand-tighten.



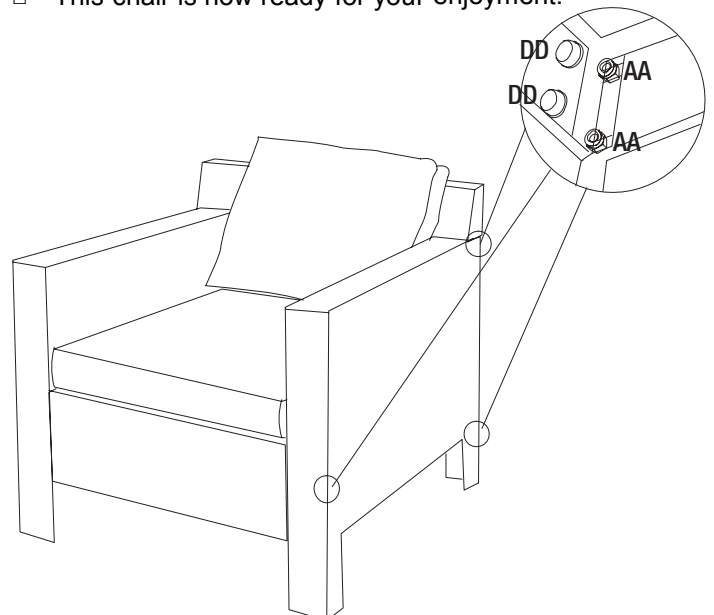
## 3 Attaching the left arm

- Repeat steps 1 and 2 to attach the left arm (C).



## 4 Adding the caps

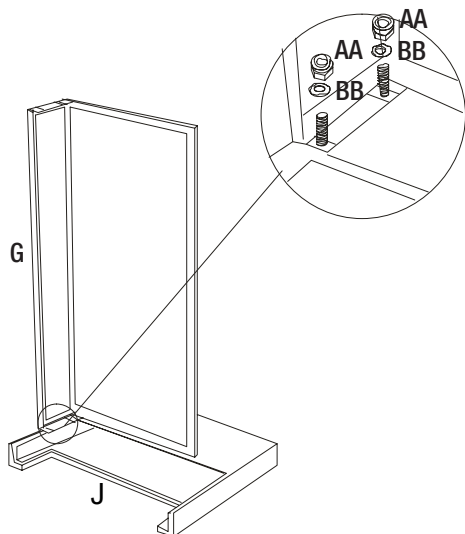
- Check and make adjustment as needed.
- Fully tighten all the nuts (AA) with the wrench (HH) and cover with the nut caps (CC).
- Place the seat cushion (F) and back cushion (E) on the chair.
- This chair is now ready for your enjoyment.



# Loveseat Assembly

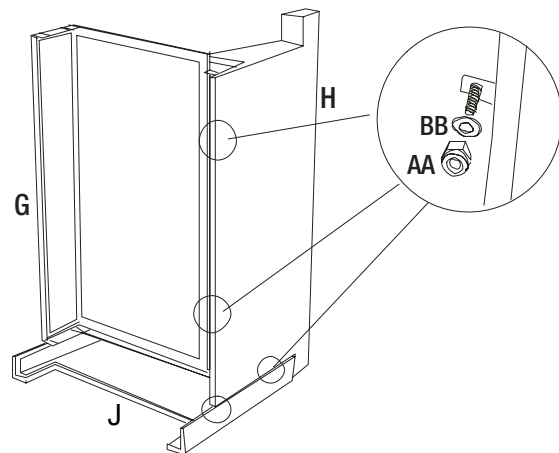
## 1 Attaching the right arm to the seat

- Place the right arm (J) on a soft surface.
- Place the seat (G) over the two bolts on the right arm (J).
- Fasten with washers (BB) and locking nuts (AA) and hand-tighten.



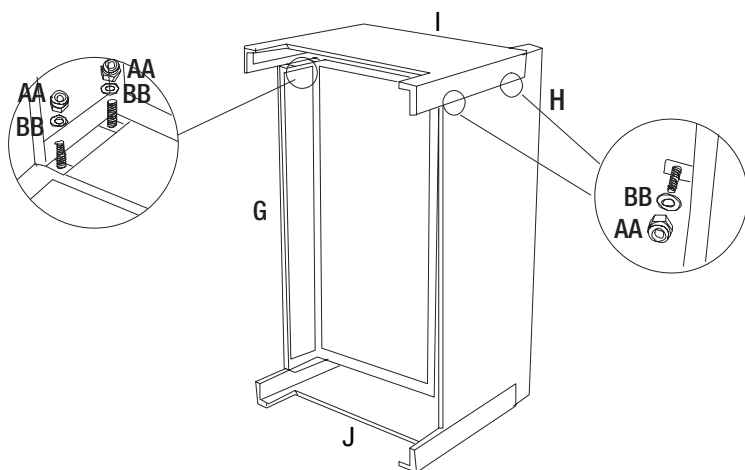
## 2 Attaching the back

- Place the back (H) onto the two bolts on the right arm (J) and two bolts on the seat (G).
- Fasten with washers (BB) and locking nuts (AA) and hand-tighten.



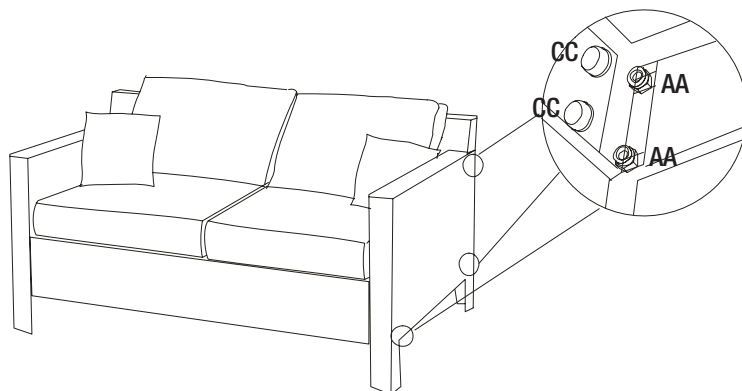
## 3 Attaching the left arm

- Repeat steps 1 and 2 to attach the left arm (I).



## 4 Adding the caps

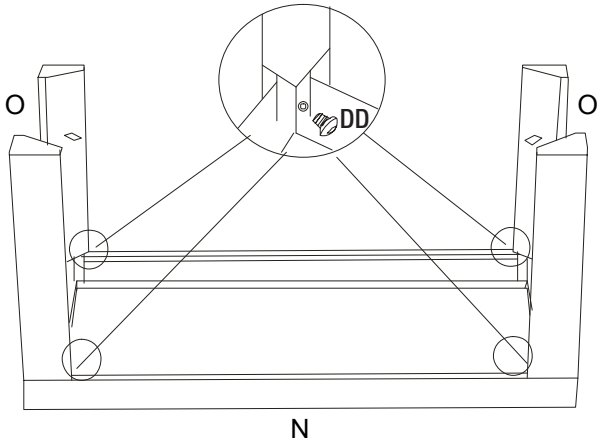
- Check and make adjustment as needed.
- Fully tighten all the nuts (AA) with the wrench (HH) and cover with the nut caps (CC).
- Place the seat cushions (L), back cushions (K) and Pillows (M) on the loveseat.
- This loveseat is now ready for your enjoyment.



# Table Assembly

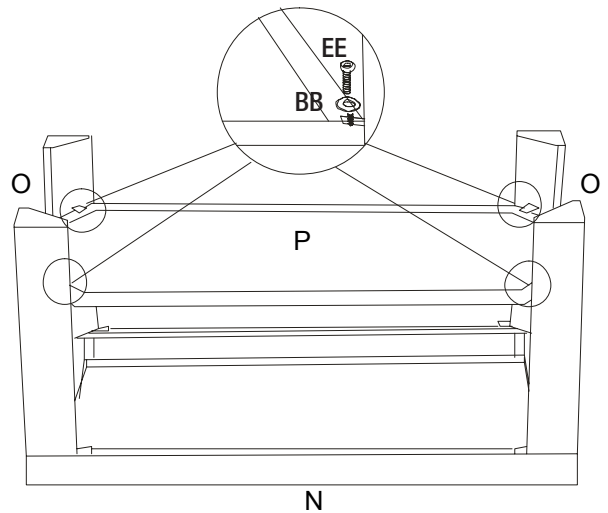
## 1 Attaching the legs to the top

- Place the top (N) on a soft surface.
- Place the metal side of the legs (O) into the four holes of the top (N). The legs must be inserted as this image shows.
- Fasten with bolts (DD) and hand-tighten.



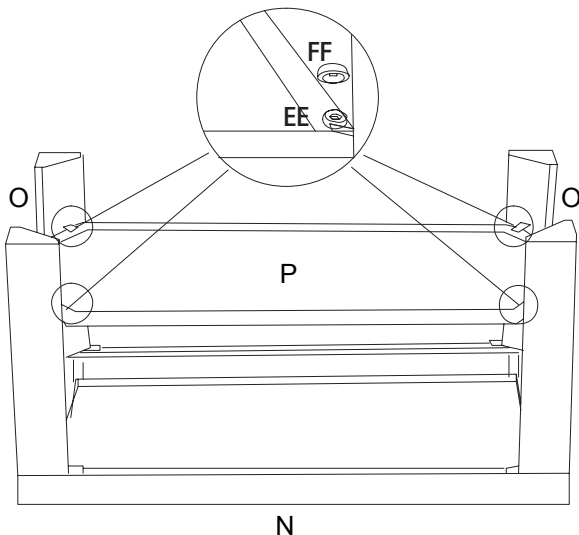
## 2 Attaching the shelf to the legs

- Attach the legs (O) and the shelf (P) together.
- Fasten with bolts (EE) and washers (BB) and hand-tighten.



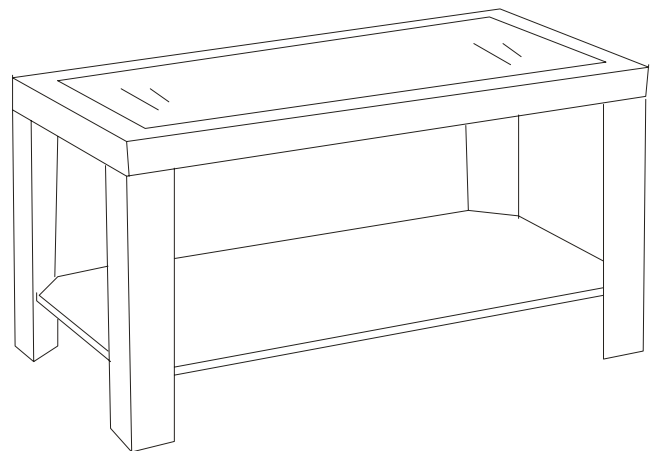
## 3 Adding the caps

- Check and make adjustments as needed.
- Fully tighten all the bolts (DD) with the hex wrench (GG).
- Fully tighten all the long bolts (EE) with the hex wrench (GG) and cover with the bolt caps (FF).
- Adjust the leg levelers as required.



## 4 Completing the assembly

- Place the table right side up.
- This table is now ready for your enjoyment.



## Care and Cleaning

---

- Wash the frame with a mild solution of soap and water, rinse with clean water, and dry thoroughly.
- If your set includes cushions or mesh fabrics, you may Scotchguard them to protect them from the elements. Cushions may also be cleaned by hand with a mild solution of soap and water. Rinse the cushion cover thoroughly and allow to drip dry. The back cushion and pillow should be spot cleaned with a soft cloth. Do not machine wash or tumble dry, as the cushions may shrink. Do not use bleach or solvents on fabrics. Never use cleaners that contain acid or abrasive materials.



Questions, problems, missing parts? Before returning to the store,  
call Hampton Bay Customer Service  
8 a.m. - 6 p.m., EST, Monday-Friday

**1-855-HD-HAMPTON**

**HAMPTONBAY.COM**

Retain this manual for future use.