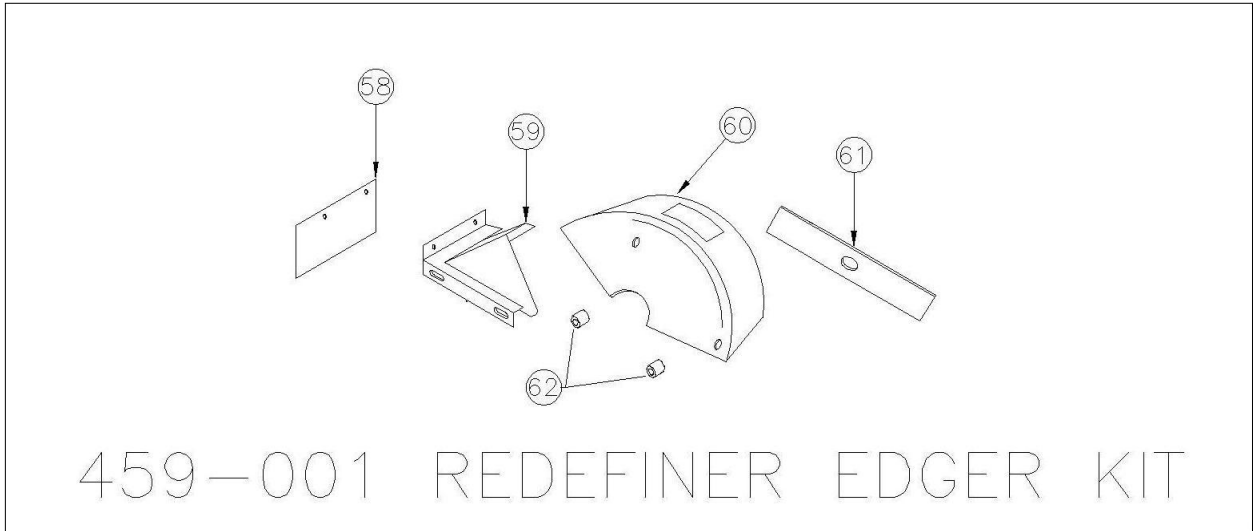
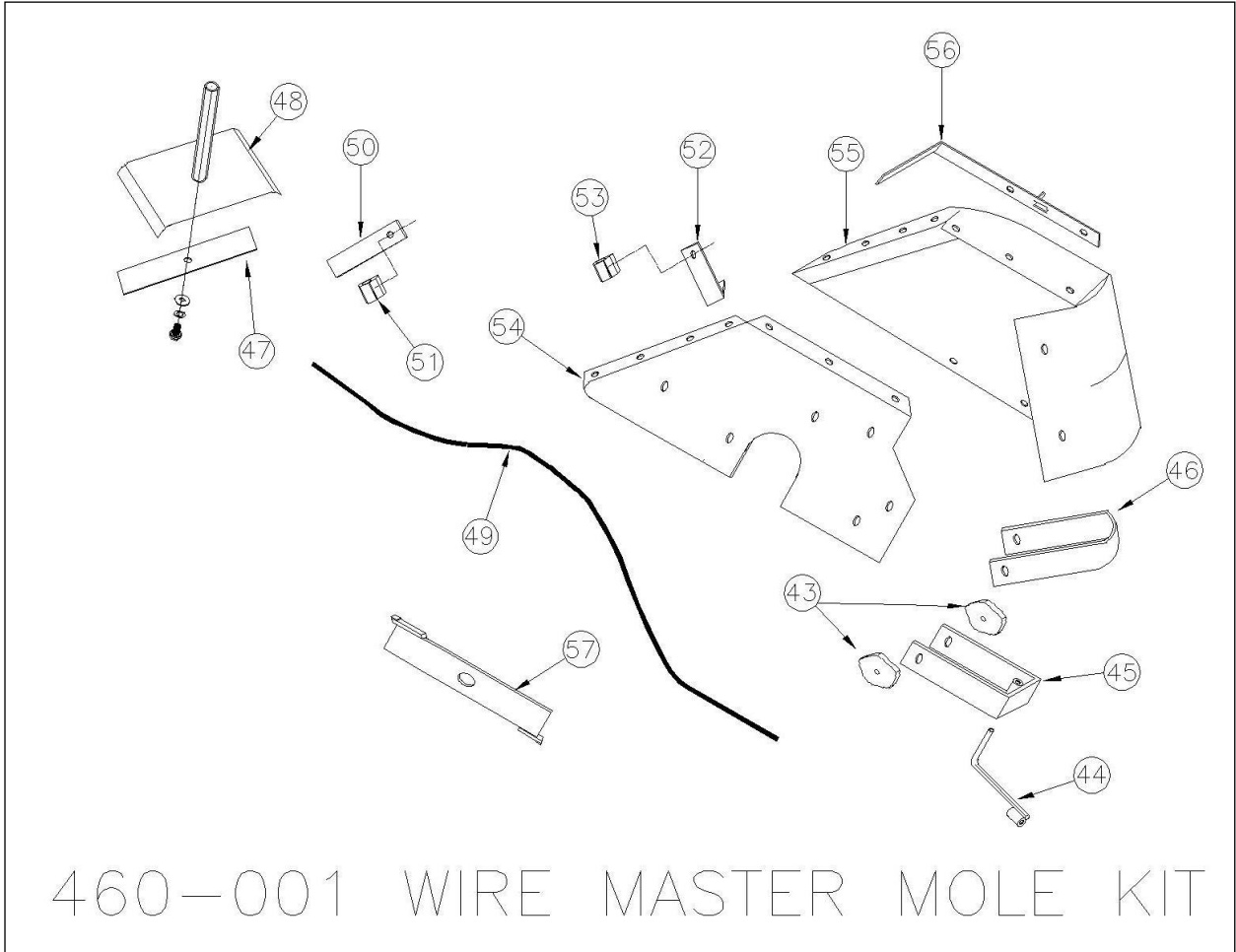


WireMaster Mole Kit 460-001 Parts List

Ref #	Part #	Description	# Req'd
43	460-503	Knob, Up/Down Adjustment	
44	460-007	Rod, Ground	1
45	460-008	Bracket, Front, Up-Down	1
46	460-004	Bracket, Drape Retainer	1
47	460-010	Clamp, Wire Spool Bracket	1
48	460-013	Bracket, Wire Spool Mount	1
49	460-014	Tube, Wire Conduit, PEX	1
50	702-78	Strap	1
51	460-505	Clip, 10mm	1
52	460-009	Bracket, Pex, Tube	1
53	460-504	Clip, 12 mm	1
54	460-252	Hood, Back Plate	1
55	460-501	Drape, Hood	1
56	460-251	Brace, Outside	1
57	460-002	Rotor, WireMaster	1
54 & 55	460-015	Assembly, Hood with Drape	1

ReDefiner Edger Kit 459-001 Parts List

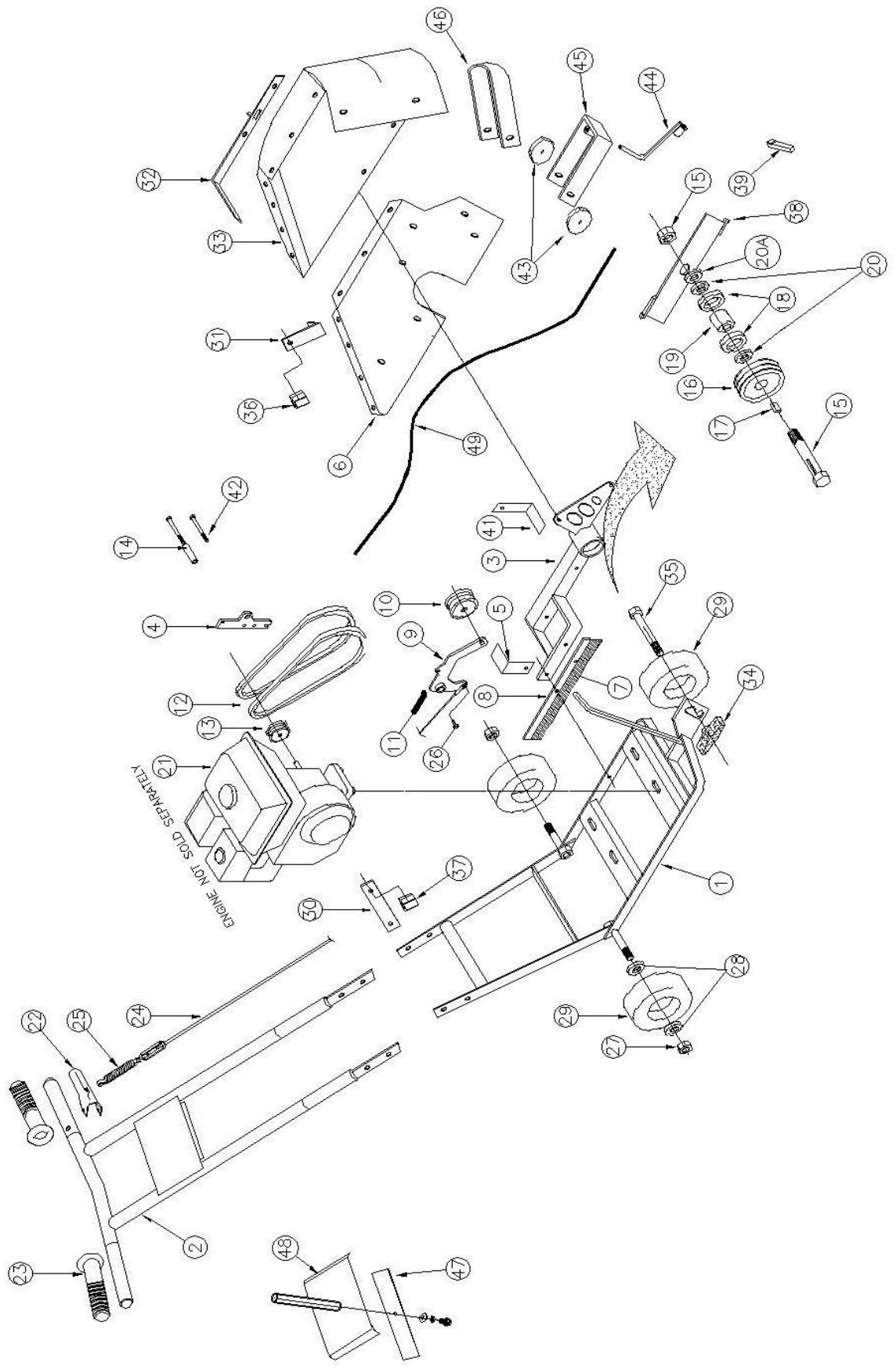
Ref #	Part #	Description	# Req'd
58	E-200-025	Flap, Rubber	1
59	459-004	Extension, Blade Guard	1
60	459-003	Guard, Blade	1
61	459-002	Blade, 10 inch	1
62	459-005	Spacer, Blade Guard	2



WireMaster Mole Model R460HA

Parts List

Ref #	Part #	Description	# Req'd
1	450-001	Frame	1
2	450-002	Handlebar	1
3	450-003	Assembly, Rotor Arm with Bearings & Spacer	1
4	450-251	Bracket, Idler Arm	1
5	450-024	Stop, Belt, Engine Pulley	1
6	460-252	Hood, Back Plate	1
7	450-752	Brush	1
8	450-503	Channel, Brush	1
9	991-05	Arm, Idler	1
10	12-22-2A	Pulley, Double Idler	1
11	991-06	Spring, Idler Arm Return	1
12	780-30	Belt, 31" Kevlar, Model R450H Only, 3.5" O.D. Pulley	2
12	450-767	Belt, 33" Kevlar, Model R450HA Only, 4.5" O.D. Pulley	2
13	701-02-2	Pulley, Engine	1
14	230-0002	Stop, Belt	1
15	450-502	Spindle, Rotor w/Nut	1
16	450-501	Pulley, Double Rotor, Model R450H Only, 3.5" O.D.	1
16	450-768	Pulley, Double Rotor, Model R450HA Only, 4.5" O.D.	1
17	450-758	Key, 3/16" x 3/16" x 3/4" Long, Rotor Pulley	1
18	450-751	Bearing, Rotor	2
19	450-004	Bearing, Spacer	1
20	450-765	Washer, 3/4" SAE Rotor Spindle (against each bearing)	2
20A	450-766	Flatwasher, 3/4" (against back of rotor)	1
21	Not Sold Separately	Engine, Honda GX160	1
22	450-259	Clutch Lever, Over Center	1
22	450-504	Lever, Clutch, Black	1
23	701-25	Grip, Handle	2
24	450-770	Cable, Clutch, For over Center Handle	1
24	450-754	Cable, Clutch w/Clevis & Turnbuckle, Black Lever	1
25	701-24A	Spring, Clutch	1
26	12-09	Pin, Sheave w/Cotter Pin	1
27	701-06A	Nut, 5/8" Nylon Lock	2
28	702-27B	Bearing, 5/8" Wheel (2 per wheel)	6
29	702-50C	Wheel, Pneumatic w/ 5/8" Bearing	3
30	702-78	Strap	1
31	460-009	Bracket, Pex, Tube	1
32	460-251	Brace, Outside	1
33	460-501	Drape, Hood	1
34	450-755	Nut, Height Adjuster Wing - 5/8"	1
35	450-764	Bolt, Front Axle - 5/8" x 4"	1
36	460-504	Clip, 12mm	1
37	460-505	Clip, 10mm	1
38	460-002	Rotor, WireMaster	1
39	450-507	Point, Rotor (2 1/4" straight)	N/A
40	450-762	Assembly, Front Axle (Bolt, Nuts, Washers & Wing Nut)	1
41	450-025	Stop, Belt, Rotor Pulley, Model R450HA Only, 4.5" O.D.	1
42	450-763	Stop, Idler Arm, 5/16" x 3 1/2 " NF Bolt	1
43	460-503	Knob, Up/Down Adjustment	2
44	460-007	Rod, Ground	1
45	460-008	Bracket, Front, Up/Down	1
46	460-004	Bracket, Drape Retainer	1
47	460-010	Clamp, Wire Spool Bracket	1
48	460-013	Bracket, Wire Spool Mount	1
49	460-014	Tube, Wire Conduit, PEX	1
54	460-252	Hood, Back Plate	1
6 & 33	460-015	Assembly, Hood with Drape	1



MODELS R460HA WIREMASTER MOLE