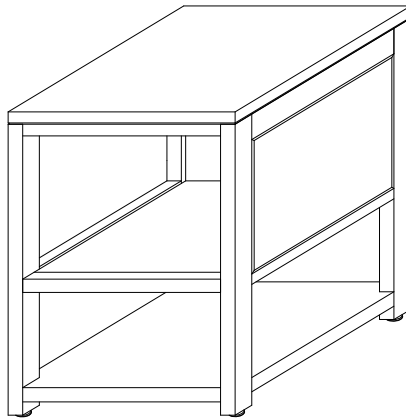


# HOME DECORATORS *collection*<sup>®</sup>

BF-24673 MSL STORAGE CONSOLE SHORT-31"Hx21"W

## ASSEMBLY INSTRUCTIONS

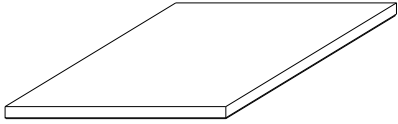
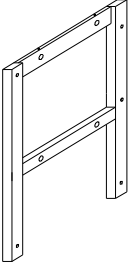
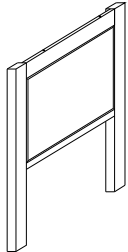
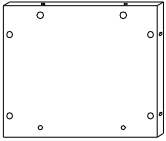
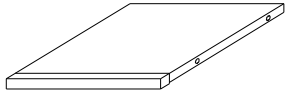
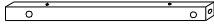
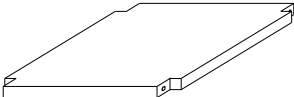




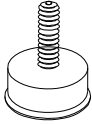
Made In China



Thank you for purchasing this quality product. Be sure to check all packing material carefully for small parts, which may have come loose inside the carton during shipment. Count all parts and material hardware, Compare with parts list to be sure all parts are present. If any parts are missing or damaged, phone, fax, or mail to our Customer Service Department. For efficient and speedy service please indicate the model number and code letter of part(s) need

**IMPORTANT NOTE:** Follow instructions listed below in proper sequence as numbered to assure fast, easy and correct assembly.

## PARTS LIST

<p><b>A</b></p>  <p>TOP PANEL-1PC</p>	<p><b>B</b></p>  <p>LEFT SIDE PANEL-1PC</p>	<p><b>C</b></p>  <p>RIGHT SIDE PANEL-1PC</p>
<p><b>D</b></p>  <p>BACK PANEL-1PC</p>	<p><b>E</b></p>  <p>BOTTOM PANEL-1PC</p>	<p><b>F</b></p>  <p>ADORNING PANEL-1PC</p>
<p><b>G</b></p>  <p>SHELF PANEL-1PC</p>	<p><b>H</b></p>  <p>CAM-TOOL-1PC</p>	<p><b>I</b></p>  <p>CAM-BOLTS-22PCS</p>
<p><b>J</b></p>  <p>CAM-LOCKS-22PCS</p>	<p><b>K</b></p>  <p>SCREWS-2PCS</p>	<p><b>L</b></p>  <p>FEET-4PCS</p>

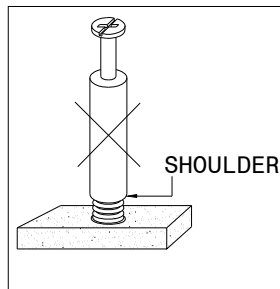
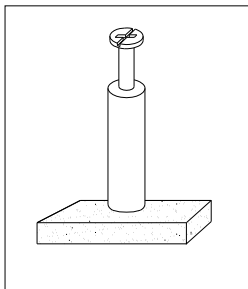
**M**



CAM-LOCKS CAP-10PCS

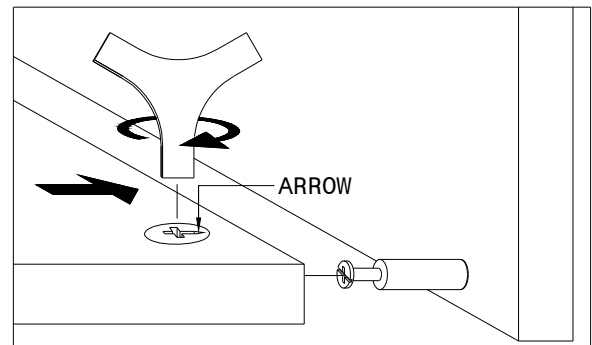
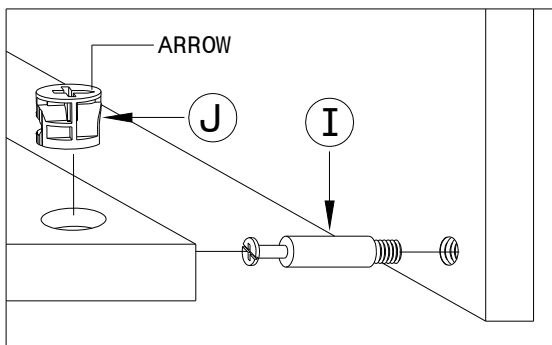

**NOTE:THE SURFACE WITH THE STICKER IS THE BACK SIDE.**

**NOTE:** ● UPON OPENING THOROUGHLY CLEAN ALL WOODS SURFACES TO REMOVE DUST AND DIRT THAT MAY HAVE SETTLED ONTO FINISH DURING SHIPMENT. IN ORDER TO PREVENT DAMAGE DURING ASSEMBLY, PLEASE ASSEMBLE THIS ITEM WITH AT LEAST TWO PEOPLE.

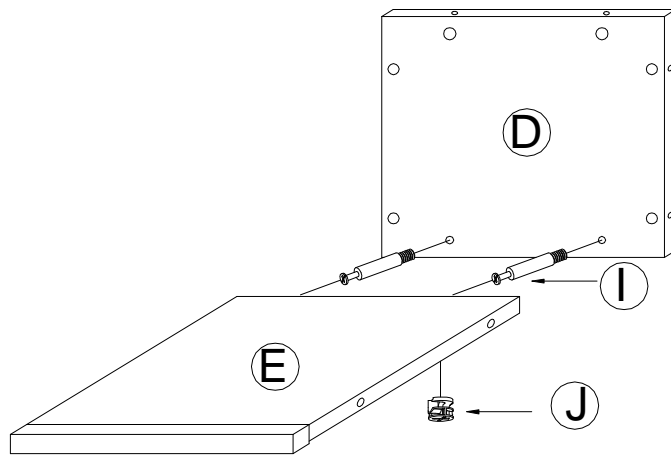


**NOTE:** TURN THE CAM-BOLT SCREWS UNTIL THEY ARE TIGHT, THE SHOULDER SHOULD BE AGAINST THE SURFACE OF THE PART.

## HOW TO USE THE CAM-TOOL

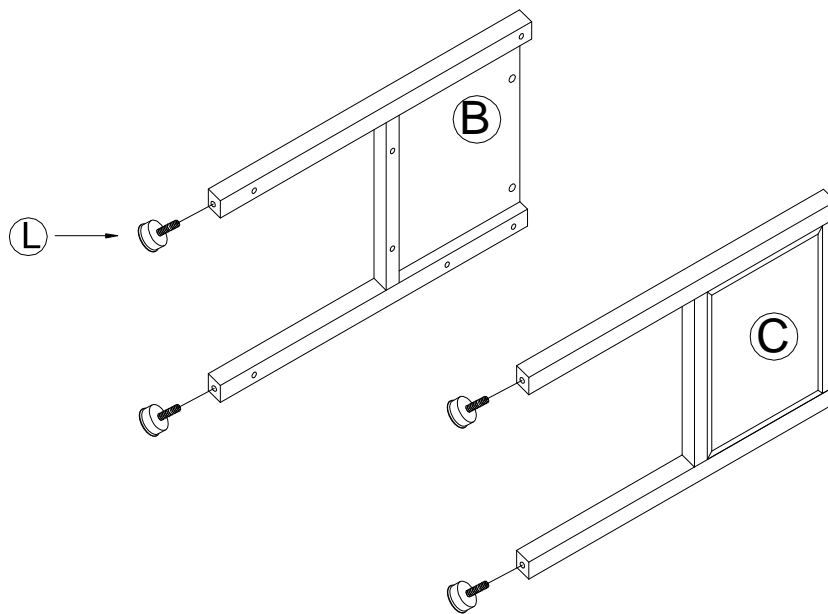


**NOTE:** ● THE ARROWS ON THE HIDDEN CAM-LOCKS SHOULD POINT TO THE CAM-BOLTS



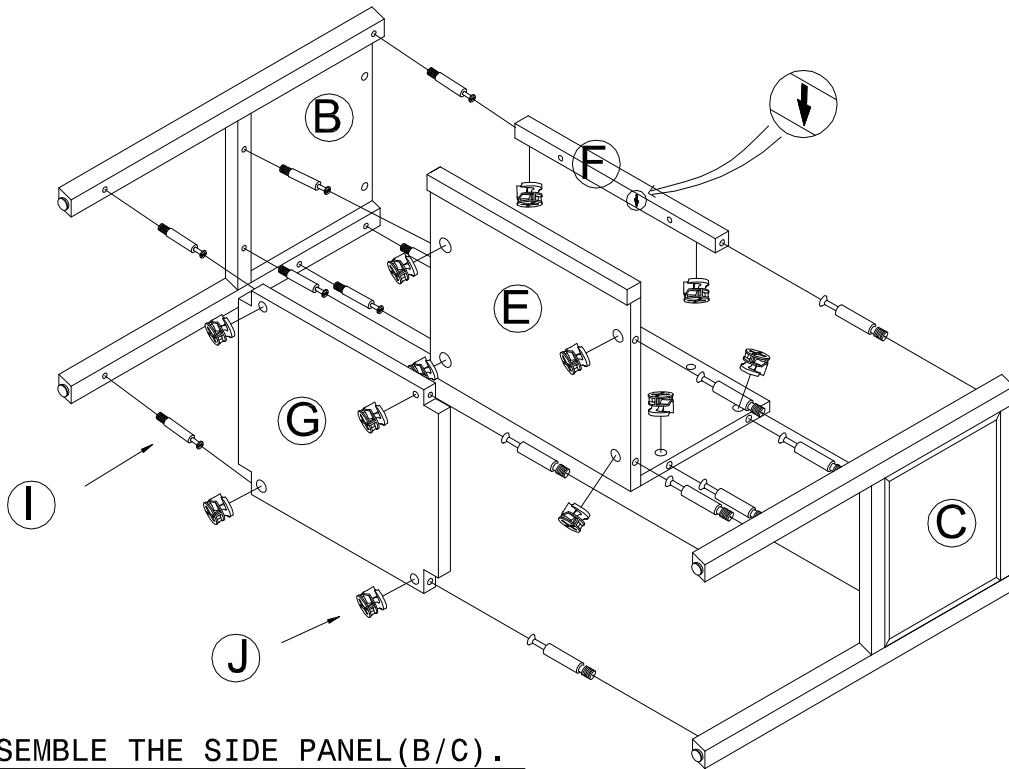
**1) . ASSEMBLE THE BACK/BOTTOM SIDE PANEL (D/E) .**

- ROTATE THE 2 CAM-BOLTS(I) INTO HOLES IN BACK PANEL (D) .
- PLACE THE 2 CAM-BOLTS(I) INTO HOLES IN PANEL (E) AND ATTACH USING 2 CAM-LOCKS(J) .



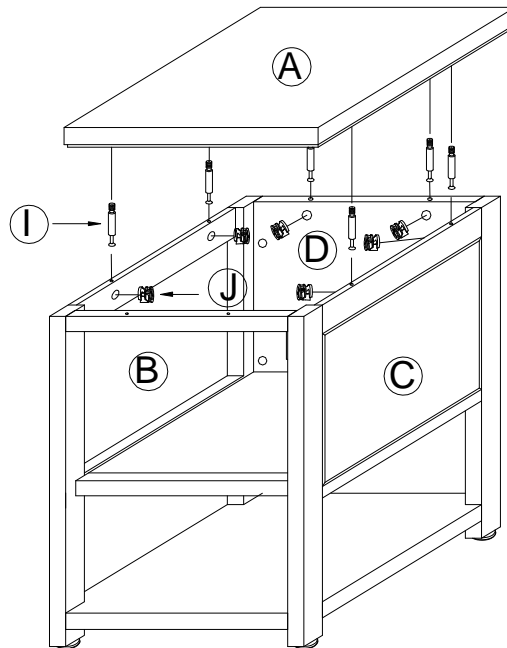
**2) . ASSEMBLE THE FEETS(L) .**

- ROTATE THE 4 FEETS(L) INTO HOLES IN PANEL (B/C) .



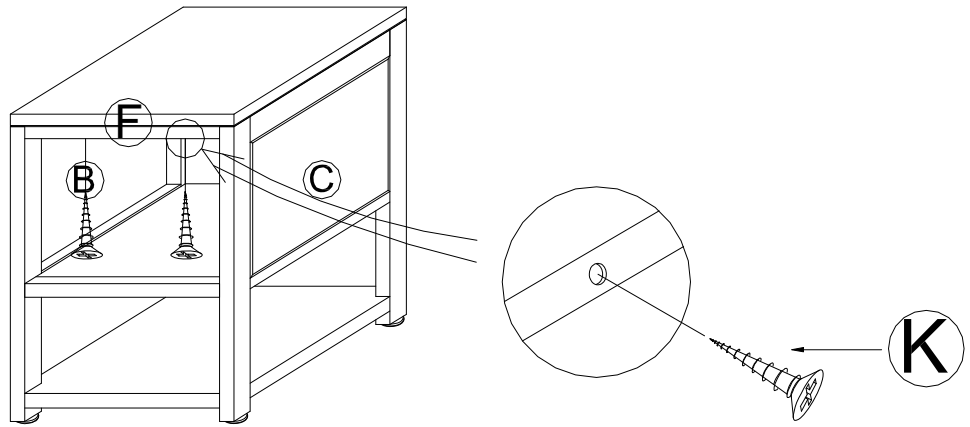
### 3) . ASSEMBLE THE SIDE PANEL (B/C) .

- ROTATE THE 14 CAM-BOLTS(I) INTO HOLES IN PANEL (B/C) .
- PLACE THE CAM-BOLTS (I) INTO HOLES IN PANEL (D/E/F/G) AND ATTACH USING 14 CAM-LOCKS (J) .



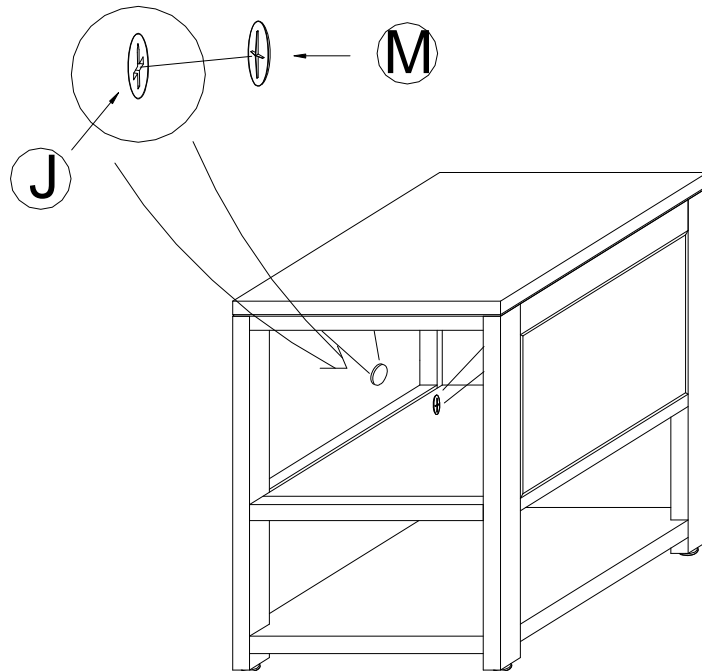
### 4) . ASSEMBLE THE TOP PANEL (A) .

- ROTATE THE 6 CAM-BOLTS(I) INTO HOLES IN TOP PANEL (A) .
- PLACE THE CAM-BOLTS(I) INTO HOLES IN PANEL (B/C/D) AND ATTACH USING 6 CAM-LOCKS (J) .



**5) . ASSEMBLE THE SCREWS(K) .**

- ROTATE THE 2 SCREWS(K) INTO HOLES IN ADORNING PANEL(F) .



**6) . ASSEMBLE THE CAM-LOCKS CAP(M) .**

- ATTACH THE 10 CAM-LOCKS(J) USING 10 CAM-LOCKS CAP(M) .