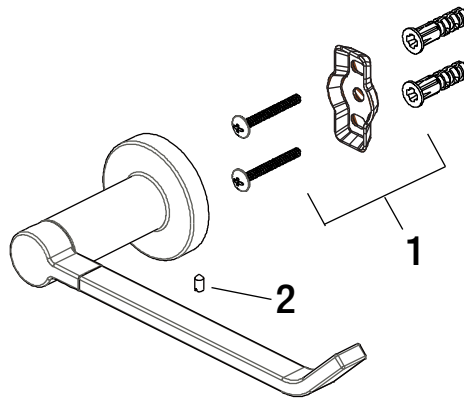




Replacement Parts List

Glacier Bay Modern Series Tissue Holder

MODEL	STORE SKU #	FINISH
20154-2001	1002927583	Chrome



Many replacement parts can be purchased online or at your local store. Please use the table below to identify the part SKU number needed, go to HOMEDEPOT.COM, and check for online and store availability. If you can't find the part you are looking for, please call 1-855-HD-GLACIER.

Part	Description	Part #	Internet SKU #	Store SKU #
1	Plastic Anchor	RP80061	207107132	
	Mounting Bracket			
	Wood Screw			
2	Set Screw	RP50078		