

**BIDET FAUCET
K-12286-4**

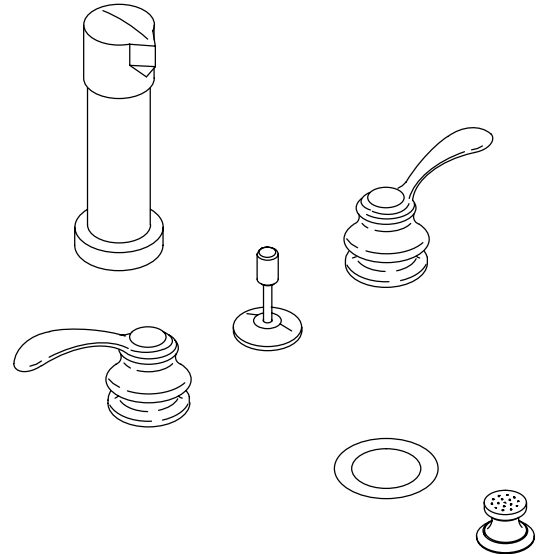
FEATURES

- Brass construction
- Flexible connections
- Brass valve bodies
- Quarter-turn washerless ceramic disc valves
- Pop-up drain with lift rod and tailpiece
- Lever handles
- Vertical spray
- Fixture-mount transfer valve/vacuum breaker

CODES/STANDARDS APPLICABLE

Specified model meets or exceeds the following:

- ASME/ANSI A112.18.1M
- ASSE 1001
- CSA B125
- IAPMO/UPC

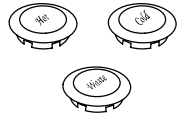


COLORS/FINISHES

- CP Polished Chrome
- PB Polished Brass
- Other Refer to Faucets Price Book for additional finishes

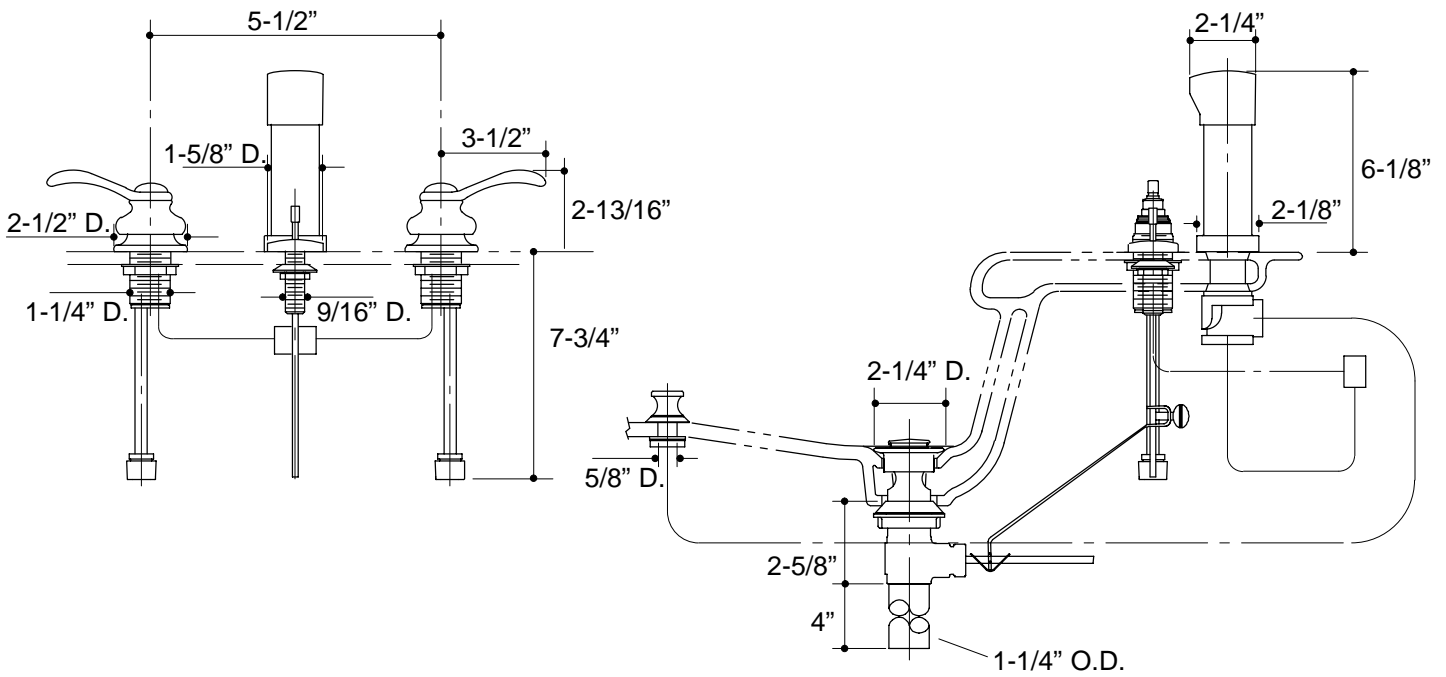
SPECIFIED MODEL:

Model	Description			
K-12286-4	Fairfax Bidet Faucet	<input type="checkbox"/> CP	<input type="checkbox"/> PB	<input type="checkbox"/> Other_____

Optional Accessory		
K-12003	Plug Button Set	<input type="checkbox"/> Other_____

PRODUCT SPECIFICATION:

Two-handle bidet faucet shall be of brass construction. Faucet shall feature brass valve bodies. Faucet shall feature quarter-turn washerless ceramic disc valves, assuring positive handle stop positioning. Product shall include flexible connections, pop-up drain and tailpiece, handles, vertical spray, and fixture-mount transfer valve/vacuum breaker. Faucet shall be Kohler Model K-12286-4-_____.



PRODUCT DIAGRAM