

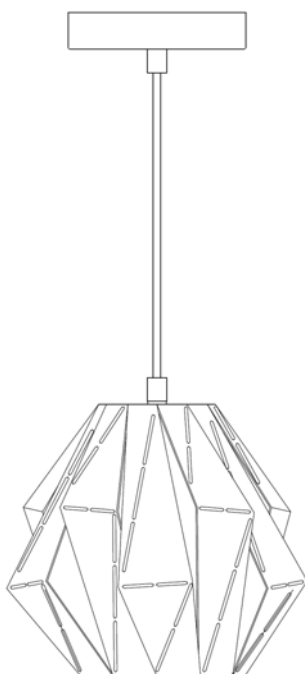
HOME
DECORATORS
COLLECTION

Item # 000-000

MODEL# 00000-0

USE AND CARE GUIDE

1 LIGHT PENDANT



**Questions, problems, missing parts? Before returning to the store,
call Home Decorators Collection Customer Service
8 a.m. - 7 p.m., EST, Monday-Friday, 9 a.m. – 6 p.m., EST, Saturday**

1-800-986-3460

WWW.HOMEDEPOT.COM/HOMEDECORATORS

THANK YOU


We appreciate the trust and confidence you have placed in Home Decorators Collection through the purchase of this light. We strive to continually create quality products designed to enhance your home. Visit us online to see our full line of products available for your home improvement needs. Thank you for choosing Home Decorators Collection!


Table of Contents


Table of Contents	2	Package Contents.....	4
Safety Information.....	2	Installation.....	5,6
Warranty.....	2	Care and Maintenance.....	6
Pre-installation	3	Troubleshooting.....	6
Planning Installation	3		
Tools required	3		
Hardware Included	3		

Safety Information

Read and understand this entire manual before you attempt to assemble, install, or operate this product.

 **WARNING:** Read instructions carefully and turn off the electricity at the main circuit breaker panel before you begin this installation.

 **WARNING:** This product contains chemicals known to the State of California to cause cancer, birth defects, and/or other reproductive harm. Thoroughly wash hands after installing, handling, cleaning, or otherwise touching this product.

 **WARNING:** If any special control devices are used with this fixture, follow the instructions carefully to assure full compliance with N.E.C. requirements. If there are any questions, contact a qualified electrical contractor.

Warranty

ONE YEAR MANUFACTURER WARRANTY

The manufacturer warrants this lighting fixture to be free from defects in materials and workmanship for a period of one (1) year from the date of purchase. This warranty applies only to the original consumer purchaser and only to products used in normal use and service. If this product is found to be defective, the manufacturer's only obligation, and your exclusive remedy, is the repair or replacement of the product at the manufacturer's discretion provided that the product has not been damaged through misuse, abuse, accident, modifications, alterations, neglect, or mishandling.

This warranty shall not apply to any product that is found to have been improperly installed, set-up, or used in any way not in accordance with the instructions supplied with the product. This warranty shall not apply to a failure of the product as a result of an accident, misuse, abuse, negligence, alteration or faulty installation, or any other failure not relating to faulty material or workmanship. This warranty shall not apply to the finish on any portion of the product, such as surface and/or weathering, as this is normal wear and tear. The manufacturer does not warrant and specially disclaims any warranty, whether express or implied, of fitness for a particular purpose, other than the warranty contained herein. The manufacturer specially disclaims any liability and shall not be liable for any consequential or incidental loss or damage, including but not limited to any labor/expense costs involved in the replacement or repair of said product.

Contact the Customer Service Team at 1-800-986-3460 or visit www.homedepot.com/homedecorators.

Pre-installation

PLANNING INSTALLATION

Before beginning installation, make sure all parts are included using the Hardware Included and Package Contents sections. If any part is missing or damaged, do not attempt to assemble, install, or operate the product.

To avoid damaging this product, place it on a soft, non-abrasive surface, such as carpet or cardboard.

TOOLS REQUIRED



Safety goggles



Phillips screwdriver



Flathead screwdriver



Pliers



Wire strippers



Wire cutters



Step ladder



Electrical tape

HARDWARE INCLUDED



NOTE: Hardware not shown to actual size.

AA



BB



CC



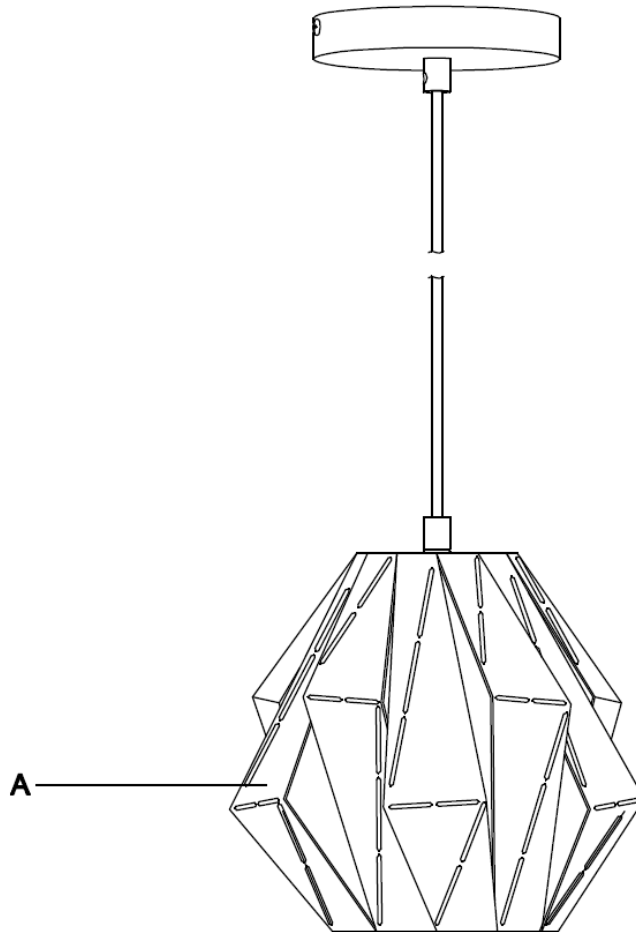
DD



Part	Description	Quantity
AA	Outlet Box Screw	2
BB	Wire Nut	3
CC	Canopy Screw	2
DD	Mounting Crossbar	1

Pre-installation

PACKAGE CONTENTS

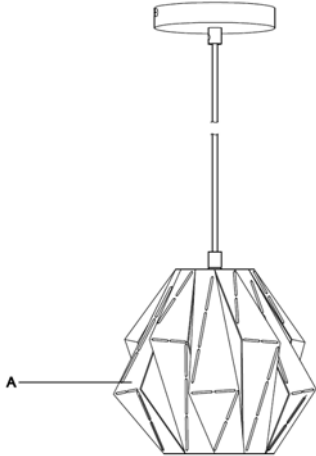


Part	Description	Quantity
A	Lamp	1

Installation

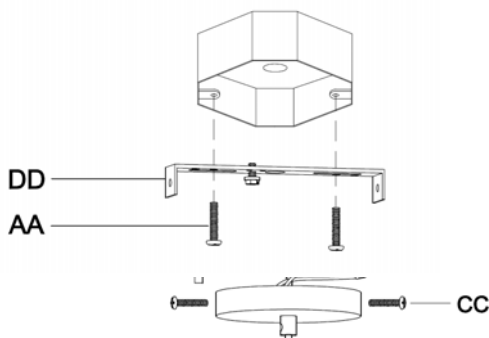
1 Installing the assembly

- Carefully unpack the fixture. Lay out all the parts on a clean surface.



2 Installing the mounting Crossbar

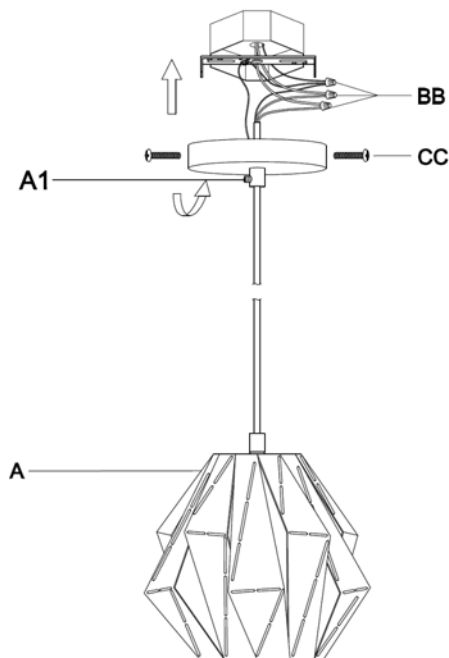
- Unscrew Canopy Screws (CC), Install the Mounting Crossbar (DD) to the outlet box (not included) by using the Outlet Box Screws (AA) (provided).



3 Connecting the wires & Installing the fixture to the ceiling

NOTE: Make sure that power is off at the circuit breaker box before proceeding.

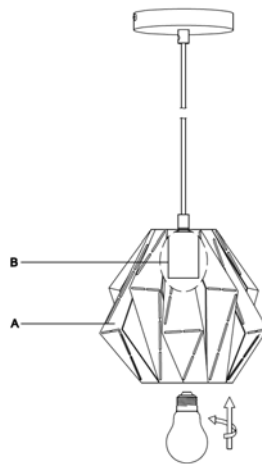
- Connect the "L" live wires from the fixture to the black live wire from the outlet box by using Wire Nut (BB). Connect the "N" neutral wire from the fixture to the white neutral wire from outlet box by using Wire Nut (BB). Connect the ground wire from the fixture and the ground wire from the outlet box by using Wire Nut (BB). If the Outlet Box does not have a bare ground wire, then ground wire from canopy and ground wire from the fixture must be connected to the green hex screw on the Mounting Crossbar (DD). Tighten the ground screw to secure ground wires to the Mounting Crossbar (DD).
- Wrap electrical tape (not included) around the Wire Nuts (BB) and ensure they are secure. Then pull all wire connections into the outlet box.
- Unscrew Plastic Screw (A1) from strain relief cord anchorage to adjust the cord in the fixture to your desired hanging length, then tighten Plastic Screw (A1) to strain relief cord anchorage.
- Fasten the Canopy and Mounting Crossbar (DD) by using Canopy Screw (CC).



Installation

4 installing the bulbs

- Install the bulb (Not included) into the fixture socket (B). This fixture uses 60-watt MAX Type A Bulb (not included) or energy saving equivalence LED or CFL bulb (not included). Ensure that you do not exceed the recommended wattage.
- Verify the installation is complete. Turn on the power at the circuit breaker or fuse box. Turn the light switch on to activate the fixture.



Care and Maintenance



WARNING: Before you perform any cleaning or maintenance work, turn off the electricity at the main circuit breaker panel.

- Wipe the fixture with a damp, soft cloth. Do not use any abrasive cleaners or cleaners that contain alcohol.

Troubleshooting

Problem	Possible Cause	Solution
The light will not turn on.	A bulb is burned out.	Replace the bulb.
	The power is off	Ensure the power supply is on.
	There is a faulty wire connection.	Check the wiring. Contact a qualified and licensed electrician if you are not comfortable troubleshooting wiring problems.
	There is a faulty switch.	Test or replace the switch.
The fuse blows or the circuit breaker trips when the light is turned on.	There are crossed wires or the power wire is grounding out.	Discontinue use of the fixture. Check the wire connections or contact a qualified electrician.

HOME
DECORATORS
COLLECTION

**Questions, problems, missing parts? Before returning to the store,
call Home Decorators Customer Service
8 a.m. - 7 p.m., EST, Monday-Friday, 9 a.m. – 6 p.m., EST, Saturday**

1-800-986-3460

WWW.HOMEDEPOT.COM/HOMEDECORATORS

Retain this manual for future use.