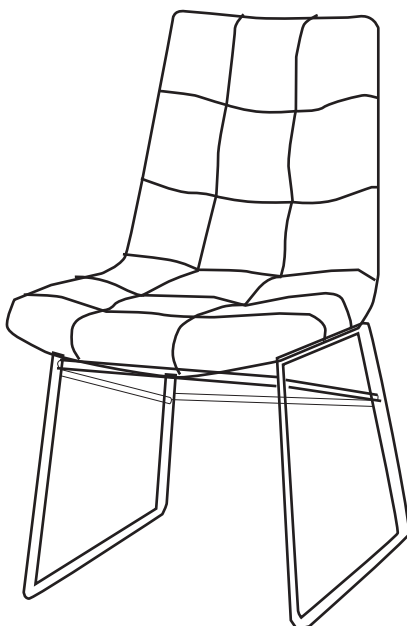


USE AND CARE GUIDE

Dining chair



**Questions, problems, missing parts? Before returning to the store,
call Home Decorators Collection Customer Service
8 a.m. - 7 p.m., EST, Monday-Friday
9 a.m. - 6 p.m., EST, Saturday**

1-800-998-7021

[HOMEDEPOT.COM/HOMEDECORATORS](https://www.homedepot.com/homedecorators)

THANK YOU

We appreciate the trust and confidence you have placed in Home Decorators Collection through the purchase of this chair. We strive to continually create quality products designed to enhance your home. Visit us online to see our full line of products available for your home improvement needs. Thank you for choosing Home Decorators Collection!

Table of Contents

| | | | |
|---------------------------|---|------------------------|---|
| Table of Contents..... | 2 | Hardware Included..... | 3 |
| Safety Information..... | 2 | Package Contents | 3 |
| Warranty | 2 | Assembly..... | 4 |
| What is Covered..... | 2 | Maintenance..... | 5 |
| What is Not Covered | 2 | Care and Cleaning..... | 5 |
| Pre-Assembly | 2 | | |
| Planning Assembly..... | 3 | | |
| Tool Required..... | 3 | | |

Safety Information

DANGER

- Keep small parts away from children during assembly.
- Read and follow instructions carefully.

WARNING

- Read these instructions carefully and keep in a safe place.
- TO GUARANTEE THE SAFE USE OF THIS PRODUCT, FOLLOW THE WARNINGS, GUIDELINES AND RECOMMENDATIONS IN THIS MANUAL.**
- Adult assembly required.
- Small parts may present choking hazard prior to assembly.
- Do not stand, step or climb on unit.

CAUTION

- Do not use power tools to assemble your furniture. Power tools may strip or damage parts/product.
- Do not overtighten connectors (screws, bolts, etc.). Overtightening can lead to product damage.
- Be sure to check all packing materials carefully for small parts that may have come loose inside the carton during shipment. If parts are missing, contact THE HOME DEPOT to obtain any missing parts.
- DO NOT USE SUBSTITUTE PARTS.**
- This product should only be used on a flat, level surface.
- Product is designed to hold [insert max claim load]. Exceeding this limit may damage the product or cause injury to the user.

Warranty

3 YEAR WARRANTY

Contact the Customer Service Team at 1-800-998-7021 or visit HOMEDEPOT.COM/HOMEDECORATORS.

WHAT IS COVERED

We guarantee this product to be free of manufacturing defects to the original purchaser for three years.

WHAT IS NOT COVERED

This warranty does not cover commercial use, acts of nature, and abusive use.

Pre-Assembly (continued)

PLANNING ASSEMBLY

Compare all parts with the Hardware Included and Package Contents list. If any part appears missing or damaged, do not assemble this product and contact the Customer Service Team at 1-800-998-7021.

TOOLS REQUIRED



Hex Wrench
(provided)

HARDWARE INCLUDED



NOTE: Hardware not shown to actual size.



__AA



__BB



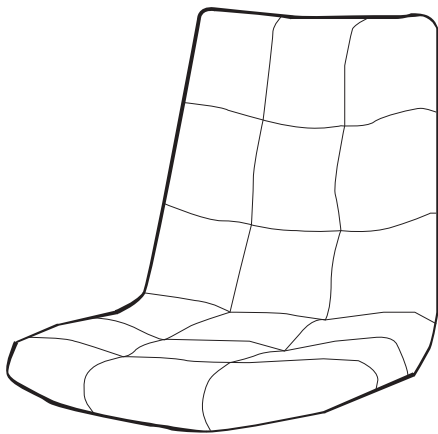
__CC



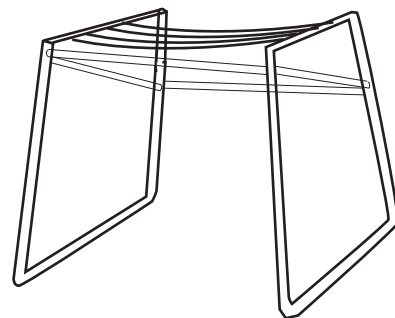
__DD

| Part | Description | Quantity |
|------|-------------|----------|
| AA | Bolt | 4 |
| BB | Flat Washer | 4 |
| CC | Lock Washer | 4 |
| DD | Hex Wrench | 1 |

PACKAGE CONTENTS



A



B

| Part | Description | Quantity |
|------|-------------|----------|
| A | Chair Top | 1 |
| B | Chair Base | 1 |

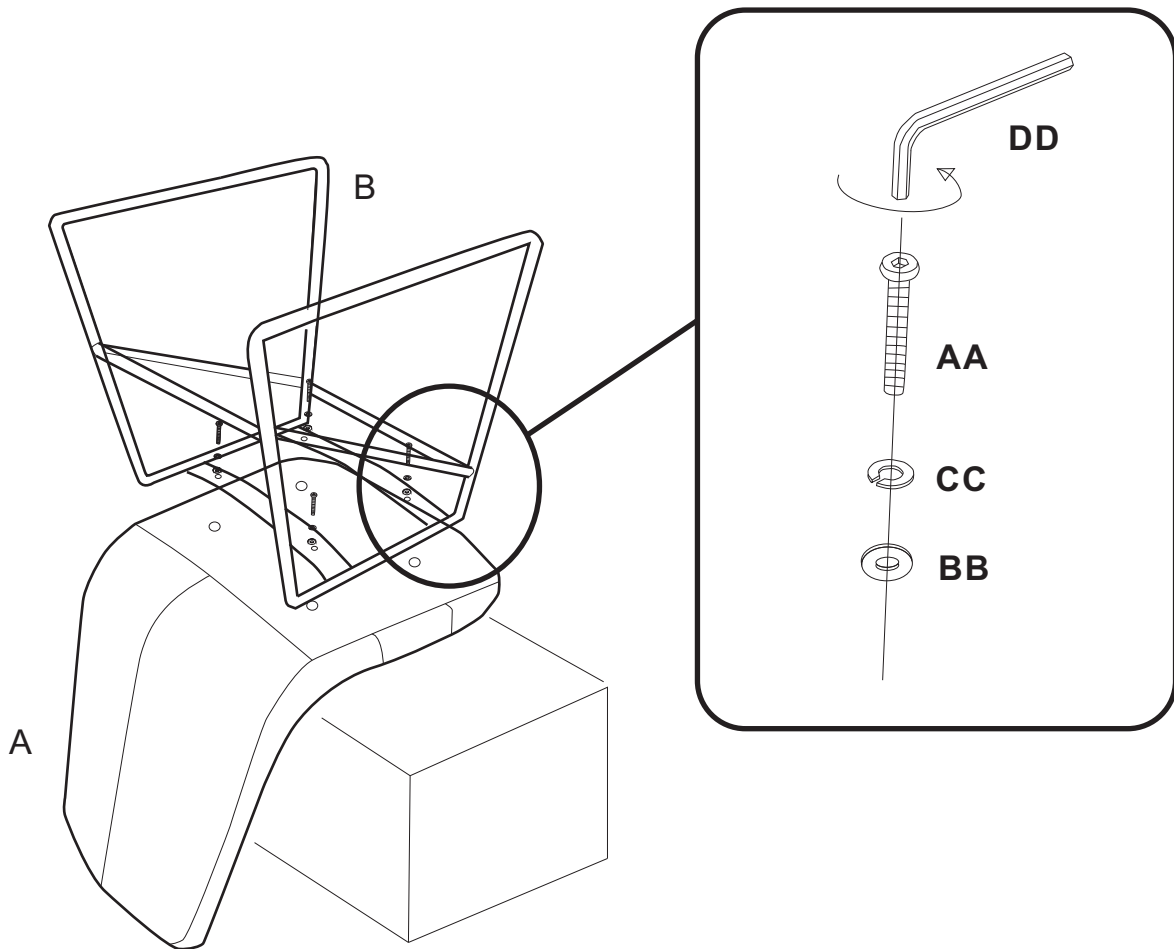
Assembly

1 Connecting the chair top and chair base



NOTE: Do not fully tighten all bolts until you finish assembling. Once assembled, go back and fully tighten all bolts. This will make the assembly easier.

- Put the chair top opposite on a platform or the packing carton.
- Attach the chair base (B) to the chair top (A) by screwing the bolts (AA) with flat washers (BB) and lock washers (CC) into the countersunk holes on the chair base. Tighten the bolts with provided hex wrench (DD).



Maintenance

To clean and care for your furniture:

- Use a soft, clean cloth that will not scratch the surface when dusting.
- Use of furniture polishes is not necessary. Should you choose to use polishes, test first in an inconspicuous area.
- Using solvents of any kind on your furniture may damage the finish.
- Never use water to clean your furniture as it may cause damage to the finish.
- Liquid spills should be removed immediately. Using a soft clean cloth, blot the spill gently. Avoid rubbing.
- Always use protective pads under hot dishes and plates. Heat can cause chemical changes within the furniture finish.
- Stains or marks from crayons or ink markers will be difficult to remove.
- In the event that your furniture is stained or otherwise damaged during use, we recommend that you call a professional to repair your furniture.
- Check bolts/screws periodically and tighten them if necessary.

Care and Cleaning

Clean the PU leather using a soft cloth, slightly dampened with citrus oil-based product and buff with a clean soft cloth. **DO NOT** use brass polish or household cleaners as these products will damage the metal trim. Citrus oil-based products can be obtained at supermarkets or hardware stores.

**HOME
DECORATORS
COLLECTION®**

**Questions, problems, missing parts? Before returning to the store,
call Home Decorators Collection Customer Service
8 a.m. - 7 p.m., EST, Monday-Friday
9 a.m. - 6 p.m., EST, Saturday**

1-800-998-7021

HOMEDEPOT.COM/HOMEDECORATORS

Retain this manual for future use.