



OLYMPIA FAUCETS, INC.
 3325 S. Garfield Ave.
 Commerce, CA 90040
 (888) 772-7701
 www.olympiafaucets.com

INSTALLATION

Tools:



Adjustable Wrench



Plumbers Putty



Teflon Tape



Rags

Model Number: P-230XT, P-231XT, P-233XT, P-234XT, P-235XT, P-236XT, P-237XT, P-238XT, P-239XT

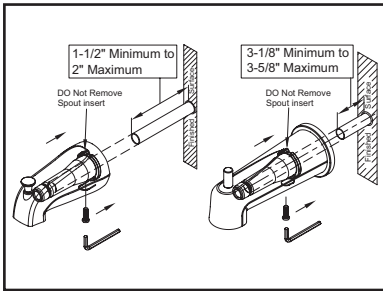
Warnings and Notes:

Check with local plumbing code requirements before installation.
 This product should be installed by a local listed plumber.
Do not use plumbers putty on threads.

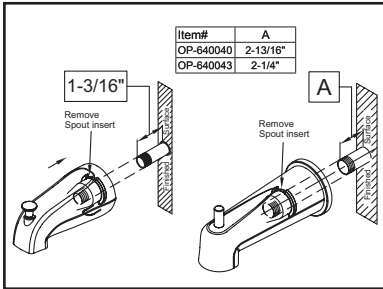


Installation Steps:

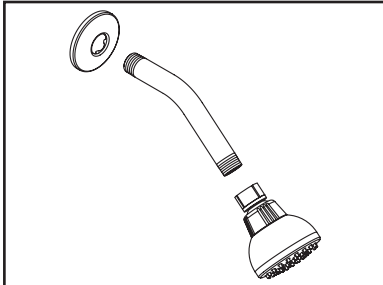
Single Handle Tub / Shower Trim Set



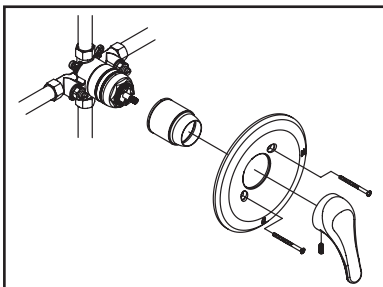
(1) For slip-fit tub spout installation: The 1/2" nominal copper tube must be cut with a minimum length of 1-1/2" to a maximum length of 2" from finished surface of tub or wall (Add extra 1/4" to the length of copper tube for spout escutcheon application) and 3-1/8" minimum length to a maximum length of 3-5/8" for 7" extended tub spout. The end of copper tube should be chamfered free of any burrs to prevent cutting or nicking O-ring inside the spout. The outside surface should be sanded free from nicks and scratches. Press and twist the spout over copper tube flush with the finished tub or wall surface. Tighten the set screw, but do not overtighten.



(2) For IPS tub spout installation: The 1/2" pipe thread nipple must be kept at a minimum length of 1-3/16" from finished surface of tub or wall (Add extra 1/4" to the length of pipe thread nipple for spout flange application) and minimum length of "A" for 7" extended tub spout. Remove Allen screw, twist and remove spout insert by using 1-1/32" size socket. Also remove black washer. Apply Teflon tape at threaded end of nipple. Screw tub spout onto the nipple and tighten by strap wrench.



(3) Caution: Only use Teflon tape on the thread ends of shower arm to avoid plugging showerhead spray outlet. Use silicon to caulk the back of shower arm flange. Slide shower arm flange over shower arm. Apply Teflon tape on both thread ends of shower arm and install shower arm, carefully tighten shower arm with help of strap wrench. Press shower arm flange against finished wall. Turn on water to flush system. Turn off water and attach showerhead to shower arm.

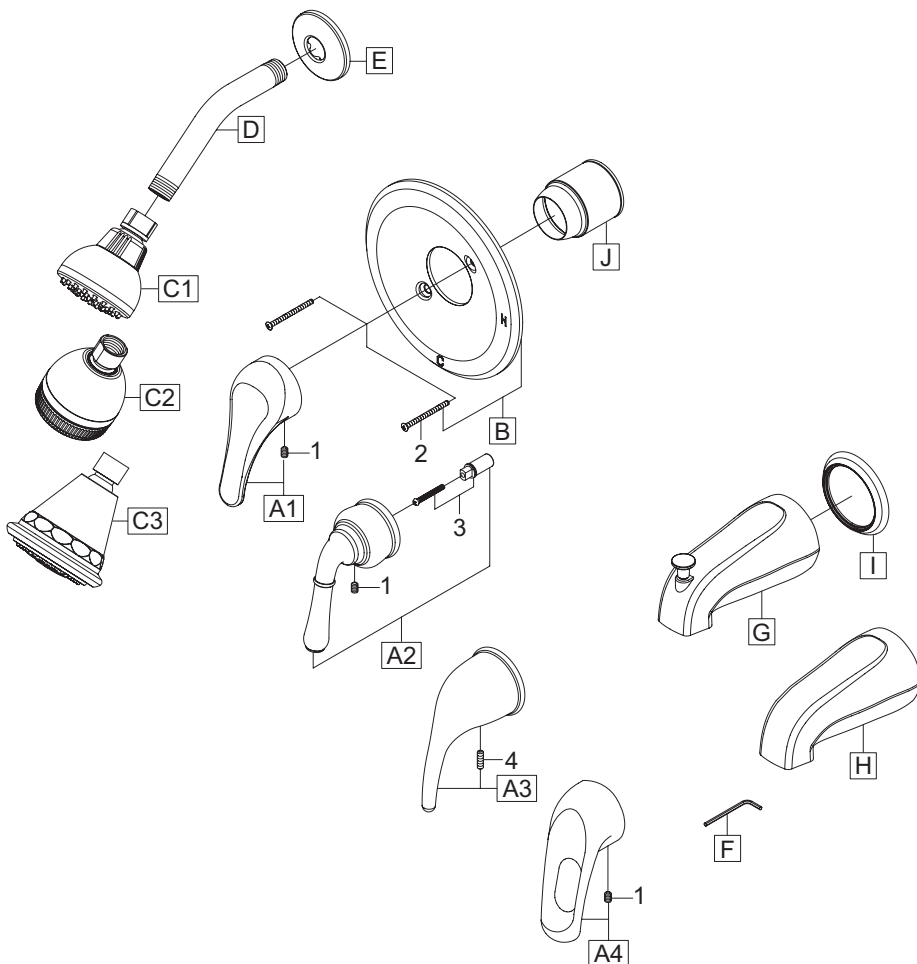


(4) Slide face plate on sleeve. Secure face plate by using silicon to caulk around the edge of the face plate for models which don't use face plate screws to secure the face plate. Secure handle to the cartridge by tightening handle set screw. Turn on the main water supply. Check for any leaks. If you need to adjust the hot water temperature then turn off the main water supply, drain the water, and remove the handle and the sleeve nut. Raise and turn the red color temperature adjusting ring clockwise to reduce the temperature and turn it counter-clockwise to increase the temperature. After adjusting the temperature, you need to reassemble the parts. Ensure the hot water temperature is set below 120 F.

Exploded Drawing: (P-23XXT)

* Note: Please specify finish/color when ordering.

	ITEM #	DESCRIPTION
A1	OP-140014*	Metal Lever Handle (For P-230XT,)
A2	OP-140008*	Lever Handle (For P-234XT, P-235XT)
A3	OP-140015*	Lever Handle (For P-236XT)
A4	OP-140010*	Lever Handle (For P-231XT)
B	OP-440009*	Face Plate
C1	OP-640053*	1.5 GPM Showerhead (For P-2300T, P-2310T, P-2302T, P-2312T)
C2	OP-640029*	1.75 GPM Showerhead (For P-2340T, P-2342T, P-2360T, P-2362T)
C3	OP-640035*	1.75 GPM Showerhead (For P-2350T, P-2352T)
D	OP-640002*	Shower Arm
E	OP-640001*	Shower Arm Flange
F	OP-490011	3/32" Allen Wrench
G	OP-640018*	Diverter Tub Spout (For P-23X0T)
H	OP-640019*	Tub Spout (For P-23X1T)
I	OP-440042*	Spout Escutcheon (For P-2350T, P-2351T)
J	OP-440054*	Sleeve
1	OP-490029	Allen Screw
2	OP-440010*	Face Plate Screws
3	OP-440033	Handle Adapter
4	OP-440043	Allen Screw

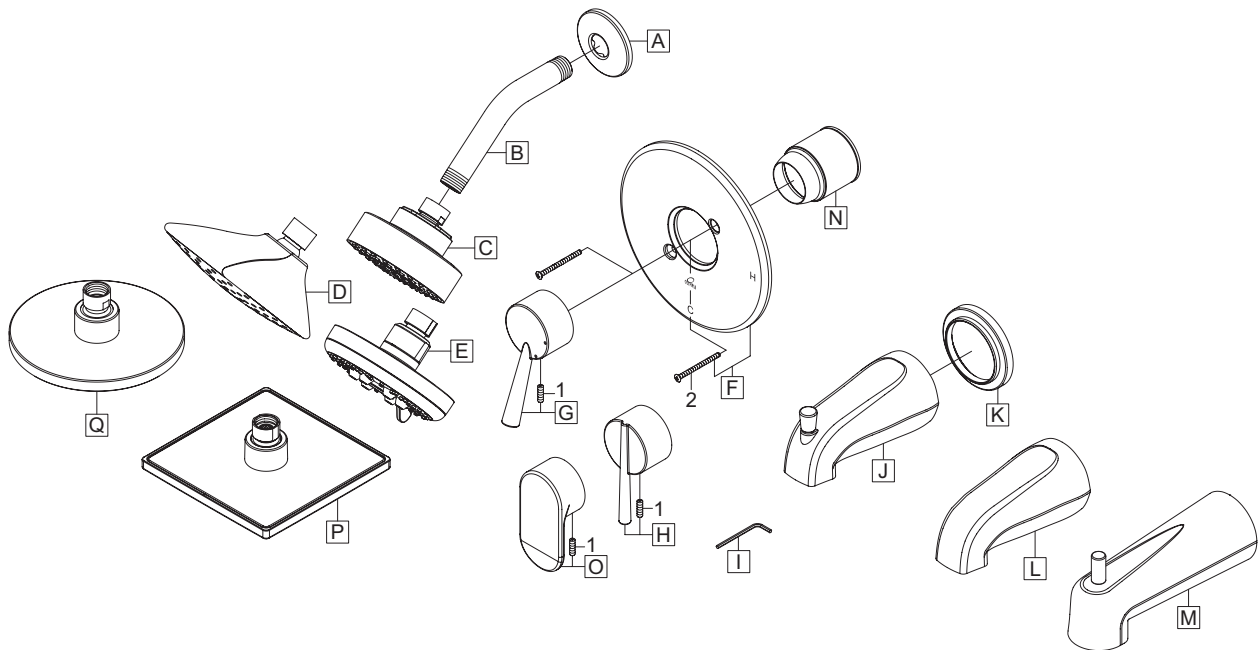


Exploded Drawing: (P-233XT, P-237XT, P-238XT)

* Note: Please specify finish/color when ordering.

	ITEM #	DESCRIPTION
K	OP-640008*	Spout Escutcheon (For P-23X0T, P-23X1T, P-23X4T , P-23X6T)
L	OP-640019*	Tub Spout (For P-23X1T)
M	OP-640040*	7" Extended Diverter Tub Spout (For P-23X4T)
N	OP-440054*	Sleeve
O	OP-140020*	Lever Handle (For P-233XT)
P	X-6400088*	1.75 GPM Shower Head (For P-239XT-6)
Q	OP-640047*	1.75 GPM Shower Head (For P-238XT-6R)
1	OP-440043	Allen Screw
2	OP-440010*	Face Plate Screws

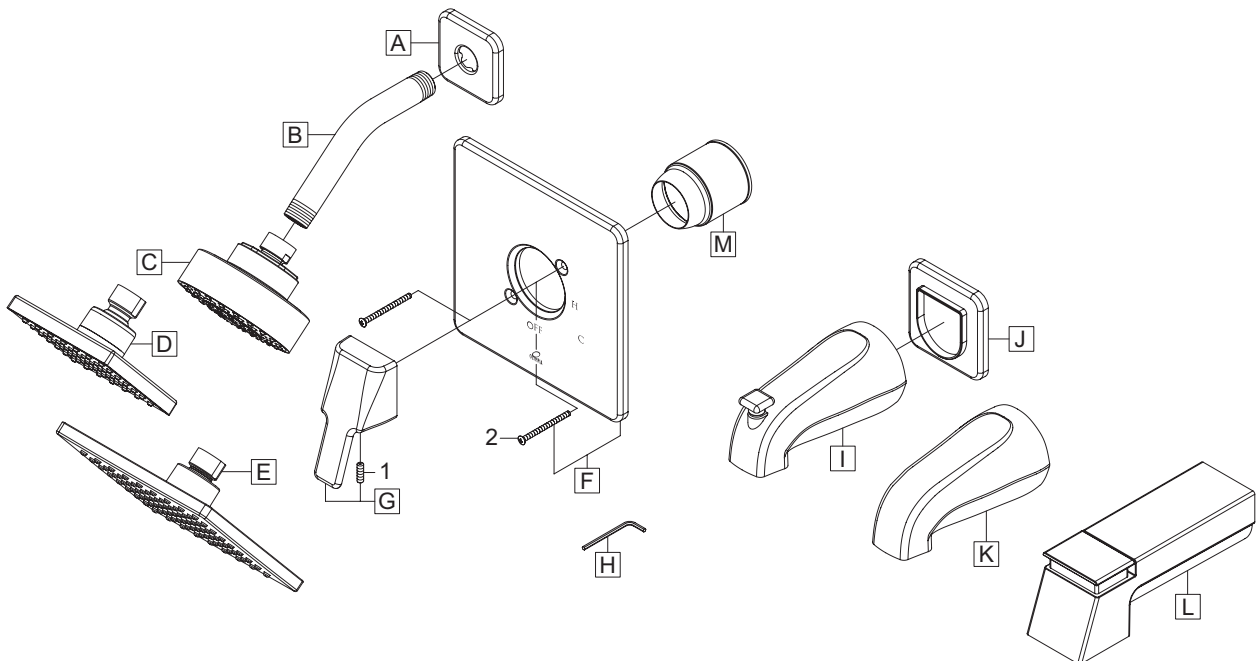
	ITEM #	DESCRIPTION
A	OP-640001*	Shower Arm Flange
B	OP-640002*	Shower Arm
C	OP-640038*	1.75 GPM Shower Head (For P-23X0T, P-23X2T)
D	OP-640037*	1.75 GPM Rain Shower Head (For P-23X4T, P-23X5T)
E	OP-640041*	1.75 GPM Shower Head (For P-2386T, P-2387T)
F	OP-440051*	Face Plate
G	OP-140011*	Lever Handle (For P-237XT)
H	OP-140018*	Lever Handle (For P-238XT)
I	OP-490011	3/32" Allen Wrench
J	OP-640007*	Diverter Tub Spout (For P-23X0T, P-2386T)



Exploded Drawing: (P-239XT)

* Note: Please specify finish/color when ordering.

	ITEM #	DESCRIPTION
A	OP-640045*	Shower Arm Flange
B	OP-640002*	Shower Arm
C	OP-640038*	1.75 GPM Shower Head
D	OP-640042*	1.75 GPM Shower Head (For P-2394T, P-2395T, P-2398T)
E	X-6400088*	1.75 GPM Shower Head (For P-2394T-6, P-2395T-6, P-2398T-6)
F	OP-440056*	Face Plate
G	OP-140019*	Lever Handle
H	OP-490011	3/32" Allen Wrench
I	OP-640046*	Diverter Tub Spout (For P-2390T, P-2394T)
J	OP-440055*	Spout Escutcheon
K	OP-640019*	Tub Spout (For P-2391T)
L	OP-640043*	7" Extended Diverter Tub Spout (For P-2396T, P-2398T)
L	OP-640044*	7" Extended Tub Spout (For P-2397T)
M	OP-440054*	Sleeve
1	OP-440043	Allen Screw
2	OP-440010*	Face Plate Screws



OLYMPIA

For more care information or trouble shooting inquiries
about your Olympia product, Please call:
OLYMPIA FAUCETS, INC. (888) 772-7701
Monday-Friday 8 AM to 8 PM EST (5 AM to 5 PM PST)
www.olympiafaucets.com