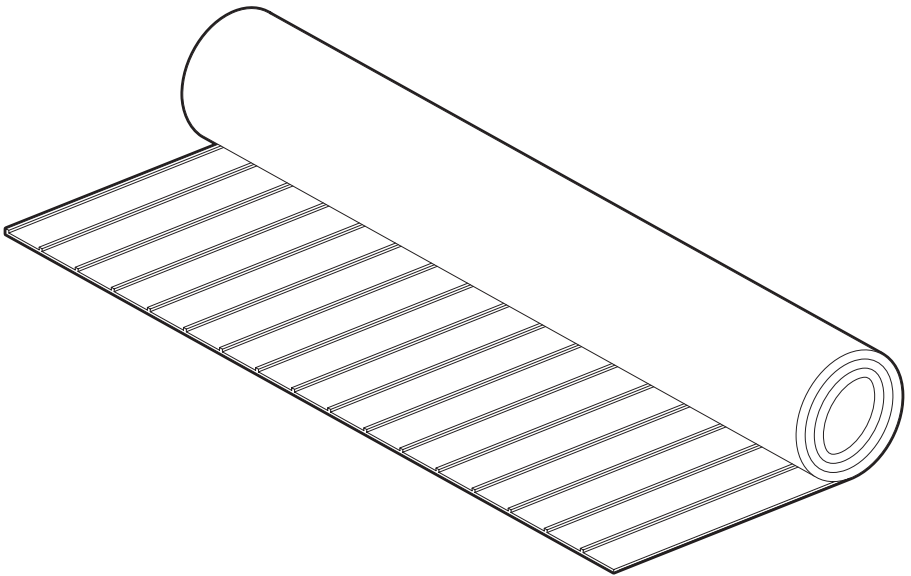




INSTALLATION AND CARE GUIDE

G-FLOOR®



Questions, problems? Call Better Life Technology, LLC Customer Service
8 a.m. - 5 p.m., CST, Monday - Friday

913-894-0403

WWW.BLTLCC.COM

Table of Contents

Safety Information	2
Care and Cleaning	2
Pre-Installation	3
Installation Methods	3
Preparing for Installation	3
Tools Required	3
Installation	4

Safety Information

Read and understand all precautions and instructions in the manual before you begin installation.



CAUTION: Any floor surface may become slippery when moisture or debris is present. Proper care and cleaning of vinyl flooring will reduce the likelihood of slips and falls. Always wipe up any oil, chemicals, or other fluids that may drip or leak from a vehicle to prevent hazardous, slippery conditions. Always dispose of hazardous materials properly. Never leave chemicals on product or wash into a sewer system.



CAUTION: Leaving chemicals on the product for a long period of time may cause damage. If a concrete floor has been treated with certain sealers prior to mat installation, the sealer may break down over time and adhere to the back of the mat without causing damage to the mat.



CAUTION: Some motorcycle kickstands may cut or damage this product.

Care and Cleaning

Wash with floor soap and water either inside or outside of the garage. Some people prefer moving the product outside and hosing it off.

Brush or sweep with cool water using a broom or sponge squeegee.

Mild soaps and other household detergents suitable for floors are usually effective. Never leave harsh detergents or chemicals on product.

Normal household vinyl cleaners may be used to increase longevity and to remove stubborn debris.

Certain automotive vinyl products may cause the surface to become slippery. Use a non-slip vinyl protector such as a clean-and-shine floor cleaner. After cleaning, apply a coat of floor polish for vinyl floors to add a long-lasting, high-luster finish, even to older universal floor covers.

This is not a stain-proof product—certain dyes, inks, rubber tires, and chemicals may cause permanent staining. Some non-permanent stains can be removed with spray-on Brake and Tool Cleaner, found in many auto parts stores without damaging the product. However, use of Brake and Tool Cleaner may cause product discoloration. Never use harsh chemicals such as tar remover or kerosene on this product.

This flooring is resistant to oil, battery acid, brake fluid, anti-freeze, mud, and salt.

Pre-Installation

INSTALLATION METHODS

- **Free-floating Installation:** Roll it out and trim to fit.
- **Tape or Glue Optional Installation:** Roll it out and trim to fit. Use an acrylic-based, double-sided tape, such as Roberts® MaxGrip™, at the edges and along the seams or, for full glue down option, use an acrylic based vinyl adhesive such as Roberts® MaxGrip™ 2310 or 2315 sheet vinyl adhesive.

PREPARING FOR INSTALLATION

- Sweep the floor clean of debris. Wipe up any oil and chemicals from the floor.
- Roll out flooring and allow it to lay flat. The product will initially have curl marks—this is normal and may take a few days to relax. The warmer the conditions, the quicker the curl marks will straighten out and lay flat. Flooring should lay flat and acclimate to room temperature (65°F-85°F) for up to 24 hours prior to installation. In cool to cold conditions, it may take 72+ hours before relaxed. If product is stored improperly (folded or not stored on cores), product can become damaged and will void the warranty. There are two options for unrolling this flooring:
 - For faster lay flat results, unroll the flooring in the sunlight on a clean driveway. The warmer the conditions, the quicker the curls will straighten out and lay flat. Use a wide push broom to push air out from the center and work your way out (side to side and length to length). Repeat if necessary. Place on garage floor when desired and repeat the broom out.
 - If you wish to unroll the product directly on the garage floor, sweep the garage floor clean of debris and unroll. For best results, start unrolling at the garage entrance; finishing at the back of the garage.

EXTERIOR USE

If product is used under extreme heat, such as direct sunlight, the product may expand or contract a small amount after laying flat. For custom fit, allow product to relax in place before trimming around edges and corners.

COMMERCIAL APPLICATIONS

In commercial applications, secure the product to the floor using a pressure sensitive acrylic-based adhesive (PSA) for vinyl. When installing a vinyl product with adhesive, it must be an acrylic-based product. SBR adhesives (rubber-based) will cause the vinyl flooring to contract. Subfloors must be carefully checked for moisture problems. Any moisture problems need to be immediately addressed prior to installation. New concrete floors need to cure for a minimum of 60 days.

TOOLS REQUIRED



Utility knife

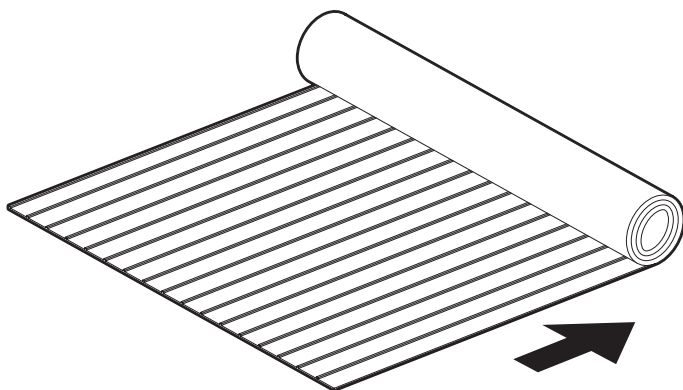


Straight edge

Installation

1 Placing the flooring

- For best results, start unrolling at the entrance; finishing at the back. Using a wide push broom, push any air out from center and work your way outward, side-to-side and length-to-length. Depending on the temperature, product may expand or contract somewhat during this process. It is OK to park your car on the flooring during this time.



2 Trimming and seaming the flooring

- For custom fit, allow the product to relax in place before trimming around edges and corners.
- After the product has been allowed to relax in place, if you choose to hold down edges or seams between two universal floor covers, use an acrylic-based tape for vinyl or an acrylic-based pressure sensitive adhesive (PSA) for vinyl to hold edges in place.

