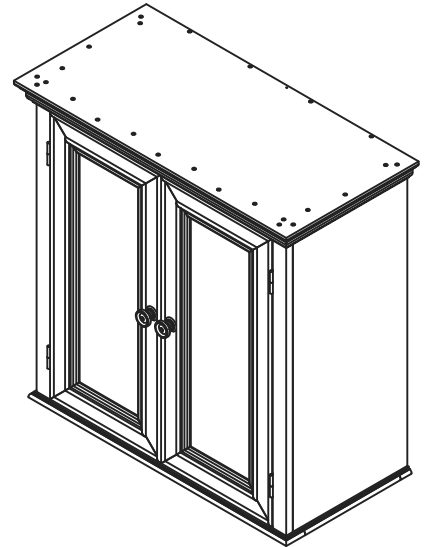


# 88 5576 451 Door Hutch



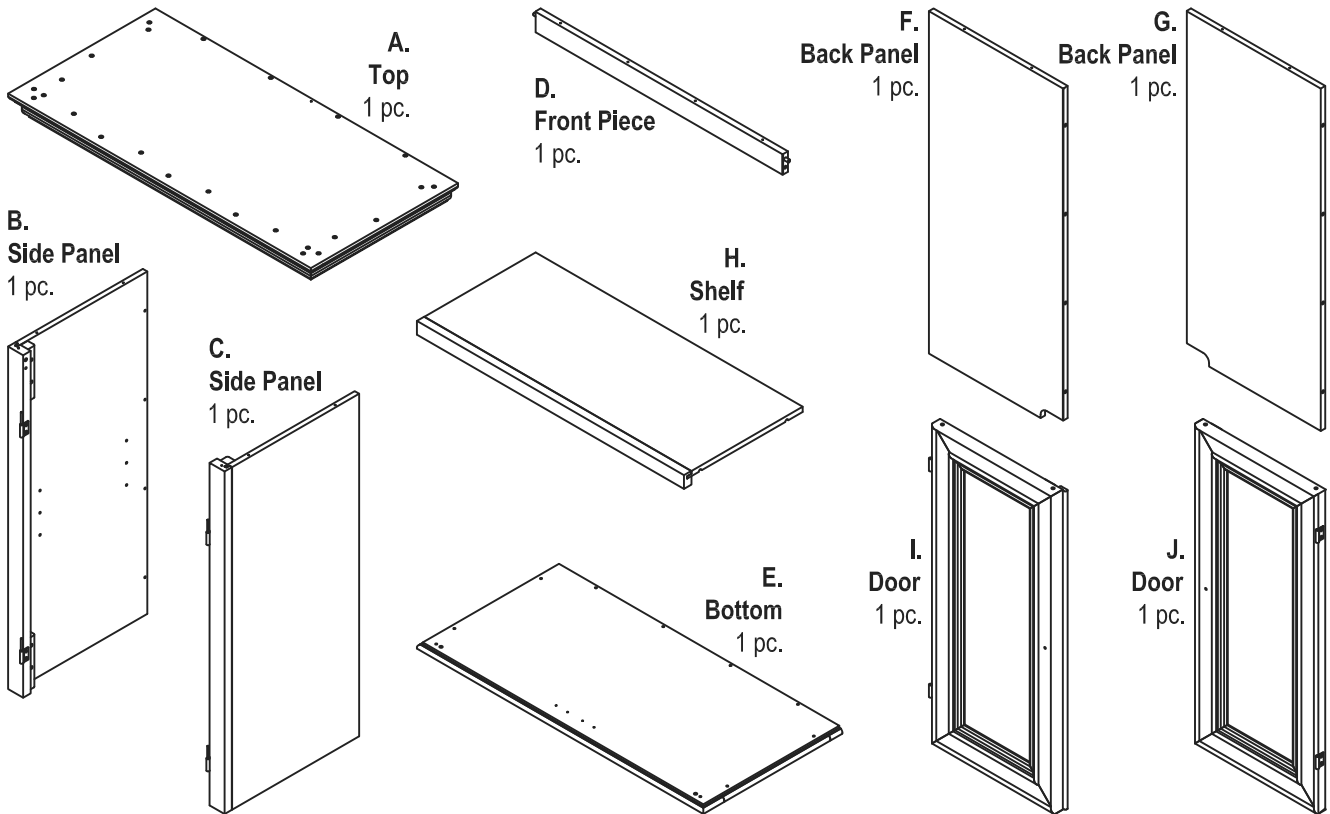
*Home  
Styles*

## IMPORTANT NOTE

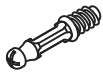
Carefully remove all the parts from the carton and put them individually on a soft cloth to prevent scratches or other damage occurring to the parts.

We have taken great care in the design of this product and request that you carefully and strictly follow our assembly instructions to ensure a completed product as it was designed.

## Part List



## Hardware List



Cam Lock Screw  
14 pcs. (+1 extra)



Cam Lock  
14 pcs. (+1 extra)



1 1/2" Round Head Screw  
1 pc. (+1 extra)



1 1/4" Round Head Screw  
10 pcs. (+1 extra)



1" Round Head Screw  
14 pcs. (+1 extra)



1/2" Round Head Screw  
9 pcs. (+1 extra)



5/8" Flat Head Screw  
8 pcs. (+1 extra)



Handle  
2 pcs.



(5/32"x1 1/4")  
Machine Screw  
2 pcs.



Wooden Dowel  
2 pcs. (+1 extra)



Magnet  
4 pcs.



Adjustable Pin  
4 pcs. (+1 extra)



Connector  
2 pcs.



Anchor  
1 pc. (+1 extra)



Flat Washer  
2 pcs. (+1 extra)



Tipping Restraint  
1 pc.

Tools Required For Assembly : Phillips screwdriver

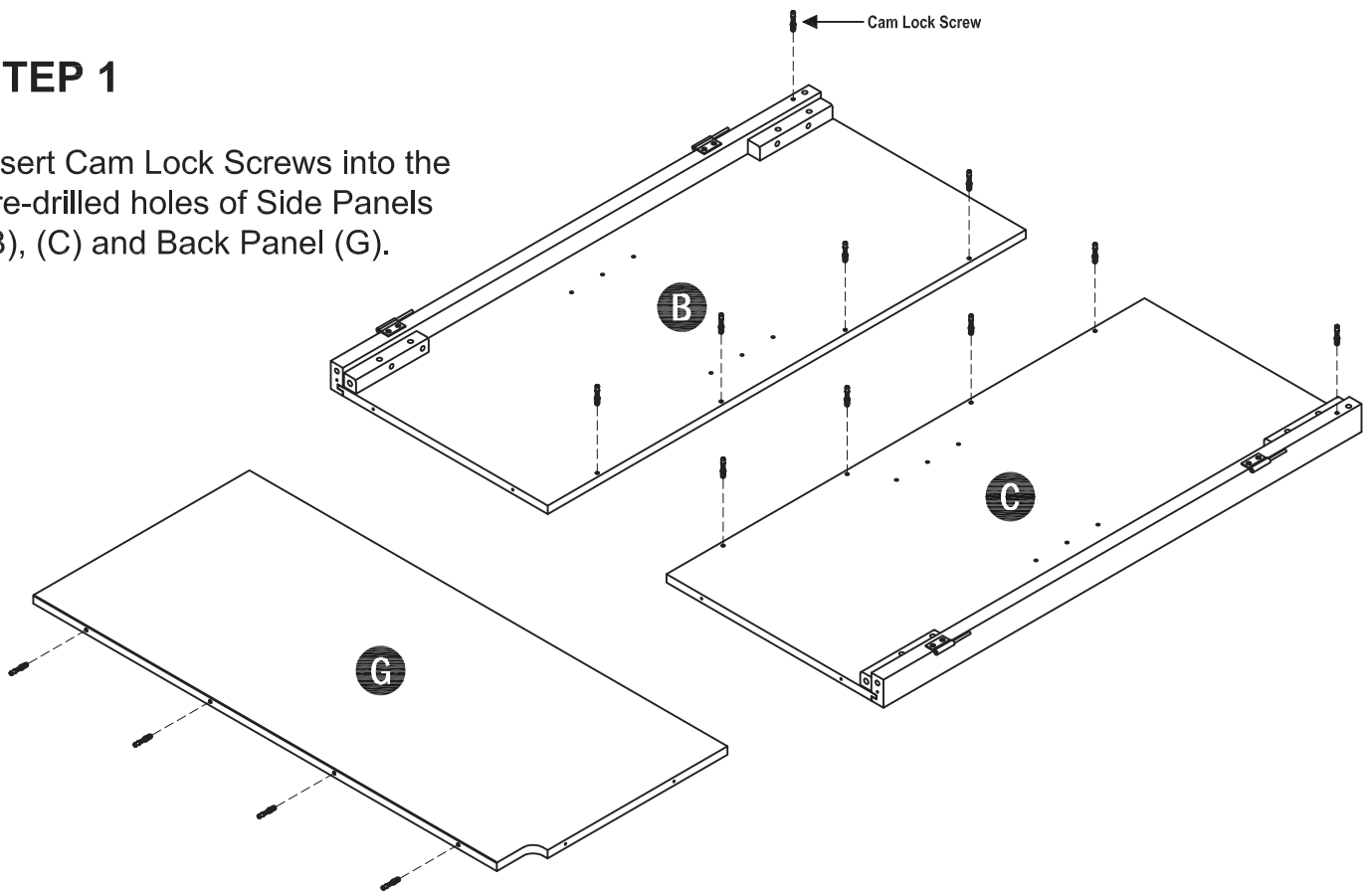
**Home Styles Consumer Assistance:** [www.homestyles-furniture.com](http://www.homestyles-furniture.com),  
[servicedesk@homestyles-furniture.com](mailto:servicedesk@homestyles-furniture.com), 888-680-7460, 877-831-0319

## IMPORTANT

- \* Do not tighten up all the screws until each part is properly assembled.
- \* Use a soft cloth between these parts and the floor.

## STEP 1

Insert Cam Lock Screws into the pre-drilled holes of Side Panels (B), (C) and Back Panel (G).



## STEP 2

Attach Magnets to Front Piece (D) and Bottom (E) using 1/2" Round Head Screws. (See Figure 1)

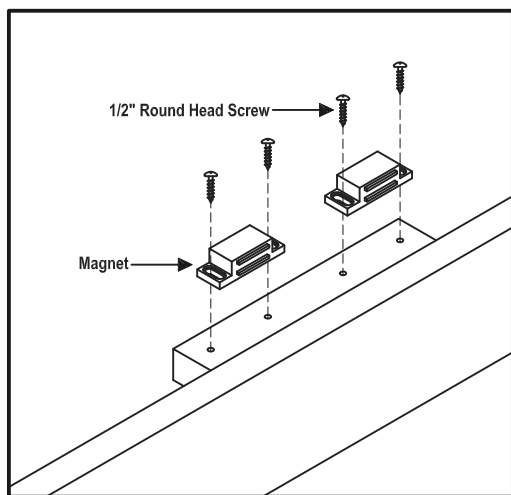
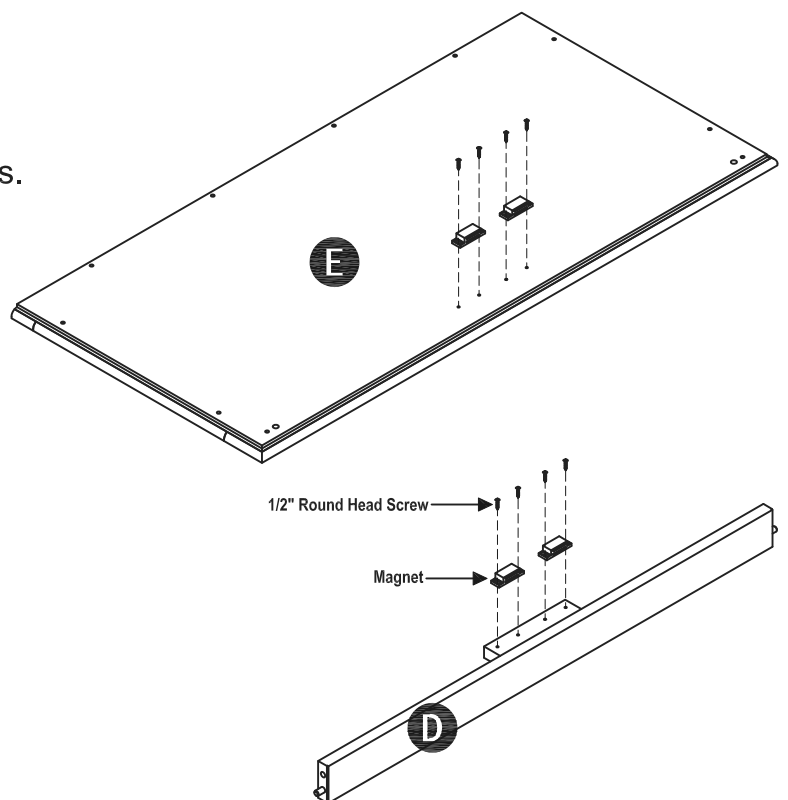


Figure 1



## STEP 3

Attach Back Panel (F) to Back Panel (G) with Cam Locks.  
(See Figure 2)

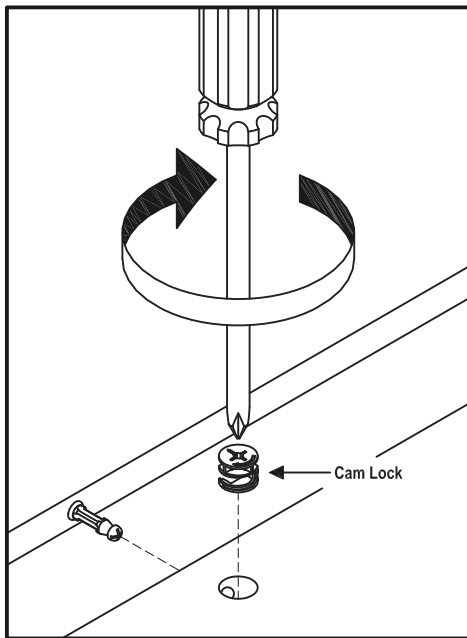
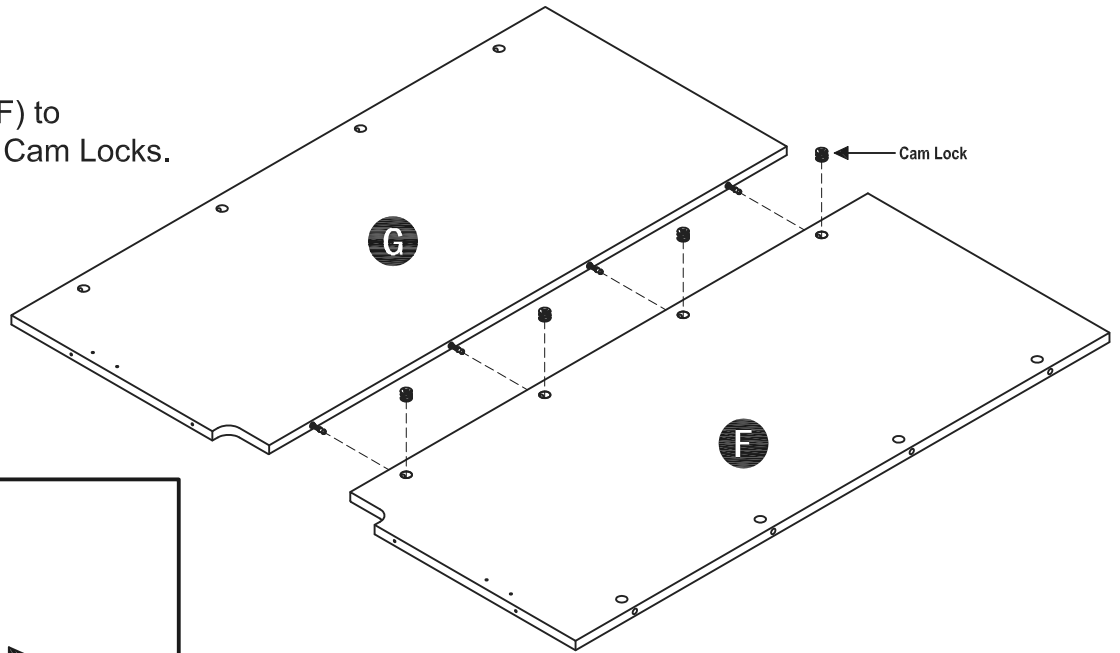
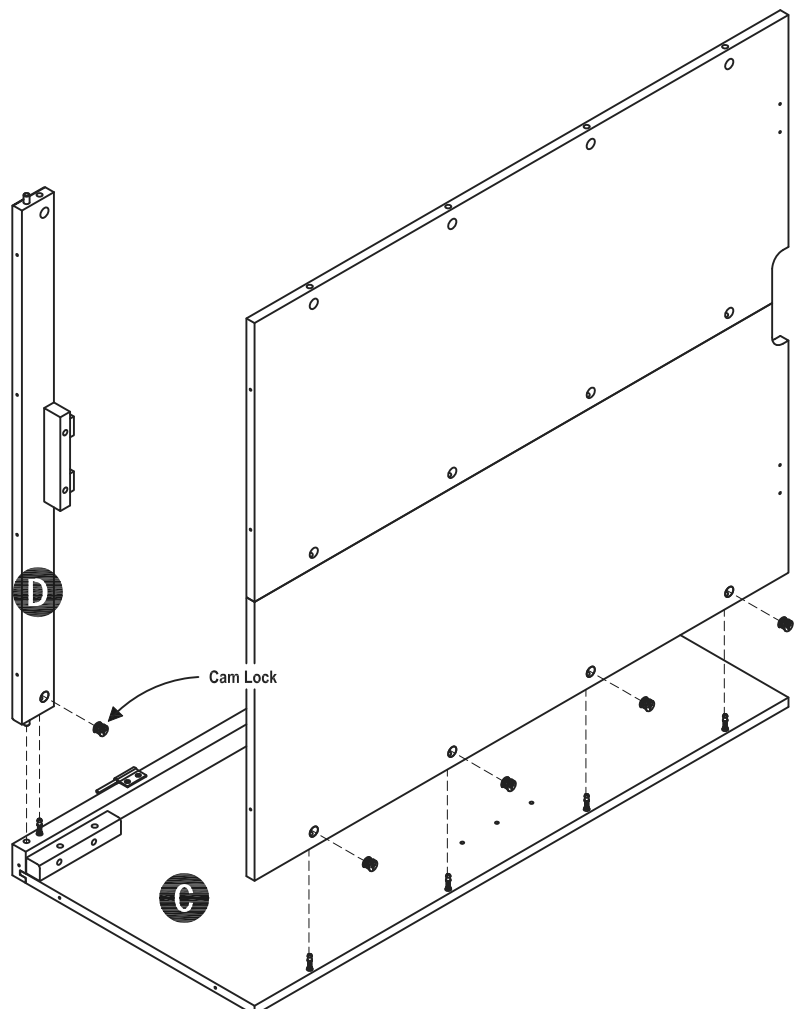


Figure 2

## STEP 4

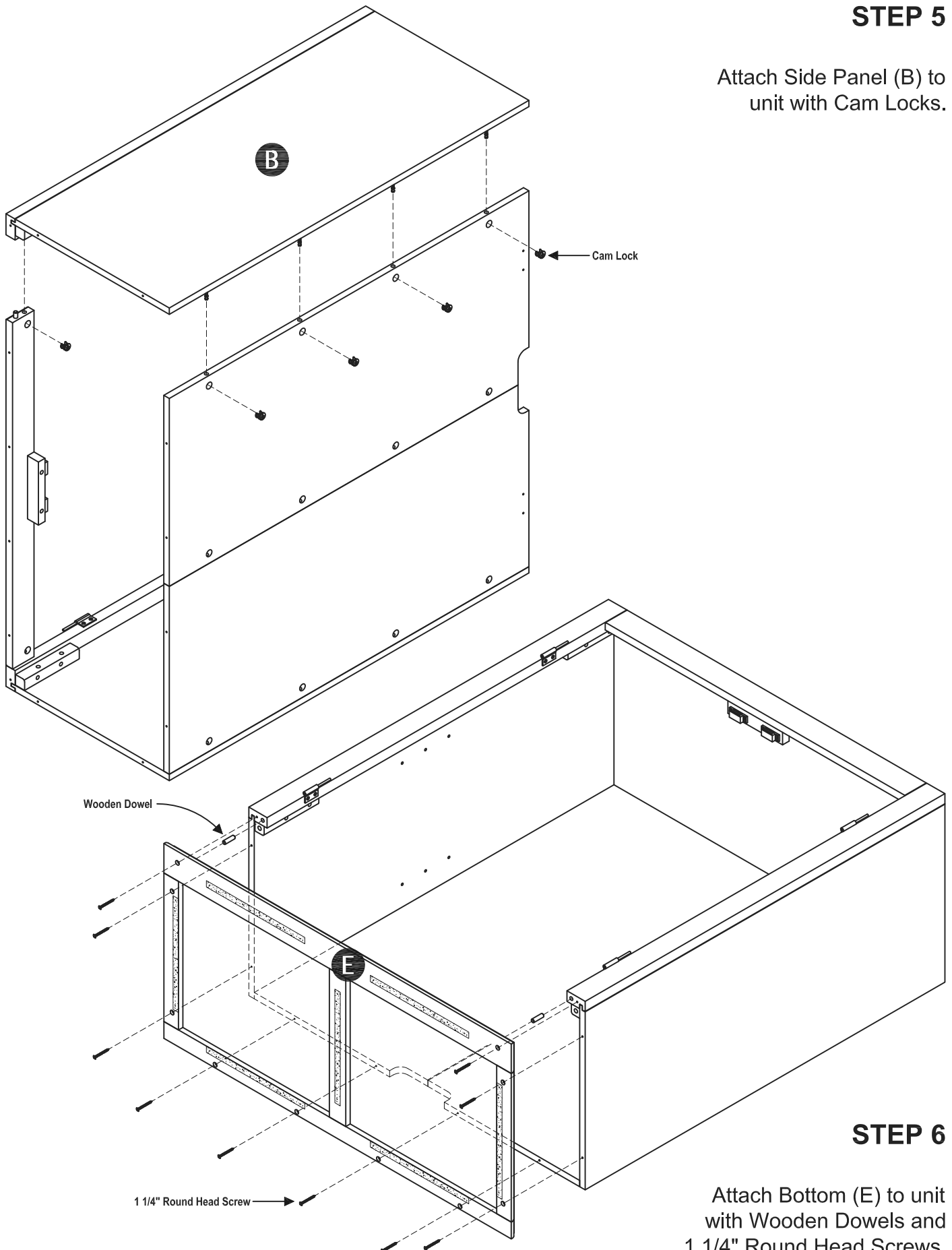
Attach unit and Front Piece (D) to Side Panel (C) with Cam Locks.

**Note :** To help prevent the back panel unit from cracking, use two people to assemble.



**STEP 5**

Attach Side Panel (B) to unit with Cam Locks.



**STEP 6**

Attach Bottom (E) to unit with Wooden Dowels and 1 1/4" Round Head Screws.

**STEP 7**

Attach Doors (I) and (J) by sliding the door lift hinges into the side panel lift hinges. (See Figure 3)

Attach Top (A) to unit with 1" Round Head Screws.

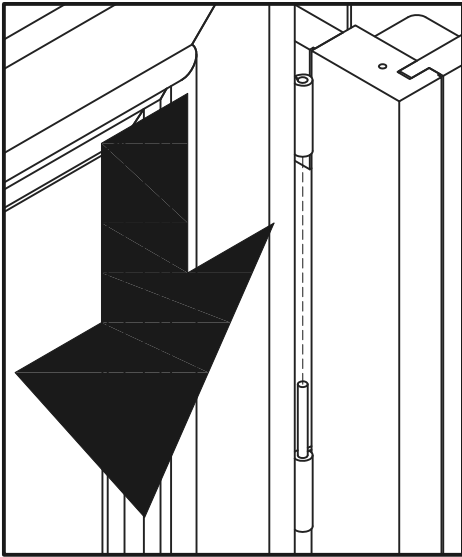


Figure 3

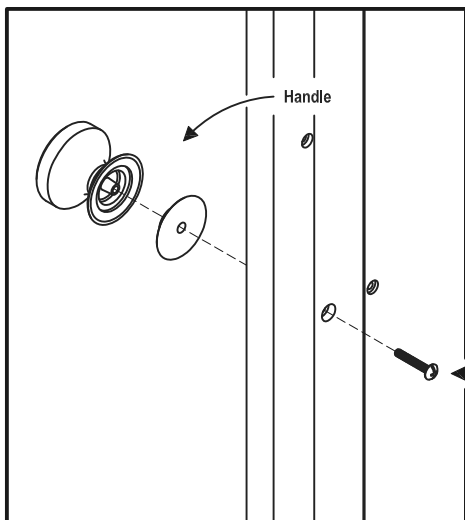
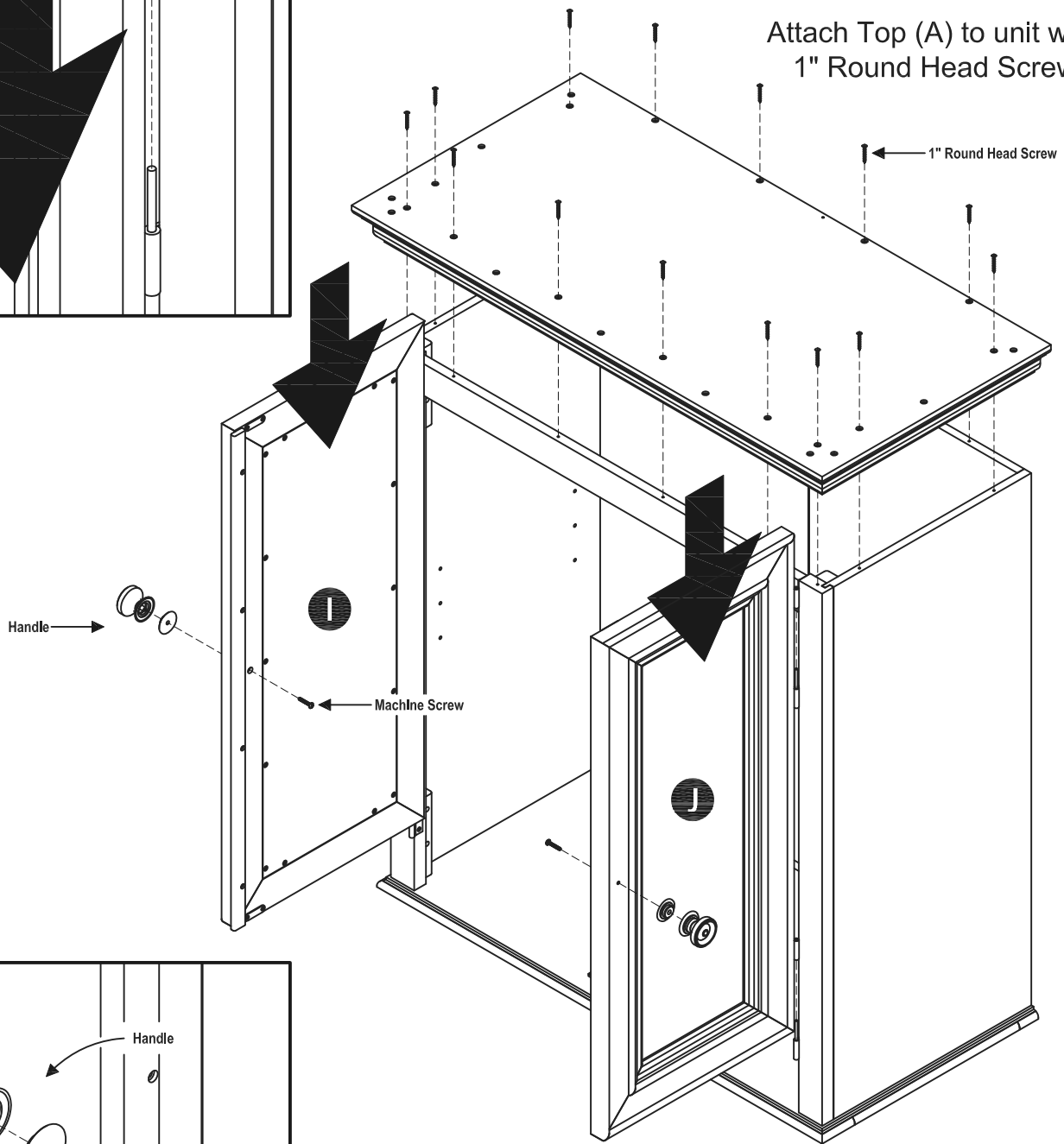


Figure 4

**STEP 8**

Attach Handles to Doors (I) and (J) with Machine Screws. (See Figure 4)

## STEP 9

Insert Adjustable Pins into Side Panels at the desired level.  
(See Figure 5)

Place Shelf (H) into position.

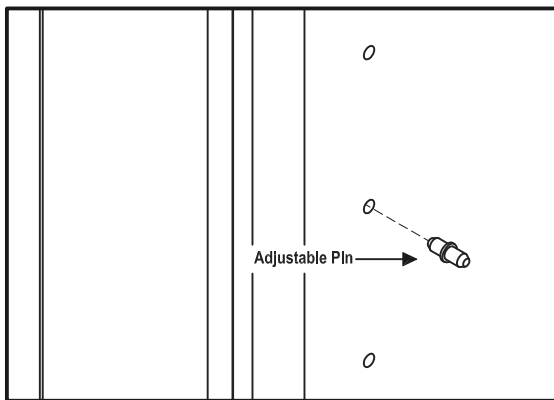
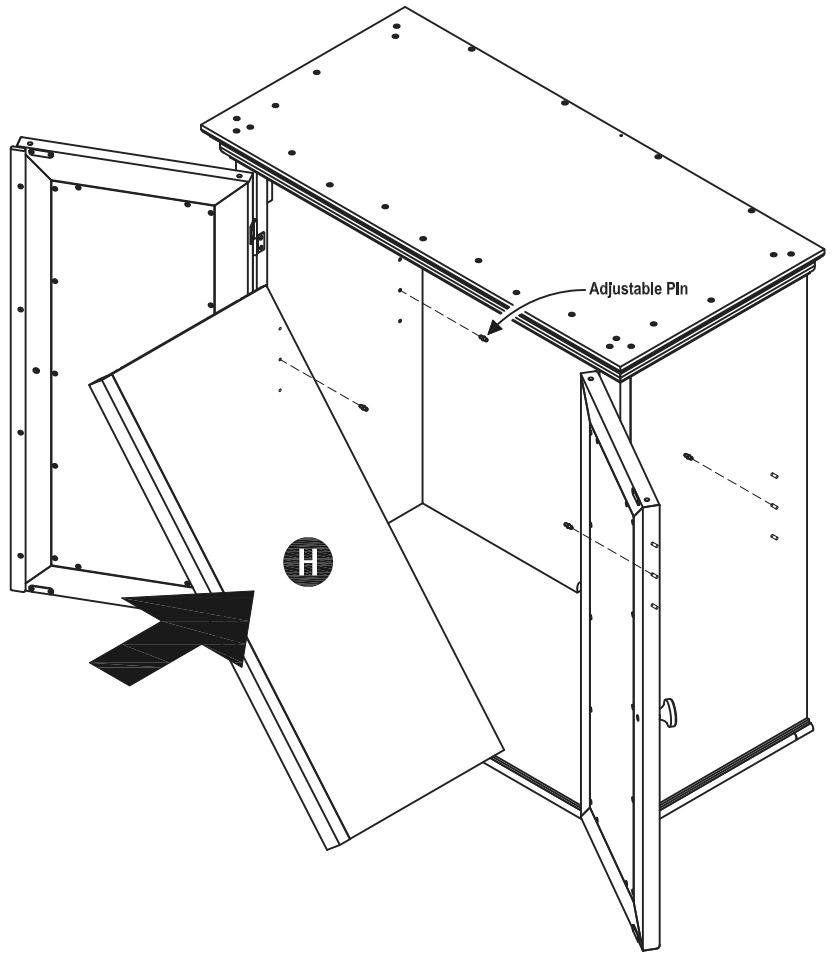


Figure 5



## STEP 10

Place unit on Chest and attach Connectors using 5/8" Flat Head Screws to join the units.  
(See Figure 6)

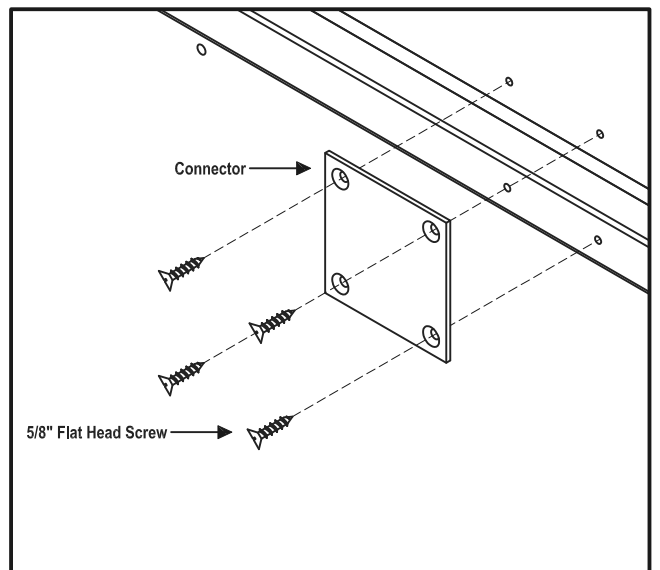
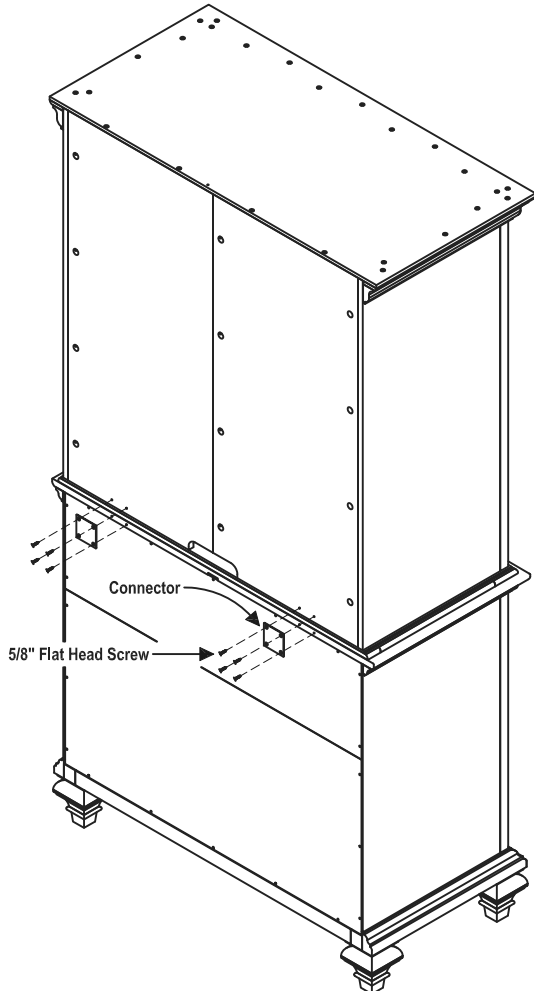


Figure 6

## ATTENTION!

For safety reasons, please follow these instructions to prevent the unit from tipping over.

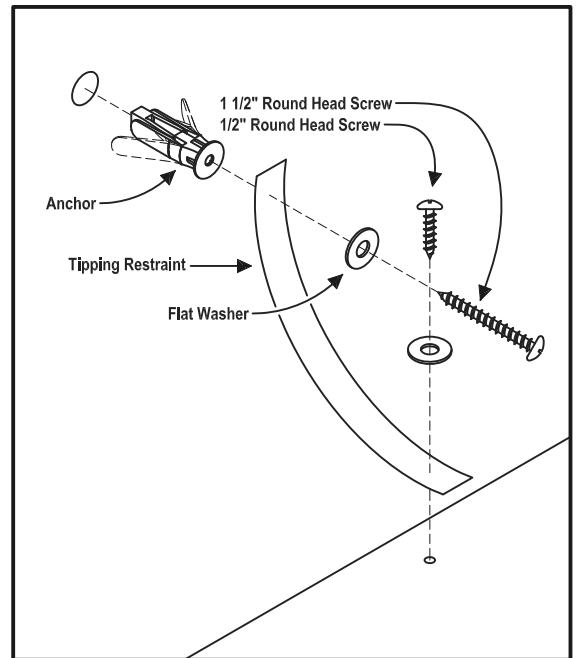
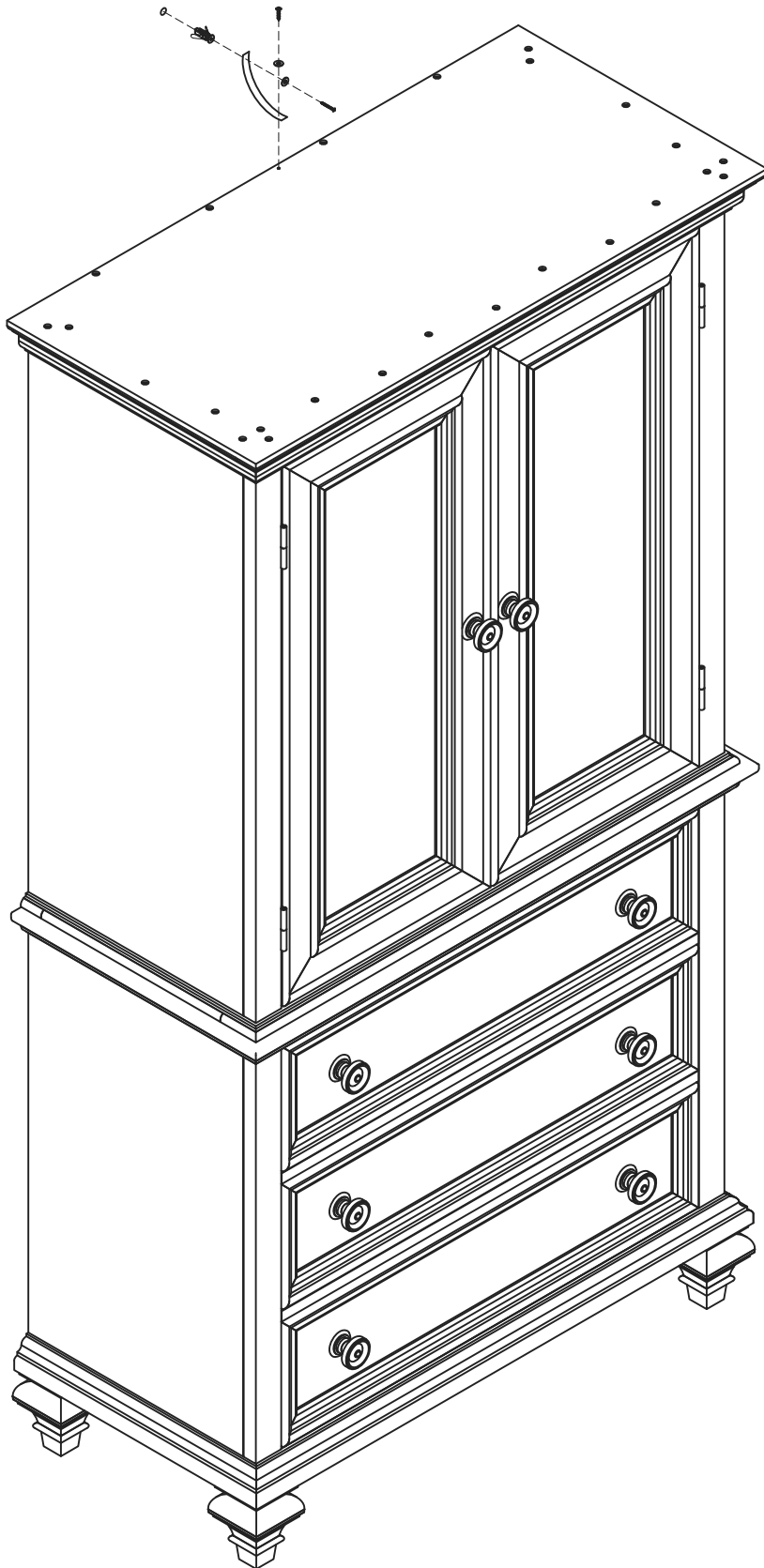


Figure 7

Place the cabinet at desired location in room.

Drill a 1/2" hole in wall at the appropriate location.

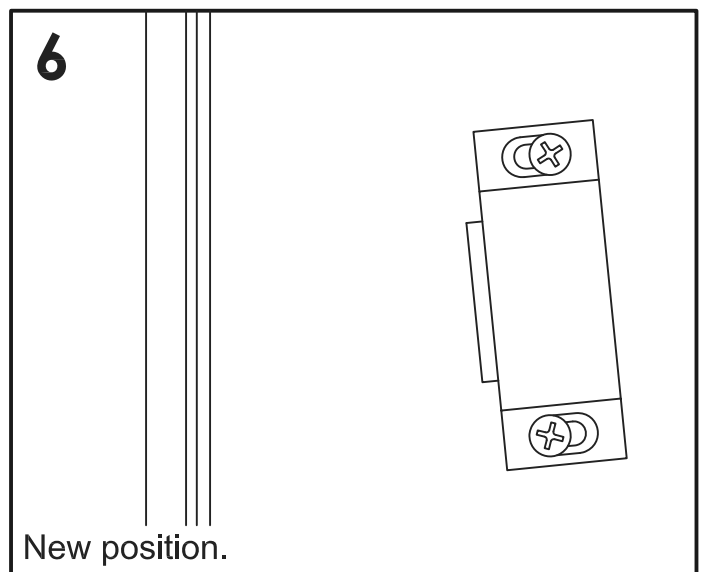
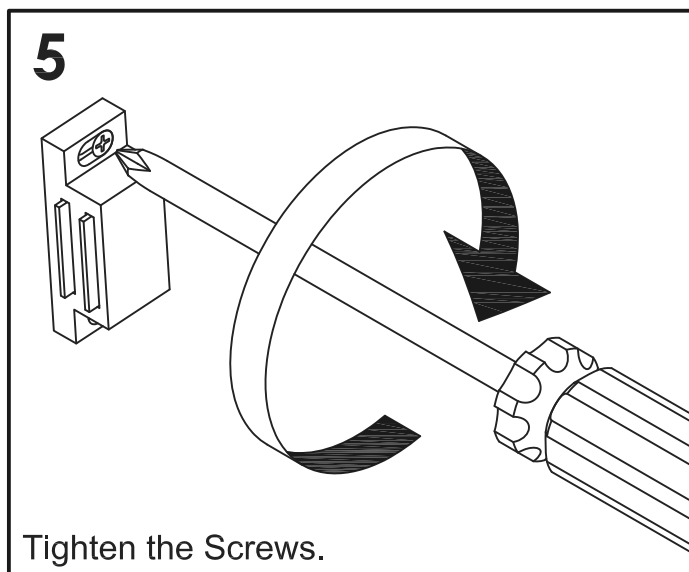
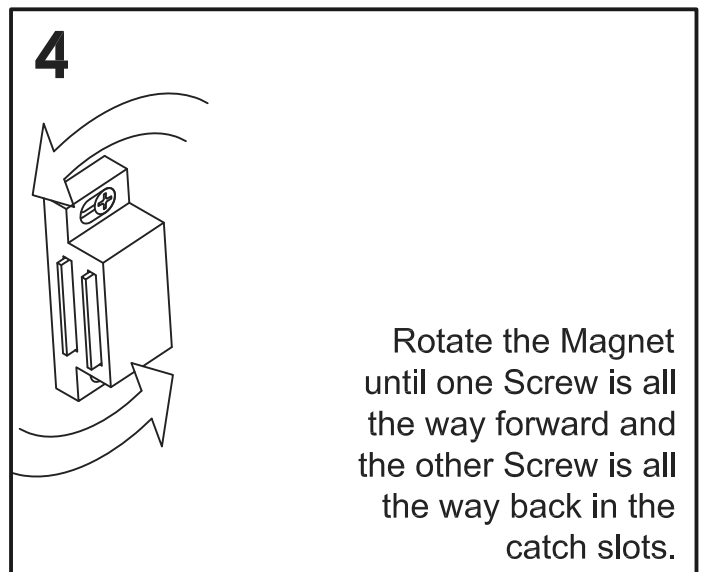
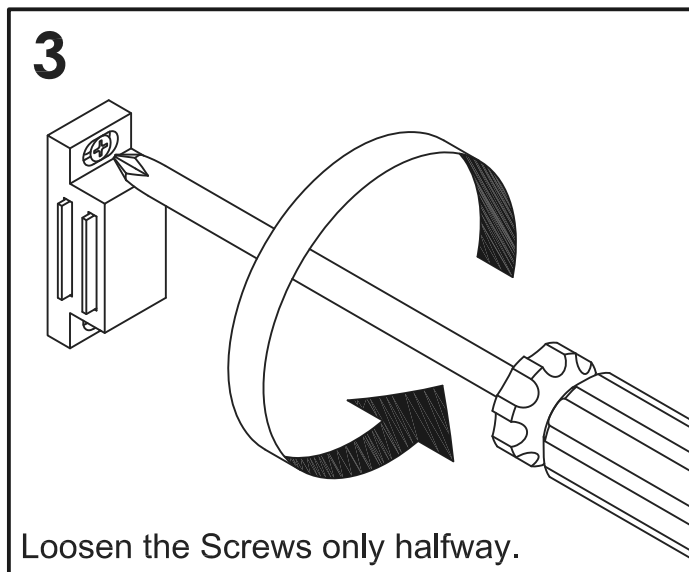
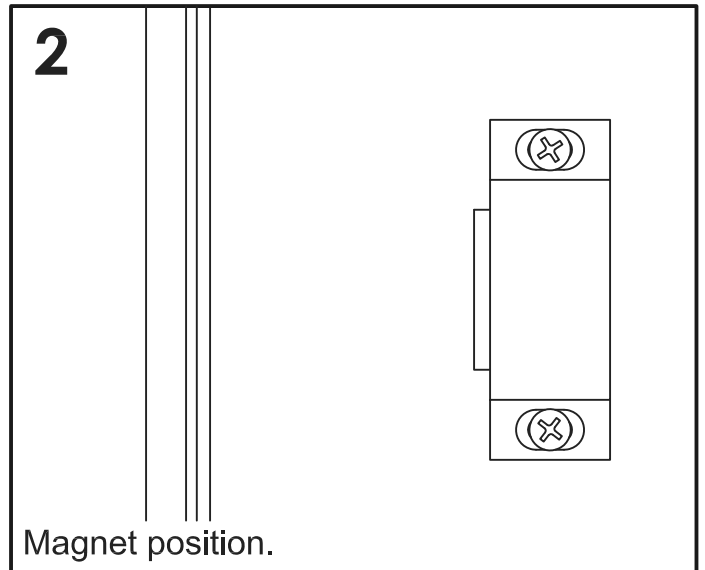
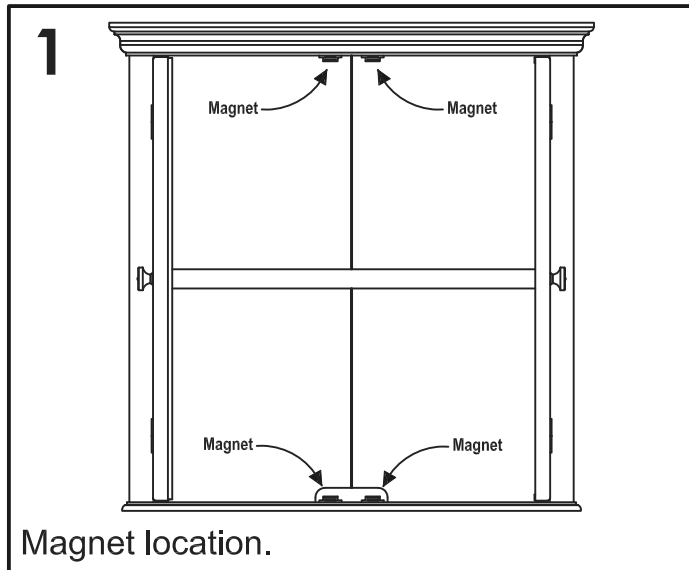
Insert the Anchor into the wall hole and attach Tipping Restraint to the wall using 1 1/2" Round Head Screw and Flat Washer.

Screw Tipping Restraint to unit using 1/2" Round Head Screw & Flat Washer.  
(See Figure 7)

# Assembly Instructions 8/8

## IMPORTANT NOTICE

\* If the magnetic door catches are too strong and the door difficult to open, the magnetic power can be reduced and the door made easier to open by doing the following:





# VERY IMPORTANT !!

## CARE INSTRUCTIONS

### NEVER

USE GLASS CLEANERS ON FINISHED FURNITURE. AMMONIA WILL CHEMICALLY ATTACK THE FINISH.

### NEVER

ALLOW LIQUIDS OF ANY KIND TO REMAIN ON THE FURNITURE. ABSORPTION CAUSES PART TO WARP AND SPLIT AND FINISHES TO DELAMINATE.

DO NOT WRITE DIRECTLY ON SURFACE.



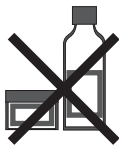
**PREVENT MARKING**

DO NOT PLACE IN DIRECT SUNLIGHT.



**PREVENT FADING**

DO NOT USE COMMERCIAL WAXES AND POLISHES.



**PREVENT YELLOWING**

DO NOT PLACE HOT OBJECTS ON SURFACE.



**PREVENT FINISH DAMAGE**

DO NOT USE RUBBER BASED PLACE MATS.



**PREVENT DISCOLORING**

## TO CLEAN

USE A SOFT CLOTH MOISTENED IN LUKEWARM SOAP AND WATER, THEN BUFF WITH A DRY CLEAN CLOTH.



Home Styles will provide replacements free of charge for missing or damaged hardware or parts within 30 days of purchase. Digital images of the defective parts may be required. If this product was not purchased from an authorized retail affiliate, Home Styles is under no obligation to provide replacement parts. Parts are not available for fully assembled items nor are parts available for sale. Replacements for missing or damaged hardware or parts may be requested at:

[www.homestyles-furniture.com/customer\\_service](http://www.homestyles-furniture.com/customer_service)

**Home Styles Consumer Assistance:** [www.homestyles-furniture.com](http://www.homestyles-furniture.com),  
[servicedesk@homestyles-furniture.com](mailto:servicedesk@homestyles-furniture.com), 888-680-7460, 877-831-0319