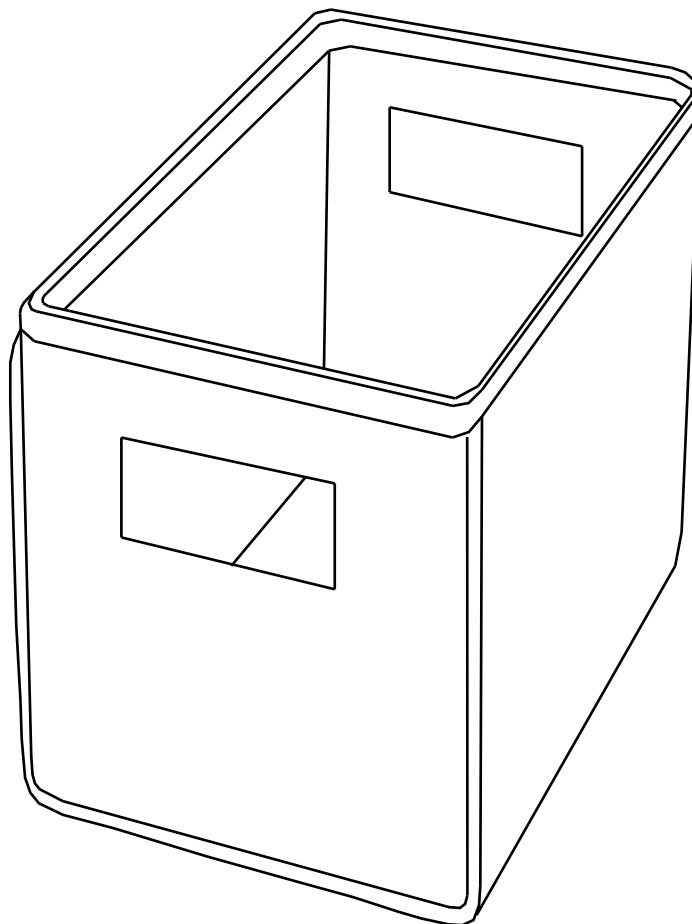


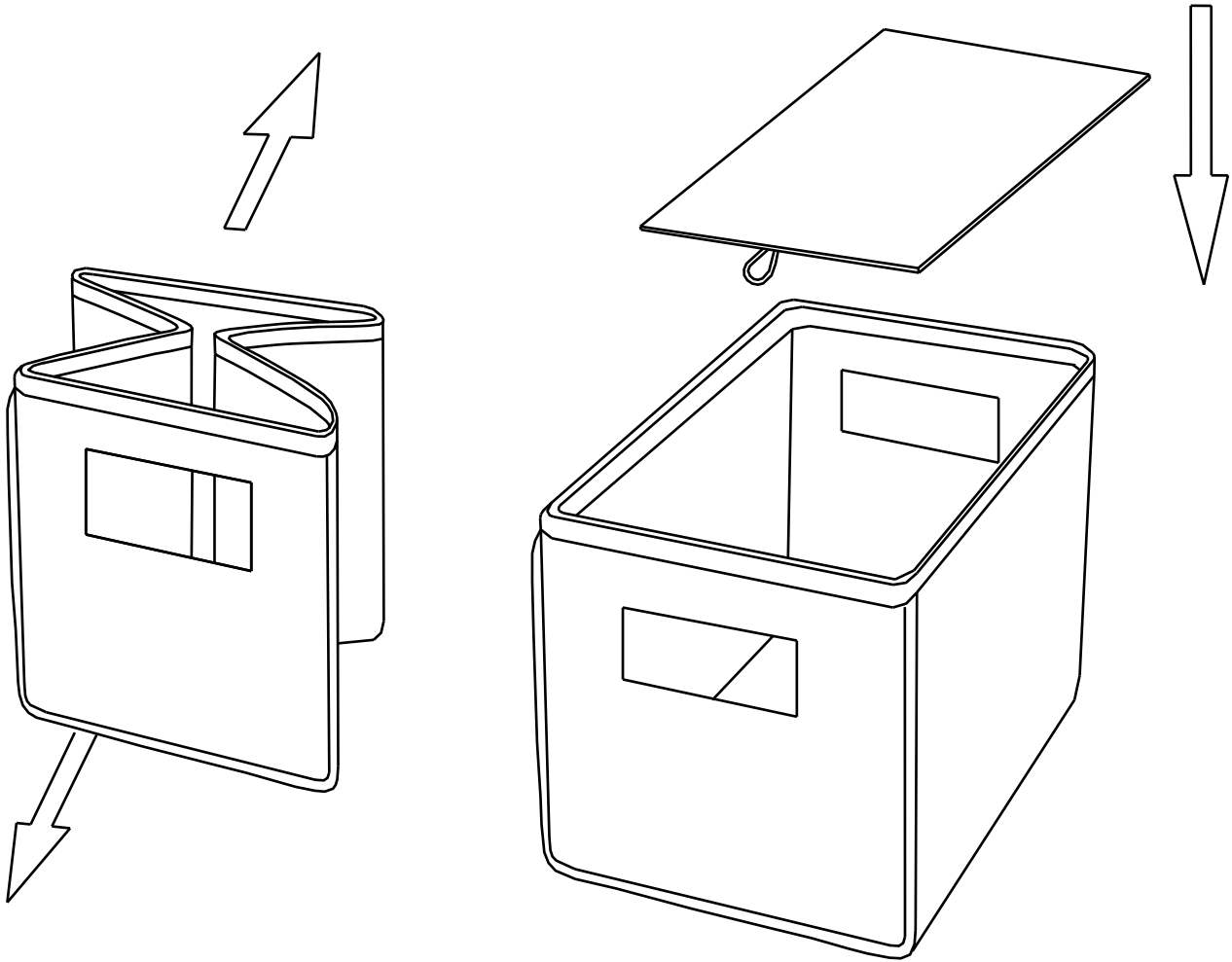


## **ASSEMBLY INSTRUCTIONS**



**RiverRidge® Kids Two Piece Folding Storage Bin**

**ADULT ASSEMBLY REQUIRED**



1. Take the bottom board out from the folded soft bin.
2. Open the folded storage bin, then put the bottom board into the soft bin. (making sure the cloth tab is facing up)

Thank you for purchasing this RiverRidge® Home item. We hope you enjoy it and consider purchasing other RiverRidge® items.

To order replacement parts at no cost to you, email [customer.service@ssi-rr.com](mailto:customer.service@ssi-rr.com), call 1-(844)-223-5201 or order parts online at [www.riverridgehome.com](http://www.riverridgehome.com)



RiverRidge® is a registered trademark of Sourcing Solutions, Inc., Hudson, WI 54016