



Providence Arbor

Model# 11178 (M) Assembly Instructions

General Information

PLEASE READ THROUGH BEFORE BEGINNING ASSEMBLY.

IMPORTANT: Check boxes for Contents Listed

Check inside of parts as some parts are packaged inside of others

In the event of missing, damaged or defective parts please call our customer service dept. at 1-877-258-6020

When assembling components, place on a clean, flat non-abrasive surface to avoid scratches

Tools Required

- ... Battery or Electric Drill with #2 phillips bit
- ... Tape Measure
- ... Hammer or Rubber Mallet (recommended)

<u>Part #</u>	<u>Description</u>	<u>Qty</u>
1	2" sq. x 84" Left Post	2
2	2" sq. x 84" Right Post	2
3	7/8 x 1 1/2 x 22" Top/Bottom Cross Rail	4
4	7/8 x 1 1/2 x 22" Center Cross Rail	16
5	1/4 x 1 1/2 x 59 1/2" Vertical Slat	4
6	1 1/2 x 4 x 64" Arbor Top	2
7	7/8 x 1 1/2 x 28" Arbor Top Cross Rail	7
8	7/8 x 1 1/2 x 16" Corner Brace	4
9	5 3/8" Arbor Top End Cap	4
10	14" Ground Anchor	4
11	Hardware Bag (includes:)	1
	2" sq. Post Cap	4
	7/8 x 1 1/2" End Cap	14
	1 1/4" Painted Screw	38
	Super Glue Tube	1
	#8 - 1" Painted Self Tapping Screw (for ground anchors)	8

Warranty Statement

20 Year Guarantee

Please call manufacturer direct with questions concerning missing or defective parts at Toll Free: 877-258-6020.

Dura-trel, Inc. products are warranted to be free from manufacturing defects resulting in delaminating, peeling, flaking, corroding, cracking, crazing, or extreme amounts of fading or bleaching causing the PVC to change to its natural color for a period of 20 years from the date of purchase.

Normal weathering is defined as exposure to sunlight and extremes of weather and atmosphere which will cause any colored surface to gradually fade.

CONDITIONS NOT COVERED BY THIS WARRANTY:

- A. Physical abuse, misuse, neglect, or improper storage.
- B. Improper installation or installation not in strict adherence to the instructions written by Dura-Trel, Inc.
- C. This warranty does not apply if materials are painted, varnished, or coated with any substance.
- D. Dura-Trel, Inc. is not responsible for damages to product during shipping.
- E. Damage attributable to atmospheric pollutants, hail, lightning, hurricane, tornado, wind borne objects, earthquake, fire, mildew, casualty, act of God, building or ground settlement, or subjection to stress or weight.

CLAIMS AND REMEDIES:

If a Dura-Trel, Inc. product is determined to have a manufacturing defect which is covered by this warranty, Dura-Trel, Inc. will replace the material containing the defect (labor not included) F.O.B from the point of manufacture. Dura-trel, Inc. will not be responsible for any cost incurred in the removal or reinstallation of the product.

Important: An claims must be sent to the following address and should describe the defect claim.

Dura-Trel, Inc., P.O. Box 122, Sheboygan Falls, WI 53085

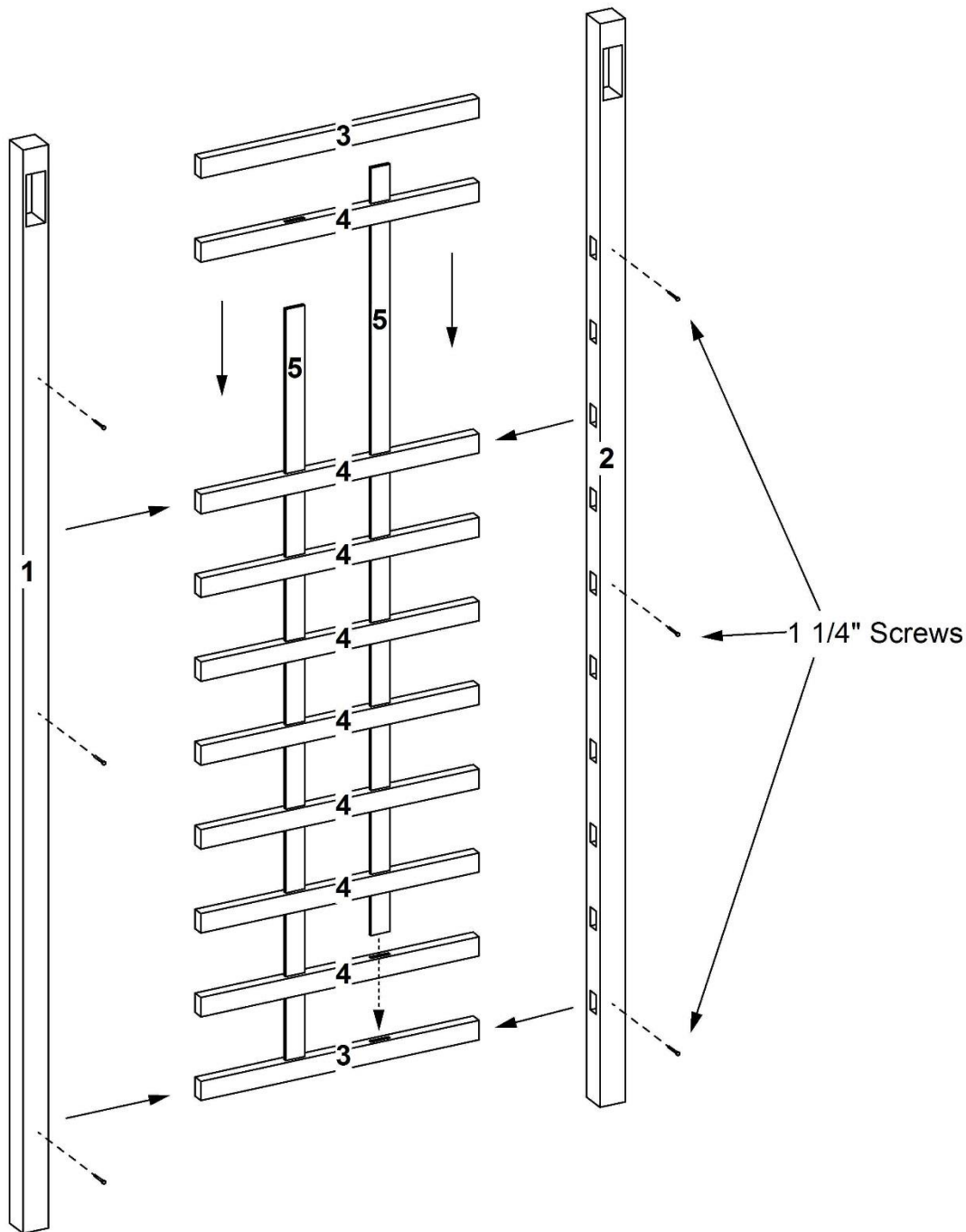
Dura-Trel, Inc. reserves the right to discontinue or change its design, and or color. If the original color or style is not available, Dura-Trel, Inc. shall have the right to substitute a product designated by Dura-Trel, Inc.

Dura-Trel, Inc. shall not be liable for any incidental, special, or consequential damages arising out of the use of these products



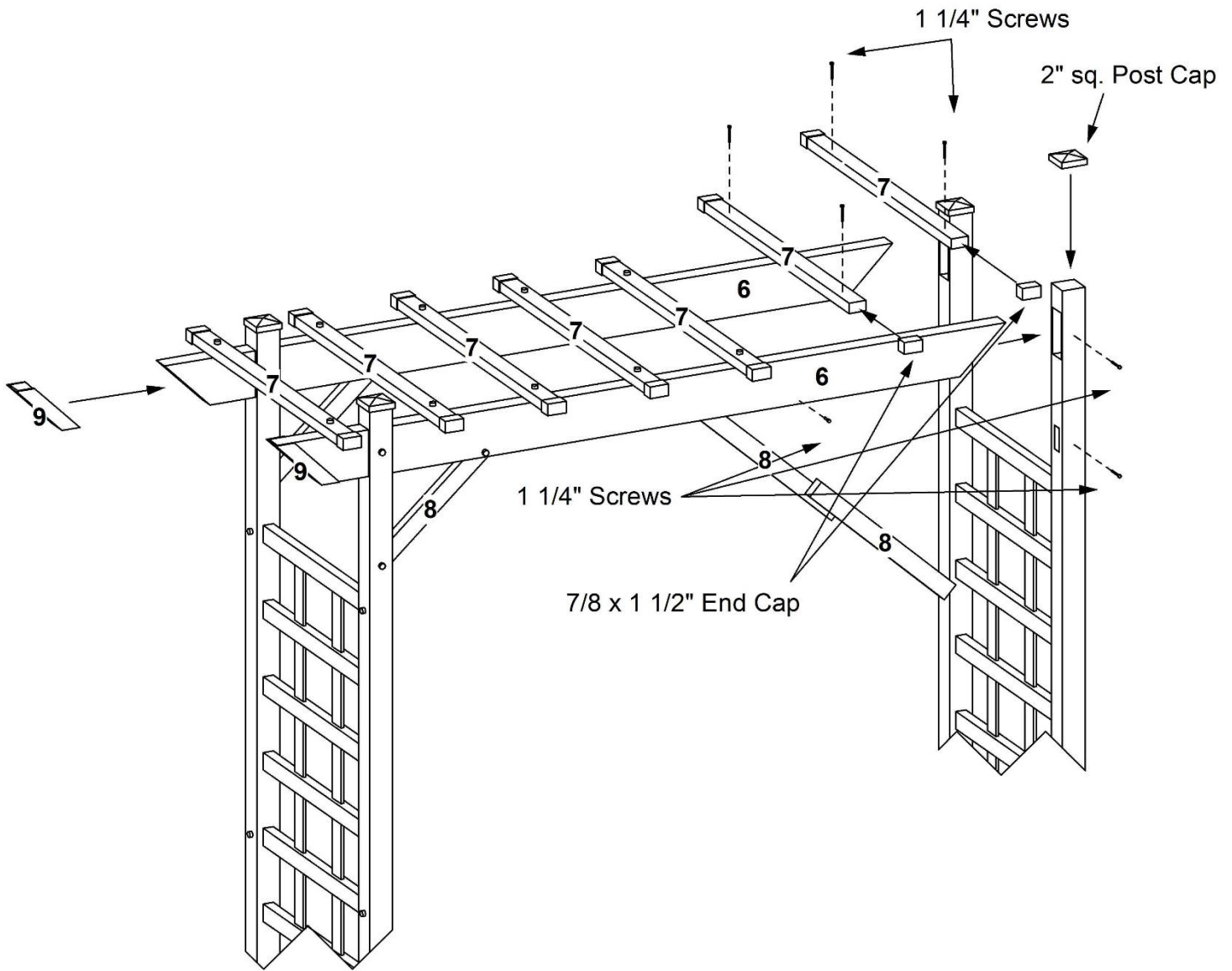
150 Birch Road
P.O. Box 122
Sheboygan Falls, WI 53085

1-877-258-6020
www.dura-trel.com
sales@dura-trel.com



Starting at bottom of 84" left post (part 1) insert one 22" top/bottom cross rail (part 3) and eight 22" center cross rails (part 4) into holes. DO NOT insert remaining top/bottom cross rail into top hole at this time. Insert free ends of cross rails into 84" right post (part 2). Slide two 59½" vertical slats (part 5) through each center cross rail and into bottom cross rail. Separate top of posts just enough to insert remaining 22" top/bottom cross rail (part 3) into top hole of each post, inserting free end of vertical slats into top cross rail. Using three 1¼" screws per post, fasten together arbor side. Be sure all parts are fully inserted into posts before securing.

REPEAT using remaining posts and cross rails to make second arbor panel.



Insert two 16" corner braces (part 8) into each 64" arbor top (part 6). Slide ends of arbor top rail through holes at top of post, inserting corner braces into posts. Measure 9 inches from tips of arbor top rails and slide posts so outside of post in 9 inches from end of arbor top rails. Using three 1 1/4" screws per post, fasten together posts, arbor top rails and corner braces.

Using two 1 1/4" screws per part, fasten all seven arbor top cross rails (part 7) to arbor top rails, using small pilot holes to line up screws.

Using included super glue tube, glue 7/8 x 1 1/2" end caps onto ends of each arbor top cross rail. Glue four 5 3/8" arbor top end caps (part 9) onto ends of arbor top rails. Glue four 2" sq. post caps onto tops of post.

Figure 1

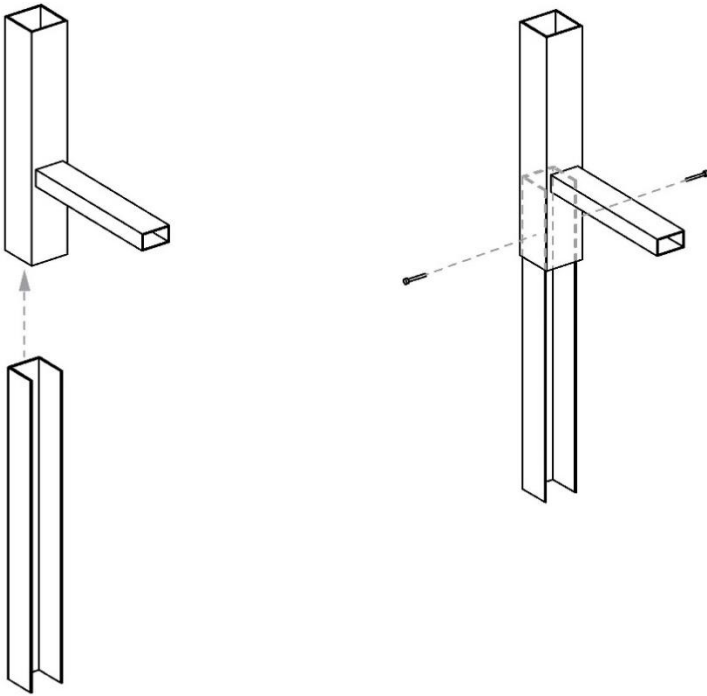
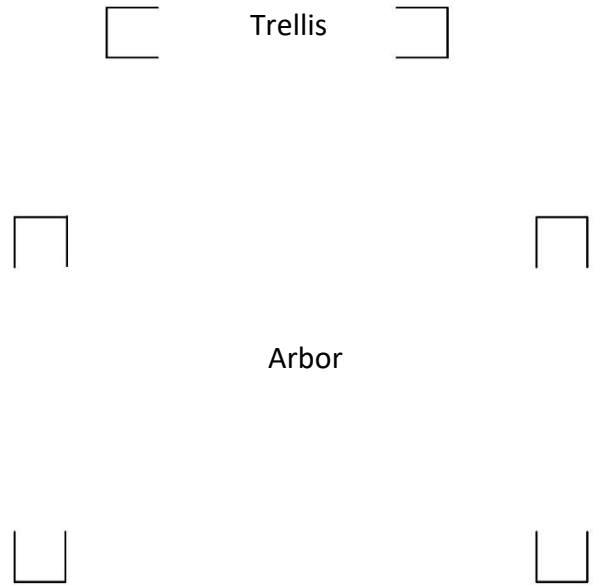


Figure 2



Option 1 (soft ground)

Slide one 16 inch ground anchor into bottom of each post. Slide ground anchor up to bottom cross rail. Using two 1 inch self-tapping screws per post, screw the post to the ground anchor (figure 1). When fastening, use one screw on each opposite side as shown in the drawing. Once ground anchors are attached to posts, push trellis/arbor into ground. This method can also be used for installation into hard ground if area thoroughly drenched with water.

Option 2 (hard ground)

Measure distances between posts and mark ground accordingly. Pound 16 inch ground anchor into ground according to measurements and basic layout (figure 2), leaving about 4 inches of ground anchor exposed. When pounding into ground, use a block of wood to prevent ground anchor from cracking.

Slide trellis/arbor over ground anchors. Using two 1" self-tapping screws per post, screw the post to the ground anchor (figure 1). When fastening, use one screw on each opposite side as shown in the drawing.

Option 3 (permanent installation)

Measure distances between posts and mark ground accordingly. Dig holes 12 inches according to measurements and basic layout (figure 2). Fill with cement and place 16 inch ground anchor in wet cement. Be sure that ground anchors are straight and in accordance with measurements of trellis/arbor posts. Allow cement to dry. NOTE: There is very little room for error with this installation method.

Slide trellis/arbor over ground anchors. Using two 1" self-tapping screws per post, screw the post to the