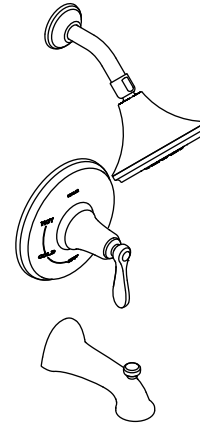


**BATH & SHOWER SET
K-R45783**

Features

- Premium construction
- MasterClean™ spray nozzles prohibit mineral buildup for easy cleaning
- Included K-304 Rite-Temp® pressure-balancing diaphragm design valve
- Heavy duty slip-fit clamp design and NPT threaded spout
- Deluge showerhead provides superior spray coverage



Codes/Standards Applicable

Specified model meets or exceeds the following:

- ASME A112.18.1/CSA B125.1
- ASSE 1016

Colors/Finishes

- BN: Brushed Nickel
- 2BZ: Oil Rubbed Bronze

Accessories

- NA: None applicable

Specified Model

Model	Description	Colors/Finishes	
K-R45783-4	Bath & shower set	<input type="checkbox"/> BN	<input type="checkbox"/> 2BZ
Included Accessories			
K-304-K	Rite-Temp® pressure-balancing valve	<input type="checkbox"/> NA	
Optional Accessories			
1073881	Deep roughing-in kit for K-304 Rite-Temp valve	<input type="checkbox"/> NA	

Product Specification

The bath & shower set shall be made of premium construction. Product shall feature MasterClean spray nozzles to prohibit mineral build-up for easy cleaning. Product shall include K-304 Rite-Temp pressure-balancing diaphragm design valve. Product shall feature deluge showerhead, which provides superior spray coverage. Product shall feature heavy duty slip-fit clamp design and NPT threaded spout. Product shall be Kohler Model K-R45783-4-____.

LINWOOD RITE-TEMP®

Installation Notes

Install the valve trim according to the installation guide.

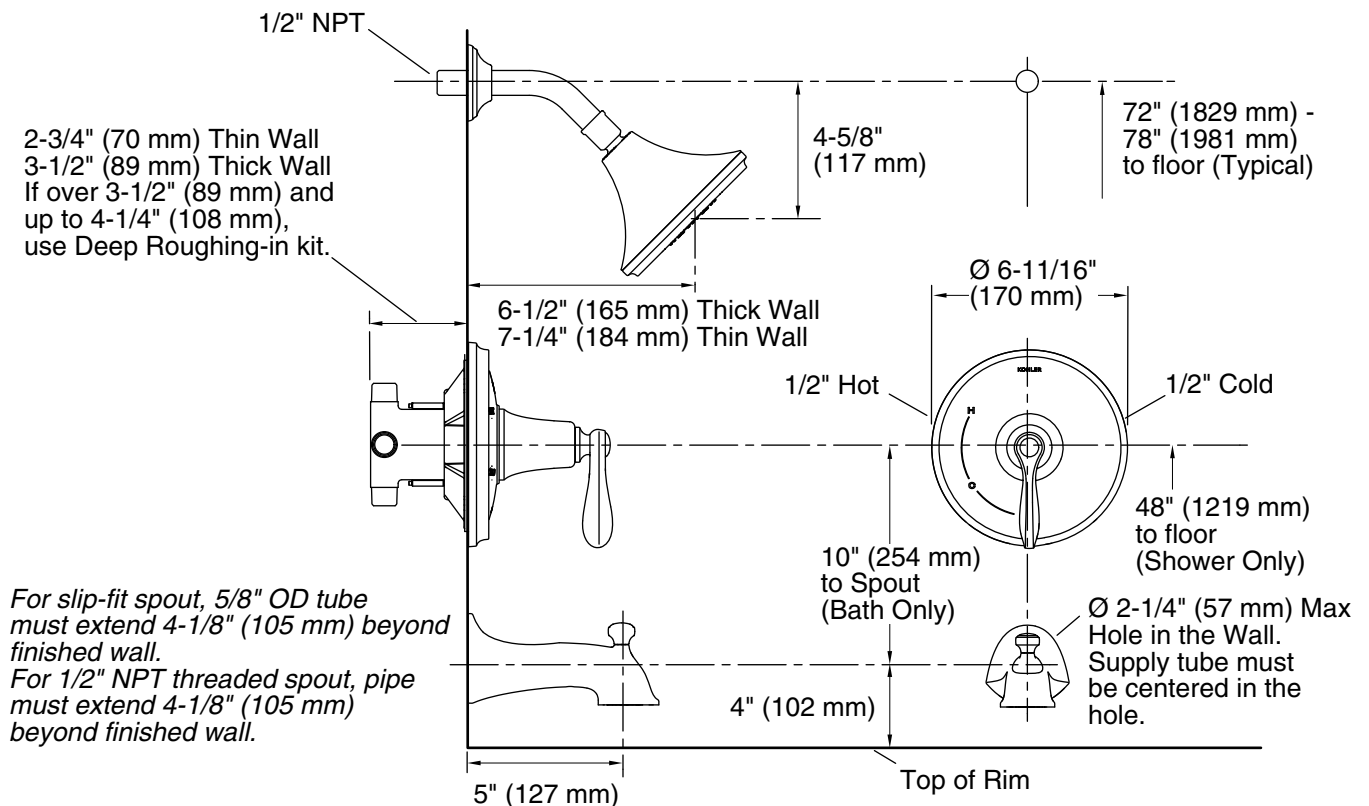
Install the Rite-Temp valve according to the installation guide.

Avoid cross-flow conditions. Do not install a shut-off device on either valve outlet.

Cap the shower outlet if the deck-mounted spout, diverter, or handshower is connected to the spout outlet.

Install a 7" (178 mm) to 18" (457 mm) straight pipe or straight tube with single bath elbow between the valve and the wall-mount spout.

Choose an automatic compensating valve with the appropriate minimum flow rating to assure the safety performance of your valve at the lowest flow rates. For a showerhead or handshower that has a maximum flow rate of 2.5 gpm (9.5 lpm) and a minimum flow rate of 2 gpm (7.6 lpm), use an automatic compensating valves rated at 2 gpm (7.6 lpm) or less.



Product Diagram