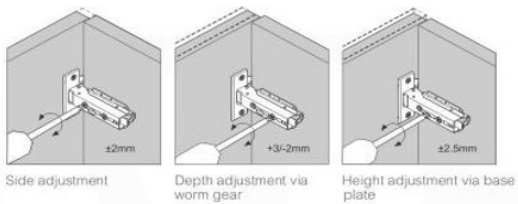
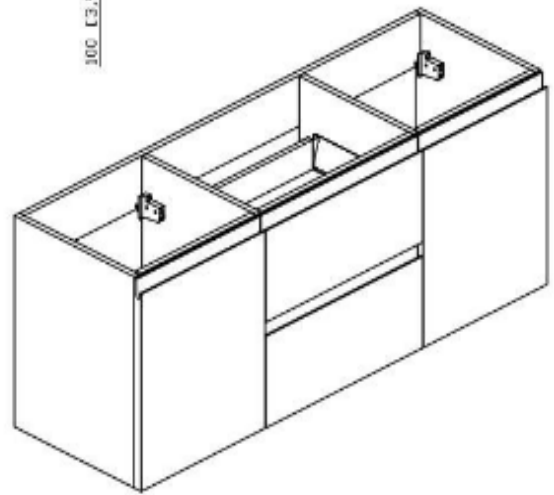
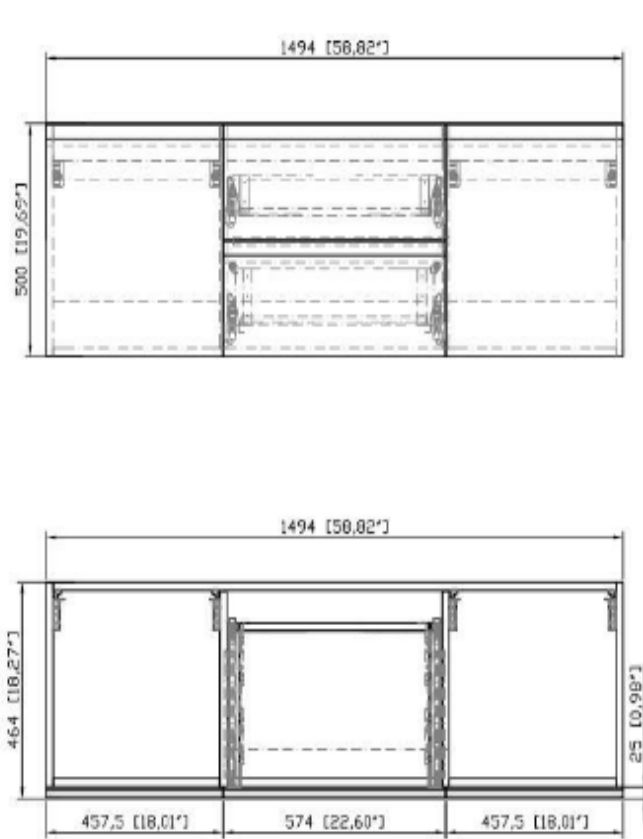


MORENO MOF60" SKU # MOF60



Features:

- Two Functioning Drawers and Two Doors
- Cabinet comes Fully Assembled
- Rich Durable Finish
- Soft closing Hardware on All Doors and Drawers
- Countertop Pre-drilled for a Single Hole Faucet
- Sink has Overflow
- Style: Modern
- 1 Year Manufacturer Warranty



| Dimensions | Width | Depth | Height |
|------------|-------|-------|--------|
| Inches | 59 | 19.75 | 23.5 |