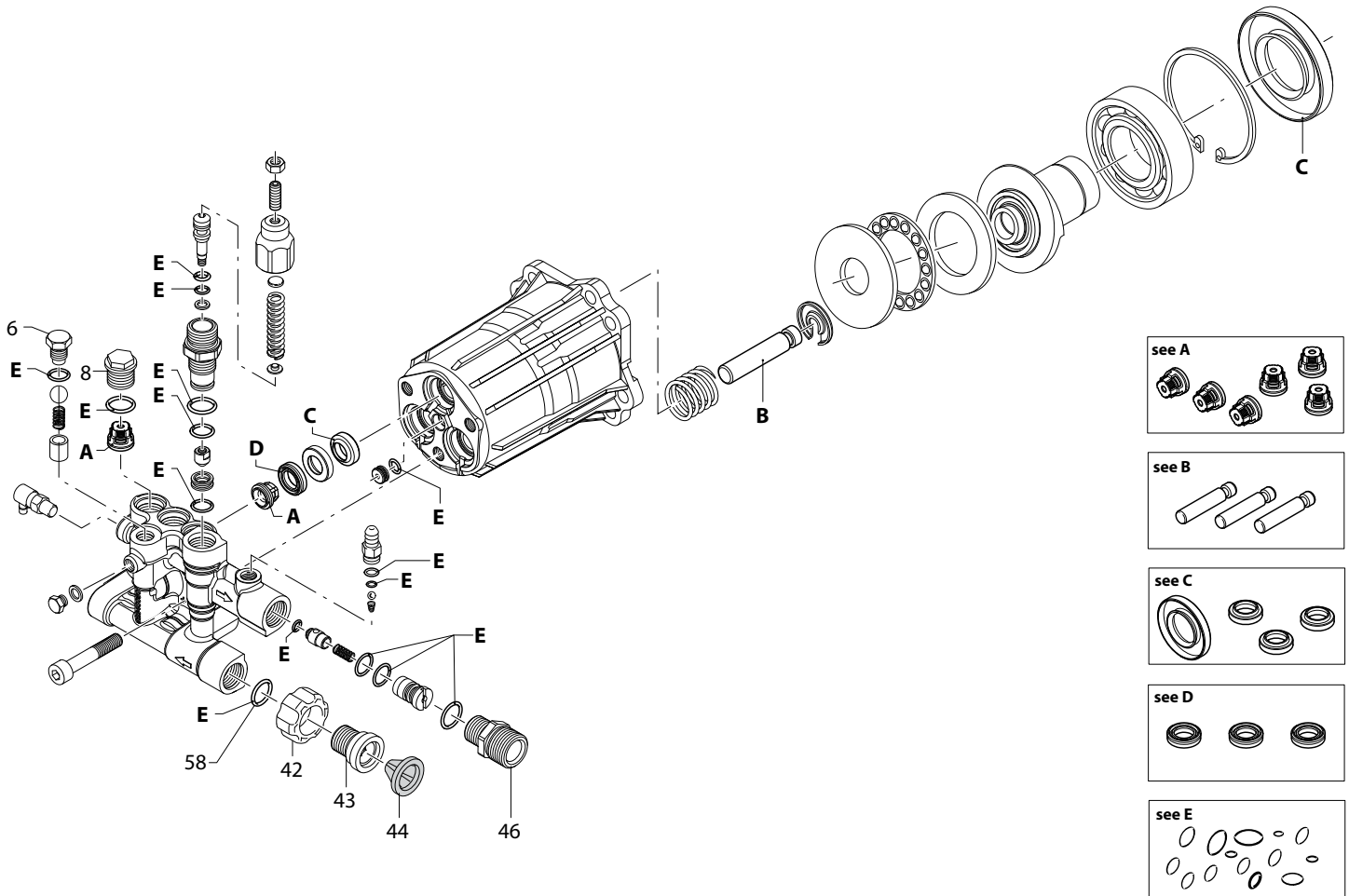


# POWER WASHER PUMP, AXIAL-2.2GPM 2400 PSI – REPLACEMENT PARTS



REF. #	Generac Part #	QTY	Description
	0K1663	1	PUMP, AXIAL 2.2 GPM 2400 PSI
6	0H95650130	1	SCREW
8	0J93750100	3	PLUG
42	0H95650120	1	FITTING (3/4"NH)
43	0H95650121	1	FITTING
44	0H95650122	1	FILTER
46	0H95650123	1	FITTING
58	0H95650124	2	O-RING (14X2)

REF. #	Generac Part #	Description
A	0H95650110	KIT - VALVES
B	0H95650111	KIT - PISTONS
C	0J93750102	KIT - OIL SEALS
D	0H95650113	KIT - WATER SEALS
E	0K16630110	KIT - O-RINGS

**GENERAC®**

Generac Power Systems, Inc.  
 S45 W29290 Hwy. 59  
 Waukesha, WI 53189  
 1-888-GENERAC (1-888-436-3722)

Part No. 0K1663PMNL Printed in USA Rev. A 04/05/13  
 ©2013 Generac Power Systems, Inc. All rights reserved.  
 Specifications are subject to change without notice  
 No reproduction allowed in any form without prior written consent from Generac Power Systems, Inc.

generac.com

**Internal Use Only – Not for Distribution**