

## Dishwashers

FFBD2412S S/M/W/B/Q

### 24" Built-In



### Signature Features

#### Excellent Washing System

Our dual spray arm system gives you a thorough clean every time.

#### Sensor

Automatically adjusts the cycle time based on how much cleaning your dishes need.

#### Energy Saver Plus Cycle

Eco-Friendly cycle uses less energy without compromising cleaning performance.

#### SpaceWise® Silverware Basket

There's a place for all of your silverware in our multi-compartment, removable basket.

### Product Dimensions

Height (Adjustable)	33-1/2" - 35"
Width	24"
Depth (Including Door)	25"

### More Easy-To-Use Features

#### Built with American Pride

Designed, engineered and assembled in the U.S.A.

#### NSF®-Certified

Sanitize cycle removes 99.9% of common household bacteria.

#### ENERGY STAR®-Certified

Maximize your energy and dollar savings with ENERGY STAR®-Certified Appliances.

#### Delay Start

Set your dishwasher to run on your schedule. It can be set to run 2, 4 or 6 hours in advance.

#### Stemware Holders & 2 Cupshelves

Keep cups and glasses organized and in place.

#### Fits up to 14 Place Settings

Cleans 14 place settings in one cycle.

#### Quiet

Run your dishwasher while you're in the same room. It runs at 55 dBA.

#### 5 Wash Cycles

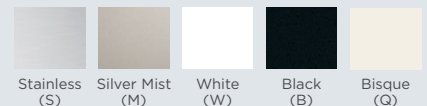
#### 4 Wash Options

ENERGY STAR®

NSF® International Certification



Available in:



Stainless (S)

Silver Mist (M)

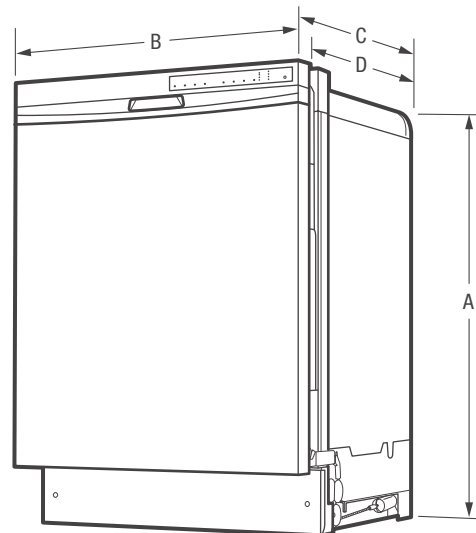
White (W)

Black (B)

Bisque (Q)

Features	
Control Design	Ready-Select®
Digital Display	
Door Latch	Pull Latch
Stay-Put Door Hinge Design	
Low Rinse-Aid Indicator Light	
Interior Design	Tall Tub
Interior Color	White
Wash System	Direct Feed
Wash Levels/Wash Speeds	5/1
Sound Package	Ultra Quiet III
Filter	Plastic
Filter Trap	Removable
Soft Food Disposer	Yes
dB Level	55
Drying System	Effortless™ Dry
Cycles	
Number of Cycles	5
Heavy	Yes
Normal	Yes
Light	Yes
Quick	
Favorite	
China/Crystal	
Rinse Only	Yes
Energy Saver Plus	Yes
Upper Rack Wash Only	
Pots and Pans	
Cycle Indicator Light	
Control Lock	Yes
Options	
Heat/No Heat Dry	Yes
Hi-Temp Wash	Yes
NSF® Certified Sanitize Rinse	Yes
Delay Start	2-4-6 Hour
Rack System	
Rack Design	Better
Rack Coating	PVC
Upper Rack -	
Stemware/Champagne Glass Holders	
Fold-Down Tines	
Cup Shelves	2
Lower Rack -	
SpaceWise® Silverware Basket	Ultra 1
Fold-Down Tines	
Small Items Cover	
Certifications	
ENERGY STAR®	Yes
NSF® International Certification	Yes
Specifications	
Water Inlet Location	Bottom Left
Water Usage (Gallons)	4.9 - 8.5
Water Pressure (PSI)	20 - 120
Integral Air Gap on Supply	Yes
Leveling Legs	4
Power Supply Connection Location	Right Bottom Front
Voltage Rating	120V/60Hz
Connected Load (kW Rating) @ 120 Volts¹	1.20
Amps @ 120 Volts	10.0
Shipping Weight (Approx.)	83 Lbs.

<sup>1</sup>For use on adequately wired 120V, dedicated circuit having 2-wire service with a separate ground wire. Appliance must be grounded for safe operation.



**NOTE:** For planning purposes only. Always consult local and national electric and plumbing codes. Refer to Product Installation Guide for detailed installation instructions on the web at [frigidaire.com](http://frigidaire.com).



Meets requirements of ASSE 1006

Product Dimensions		Cutout Dimensions	
A - Height (Adjustable)	33-1/2" - 35"	Height (Min.)	34-1/4"
B - Width	24"	Height (Max.)	35"
C - Depth (Including Door)	25"	Width (Min.)	24"
D - Depth (To Tub Flange)	22-1/2"	Depth (Min.)	24"
Depth with Door Open 90°	49-1/4"		

Accessories information available on the web at [frigidaire.com](http://frigidaire.com)

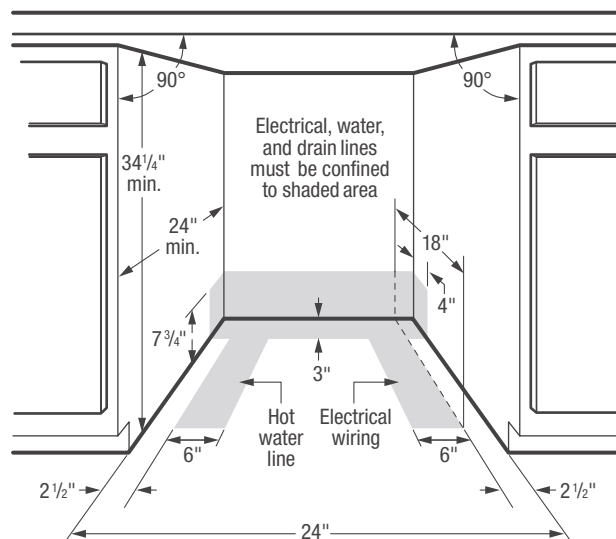
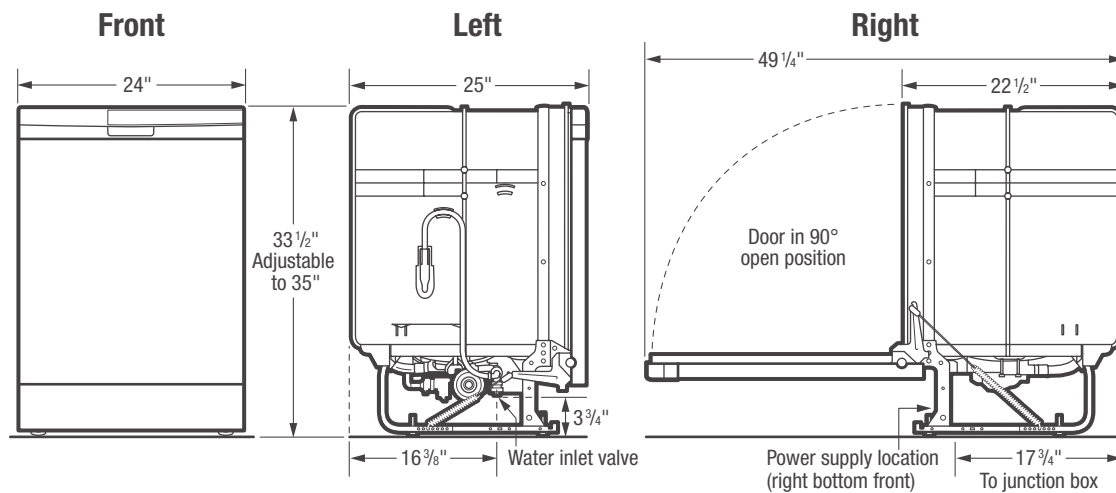
## FRIGIDAIRE

USA • 10200 David Taylor Drive • Charlotte, NC 28262 • 1-800-FRIGIDAIRE • [frigidaire.com](http://frigidaire.com)  
 CANADA • 5855 Terry Fox Way • Mississauga, ON L5V 3E4 • 1-800-265-8352 • [frigidaire.ca](http://frigidaire.ca)

FFBD2412S 07/16

© 2016 Electrolux Home Products, Inc.

Specifications subject to change.



**Dishwasher Specifications**

- Product Shipping Weight (approx.) - 83 Lbs.
- Voltage Rating - 120V/60 Hz/15 Amps (*maximum 20 Amps if connected with disposer*)
- Connected Load (kW Rating) @ 120 Volts = 1.20 kW (For use on adequately wired 120V, dedicated circuit having 2-wire service with a separate ground wire. Appliance must be grounded for safe operation.)
- Amps @ 120V = 10 Amps
- Always consult local and national electric & plumbing codes. Meets requirements of ASSE 1006 – integral air gap on supply.
- Water Pressure - Hot water line to dishwasher must provide between 20 and 120 pounds per square inch (psi) with at least 120° F hot water temperature.
- Make sure location has correct drain, water and electrical outlets to make connections – MUST be confined to shaded areas.
- Electrical and water supplies should enter cabinet opening on floor, or through back or side walls, as shown in shaded areas.
- Keep back free of drain, water & electrical supply.
- Connections preferably located toward left side of dishwasher. Do not cross drain, water or electrical lines in front of motor, blower or frame.

- If connecting drain hose to sink trap, local code may require installation of Air Gap Kit (*not included*).
- When installing adjacent to wall, cabinet or other obstruction that extends beyond front edge of unit, allow 2" minimum clearance between opened door and obstruction.
- Floor should be flat and free of obstructions with carpet removed to provide motor clearance.
- When installing at end of cabinet line, sides and back must be fully enclosed.
- Do not install unit under a cooktop, damage will occur.
- Recommended to seal cabinets, enclosing all sides of dishwasher, including underside of countertop, with oil-based paint or moisture-proof polyurethane to prevent possible steam/moisture damage.
- Once installation is complete, Cabinet Seal Kit (PN# 154528701) available to seal between unit and cabinets.

**Note:** For planning purposes only. Refer to Product Installation Guide on the web at [frigidaire.com](http://frigidaire.com) for detailed instructions.

**Optional Accessories**

- Cabinet Seal Kit (PN# 154528701).