

# Insulated Siding Exhaust Vent Installation Instructions

-To be installed prior to siding-

## Step 1

Remove the trim ring and collar from the vent assembly. Place tape or sealant between the I.S. Exhaust Vent and house. Align the tube with the available opening (Suggested hole size: 4 1/8" diameter.) See Figure 1 at right.

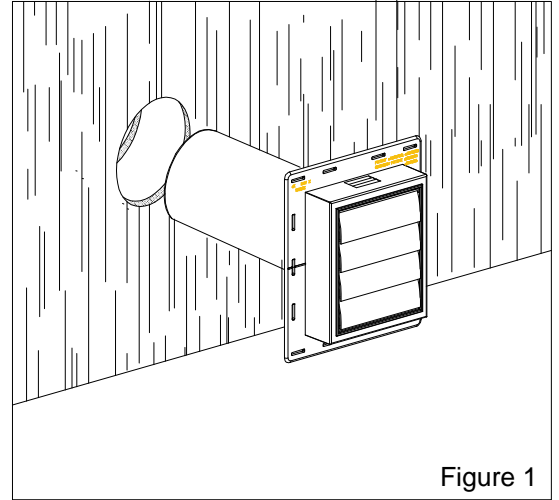


Figure 1

## Step 2

Attach the I.S. Exhaust Vent using an 8d nail or equivalent with a minimum of four attachments. See Figure 2 at left.

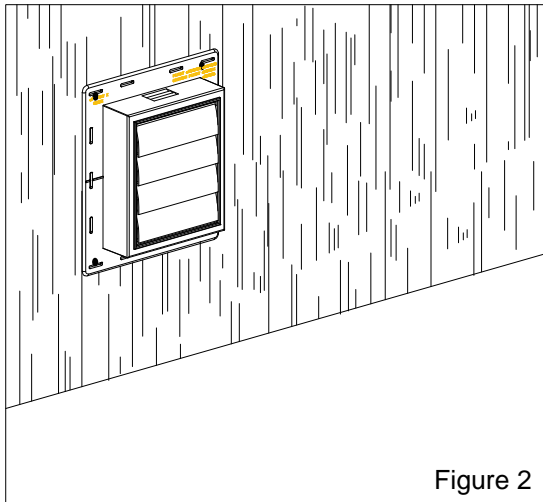


Figure 2

## Step 3

Once the I.S. Exhaust Vent has been securely fastened, cut the siding around the vent. Install the siding according to the manufacturer's installation instructions. See Figure 3 at right.

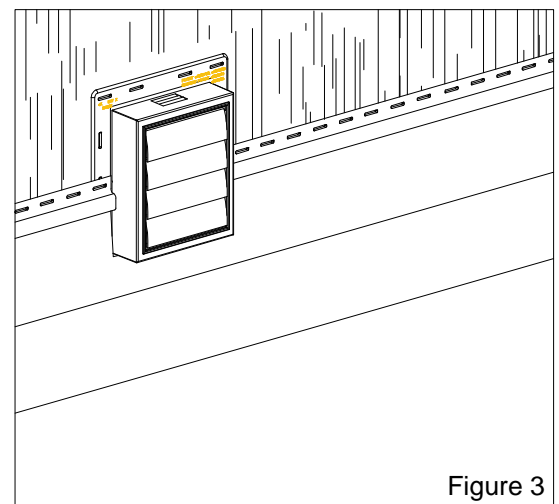


Figure 3

## Step 4

Lock on the Trim Ring. See Figure 4 at left.

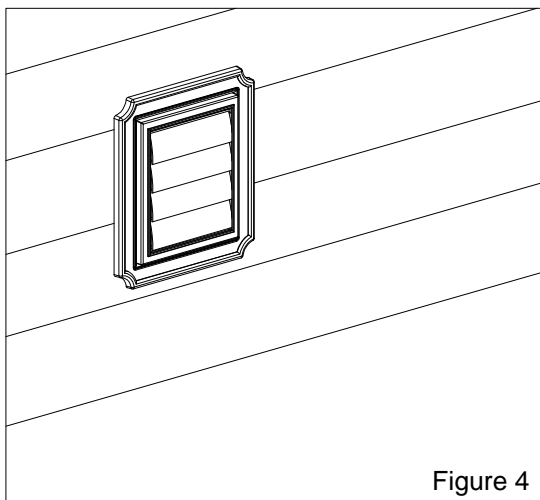


Figure 4