



shown in Gloss White
with 42" Barn Wood blades



shown in Brushed Nickel
with 52" Walnut blades




Super Janet

Designed in 2017

The Super Janet's remarkable design and solid construction in cast aluminum and heavy stamped steel make it the heroine in any commercial or residential space. Moving air with barely a whisper, its efficient DC motor turns solid wood blades in walnut or barn wood tones. An eco-conscious LED light kit with light cover completes the package. Sophisticated, efficient and green, Super Janet carries a limited lifetime warranty.



shown in Matte Black
with 52" Walnut blades





shown in
Textured Bronze with
60" Barn Wood blades

SKU NAMING CONVENTION

SKU#	SJ-XX-XX-XX (Model+Finish+Blade+Diameter)	
Standard Finishes	Brushed Nickel	- BN
	Gloss White	- WH
	Matte Black	- BK
	Textured Bronze	- TB
Blade Finishes	Barn Wood	- BW
	Walnut	- WN
Fan Diameter	42 inches / 107 cm	- 42
	52 inches / 132 cm	- 52
	60 inches / 152 cm	- 60

STANDARD EQUIPMENT

One downrod of 10 inches / 13 cm	
Vaulted ceiling canopy for up to 30°	
Light cover	
6-speed RF remote control with reverse function in black	Wireless Decora-style, 6-speed, wall control in white
	

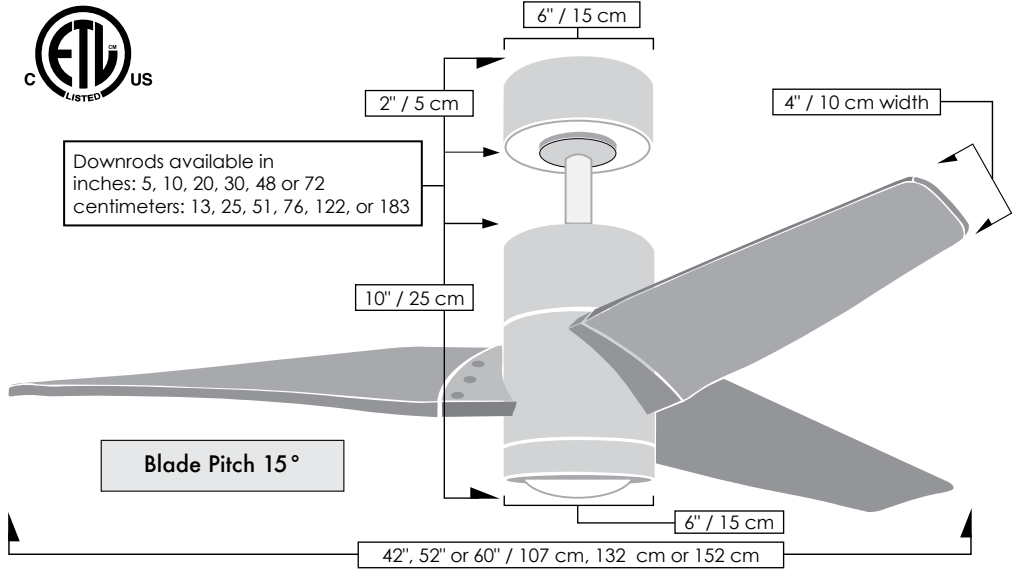
CEILING HEIGHT / DOWNROD TABLE

Ceiling Height	Downrod Lengths <i>Field cuttable. Non-threaded</i>
10 ft or less	5 inches / 13 cm
10-12 feet	10 inches / 25 cm
13 feet	20 inches / 51 cm
14 feet	30 inches / 76 cm
15 feet	48 inches / 122 cm
16 feet +	72 inches / 183 cm

CEILING PITCH TABLE

0/12	0 degrees
1/12	4.76 degrees
2/12	9.46 degrees
3/12	14.04 degrees
4/12	18.43 degrees
5/12	22.62 degrees
6/12	26.57 degrees
7/12	30.26 degrees
8/12	33.69 degrees
9/12	36.87 degrees
10/12	39.81 degrees
11/12	42.51 degrees

Super Janet | TECHNICAL SPECIFICATIONS



FAN SPECIFICATIONS

Fan Diameters	inches: 42, 52 or 60 centimeters: 107, 132 or 152
Overall Drop	12 inches / 30 cm + downrod length
Fan Weight	17 lbs
Downrods Lengths <i>Field cuttable. Non-threaded</i>	inches: 5, 10, 20, 30, 48, 72 centimeters: 13, 25, 51, 76, 122, 183
Downrod Diameter	1 inch
Voltage	110 (Please contact us for 220 conversion)
Motor Type	DC
Remote Control	Hand-held, wall-mountable, 6-speed with reverse
Wall Control	Decora-style wall control: DC-WC
Environment	Damp locations for all finishes Neither coastal, saltwater nor chlorine compatible
Ambience	Silent
Safety Certification	ETL / CETL
Warranty	Limited Lifetime

MOTOR EFFICIENCY DATA AT HIGH SPEEDS

	42 inch / 107 cm	52 inch / 132 cm	60 inch / 152 cm
RPM	242	184	150
CFM	4530	5962	6495
Watts	23.62	32.99	33.32
CFM/Watt	191.75	180.72	194.93
Blade Pitch	15°	15°	15°

LIGHT KIT PHOTOMETRICS

Lamping (Replaceable)	Remote Dimmable	Temperature	Delivered Lumens	CRI	Watts	Hours
Integrated LED	Yes	2776	419	94	18	50,000

Matthews Fan Company

1881 Industrial Drive
Libertyville, IL 60048

Tele: 847.680.9043

Fax: 847.680.8140

www.matthewsfanco.com

© 2017 Matthews Fan Company. All rights reserved.

