

SPEAKMAN® SEF-1800-CA

Eyesaver® Laboratory Widespread Faucet with Integrated Eyewash

EYEWASH FEATURES:

- Pull handle activator
- Aerated yellow plastic spray outlets with flip-top dust caps
- 2.8 gpm/10.6L/min @ 30 psi flow rate.
- ½" NPT male inlet

FAUCET FEATURES:

- Gooseneck faucet with independently operated eyewash
- Lead-free brass construction
- ¼ turn ceramic cartridge
- ½" NPSM male threaded compression connections for hot and cold inlets
- Adjustable center of 6 in. to 12 in.
- Vandal resistant 4 in. wrist blades handles with color-coded indexes
- 2.2 gpm (8.3 L/min) flow rate

COMPLIANCE:

- ASME A112.18.1/CSA B125 certified
- ANSI/ISEA Z358.1 certified
- NSF 372 certified (excludes FP & ST options)
- NSF 61 certified (excludes FP & ST options)

OPTIONS: Add suffix to model

- 8 in. gooseneck spout - 8
- Vandal resistant 0.5 gpm flow control -BO
- Foot pedal activation -FP
- Laminar flow outlet 1.5 gpm -LF
- Non-aerated eyewash outlets -NA
- Two handle valves replaced with single lever valve -SL
- Serrated tip with vacuum breaker (not NSF 372 or NSF 61 compliant) -ST
- Thermostatic mixing valve for eyewash -TW

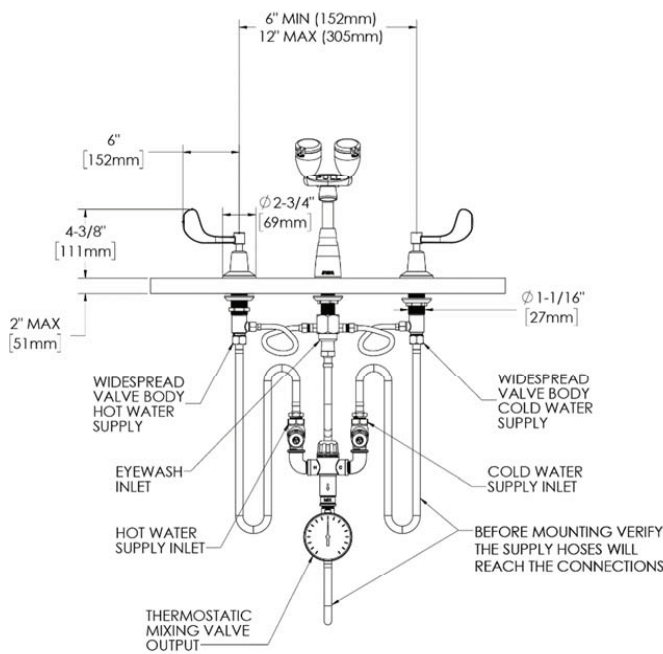
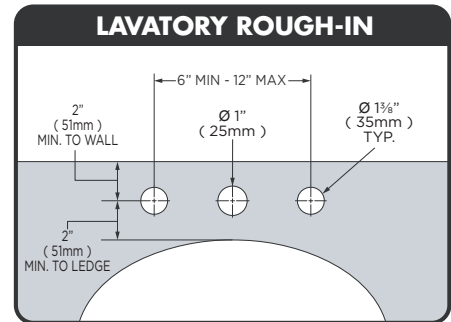
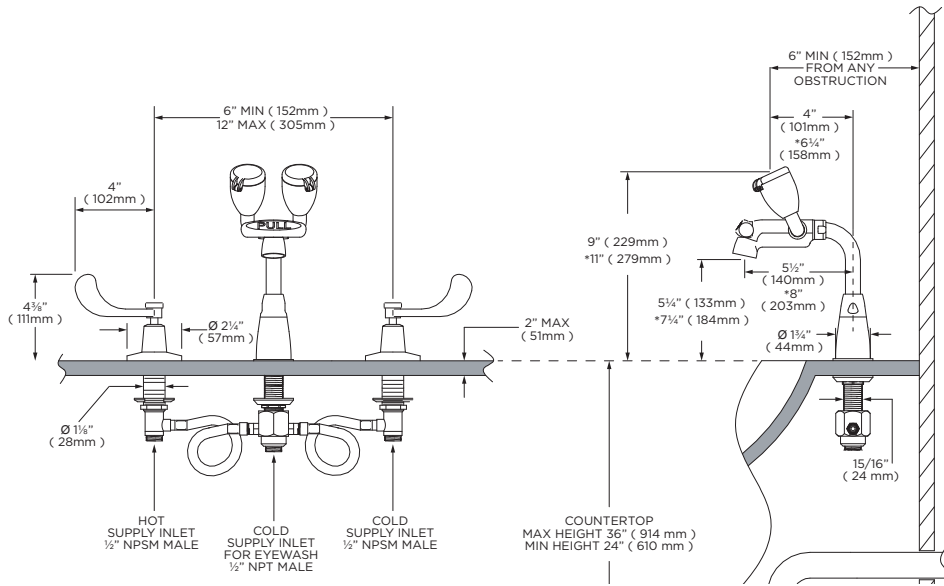
WARRANTY:

- 3 year limited



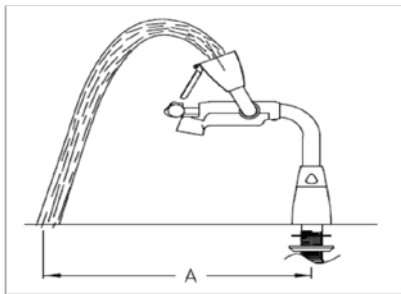
DIMENSIONS:

NOTE: 1. Side mounting (right or left) of the mixing valve is recommended. Mounting valve below the sink fitting may damage the mixing valve's temperature gauge during use of the sink fitting. 2. Sink fitting inlets are 1/2-14 NPT female. 3. All dimensions are in inches (millimeters) unless otherwise specified and are subject to change without notice.



SEF-1800-CA Spray Plume Length and Flow

Flowing Pressure	30 psi	40 psi	50 psi	60 psi	70 psi	80 psi
	2.07 Bar	2.76 Bar	3.45 Bar	4.14 Bar	4.83 Bar	5.52 Bar
Flow Rate	2.9 gpm 11.09 L/min	3.1 gpm 11.55 L/min	2.9 gpm 11.13 L/min	2.9 gpm 10.98 L/min	2.9 gpm 10.90 L/min	2.9 gpm 10.86 L/min
Eyewash Distance Plume "A"	13.5" 34.29 cm	14.25" 36.2 cm	14.25" 36.2 cm	13.75" 34.93 cm	13.75" 34.93 cm	13.75" 34.93 cm



SEF-1800-CA-8 Spray Plume Length and Flow

Flowing Pressure	30 psi	40 psi	50 psi	60 psi	70 psi	80 psi
	2.07 Bar	2.76 Bar	3.45 Bar	4.14 Bar	4.83 Bar	5.52 Bar
Flow Rate	2.9 gpm 11.09 L/min	3.1 gpm 11.55 L/min	2.9 gpm 11.13 L/min	2.9 gpm 10.98 L/min	2.9 gpm 10.90 L/min	2.9 gpm 10.86 L/min
Eyewash Distance Plume "A"	17.0" 43.18 cm	18" 45.72 cm	18" 44.45 cm	17.5" 43.18 cm	17.0" 43.18 cm	17.0" 43.18 cm