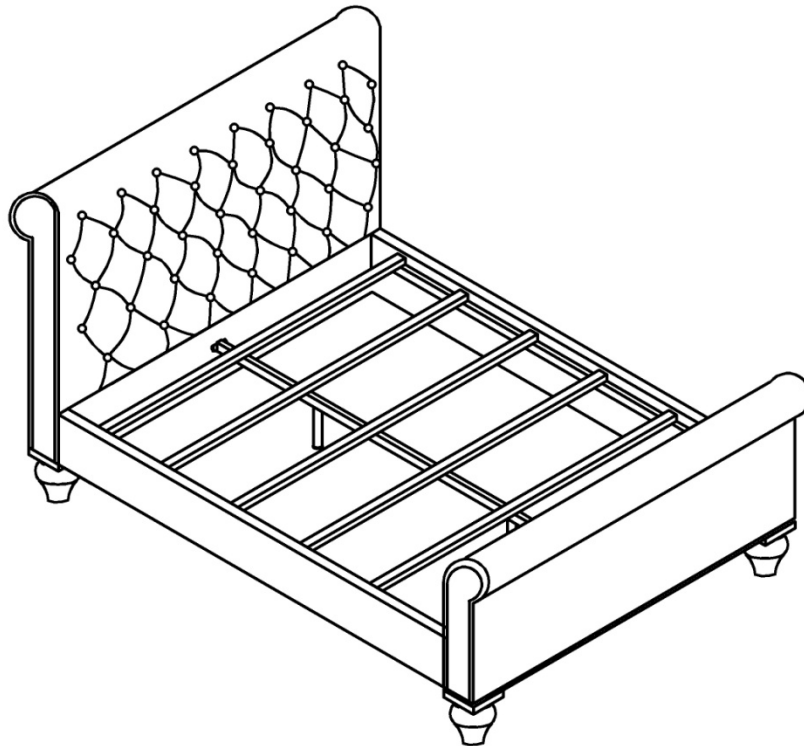


**HOME  
DECORATORS  
COLLECTION**

**Model #: MB-044-KB-W/T**  
**Item # :** 1004067697/1004067705  
1004065958/1004065959  
**Model #: MB-044-QB-W/T**  
**Item # :** 1004065960/1004067628  
1004156120/1004065955

**USE AND CARE GUIDE**  
**MB-044 Bed**



**Questions, problems, missing parts?**  
**Before returning to the store, Customer Service.**  
**8 a.m. – 7 p.m., EST, Monday – Friday, 9 a.m. – 6 p.m.,**  
**EST, Saturday**

**1-800-998-7021**  
**HOMEDEPOT.COM/HOMEDECORATORS**

---

**THANK YOU**

*We appreciate the trust and confidence you have placed in Home Decorators Collection through the purchase of this MB-044 BED. We strive to continually create quality products designed to enhance your home. Visit us online to see our full line of products available for your home improvement needs. Thank you for choosing Home Decorators Collection!*

---

# Table of Contents

Table of Contents .....	2	Maintenance .....	10
Safety Information .....	2	Care and Cleaning .....	10
Warranty .....	2		
What is Covered .....	2		
What is not Covered .....	2		
Pre-Assembly .....	3		
Planning Assembly .....	3		
Hardware Included .....	3		
Package Contents .....	4		
Assembly.....	5		

## Safety Information

1. Make sure assemble the bed with two or more adults.
2. Suggest read the AI carefully before assembling and follow the steps and details.
3. Keep small parts away from the children during assembly.



**WARNING:** Keep the product on level surface, the product may become unstable and tip if stored or moved on an unlevel surface, which may cause personal injury or product damage.

## Warranty

### 3 YEAR WARRANTY

#### WHAT IS COVERED

Product defects, the defects include circumstances where the frame has broken under normal use and no longer performance its function.

#### WHAT IS NOT COVERED

This warranty does not cover commercial use, acts of nature, and abusive use.

# Pre-Assembly

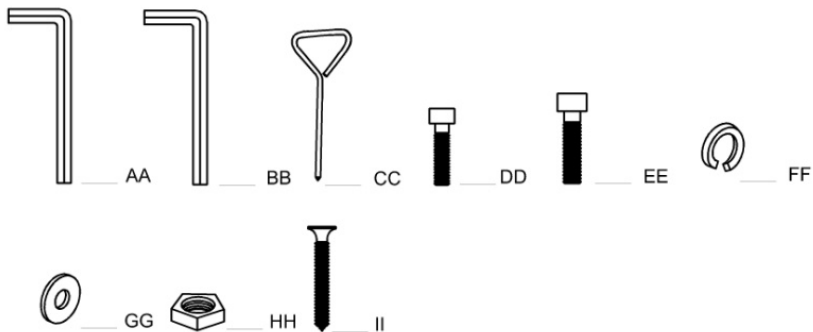
## PLANNING ASSEMBLY

Keep the children and pets away from build area, pay attention to the labels on the parts and don't throw away, otherwise, maybe it will be difficult for you to assemble the product.

## HARDWARE INCLUDED



Notes: Part DD,EE,FF,GG HH are already in place.  
AA, BB, CC,II are in the red hardware bag



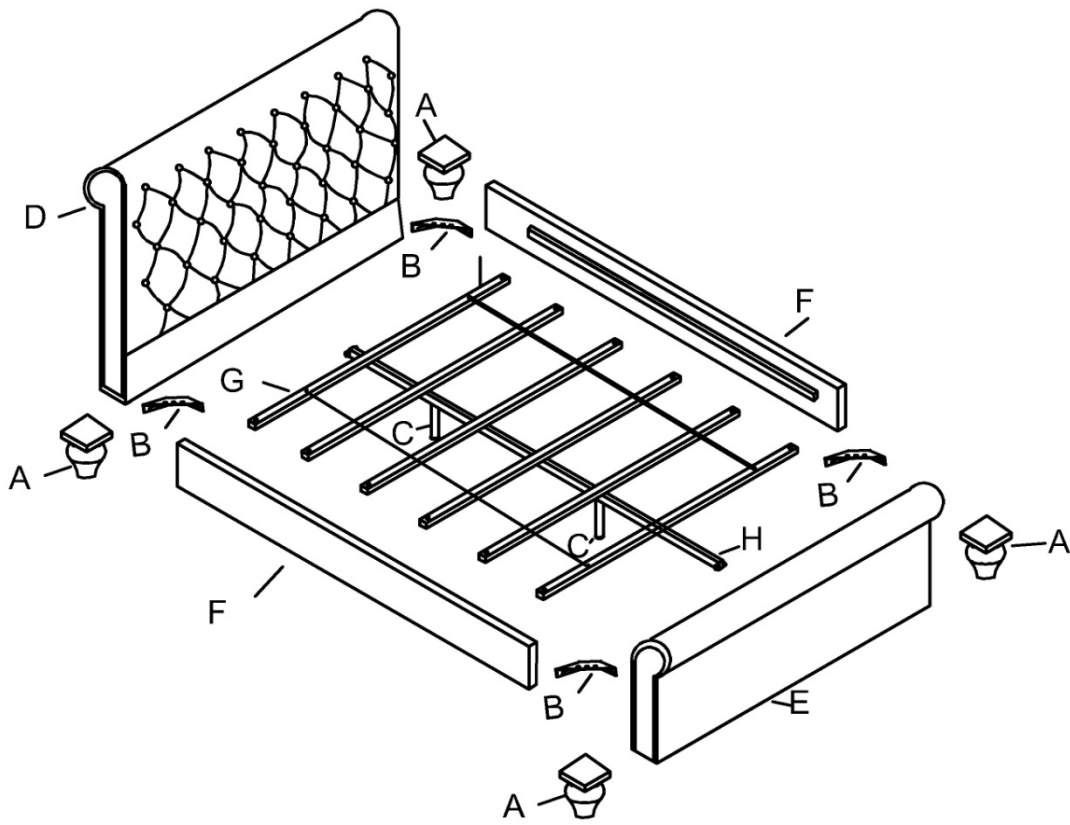
Part	Description	Quantity
AA	WrenchØ8*65	1
BB	Wrench Ø6*50	1
CC	Screw Driver	1
DD	Bolt 6*25	24
EE	Bolt 8*25	4
FF	Spring washer	24
GG	Washer	24
HH	Nut	4
II	Screw	12

# Pre-Assembly (cont.)

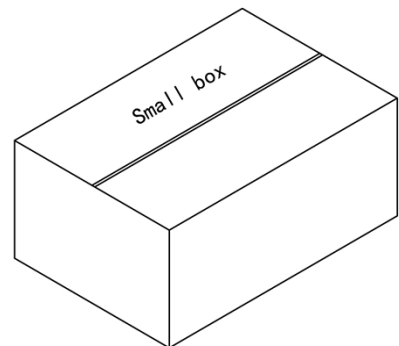
## PACKAGE CONTENTS



Notes: Part A,B and C are in the small box.



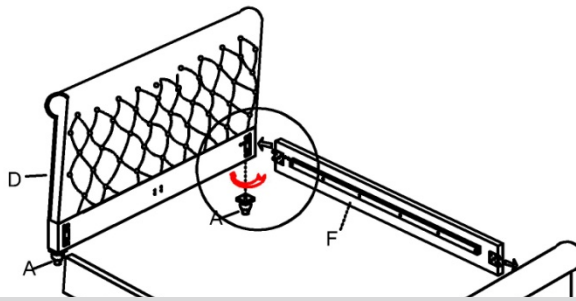
Part	THD Table Header, 10 pt.	Quantity
A	Wood leg	4
B	Triangle plate	4
C	Center leg	2
D	Headboard	1
E	Footboard	1
F	Side panel	2
G	Bed slat	6
H	Metal center slat	1



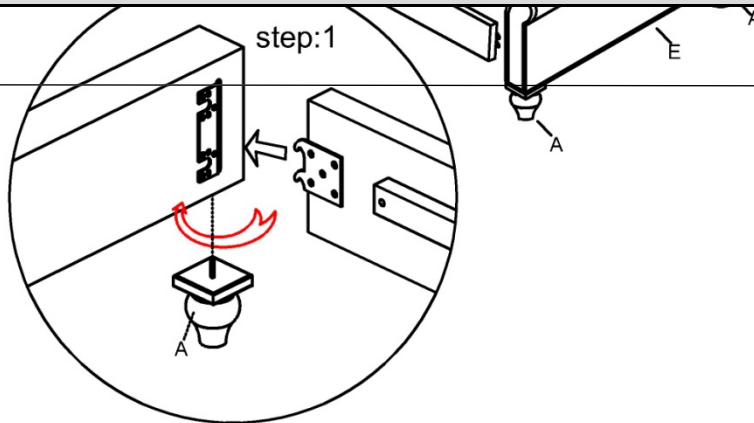
# Assembly

## Step 1: Assemble the wood legs (A), headboard (D) and footboard (E)

- Take out the 4 wood legs (A) from the small box and assemble to the headboard (D) and footboard (E)
- Assemble the 4 hooks from side panels (F) to the headboard (D) and footboard (E).



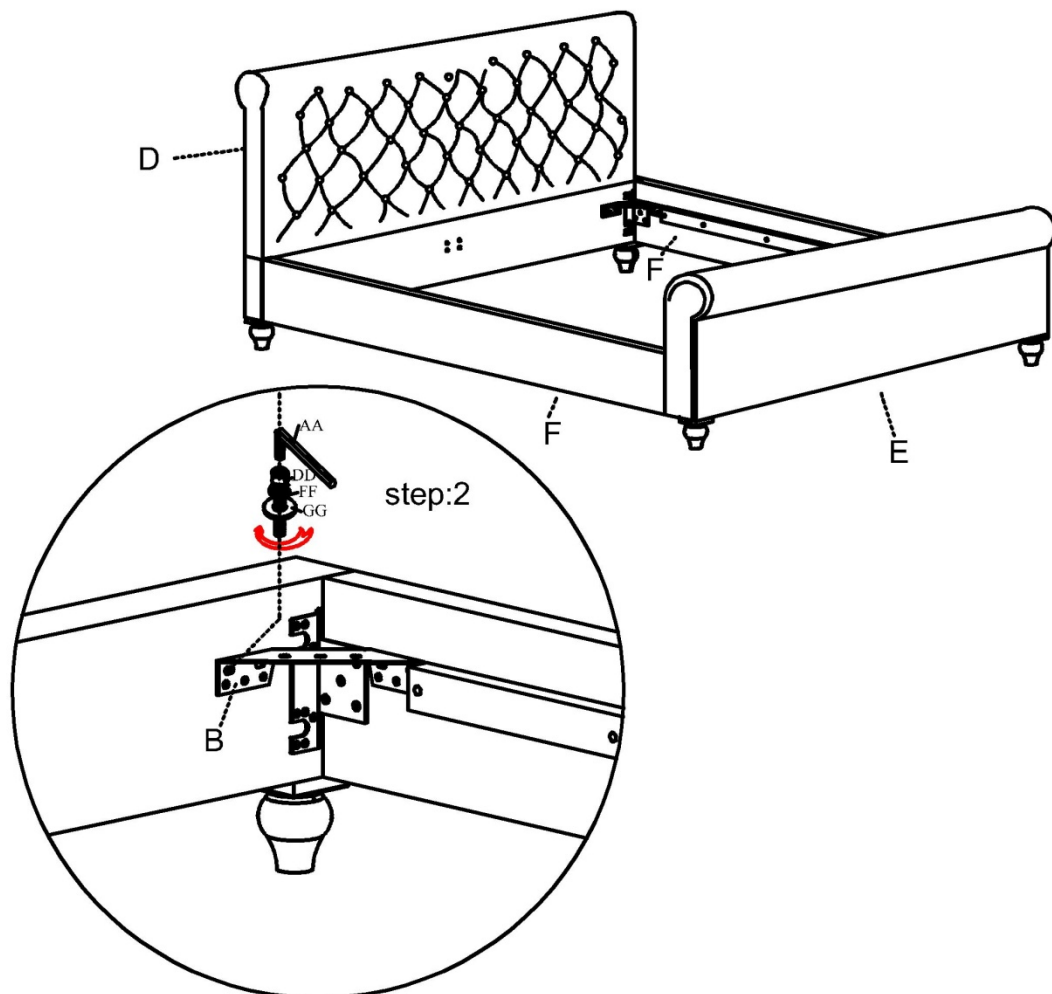
# Assembly



## Step 2: Assemble the triangle plate (B)

- Take out the 4 triangle plates (B) from the small box

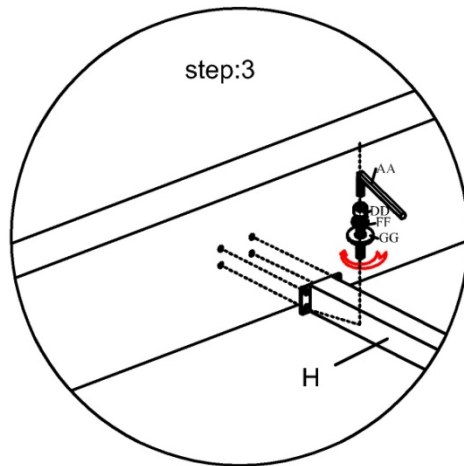
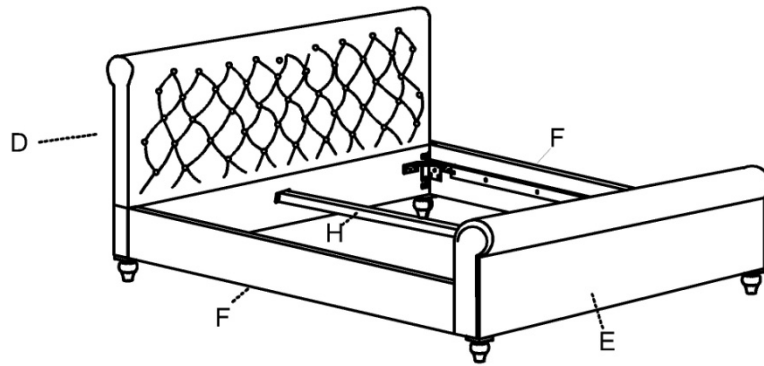
- Remove the bolts/spring washer from the side panels(F), headboard (D)and footboard(E).
- Assemble 4 triangle plates(B) between side panels(F) and headboard(D)/footboard(E) .



## Assembly

### Step 3: Assemble the metal center slat (H)

- Remove the bolts/washer/spring washer from the headboard (D) and footboard (E)
- Assemble the metal center slat (H) to the headboard (D) and footboard (E)
- Tighten the metal center slat (H) to the headboard (D) and footboard (E)

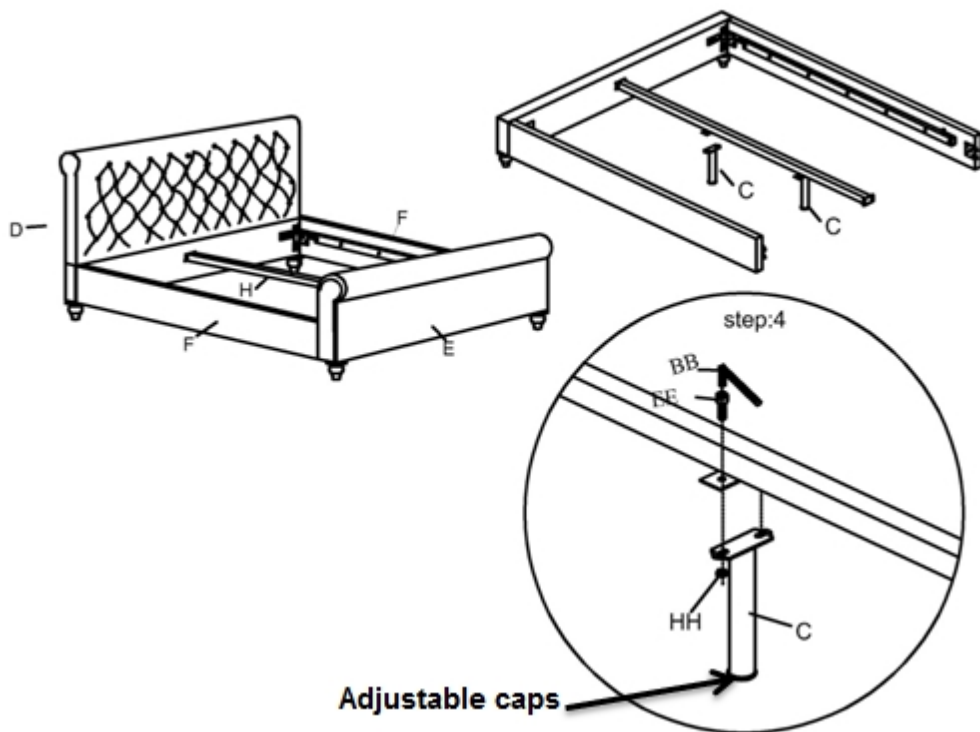


## Assembly

### Step 4: Assemble the center leg(C)

- Take out the center legs(C) from the small box.
- Remove the 4pcs of 8\*25mm bolts from the center legs.
- Assemble the center legs(C) to the metal center slat (H) and tighten.

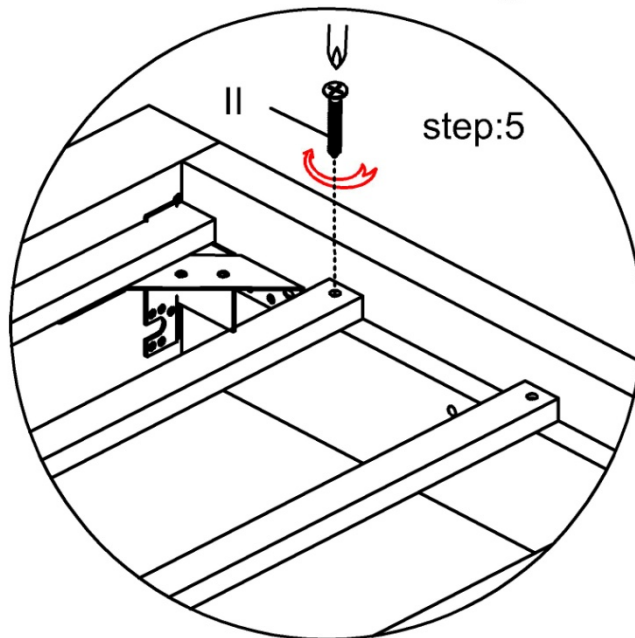
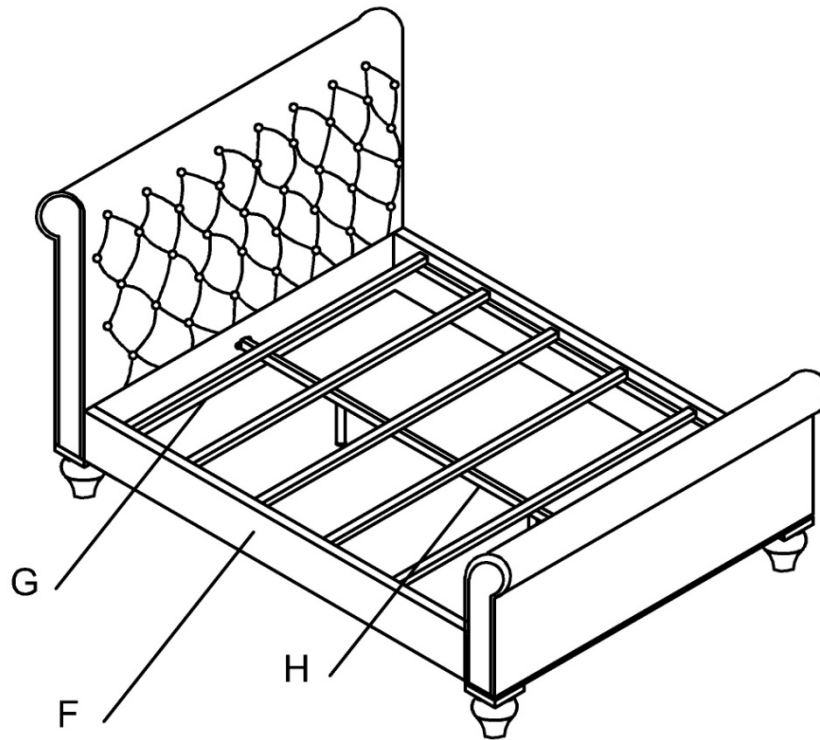
## Assembly



### Step 5: Assemble the Bed slat (G)



- Place the bed slat(G) on the metal center slat (H) and side panel(F)
- Take the 12 screws out from the red hardware bag and assemble the six bed Slats to both side panels with the screw driver (CC)



## Maintenance

- Keep the product from the direct heat, water and sunlight.

- **Prolonged exposure to heat sources may cause scorching, or even cause color to fade.**
- **Regular vacuuming or light brushing helps to remove dirt and prevent soil build-up, which increase the appearance wear.**

## Care and Cleaning

---

- **Vacuum your product regularly, small dust particles are very abrasive and can wear furniture prematurely.**
- **Don't use harsh chemicals or solvents on your product as this may damage the material**
- **Marks and stains from pens, crayons and ink makers are difficult to remove, in the event that your product becomes permanently stained, we recommend that you consult a professional.**

# **HOME DECORATORS COLLECTION**

**Questions, problems, missing parts?  
Before returning to the store, call Home Decorators Collection Customer Service.  
8 a.m. – 7 p.m., EST, Monday – Friday, 9 a.m. – 6 p.m., EST, Saturday**

**1-800-998-7021**

**[HOMEDEPOT.COM/HOMEDECORATORS](http://HOMEDEPOT.COM/HOMEDECORATORS)**

**Retain this manual for future reference**