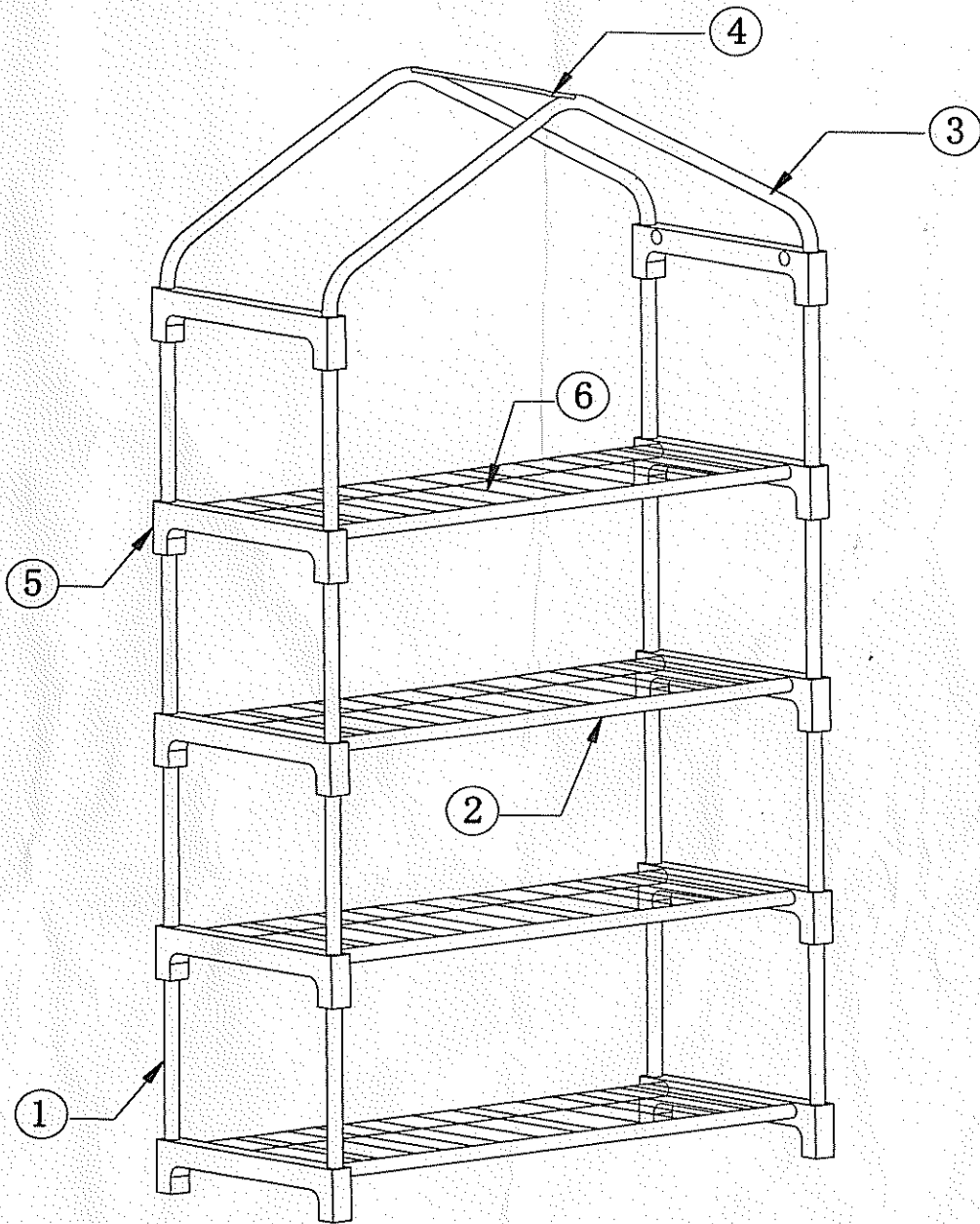


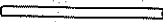
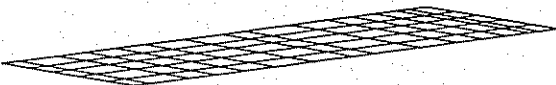




Assembly Instruction of 63516



①	 ø16*0.26*235	16pcs	⑤	 25*55*290*10pcs
②	 ø16*0.26*675	8pcs	⑥	 4pcs
③	 ø16*0.26*910	2pcs		8pcs
④	 ø1.0*290	1pc		
⑤	