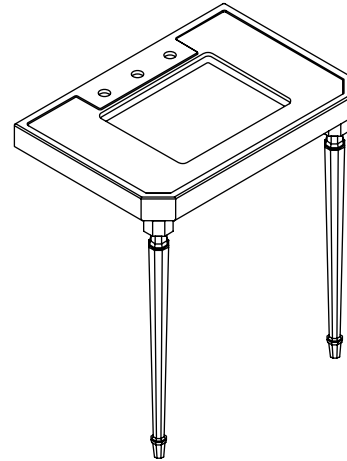


Features

- Fireclay
- Includes table frame
- Pre-cut for Kathryn® 17" (43.2 cm) x 13" (33 cm) undercounter lavatory (required)
- Pre-drilled for 10" (25.4 cm) widespread faucet
- 32" (81.3 cm) x 22" (55.9 cm) x 34" (86.4 cm)

FIRECLAY CONSOLE TABLETOP K-3020



Codes/Standards Applicable

Specified model meets or exceeds the following:

- None applicable

Colors/Finishes

- 0: White
- Other: Refer to Price Book for additional colors/finishes

Accessories

- 0: White
- CP: Polished Chrome
- Other: Refer to Price Book for additional colors/finishes

Specified Model

Model	Description	Colors/Finishes	
K-3020	Kathryn® fireclay console tabletop with 10" (25.4 cm) faucet drilling	<input type="checkbox"/> 0	<input type="checkbox"/> Other_____

Required Accessories			
K-2330-G	Kathryn® 17" (43.2 cm) x 13" (33 cm) undercounter lavatory with glazed underside	<input type="checkbox"/> 0	<input type="checkbox"/> Other_____
K-6839	Kathryn® octagonal brass legs OR	<input type="checkbox"/> CP	<input type="checkbox"/> Other_____
K-2317-AF	Kathryn® octagonal fireclay/French gold brass legs OR	<input type="checkbox"/> 0	<input type="checkbox"/> Other_____
K-2317-BN	Kathryn® octagonal fireclay/brushed nickel brass legs OR	<input type="checkbox"/> 0	<input type="checkbox"/> Other_____
K-2317-CP	Kathryn® octagonal fireclay/polished chrome legs OR	<input type="checkbox"/> 0	<input type="checkbox"/> Other_____
K-2317-SN	Kathryn® octagonal fireclay/polished nickel legs OR	<input type="checkbox"/> 0	<input type="checkbox"/> Other_____
K-2318	Kathryn® square fireclay legs	<input type="checkbox"/> 0	<input type="checkbox"/> Other_____

Product Specification

The fireclay console tabletop shall be 32" (81.3 cm) in length, 22" (55.9 cm) in width and 34" (86.4 cm) in height. The console tabletop shall include table frame. The console tabletop shall be pre-cut for Kathryn® 17" (43.2 cm) x 13" (33 cm) undercounter lavatory, and pre-drilled for 10" (25.4 cm) widespread faucet. The console tabletop shall be Kohler Model K-3020-_____.

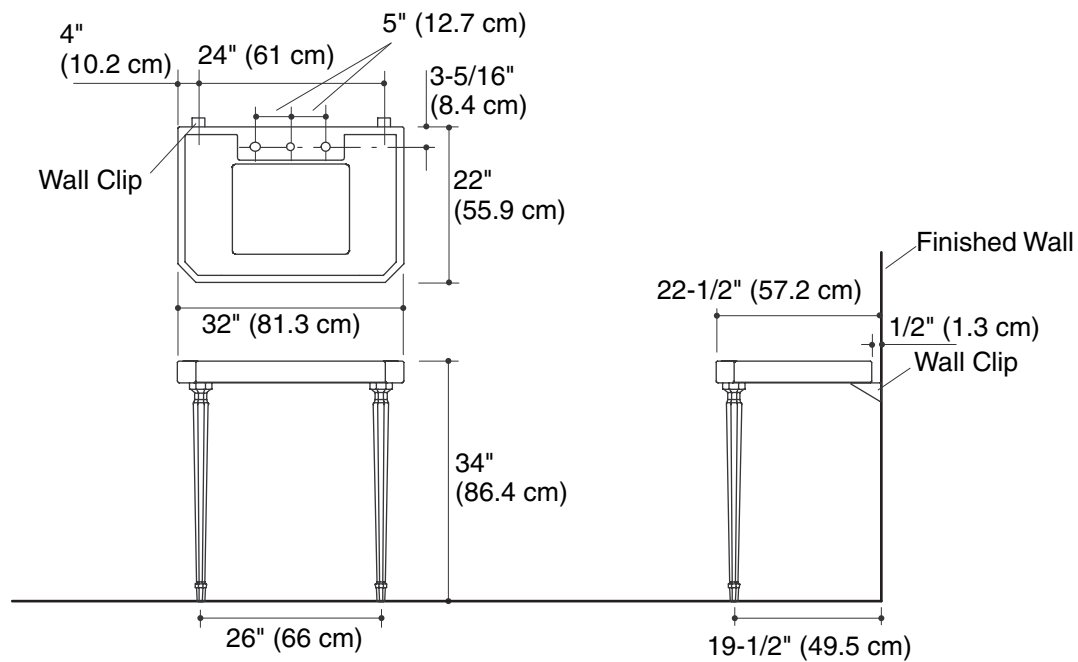
KATHRYN®

Installation Notes

Install this product according to the installation guide.

Product is installed with 1/2" (1.3 cm) gap between wall and console table.

Frame is included with K-3020.



Product Diagram