



SERVICE PARTS LIST

BULLETIN NO.
54-42-4920

SPECIFY CATALOG NO. AND SERIAL NO. WHEN ORDERING PARTS		REVISED BULLETIN	DATE
Collated Drywall Screw Driver Attachment			Nov. 2016
CATALOG NO.	49-20-0001	SERIAL NUMBER	H66A
		WIRING INSTRUCTION	

EXAMPLE:
Component Parts (Small #) Are Included
When Ordering The Assembly (Large #).

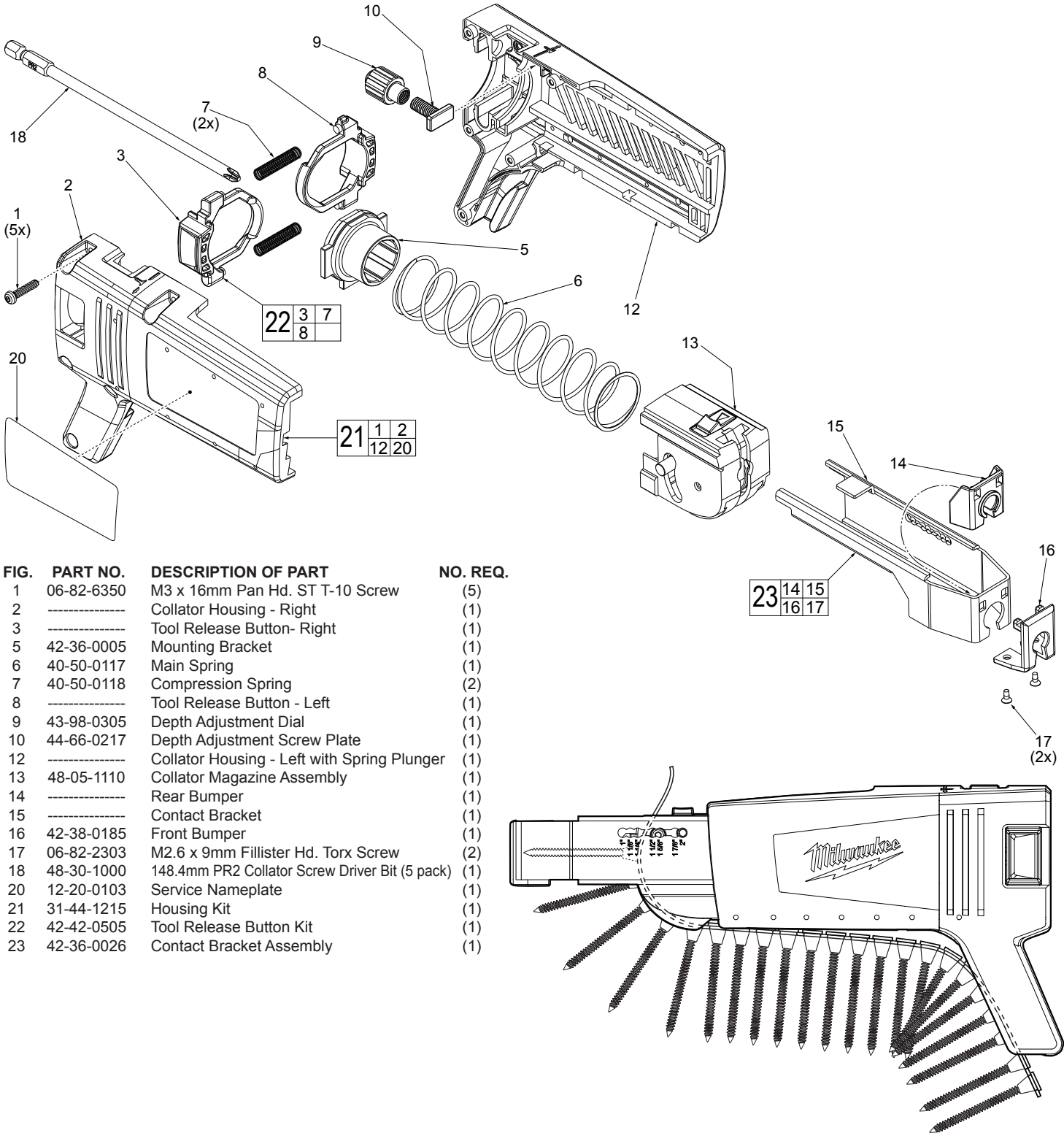


FIG.	PART NO.	DESCRIPTION OF PART	NO. REQ.
1	06-82-6350	M3 x 16mm Pan Hd. ST T-10 Screw	(5)
2	-----	Collator Housing - Right	(1)
3	-----	Tool Release Button- Right	(1)
5	42-36-0005	Mounting Bracket	(1)
6	40-50-0117	Main Spring	(1)
7	40-50-0118	Compression Spring	(2)
8	-----	Tool Release Button - Left	(1)
9	43-98-0305	Depth Adjustment Dial	(1)
10	44-66-0217	Depth Adjustment Screw Plate	(1)
12	-----	Collator Housing - Left with Spring Plunger	(1)
13	48-05-1110	Collator Magazine Assembly	(1)
14	-----	Rear Bumper	(1)
15	-----	Contact Bracket	(1)
16	42-38-0185	Front Bumper	(1)
17	06-82-2303	M2.6 x 9mm Fillister Hd. Torx Screw	(2)
18	48-30-1000	148.4mm PR2 Collator Screw Driver Bit (5 pack)	(1)
20	12-20-0103	Service Nameplate	(1)
21	31-44-1215	Housing Kit	(1)
22	42-42-0505	Tool Release Button Kit	(1)
23	42-36-0026	Contact Bracket Assembly	(1)