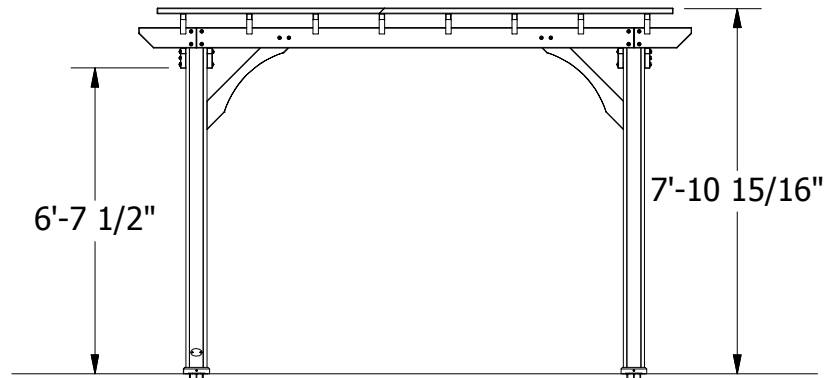
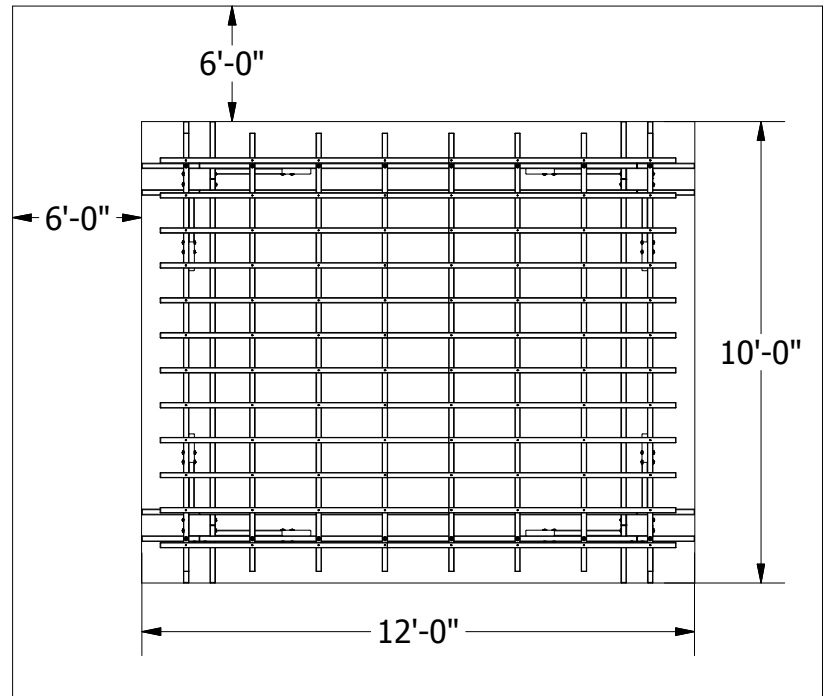
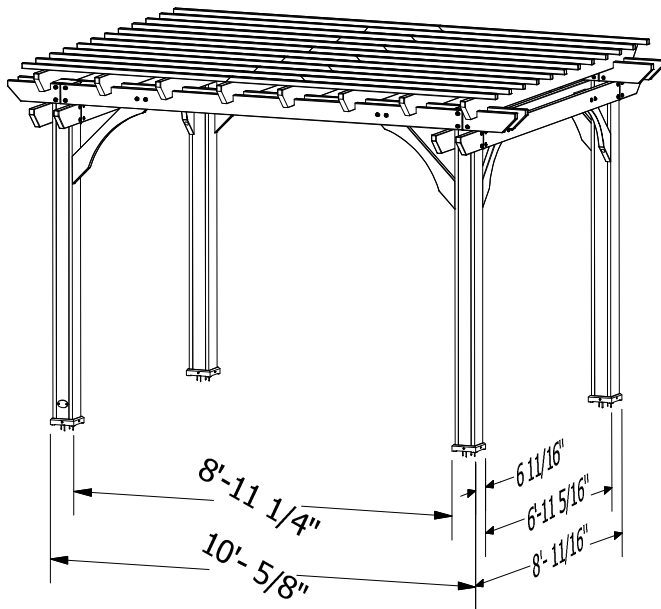


Basic Setup Dimensions

Place the set on level ground, concrete or grass. Backyard Discovery recommends at least 6 ft [2 m] from any structure or obstruction such as a fence, garage, house, overhanging branches, laundry lines, or electrical wires.



Important Assembly Notes

- 1) While assembling unit, take time before and after each phase to make sure pergola is square and level. If pergola is not square and level, assembly will be difficult and improper assembly may result. Extra care must be taken to insure the pergola is square and level.
- 2) Tighten bolts securely.
- 3) Pay close attention to the ITEMS NEEDED FOR EACH PHASE. They can be a valuable aid when sorting your wood and hardware. Assembly will be made easier if items are sorted by step.
- 4) Pay close attention to make sure you are using the correct hardware in the correct steps. Using incorrect hardware may result in improper assembly.
- 5) Read each step thoroughly. The written steps may include important information not shown in the illustrations.