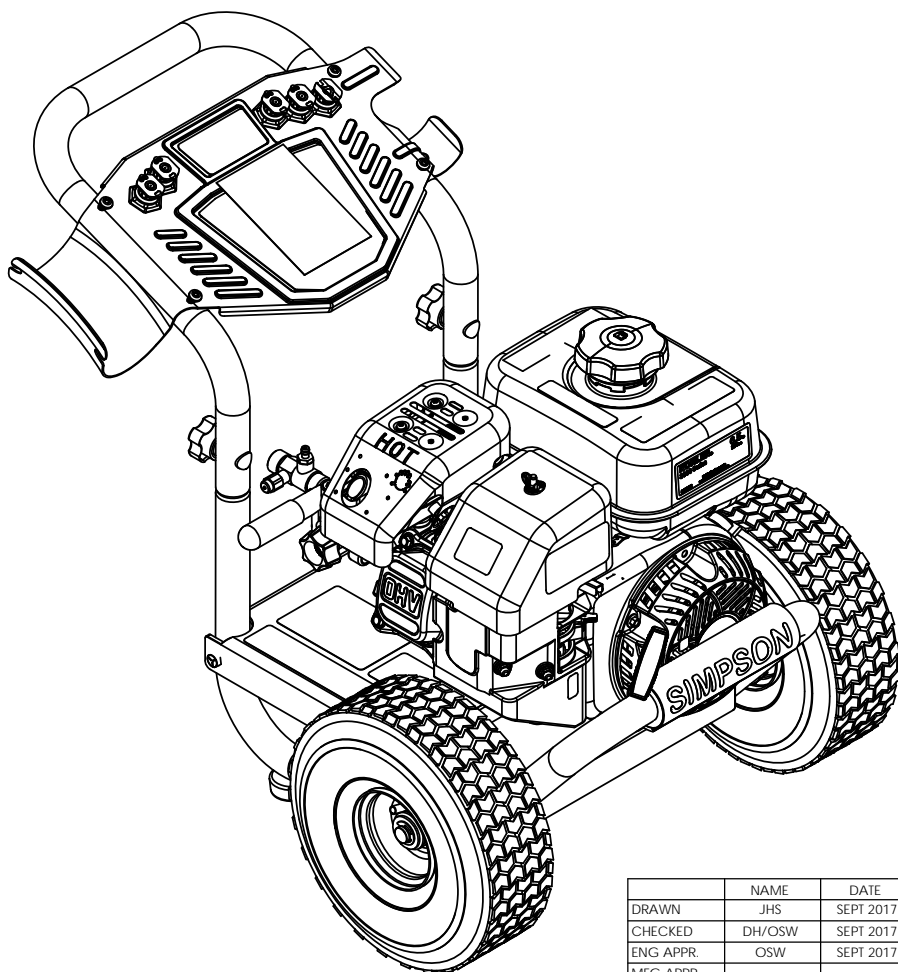


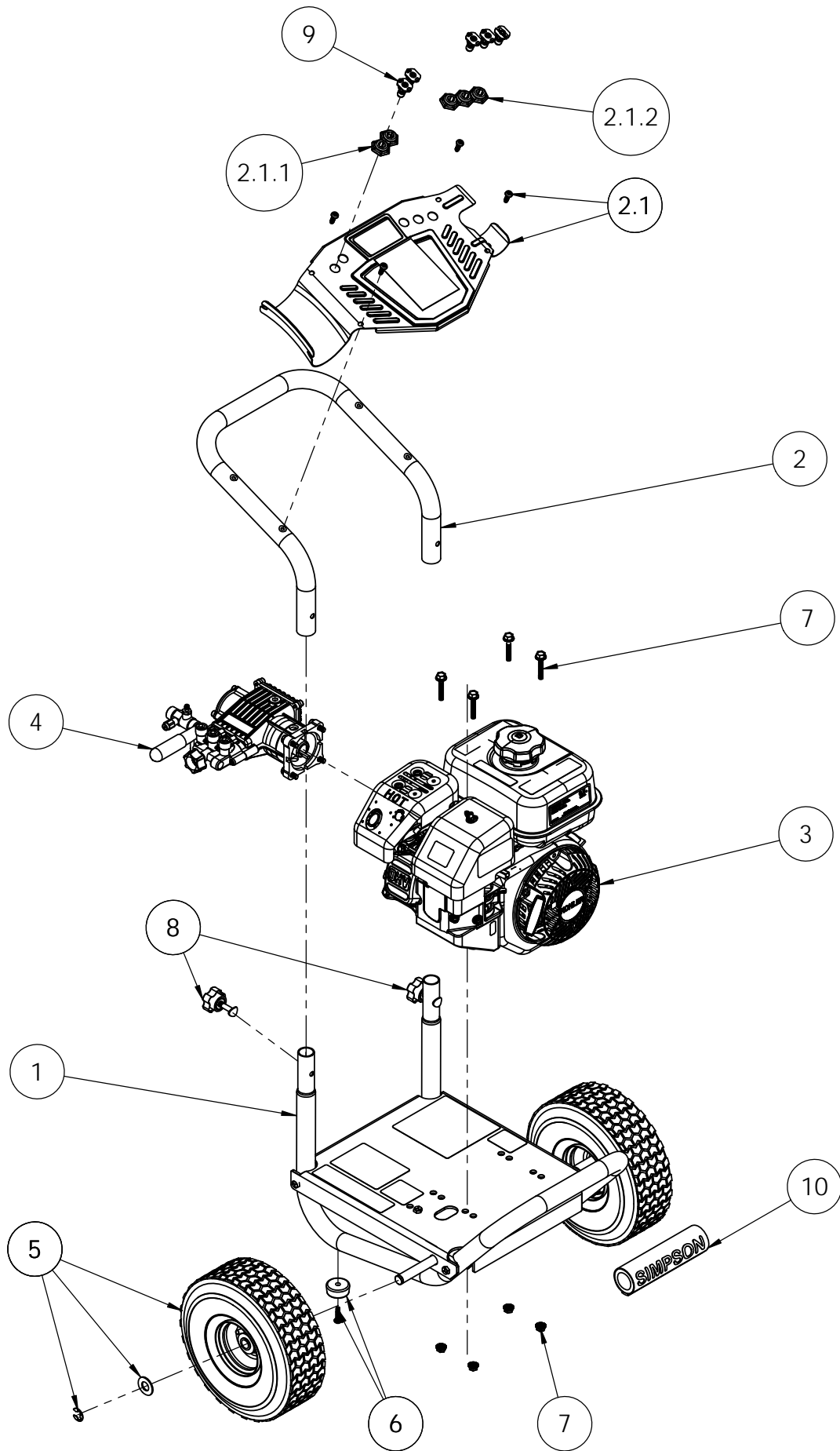
ITEM	PART NO	QTY.	DESCRIPTION
1	7107250	1	BASE FRAME, SVC ASSY W/ LABELS ALUMINUM
2	7107251	1	HANDLE, REAR SERVICE ASSEMBLY WITH LABELS
2.1	7110285	1	ALH3225 DASHBOARD KIT
2.1.1	7107067	1	HOLDER, NOZZLE 2PC RUBBER STRIP
2.1.2	7107068	1	HOLDER, NOZZLE 3PC RUBBER STRIP
3	7107223	1	ENGINE SVC ASSY, KOHLER SH265
4	7106573	1	PUMP, SERVICE ASSEMBLY
5	7105013	1	WHEEL, SERVICE KIT
6	7107262	2	FOOT KIT, SERVICE KIT
7	7103750	1	MOUNTING KIT, ENGINE
8	7103279	2	HARDWARE KIT, HANDLE MOUNTING
9	7104818	1	NOZZLE, #2.80 5PCSET 0, 15, 25, 40 & SOAP
10	7106671	1	HANDLE GRIP, SIMPSON BLACK W/ WHITE LETTERING



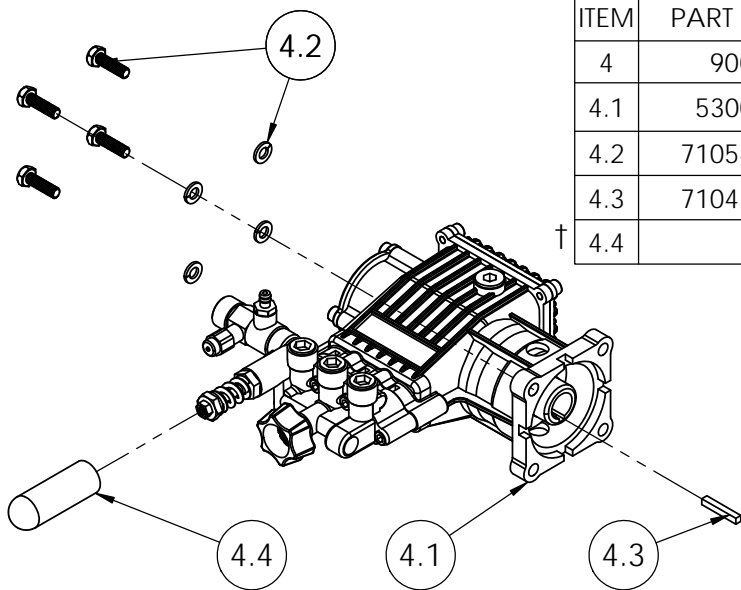
	NAME	DATE
DRAWN	JHS	SEPT 2017
CHECKED	DH/OSW	SEPT 2017
ENG APPR.	OSW	SEPT 2017
MFG APPR.	-	-
Q.A. APPR.	-	-
SERVICE APPR.	DH	SEPT 2017

PROPRIETARY AND CONFIDENTIAL
 THE INFORMATION CONTAINED IN THIS DRAWING IS THE SOLE PROPERTY OF FNA-GROUP. ANY REPRODUCTION IN PART OR AS A WHOLE WITHOUT THE WRITTEN PERMISSION OF FNA-GROUP IS PROHIBITED.

FNA-GROUP		
1265 INDUSTRIAL STREET, DECATUR, AR 72722		
TITLE:		
ALH3225 SIMPSON 3200PSI @ 2.5GPM		
SIZE	DWG. NO.	REV.
A	60686, 60774	D
SCALE: N/A	ECN # EC17-0297	SHEET 1 OF 3



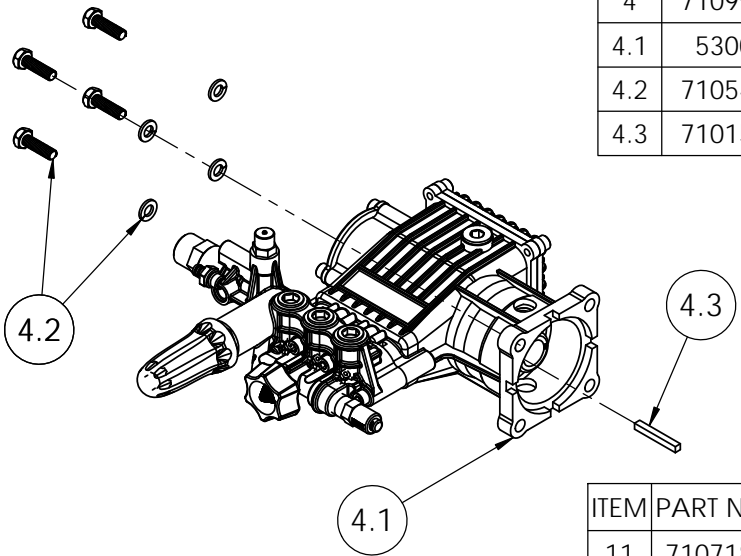
SIZE	DWG. NO.	REV.
A	60686, 60774	D
SCALE: N/A	ECN # EC17-0297	SHEET 2 OF 3



ITEM	PART NO	QTY.	DESCRIPTION
4	90037	1	PUMP, SERVICE ASSEMBLY
4.1	530011	1	PUMP, 3400PSI @ 2.3GPM HORIZONTAL-TRIPLEX
4.2	7105474	1	HARDWARE KIT, PUMP MOUNTING
4.3	7104174	1	KEY, SHAFT 3/16" x 3/16" x 1 1/4"
† 4.4		1	CAP, UNLOADER COVER 1 1/2" x 5/8" BLACK

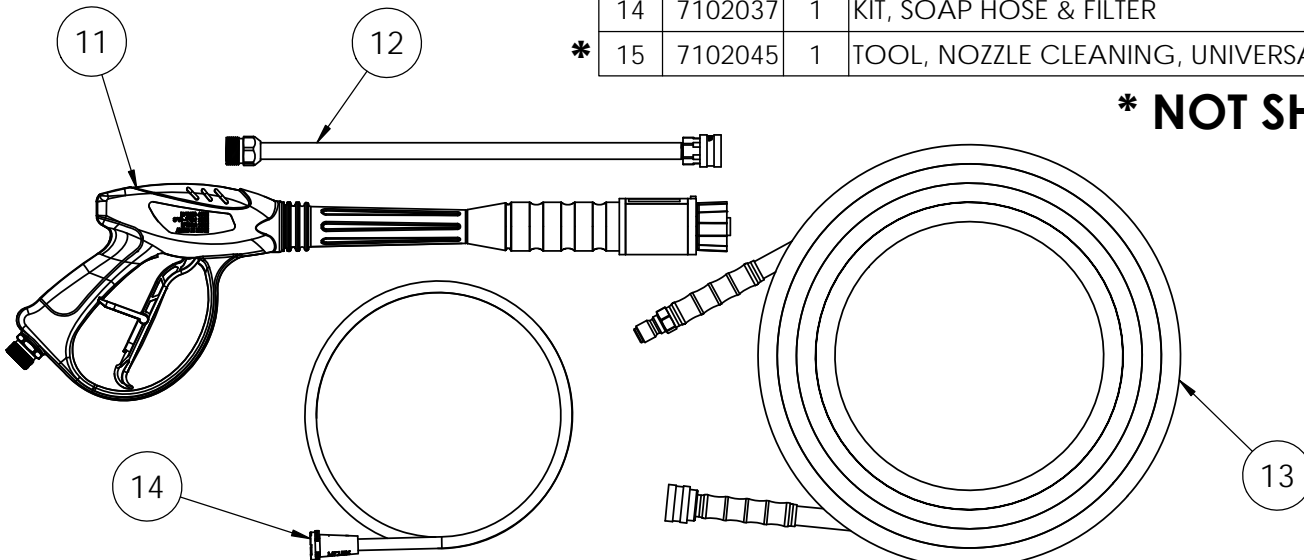
† NOT SOLD SEPERATELY

530011 PUMP SERVICE ASSY
P/N 90037
S/N 000000→1802831



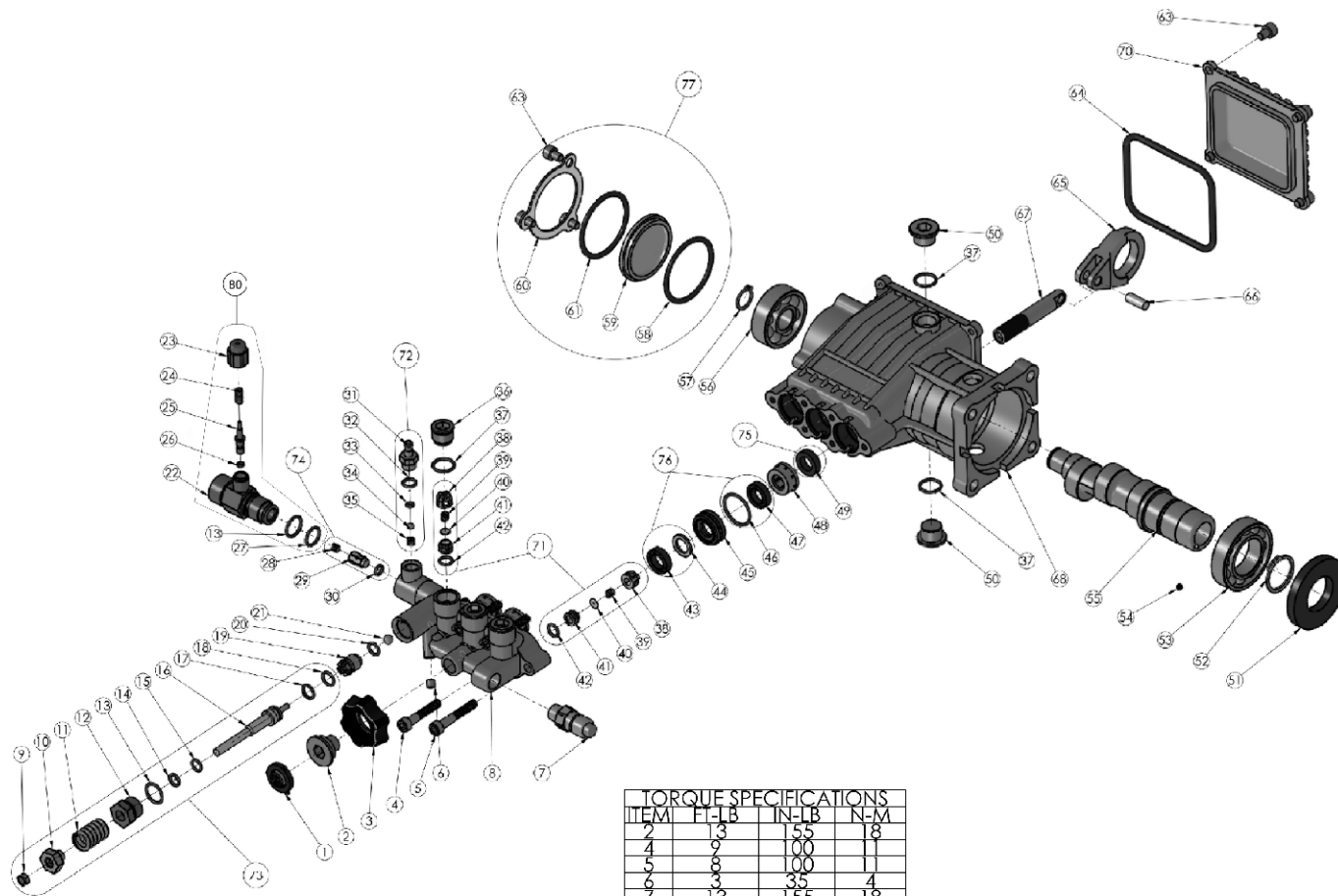
ITEM	PART NO	QTY.	DESCRIPTION
4	7109932	1	PUMP SERVICE ASSY KIT
4.1	530017	1	PUMP, CY SERIES, HORIZ TRIPLEX, 12x8.2
4.2	7105474	1	HARDWARE KIT, PUMP MOUNTING
4.3	7101506	1	KEY, SHAFT 3/16 X 3/16 X 1-1/2

530017 PUMP SERVICE ASSY
P/N 7109932
S/N 1802832→PRESENT



ITEM	PART NO	QTY.	DESCRIPTION
11	7107182	1	GUN, 4500PSI, 6.6GPM, M22(M) W/DIAL-N-WASH
12	7103550	1	LANCE, 16" W/ 1/4 QC AND M22(M)
13	7107184	1	HOSE, 5/16" x 35' x 3700PSI MORFLEX M22
14	7102037	1	KIT, SOAP HOSE & FILTER
* 15	7102045	1	TOOL, NOZZLE CLEANING, UNIVERSAL

*** NOT SHOWN**

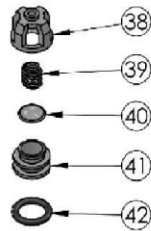


TORQUE SPECIFICATIONS			
ITEM	FT-LB	IN-LB	N-M
1			
2			
3			
4			
5			
6			
7			
8			
9			
10			
11			
12			
13			
14			
15			
16			
17			
18			
19			
20			
21			
22			
23			
24			
25			
26			
27			
28			
29			
30			
31			
32			
33			
34			
35			
36			
37			
38			
39			
40			
41			
42			
43			
44			
45			
46			
47			
48			
49			
50			
51			
52			
53			
54			
55			
56			
57			
58			
59			
60			
61			
62			
63			
64			
65			
66			
67			
68			
69			
70			
71			
72			
73			
74			
75			
76			
77			
78			
79			
80			

ITEM	PART NO.	DESCRIPTION	QTY
1	7000123	SCREEN, WATER INLET	1
2	7105704	CONNECTOR, WATER INLET	1
3	7105705	NUT, HAND TIGHT	1
4	7000325	SCREW	3
5	7104692	SCREW	3
6	7005061	SCREW, SET	1
7	7101359	VALVE, THERMAL RELIEF	1
8	7105706	MANIFOLD	1
9	N/A	NUT, UNLOADER JAM	1
10	N/A	NUT, UNLOADER ADJUSTMENT	1
11	N/A	SPRING, UNLOADER	1
12	N/A	GUIDE BUSHING UNLOADER	1
13	7105707	O-RING	2
14	N/A	BACK-UP RING, UNLOADER VALVE	1
15	N/A	O-RING	1
16	N/A	STEM, UNLOADER	1
17	N/A	O-RING	1
18	N/A	BACK-UP RING, SPLIT	1
19	7105708	VALVE SEAT	1
20	7105709	O-RING	1
21	7105710	BALL, UNLOADER VALVE	1
22	7105711	BODY, SOAP INJECTOR	1
23	7105712	CAP, BOOST VALVE	1
24	7105713	SPRING, BOOST VALVE	1
25	7107486	VALVE, PRESSURE BOOST 1.5MM	1
26	7105715	O-RING	1
27	7105716	O-RING	1
28	N/A	SPRING, CHECK VALVE	1
29	N/A	CHECK VALVE	1
30	N/A	O-RING	1
31	N/A	FITTING, SOAP INJECTION	1
32	N/A	O-RING	1
33	N/A	O-RING	1
34	N/A	BALL, SOAP VALVE	1
35	N/A	SPRING, SOAP VALVE	1
36	7105717	PLUG MANIFOLD	3
37	7105718	O-RING	5
38	N/A	CAGE, VALVE	6
39	N/A	SPRING, VALVE	6
40	N/A	DISK, VALVE	6

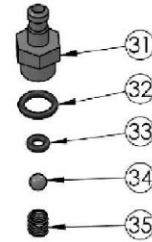
ITEM	PART NO.	DESCRIPTION	QTY
41	N/A	SEAT, VALVE	6
42	N/A	O-RING	6
43	N/A	SEAL HIGH PRESSURE	3
44	N/A	RING, ANTI-EXT	3
45	7105719	RETAINER	3
46	N/A	O-RING	3
47	N/A	SEAL, LOW PRESSURE	3
48	7105720	RETAINER, SEAL	3
49	N/A	SEAL, OIL	3
50	7105721	PLUG, CRANKCASE	2
51	7105722	SEAL, OIL	1
52	7105723	RING, RETAINING	1
53	7105724	BEARING, CRANKSHAFT	1
54	7103426	SCREW	1
55	-	CRANKSHAFTS	-
-	7105725	CRANKSHAFT 8.7GA12	1
-	7105726	CRANKSHAFT, 9.6GA12	1
56	7105727	BEARING, CRANKSHAFT	1
57	7105729	RING, RETAINING	1
58	N/A	O-RING	1
59	7105918	SIGHT GLASS	1
60	7105919	CRANKSHAFT, SIDE COVER	1
61	N/A	RING, RETAINING	1
63	N/A	SCREW	7
64	7105920	GASKET	1
65	7105730	CONNECTING ROD	3
66	7105731	PIN, CONNECTING ROD	3
67	7105732	PISTON, CERAMIC COATED	3
68	7105733	CRANKCASE, PUMP	1
70	7105922	CRANKCASE, END COVER	1

ITEM	PART NO.	DESCRIPTION	QTY
71	7104223	VALVE KIT	6
72	7104228	SOAP INJECTOR KIT	1
73	7105739	UNLOADER KIT	1
74	7105740	UNLOADER CHECK VALVE KIT	1
75	7105741	OIL SEAL KIT	1
76	7105742	HIGH AND LOW PRESSURE SEAL KIT	1
77	7105921	CRANKCASE SIDE COVER KIT	1
78	7105745	MANIFOLD KIT	1
79	7105936	CRANKCASE KIT	1
80	7107484	OUTLET FITTING KIT	1



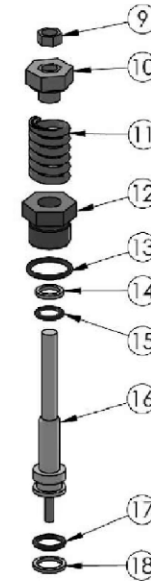
7104223
ITEM 71 VALVE KIT

ITEM	QTY	DESCRIPTION
38	5	CAGE, VALVE
39	5	SPRING, VALVE
40	5	DISK, VALVE
41	5	SEAT, VALVE
42	5	O-RING



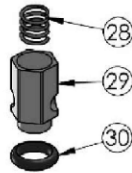
7104228
ITEM 72 SOAP INJECTOR KIT

ITEM	QTY	DESCRIPTION
31	1	FITTING, SOAP INJECTION
32	1	O-RING
33	1	O-RING
34	1	BALL, 3/16" SOAP VALVE
35	1	SPRING, SOAP VALVE



7105739
ITEM 73 UNLOADER KIT

ITEM	QTY	DESCRIPTION
9	1	NUT, UNLOADER JAM
10	1	NUT, UNLOADER ADJUSTMENT
11	1	SPRING, UNLOADER
12	1	GUIDE PUSHING, UNLOADER
13	1	O-RING
14	1	BACK-UP RING, UNLOADER VALVE
15	1	O-RING
16	1	STEM, UNLOADER
17	1	O-RING
18	1	BACK-UP RING, SPLIT



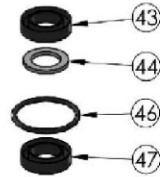
7105740
ITEM 74 UNLOADER CHECK VALVE KIT

ITEM	QTY	DESCRIPTION
28	1	SPRING, CHECK VALVE
29	1	CHECK VALVE
30	1	O-RING



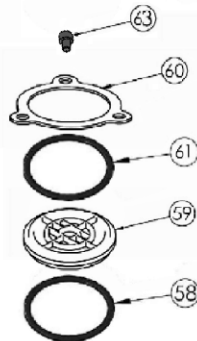
7105741
ITEM 75 OIL SEAL KIT

ITEM	QTY	DESCRIPTION
49	3	SEAL, OIL



7105742
ITEM 76 HIGH AND LOW PRESSURE SEAL KIT

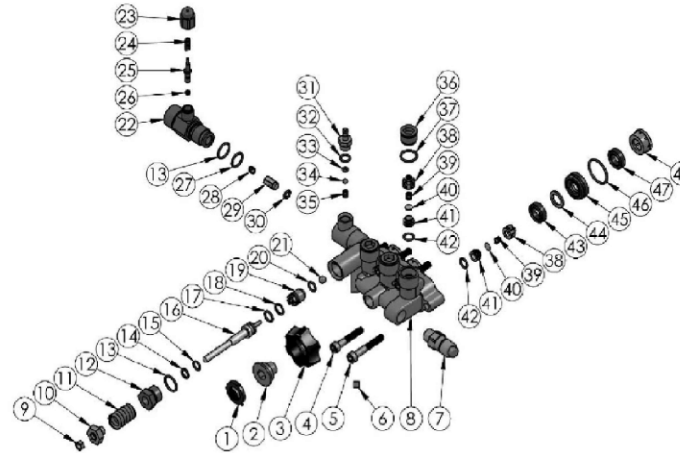
ITEM	QTY	DESCRIPTION
43	3	SEAL, HIGH PRESSURE
44	3	RING, ANTI-EXT
46	3	O-RING
47	3	SEAL, LOW PRESSURE



ITEM 77 CRANKCASE END COVER KIT

PART NO.	DESCRIPTION
7105921	CRANKCASE SIDE COVER KIT

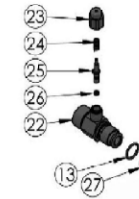
ITEM	QTY	DESCRIPTION
58	1	O-RING
59	1	SIGHT GLASS
61	1	O-RING (F18)
60	1	CRANKCASE, SIDE COVER
65	3	SCREW



7105745
ITEM 78 MANIFOLD KIT

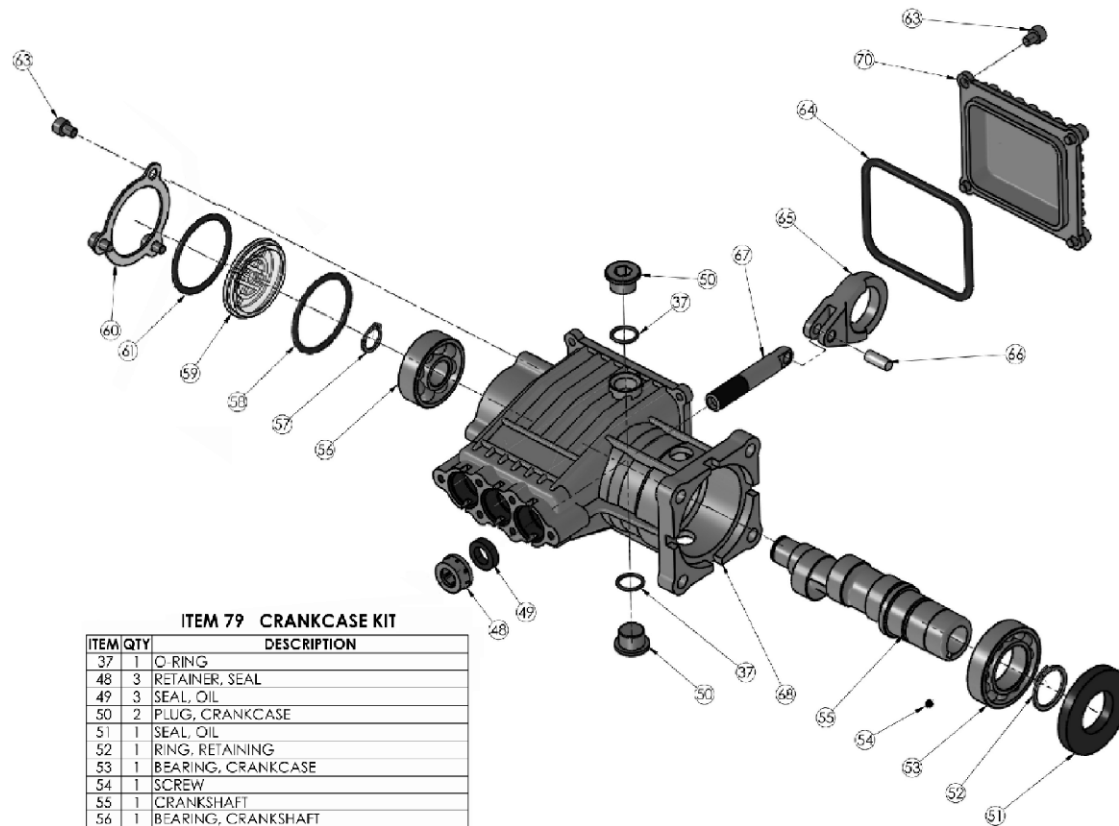
ITEM	QTY	DESCRIPTION
1	1	SCREEN, WATER INLET
2	1	CONNECTOR, WATER INLET
3	1	NUT, HAND TIGHT
4	3	SCREW
5	3	SCREW
6	1	SCREW, SET
7	1	VALVE, THERMAL RELIEF
8	1	MANIFOLD
9	1	NUT, UNLOADER JAM
10	1	NUT, UNLOADER ADJUSTMENT
11	1	SPRING, UNLOADER
12	1	GUIDE BUSHING, UNLOADER
13	2	O-RING
14	1	BACK-UP RING, UNLOADER VALVE
15	1	O-RING
16	1	STEM, UNLOADER
17	1	O-RING
18	1	BACK-UP RING, SPLIT
19	1	VALVE SEAT
20	1	O-RING
21	1	BALL, UNLOADER VALVE
22	1	BODY, SOAP INJECTOR
23	1	CAP, BOOST VALVE
24	1	SPRING, BOOST VALVE

ITEM	QTY	DESCRIPTION
25	1	VALVE, PRESSURE BOOST
26	1	O-RING
27	1	O-RING
28	1	SPRING, CHECK VALVE
29	1	CHECK VALVE
30	1	O-RING
31	1	FITTING, SOAP INJECTION
32	1	O-RING
33	1	O-RING
34	1	BALL, 3/16 SOAP VALVE
35	1	SPRING, SOAP VALVE
36	3	PLUG, MANIFOLD
37	3	O-RING
38	6	CAGE, VALVE
39	6	SPRING, VALVE
40	6	DISC, VALVE
41	6	SEAT, VALVE
42	6	O-RING
43	3	SEAL, HIGH PRESSURE
44	3	RING, ANTI-EXT
45	3	RETAINER
46	3	O-RING
47	3	SEAL, LOW PRESSURE
48	3	RETAINER SEAL



7107484
ITEM 80 OUTLET FITTING KIT

ITEM	QTY	DESCRIPTION
23	1	CAP, BOOST VALVE
24	1	SPRING, POWER BOOST VALVE
25	1	VALVE, PRESSURE BOOST
26	1	O-RING
22	1	BODY, SOAP INJECTOR
13	1	O-RING
27	1	O-RING



ITEM 79 CRANKCASE KIT

ITEM	QTY	DESCRIPTION
37	1	O-RING
48	3	RETAINER, SEAL
49	3	SEAL, OIL
50	2	PLUG, CRANKCASE
51	1	SEAL, OIL
52	1	RING, RETAINING
53	1	BEARING, CRANKCASE
54	1	SCREW
55	1	CRANKSHAFT
56	1	BEARING, CRANKSHAFT
57	1	RING, RETAINING
58	1	O-RING
59	1	SIGHT GLASS
60	1	CRANKCASE SIDE COVER
61	1	RETAINING RING
63	7	SCREW
64	1	GASKET
65	3	CONNECTING ROD
66	3	PIN, CONNECTING ROD
67	3	PISTON, CERAMIC COATED
68	1	CRANKCASE HOUSING
70	1	CRANKCASE, END COVER