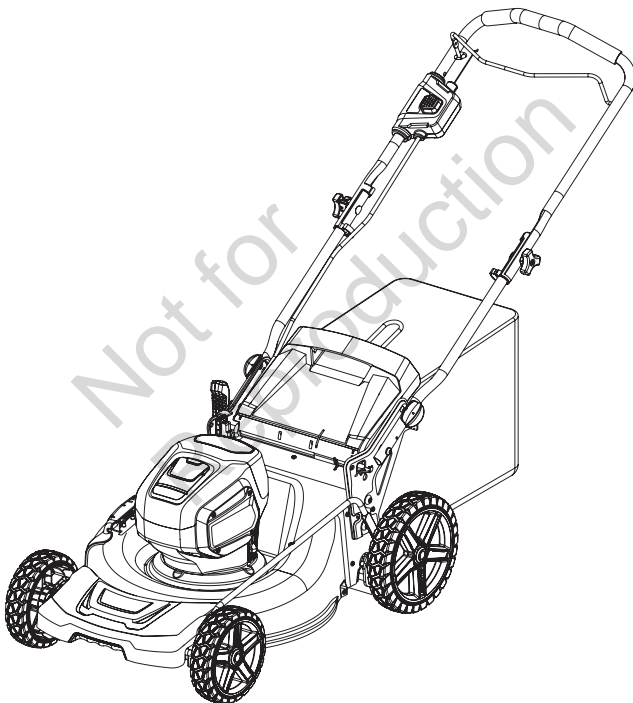




20" 48V Cordless Mower  
2691563 & 80075676 / 20WM48  
1687966 / 20WM48K



Owner's Manual

**TOLL-FREE HELPLINE: 1-800-317-7833**

[www.snapper.com](http://www.snapper.com)

---

Read all safety rules and instructions carefully before operating this tool.

# CONTENTS

---

Product Specifications.....	2
Safety Information.....	3
Symbols.....	8
Features and Controls.....	10
Assembly.....	11
Operation.....	18
Maintenance.....	25
Environmentally Safe Battery Disposal.....	29
Troubleshooting.....	30
Warranty.....	31
Exploded View.....	34
Parts List.....	35

## PRODUCT SPECIFICATIONS

---

### 48V 20" CORDLESS MOWER

Battery type.....	48 V Lithium-ion
No-load speed.....	2800 RPM
Deck size.....	20" (50.8 cm)
Height adjustments.....	1 3/8 - 3 3/4" (3.5 - 9.5 cm)
Torque (for the blade bolt).....	24-27 lb-ft (33-37 Nm)
Functions.....	3-in-1: Mulch, side discharge or rear bag
Weight (without battery).....	53.6 lbs (24.3 kg)

**Disclaimer: \*Maximum initial battery voltage (measured without a workload) is 48 volts. Nominal voltage is 43.**

# SAFETY INFORMATION

---

## READ ALL INSTRUCTIONS

---

### **⚠ WARNING**

This mower is capable of amputating hands and feet and throwing objects. Failure to observe the following safety instructions could result in serious injury or death.

---

### **⚠ WARNING**

When using electric lawn mowers, basic safety precautions should always be followed to reduce the risk of fire, electric shock, and personal injury, including the following:

---

## 1. GENERAL OPERATION

- Avoid Dangerous Environment – Don't use lawn mowers in damp or wet locations.
  - Don't Use In Rain.
  - Keep Children Away – All visitors should be kept a safe distance from work area.
  - Dress properly. Do not wear loose clothing or jewelry that can get caught in moving parts. The wearing of protective gloves and safety footwear is recommended.
  - Use Safety Glasses – Always use face or dust mask if operation is dusty.
  - Use Right Appliance – Do not use lawn mower for any job except that for which it is intended.
  - Don't Force Lawn Mower – It will do the job better and safer at the rate for which it was designed.
  - Don't Overreach – Keep proper footing and balance at all times.
  - Stay Alert – Do not operate the mower when you are tired. Pay attention to what you are doing. Use common sense.
  - Store Idle Lawn Mower Indoors – When not in use, lawn mower should be stored in an indoor dry and locked-up place – out of reach of children.
  - Maintain Lawn Mower With Care – Keep cutting edges sharp and clean for best and safest performance.
  - Follow instructions for lubricating and changing accessories.
  - Keep handles dry, clean, and free from oil and grease.
-

# SAFETY INFORMATION

---

- Keep safety devices (guards, shields, switches etc.) in place and working.
- Keep blades sharp.
- Keep hands and feet away from cutting area.
- Objects struck by the lawn mower blade can cause severe injuries to persons. The lawn should always be carefully examined and cleared of all objects prior to each mowing.
- If lawn mower strikes a foreign object, follow these steps:
  - i) Stop lawn mower. Release the switch.
  - ii) Remove battery.
  - iii) Inspect for damage.
  - iv) Repair any damage before restarting and operating the lawn mower.
- Use identical replacement blades only.
- Do not charge lawn mower in rain, or in wet locations.
- Remove or disconnect battery before servicing, cleaning, or removing material from the lawn mower.
- Use only approved replacement batteries, other batteries may cause injury or damage to the mower. For use only with Briggs & Stratton batteries BSB2AH48 or BSB5AH48 and Briggs & Stratton charger BS2AC48.
- Do not dispose of the battery in a fire. The cell may explode. Check with local codes for possible special disposal instructions.
- Do not open or mutilate the battery. Released electrolyte is corrosive and may cause damage to the eyes or skin. It may be toxic if swallowed.
- Exercise care in handling batteries in order not to short the battery with conducting materials such as rings, bracelets, and keys. The battery or conductor may overheat and cause burns.
- Read, understand, and follow all instructions on the machine and in the manual(s) before starting.
- Only allow responsible adults who are familiar with the instructions to operate this machine.
- Clear the area of objects such as rocks, wire, toys, etc., which could be thrown by the blade. Stay behind the handle when the engine (motor) is running.
- Be sure the area is clear of bystanders before operating. Stop machine if anyone enters the area.



# SAFETY INFORMATION

---

- Do not operate machine barefooted or while wearing sandals. Always wear substantial footwear.
- Do not pull machine backward unless absolutely necessary. Always look down and behind before and while moving backward.
- Never direct discharged material toward anyone. Avoid discharging material against a wall or obstruction. Material may ricochet back toward the operator. Stop the blade when crossing gravel surfaces.
- Do not operate machine without the entire grass catcher, discharge guard, rear guard, or other safety protective devices in place and working.
- Never leave a running machine unattended.
- Stop the motor and wait until the blade comes to a complete stop before removing the grass catcher or unclogging the chute.
- Operate machine only in daylight or good artificial light.
- Do not operate machine while under the influence of alcohol or drugs.
- Never operate mower in wet grass. Always be sure of your footing; walk, never run.
- Disengage the drive system, if so equipped, before starting the motor.
- If the machine should start to vibrate abnormally, stop the motor and check for the cause immediately. Vibration is generally a warning of trouble.
- Always wear eye protection when operating machine.
- See manufacturer's instructions for proper operation and installation of accessories. Only use accessories approved by the manufacturer.

## 2. SLOPE OPERATION

- Slopes are a major factor related to slip and fall accidents, which can result in severe injury. Operation on all slopes requires extra caution. If you feel uneasy on a slope, do not mow it.
- Mow across the face of slopes; never up and down. Exercise extreme caution when changing direction on slopes.
- Watch for holes, ruts, bumps, rocks, or other hidden objects. Uneven terrain could cause a slip and fall accident. Tall grass can hide obstacles.
- Do not mow on wet grass or excessively steep slopes. Poor footing could cause a slip and fall accident.

# SAFETY INFORMATION

---

## 3. CHILDREN

Tragic accidents can occur if the operator is not alert to the presence of children. Children are often attracted to the machine and the mowing activity. Never assume that children will remain where you last saw them.

- Keep children out of the mowing area and under the watchful care of a responsible adult.
- Stay alert, and turn the mower off if a child or any other person enters the mowing area.
- Never allow children to operate the machine
- Use extreme care when approaching blind corners, doorways, shrubs, trees, or other objects that may obscure your view of a child who may run into the path of the mower.

## 4. SERVICE

- Keep all nuts, bolts, and screws tight in order to be sure that the equipment is in safe working condition.
- Never remove or tamper with safety devices. Check their proper operation regularly. Never do anything to interfere with the intended function of a safety device or to reduce the protection provided by a safety device.
- Keep machine free of grass, leaves, or other debris build up. Allow machine to cool before storing.
- After striking a foreign object, stop the motor. Thoroughly inspect the mower for any damage. Repair any damage before operating the mower.
- Never make any adjustments or repairs with the motor running.
- Always remove battery pack from mowers before adjusting, cleaning, or repairing.
- Check grass catcher components and the discharge guard frequently and replace with manufacturer's recommended parts, when necessary.
- Mower blades are sharp, and can cut. Wrap the blades or wear gloves, and use extra caution when servicing.
- Maintain or replace safety and instruction labels, as necessary.

# SAFETY INFORMATION

---

## **▲ WARNING ( PROPOSITION 65 )**

This product contains a chemical known to the state of California to cause cancer, birth defects or other reproductive harm.

Some dust created by power sanding, sawing, grinding, drilling and other construction activities contains chemicals known to cause cancer, birth defects or other reproductive harm. Some examples of these chemicals are:

- Lead from lead-based paints,
- Crystalline silica from bricks and cement and other masonry products, and
- Arsenic and chromium from chemically-treated lumber.

Your risk of exposure to these chemicals varies depending on how often you do this type of work. To reduce your exposure to these chemicals, work in a well-ventilated area, and work with approved safety equipment, such as dust masks that are specially designed to filter out microscopic particles.

---


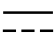





Not for  
Reproduction

**SAVE THESE INSTRUCTIONS**






---

# SYMBOLS




Some of the following symbols may be used on this product. Please study them and learn their meaning. Proper interpretation of these symbols will allow you to operate the product better and safer.

SYMBOL	NAME	DESIGNATION/EXPLANATION
V	Volts	Voltage
A	Amperes	Current
Hz	Hertz	Frequency (cycles per second)
W	Watt	Power
min	Minutes	Time
	Alternating Current	Type of current
	Direct Current	Type or a characteristic of current
$n_0$	No Load Speed	Rational speed, at no load
	Class II Construction	Double-insulated construction
/min	Per Minute	Revolutions, strokes, surface speed, orbits etc., per minute
	Wet Conditions Alert	Do not expose to rain or use in damp locations.
	Read The Operator's Manual	To reduce the risk of injury, user must read and understand operator's manual before using this product.
	Safety Alert	Precautions that involve your safety.
	Eye Protection	Always wear eye protection with side shields marked to comply with ANSI Z87.1 when operating this equipment.

# SYMBOLS

	Keep Hands and Feet Away	Keep hands and feet away from blade and cutting area.
	No Reach	Do not reach hands or feet under mower deck.
	No Slope	Do not operate on inclines greater than 15°. Mow across the face of slopes, never up and down.
	Keep Bystanders Away	Keep all bystanders at least 100 ft. away.
	Ricochet	Pay attention that bystanders are not injured through foreign objects thrown from the mower.

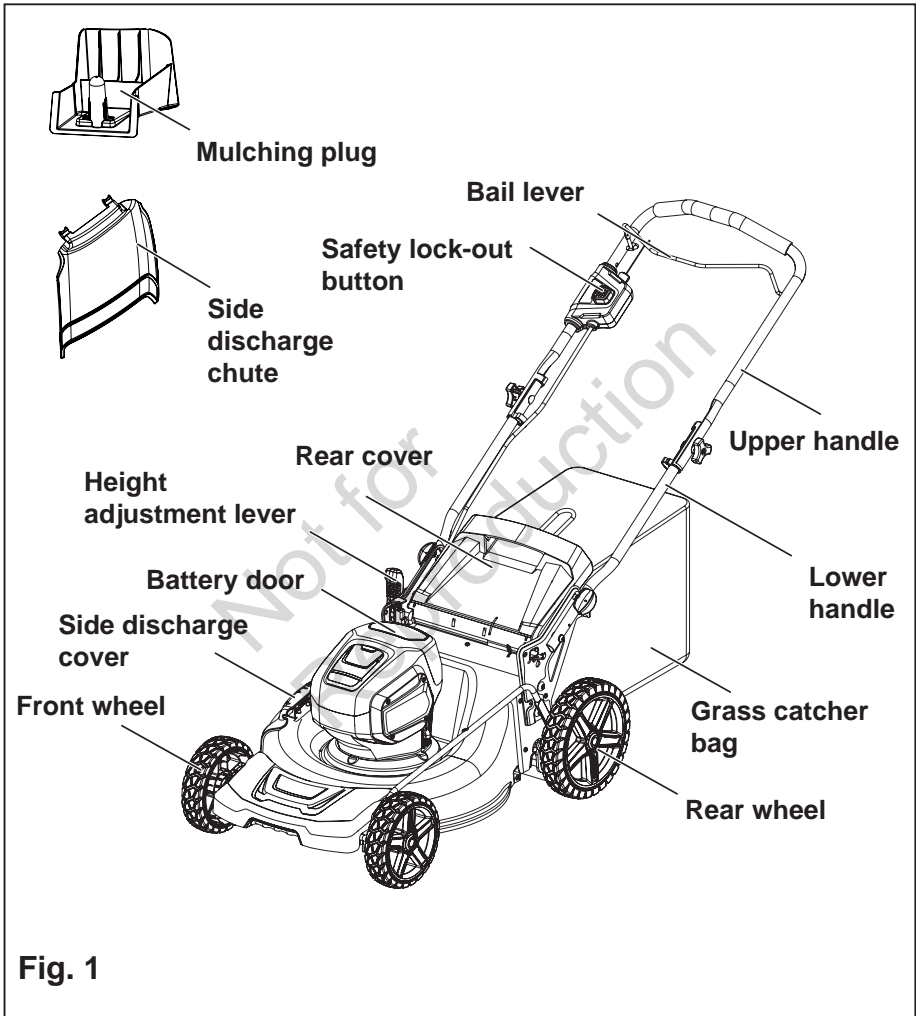
The following signal words and meanings are intended to explain the levels of risk associated with this product.

SYMBOLS	SIGNAL	MEANING
	<b>DANGER</b>	Indicates an imminently hazardous situation, which, if not avoided, will result in death or serious injury.
	<b>WARNING</b>	Indicates a potentially hazardous situation, which, if not avoided, could result in death or serious injury.
	<b>CAUTION</b>	Indicates a potentially hazardous situation, which, if not avoided, may result in minor or moderate injury.
	<b>CAUTION</b>	(Without Safety Alert Symbol) Indicates a situation that may result in property damage.

**SAVE THESE INSTRUCTIONS**

# FEATURES AND CONTROLS

Read this operator's manual and safety rules before operating your mower. Compare the illustration in Figure 1 to your mower in order to familiarize yourself with the location of various controls and adjustments. Save this manual for future reference.



**Fig. 1**

# ASSEMBLY

---

## UNPACKING

- Carefully remove the product and any accessories from the box. Make sure that all items listed in the packing list are included.
- Inspect the product carefully to make sure no breakage or damage occurred during shipping.
- Do not discard the packing material until you have carefully inspected and satisfactorily operated the product.
- If any parts are damaged or missing, please call 1-800-317-7833 for assistance.

---

## **▲ W A R N I N G**

If any parts are damaged or missing do not operate this product until the parts are replaced. Using a product with damaged or missing parts could result in serious personal injury.

---

---

## **▲ W A R N I N G**

Do not attempt to modify this product or create accessories not recommended for use with this product. Any such alteration or modification is misuse and could result in a hazardous condition leading to possible serious personal injury.

---

---

## **▲ W A R N I N G**

Do not insert battery until assembly is complete and you are ready to mow. Failure to comply could result in accidental starting and possible serious personal injury.

---

---

## **▲ W A R N I N G**

To prevent accidental starting that could cause serious personal injury, always remove the battery pack from the product when assembling parts.

---

---

## **▲ W A R N I N G**

Never operate the mower without the proper safety devices in place and working. Never operate the mower with damaged safety devices. Operation of this product with damaged or missing parts could result in serious personal injury.

---

# ASSEMBLY

---

## UNFOLDING AND ADJUSTING LOWER HANDLE (See Figure 2)

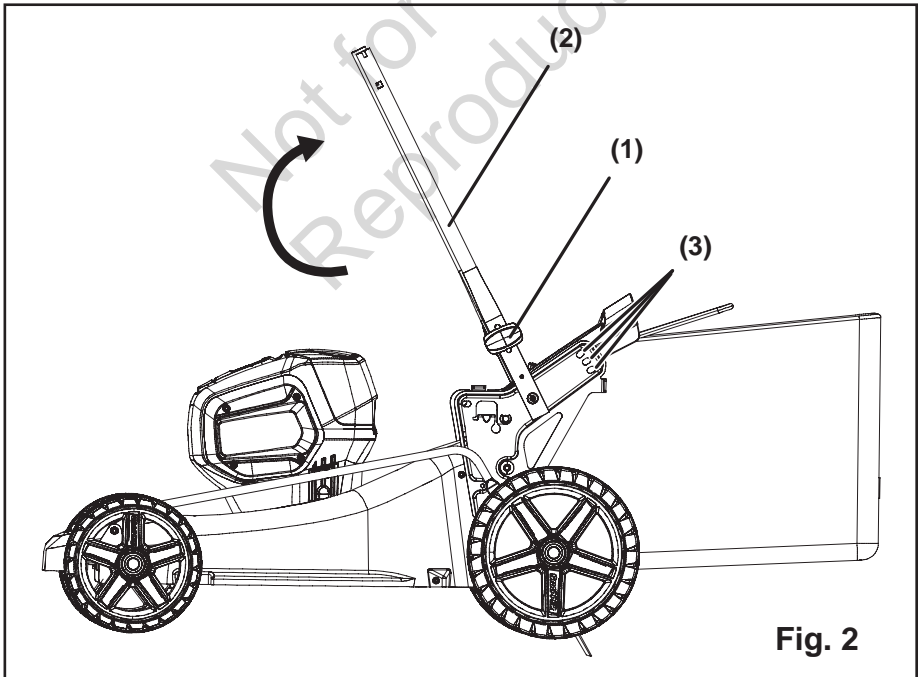
### **⚠ WARNING**

Folding or unfolding the handle improperly can damage the cables, causing an unsafe operating condition.

- Do not damage the cables when folding or unfolding the handle.
  - If a cable is damaged, contact an Authorized Service Dealer.
- 

- Pull and rotate the handle knobs (1) 90° on both sides to loosen the lower handles (2) on both sides.
- Move the lower handles to the operating position. You may raise or lower the handle to a position comfortable for you. There are 3 positions (3) for you to choose. Release the handle knobs to lock the lower handle into position.

*Note: Ensure both sides are set at the same position for proper assembly.*



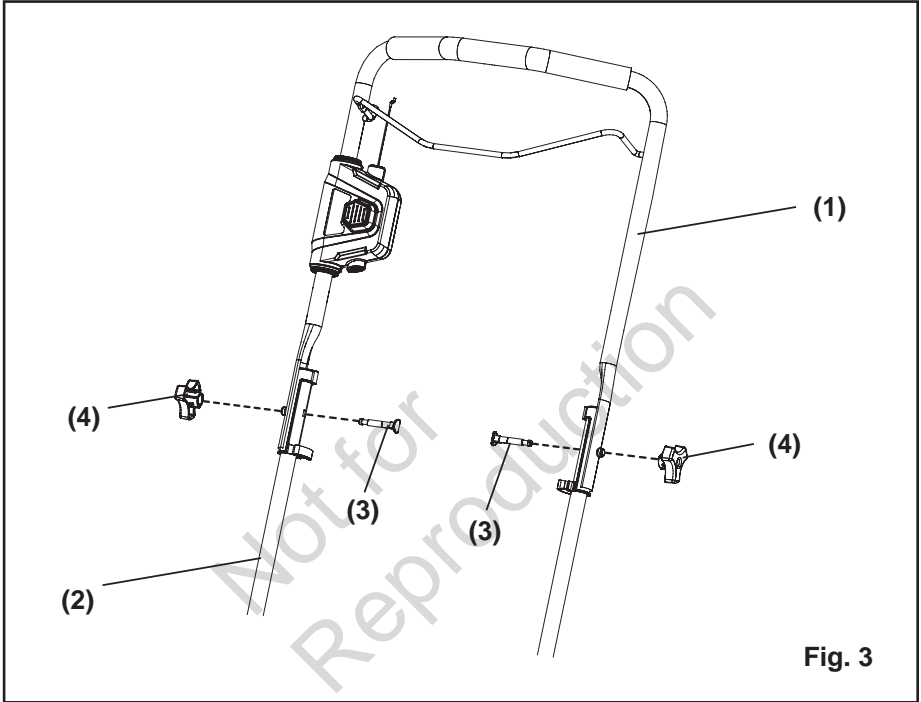


# ASSEMBLY

---

## INSTALLING THE UPPER HANDLE (See Figure 3)

- Align the mounting holes on the upper handle (1) and the lower handle (2). Insert the bolts (3) and use the knobs (4) to tighten them. Repeat the operation on the other side.



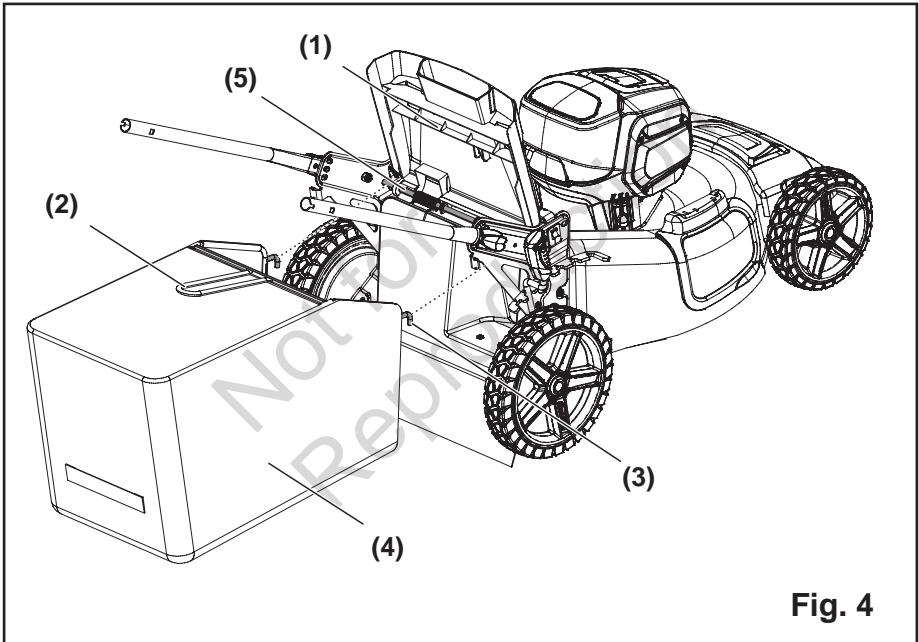
# ASSEMBLY

---

## INSTALLING THE GRASS CATCHER BAG (See Figure 4)

- Lift the rear cover (1).
- Lift the grass catcher by its handle (2) and place under the rear cover so that the hooks (3) on the grass catcher (4) are seated on the door rod (5).
- Release the rear cover. When installed correctly, the hooks on the grass catcher will extend through the openings on the rear cover.

*NOTE: When using the grass catcher, do not install either the side discharge deflector or the mulching plug.*

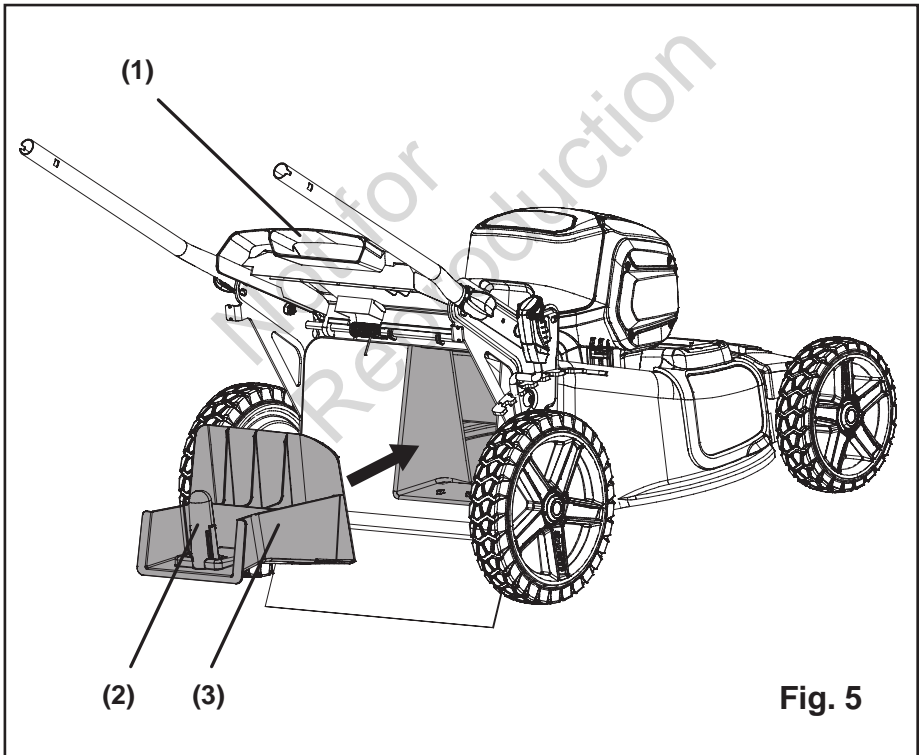


# ASSEMBLY

---

## INSTALLING/REMOVING THE MULCHING PLUG (See Figure 5)

- To remove the mulching plug, lift the rear cover (1).
- Grasp the handle (2) of the mulching plug. Lift and pull the mulching plug out using the handle.
- The mulching plug (3) is inserted at an angle, so it requires some force to remove it.
- The mulching plug must be removed in order to install the grass catcher bag.
- The mulching plug must be re-installed when the grass catcher bag is removed.



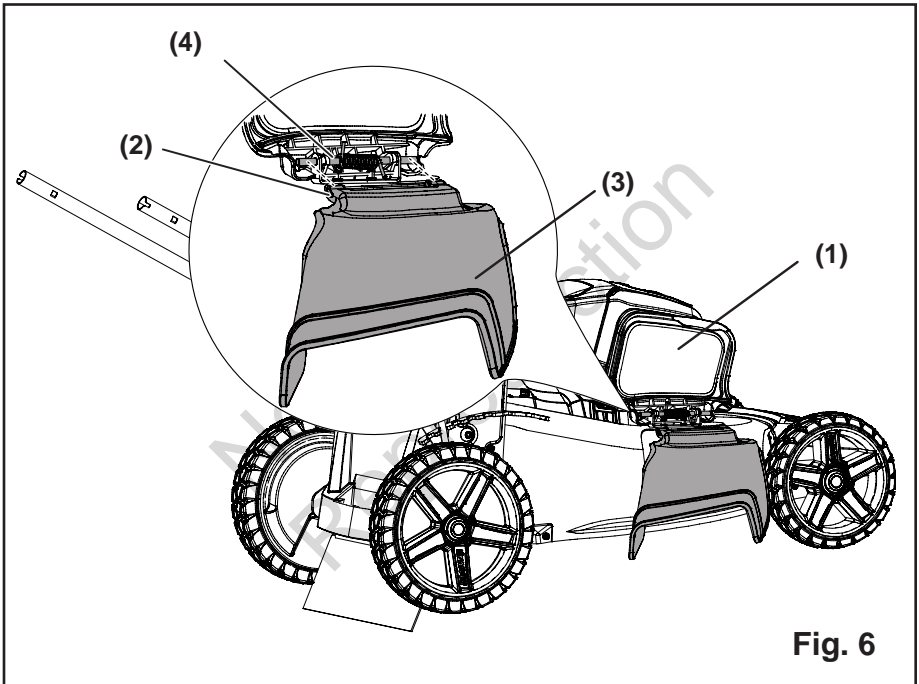
**Fig. 5**

# ASSEMBLY

---

## INSTALLING SIDE DISCHARGE CHUTE (See Figure 6)

- Lift the side discharge cover (1).
- Align the grooves (2) on the discharge chute (3) with the pins (4) on the underside of the discharge cover (1).
- Lower the discharge chute until the hooks on the mower deck are secured in the openings in the discharge chute.
- Release the side discharge cover.



# ASSEMBLY

---

## TO INSTALL BATTERY PACK (See Figure 7)

- Lift and hold up the battery door (1).
- Align the battery (2) with the mower's battery port.
- Make sure the battery release button (3) snaps in place and that battery is fully seated and secure in the mower before beginning operation.
- Insert the safety key (4). If the machine is not going to be used immediately, do not insert the safety key.
- Close the door.

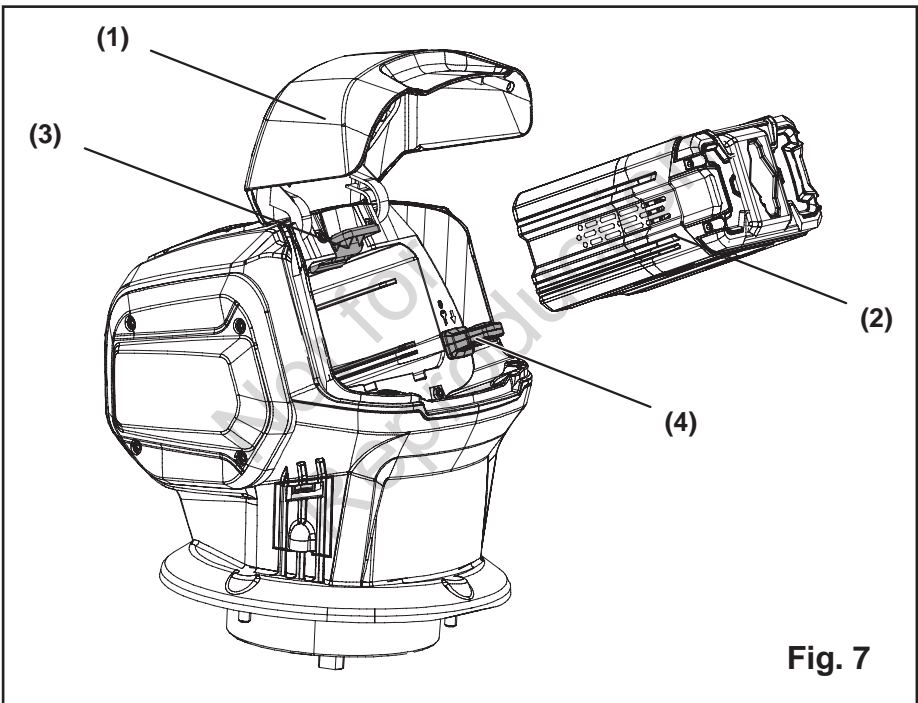


Fig. 7

## TO REMOVE BATTERY PACK (See Figure 7)

- Release the bail lever to stop the mower.
- Open the battery door. Remove the safety key.
- Press the battery release button (3) on the mower. This will cause the battery to raise out of the tool slightly.
- Remove battery from the mower.

# OPERATION

---

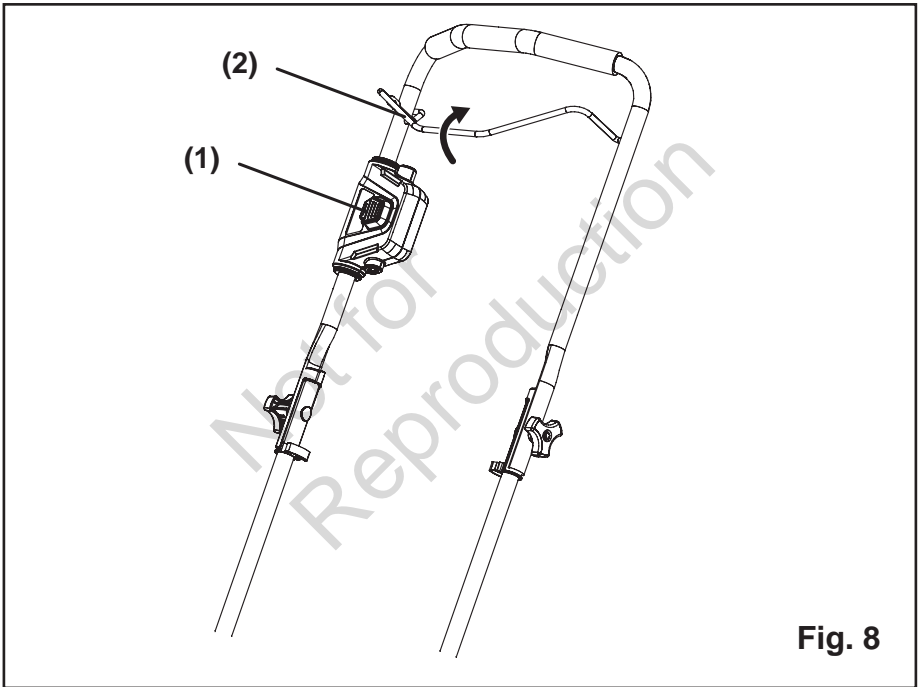
## **STARTING/STOPPING THE MOWER** (See Figure 8)

### **To start the motor:**

- Open the battery door. Insert the battery. Insert the safety key.
- Press and hold the safety lock-out button (1).
- Pull the bail lever (2) upward to the handle to start the mower and release the button.

### **To stop the motor:**

- Release the bail lever.



# OPERATION

---

## **Soft-Start**

This LI-ION mower is equipped with a “soft-start” feature. When initially starting up, the mower will take approx. 3 seconds to get up to full speed. If the mower does not initially start: Remove the battery and check under the mower deck to ensure there is nothing obstructing the blade and that the blade can spin freely by hand. Even a small amount of grass on start up will prevent the “softstart” from turning the mower on.

---

## **⚠ CAUTION**

Do not attempt to override the operation of the safety lock-out button or bail lever.

---

## **⚠ WARNING**

The operation of any mower can result in foreign objects being thrown into the eyes, which can cause severe eye damage. Always wear safety glasses while operating the mower and while performing any adjustments or repairs.

---

**INSPECT THE CUTTING AREA.** Remove all stones, sticks, wire, bones, and other debris that might be thrown by the rotating blades.

# OPERATION

## CUTTING HEIGHT ADJUSTMENT (See Figure 9)

When shipped, the wheels on the mower are set to a low-cutting position. Before using the mower for the first time, raise the cutting position to the height best suited for your lawn. The average lawn should be between 1 1/2" to 2" (3.8 to 5 cm) during cool months and between 2" and 3 1/2" (5 cm to 8.3 cm) during hot months.

### To adjust the blade height:

- To raise the blade height, grasp the height adjustment lever (1) and move it toward the back of the mower.
- To lower the blade height, grasp the height adjustment lever (1) and move it toward the front of the mower.

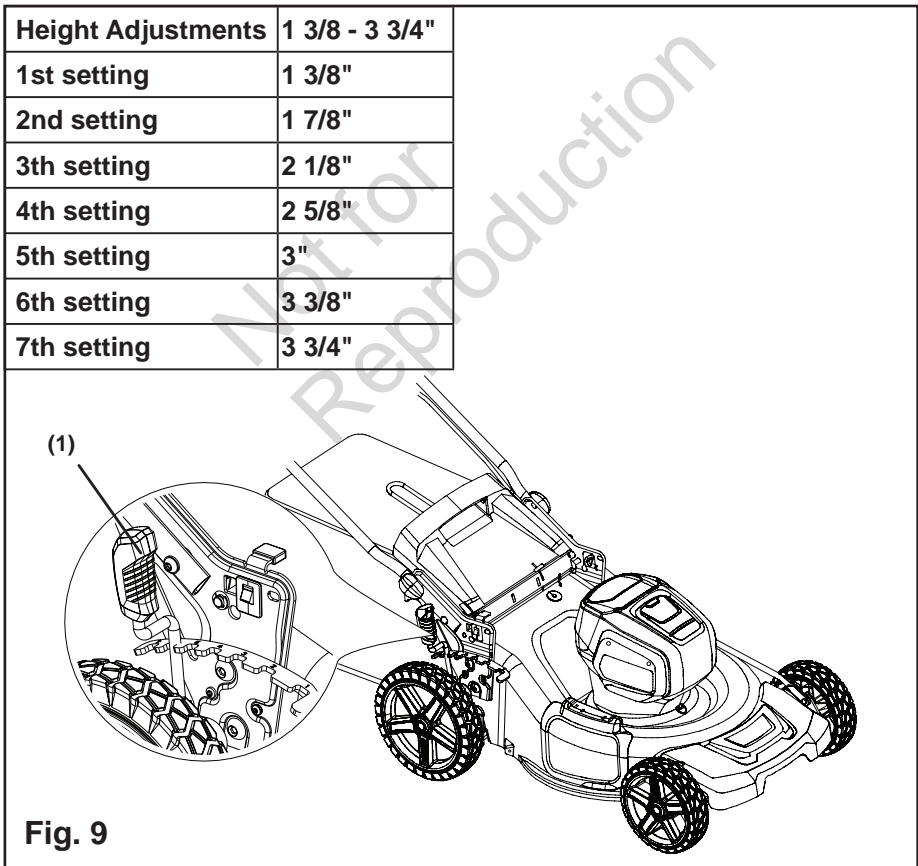


Fig. 9



# OPERATION

---

## SLOPE GAUGE (See Figure 10)

---

### **▲ W A R N I N G**

Slopes are a major factor related to accidents involving slips and falls, which can result in severe injury. Operating the mower on a slope requires extra caution. If you feel uneasy on a slope, do not mow it. For your safety, use the slope gauge that is included as part of this manual to measure slopes before operating this unit on a sloped or hilly area.

---

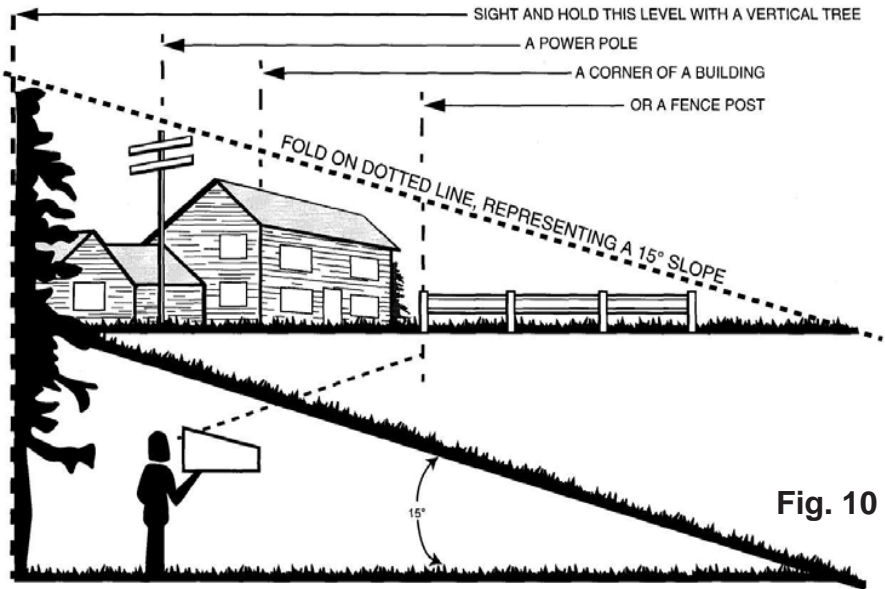
- Mow across the face of a slope, and never up and down. Exercise extreme caution when changing direction on a slope.
  - Watch for holes, ruts, rocks, hidden objects, or bumps that may cause a slip or a trip. Tall grass can hide obstacles.
  - Always be sure of your footing. If you feel like you are losing your balance, release the blade/motor control handle immediately. The blade will stop rotating within 3 seconds.
  - Do not mow near drop-offs, ditches, or embankments, because you could lose your footing or balance.
  - Do not mow a slope that has an angle of greater than 15°, as determined using the slope gauge.
  - Do not mow wet or damp grass. Unstable footing can cause slipping.
- 

### **▲ W A R N I N G**

Do not mow a slope that has an angle of greater than 15° (a rise of approximately 2 1/2 feet [.75 m] every 10 feet [3 m]). Mow across the face of a slope, and never up and down.

---

# OPERATION



Not for  
Reproduction

# OPERATION

---

## MOWING TIPS

---

*NOTE: A sharp blade will greatly enhance the performance of the mower, especially when cutting high grass. Be sure to check the blade and to sharpen it at least once per year, as described in the Maintenance section.*

- Verify that the lawn is free of stones, sticks, wires, and other objects that could damage the blades or the motor. These objects could be accidentally thrown by the mower in any direction, and could cause serious personal injury to the operator and to others. In order to prevent electric shock, do not operate the mower in damp or wet conditions.
- Do not mow in circles. Travel back and forth across the lawn.
- When cutting thick grass, reduce walking speed in order to allow for a more effective cut and a proper discharge of the clippings.
- For a healthy lawn, always cut off one-third or less of the total length of the grass. The average lawn should be approximately 1 1/2 to 2" (3.8 to 5 cm) long during cool months, and between 2" to 3 1/4" (5 cm to 8.3 cm) long during hot months. If there is growth, the lawn should be cut in the fall.

## MULCHING TIPS

---

*NOTE: INSPECT THE AREA WHERE THE MOWER IS TO BE USED, AND REMOVE ALL STONES, STICKS, WIRE, BONES, AND OTHER DEBRIS THAT MIGHT BE THROWN BY THE ROTATING BLADE.*

- Release the bail lever to turn the mower OFF when crossing any graveled area (stones can be thrown by the blade).
- Set mower to the highest cutting height when mowing on uneven ground or in tall weeds.
- For effective mulching, do not cut wet grass, because it tends to stick to the underside of the deck, preventing proper mulching of grass clippings. New or thick grass may require a narrower cut. The ground speed should be adjusted to the condition of the lawn. If mowing has been delayed and the grass has been allowed to grow longer than 4" (10 cm), mow the lawn twice in order to reduce the grass height to a maximum of 3 1/4" (8.3 cm).
- Walk at a steady pace. Overlap the cutting rows. Do not let the grass get too tall. If the grass gets too tall, start at the highest cutting position and work down to the desired cutting height.

---

## **▲ W A R N I N G**

If you strike a foreign object, stop the motor and remove the battery. Thoroughly inspect the mower for any damage. Repair any damage before operating the mower. Excessive vibration of the mower during operation is an indication of damage. Thoroughly inspect the mower and repair any damage before operating the mower.

---

# OPERATION

---

## **EMPTYING THE GRASS CATCHER BAG** *(See Figure 11)*

- Stop mower, allow blades to completely stop, and remove the battery.
- Lift the rear discharge cover.
- Lift the grass catcher bag by its handle to remove from mower.
- Empty grass clippings.
- Lift the rear discharge cover and reinstall the grass catcher bag as described earlier in this manual.



**Fig. 11**

# MAINTENANCE

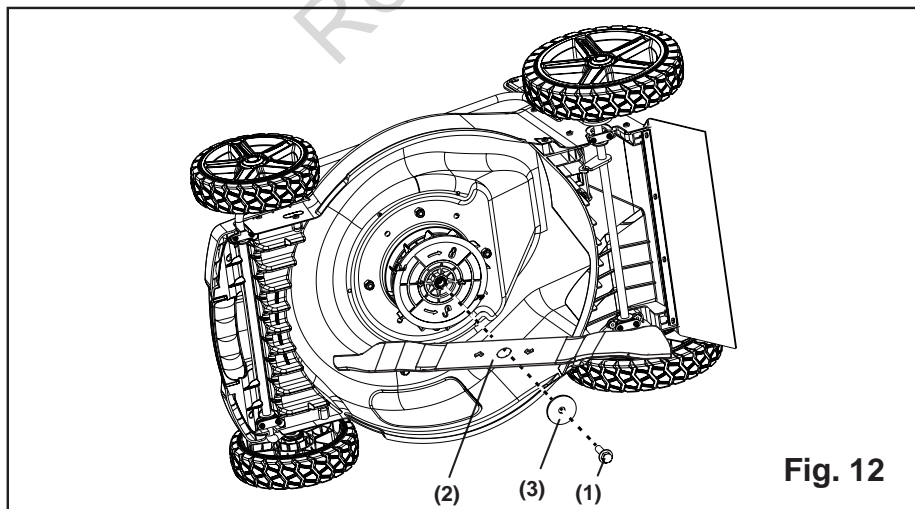
## REPLACING THE CUTTING BLADE (See Figure 12)

### **▲ W A R N I N G**

Always protect your hands by wearing heavy gloves and/or wrapping the cutting edges with rags or other materials when performing any maintenance on the blades. ALWAYS remove the battery when servicing or transporting the mower.

- REMOVE BATTERY.
- While wearing leather padded gloves, wedge a block of wood between the blade and the mower deck in order to prevent the blade from turning when the bolt (1) is being removed.
- Using an adjustable wrench or 27 mm socket, loosen the bolt (1), spacer (3) and remove the blade (2). Turn the bolt "COUNTERCLOCKWISE" to loosen it and "CLOCKWISE" to tighten it.
- Remove the bolt (1), spacer (3) and the blade (2).
- To re-install the blade, position the blade with the cutting edges toward the ground. Assemble the bolt as shown. Torque the blade bolt down clockwise using a torque wrench (not provided) to ensure the bolt is properly tightened. The recommended torque for the blade bolt is 24-27 lb-ft (33-37 Nm).

*NOTE: Be sure to replace the parts in the exact order in which they were removed. When installing the cutting blade, verify that it is installed with the curved ends pointing toward the mower deck, and not toward the ground.*



**Fig. 12**

# MAINTENANCE

---

## CLEANING THE MOWER

---

### **▲ W A R N I N G**

In order to reduce the risk of electric shock, do not expose the mower to water. The underside of the mower deck should be cleaned after each use, because grass clippings, leaves, dirt, and other debris will accumulate, which will cause rust and corrosion.

---

Remove any build-up of grass and leaves on or around the motor cover (do not use water). Occasionally wipe the mower clean with a dry cloth. If debris builds up on the underside of the mower during use, stop the motor, disconnect it from the battery, and then tilt the mower on its side, and scrape it clean using an appropriate tool.

### **STORING THE MOWER**

The following steps should be taken in order to prepare the lawn mower for storage.

- Clean the mower as described in the previous section.
- Inspect the blade, and replace it or sharpen it, if required, refer to the Maintenance section.
- Store the mower in a dry, clean location. Do not store it next to corrosive materials, such as fertilizer or rock salt.
- Store the mower indoors, in a cool, dry place, out of the reach of children. Do not cover the lawn mower with a solid plastic sheet. Plastic coverings trap moisture around the mower, which causes rust and corrosion.
- Remove the battery and store it in a cool dry location.
- Remove the battery and store in a secure location out of the reach of children.

### **▲ W A R N I N G**

This battery must be charged every 3 months while in storage to maintain maximum capacity.

---

# MAINTENANCE

---

- When servicing the mower, use only identical replacement parts that are available from the manufacturer. In order to obtain replacement parts, call the toll-free helpline, at 1-800-317-7833. The use of parts that do not meet the original equipment specifications may lead to improper performance, and may compromise safety.
- Before cleaning, repairing, or inspecting, verify that the blade and all moving parts have come to a complete stop. Remove the battery when making any adjustments or when any of the four wheels must be lifted off the ground.
- Follow the instructions for lubricating and changing accessories.
- Keep the handles dry, clean, and free of oil and grease.
- In order to reduce the risk of fire, keep the motor free of grass, leaves, and debris build-up.
- Check the blade and motor mounting bolts for proper tightness frequently. Visually inspect blade for damage (e.g., bent, cracked, or worn).
- For best and safest performance, maintain the mower with care. Keep the mower blade sharp and clean. Mower blades are sharp, and can cut. Wrap the blades or wear gloves, and use extra caution when servicing.
- Keep all nuts, bolts, and screws tight in order to be sure that the equipment is in safe working condition.
- Never tamper with safety devices. Check them regularly for proper operation.
- After striking a foreign object, stop the motor. Thoroughly inspect the mower for any damage. Repair any damage before operating the mower.
- The grass catcher components, discharge cover, and trail shield are subject to wear and damage, which could expose moving parts or allow objects to be thrown. As a safety precaution, check these components frequently, and immediately replace any parts that show signs of wear, or that are cracked or broken. Use original equipment manufacturer's (OEM) parts only, as listed in this manual.
- When it is not in use, store the mower indoors in a dry area, and out of the reach of children.

---

## **▲ W A R N I N G**

Always remove battery when servicing or transporting the mower.

---

# MAINTENANCE

---

## VERTICAL STORAGE FUNCTION (See Figure 13)

- Remove the battery from the mower. Remove the grass catcher bag.
- Rotate the handle knobs to the unlocked position.
- Lower the handle assembly and rotate the handle knobs to the locked position.
- Lift the mower by the front end to the vertical position.

---

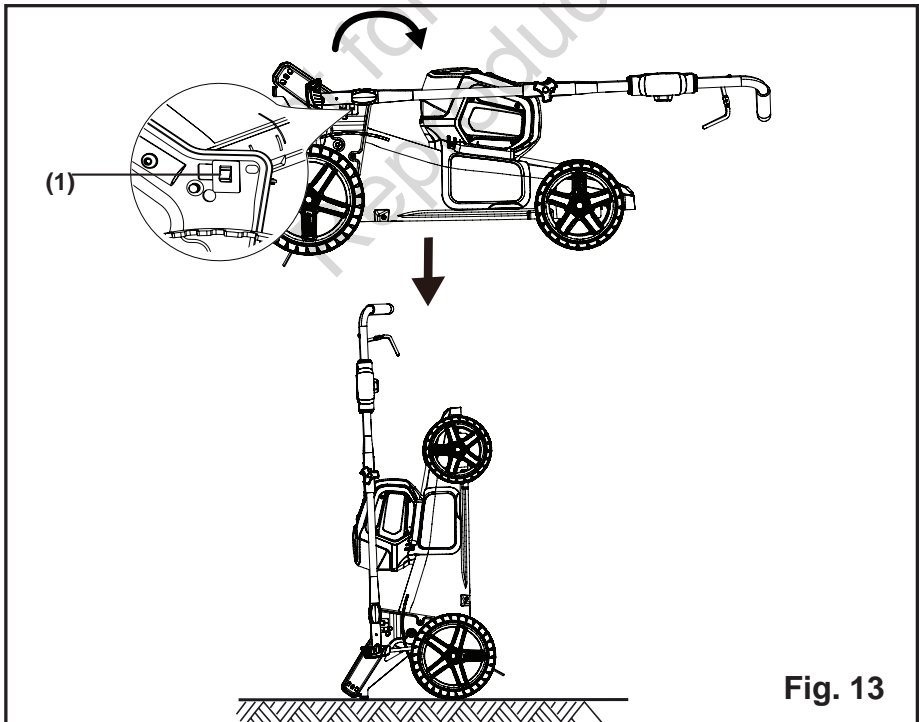
### **▲ WARNING**

Always remove the battery from the mower before placing the unit in the vertical storage position.

---

### **STORAGE SWITCH:**

When the handle is rotated into the fully locked storage position, the mower is equipped with a storage switch (1) that will disable the mower from running in the storage position. The storage switch (1) does not replace the need to remove the safety key and battery to prevent accidental start-up or unauthorized use.



**Fig. 13**



# ENVIRONMENTALLY SAFE BATTERY DISPOSAL

---

The following toxic and corrosive materials are in the batteries used in this tool battery pack: **Lithium-Ion, a toxic material.**



---

## **▲ W A R N I N G**

Toxic materials must be disposed of in a specified manner in order to prevent contamination of the environment. Before disposing of damaged or worn out Lithium-Ion battery packs, contact your local waste disposal agency for information and specific instructions. Take the battery to a local recycling and/or disposal centre that is certified for disposal. If the battery pack cracks or breaks, whether it leaks or not, do not recharge it and do not use it. Dispose of it and replace it with a new battery pack. **DO NOT ATTEMPT TO REPAIR IT!**

---

Follow these instructions in order to avoid injury and the risk of fire, explosion, or electric shock, and to avoid damage to the environment:

- Cover the battery's terminals with heavy-duty adhesive tape.
- Do not attempt to remove or destroy any of the components of the battery pack.
- Do not attempt to open the battery pack.
- If a leak develops, the electrolytes that are released are corrosive and toxic. Do not get the solution in the eyes or on the skin, and do not swallow it.
- Do not place batteries in regular household trash.
- DO NOT incinerate batteries.
- DO NOT place batteries where they will become part of any waste landfill or municipal solid waste stream.
- Dispose of batteries at a certified recycling or disposal center.

# TROUBLESHOOTING

<b>PROBLEM</b>	<b>POSSIBLE CAUSE</b>	<b>SOLUTION</b>
The mower does not start.	The battery is not charged.	Charge the battery.
	The switch is defective.	Replace the switch (Contact an authorized service center).
	Grass jammed between the deck and blade.	Remove battery; check under deck for jams.
	The battery is not fully inserted in the mower.	Check the connection between the battery and the mower. Make sure the battery clicks into place.
	Battery may require service or replacement.	Contact an authorized service center or replace battery.
The mower cuts the grass unevenly.	The lawn is rough or uneven.	Check the mowing area.
	The cutting height is not set properly.	Move the wheels to a higher setting.
The mower does not mulch properly.	Wet grass clippings are sticking to the underside of the deck.	Wait until the grass dries before mowing.
	The mulching plug is missing.	Install the mulching plug.
The mower is hard to push.	The grass is too tall, or the cutting height is too low.	Raise the cutting height.
	The rear of the grass catcher bag is dragging in thick grass.	Empty the grass clippings from the grass catcher bag.
The mower is excessively noisy and vibrates.	The motor shaft is bent.	Stop the motor, and inspect for damage.
	The blade is unbalanced.	Repair before restarting. If vibration persists, contact an authorized service center.

# LIMITED WARRANTY

---

Briggs & Stratton warrants that, during the warranty period specified below, it will repair or replace, free of charge, any part that is defective in material or workmanship or both. Transportation charges on product submitted for repair or replacement under this warranty must be borne by purchaser. This warranty is effective for and is subject to the time periods and conditions stated below. For warranty service, find the nearest Authorized Service Dealer in our dealer locator map at [www.SNAPPER.com](http://www.SNAPPER.com). The purchaser must contact the Authorized Service Dealer, and then make the product available to the Authorized Service Dealer for inspection and testing.

**There is no other express warranty. Implied warranties, including those of merchantability and fitness for a particular purpose, are limited to the warranty period listed below, or to the extent permitted by law. Liability for incidental or consequential damages are excluded to the extent exclusion is permitted by law.** Some states or countries do not allow limitations on how long an implied warranty lasts, and some states or countries do not allow the exclusion or limitation of incidental or consequential damages, so the above limitation and exclusion may not apply to you. This warranty gives you specific legal rights and you may also have other rights which vary from state to state or country to country.\*\*

## WARRANTY PERIOD

	Consumer Use	Commercial Use
Equipment	36 months	none
Battery and Battery Charger	24 months	none

\*\* In Australia - Our goods come with guarantees that cannot be excluded under the Australian Consumer Law. You are entitled to a replacement or refund for a major failure and for compensation for any other reasonably foreseeable loss or damage. You are also entitled to have the goods repaired or replaced if the goods fail to be of acceptable quality and the failure does not amount to a major failure. For warranty service, find the nearest Authorized Service Dealer in our dealer locator map at [BRIGGSandSTRATTON.COM](http://BRIGGSandSTRATTON.COM), or by calling 1300 274 447, or by emailing or writing to [salesenquires@briggsandstratton.com.au](mailto:salesenquires@briggsandstratton.com.au), Briggs & Stratton Australia Pty Ltd, 1 Moorebank Avenue, NSW, Australia, 2170.

The warranty period begins on the date of purchase by the first retail or commercial consumer. "Consumer use" means personal residential household use by a retail consumer. "Commercial use" means all other uses, including use for commercial, income producing or rental purposes. Once a product has

## LIMITED WARRANTY

---

experienced commercial use, it shall thereafter be considered as a commercial use product for purposes of this warranty.

To ensure prompt and complete warranty coverage, register your product at the website shown above or at [www.onlineproductregistration.com](http://www.onlineproductregistration.com).

Save your proof of purchase receipt. If you do not provide proof of the initial purchase date at the time warranty service is requested, the manufacturing date of the product will be used to determine the warranty period. Product registration is not required to obtain warranty service on Briggs & Stratton products.

### **ABOUT YOUR WARRANTY**

Warranty service is available only through Snapper Authorized Service Dealers. This warranty covers only defects in materials or workmanship. It does not cover damage caused by improper use or abuse, improper maintenance or repair, normal wear and tear, or stale or unapproved fuel.

**Improper Use and Abuse** - The proper, intended use of this product is described in the Operator's Manual. Using the product in a way not described in the Operator's Manual or using the product after it has been damaged will not be covered under this warranty. Warranty coverage will also not be provided if the serial number on the product has been removed or the product has been altered or modified in any way, or if the product has evidence of abuse such as impact damage or water/chemical corrosion damage.

**Improper Maintenance or Repair** - This product must be maintained according to the procedures and schedules provided in the Operator's Manual, and serviced or repaired using genuine Briggs & Stratton parts or equivalent. Damage caused by lack of maintenance or use of non-original parts is not covered by warranty.

**Normal Wear and Tear** - Like most mechanical devices, your unit is subject to wear even when properly maintained. This warranty does not cover repairs when normal use has exhausted the life of a part or the equipment. Maintenance and wear items such as filters, belts, cutting blades, and brake pads (except engine brake pads) are not covered by warranty due to wear characteristics alone, unless the cause is due to defects in material or workmanship.

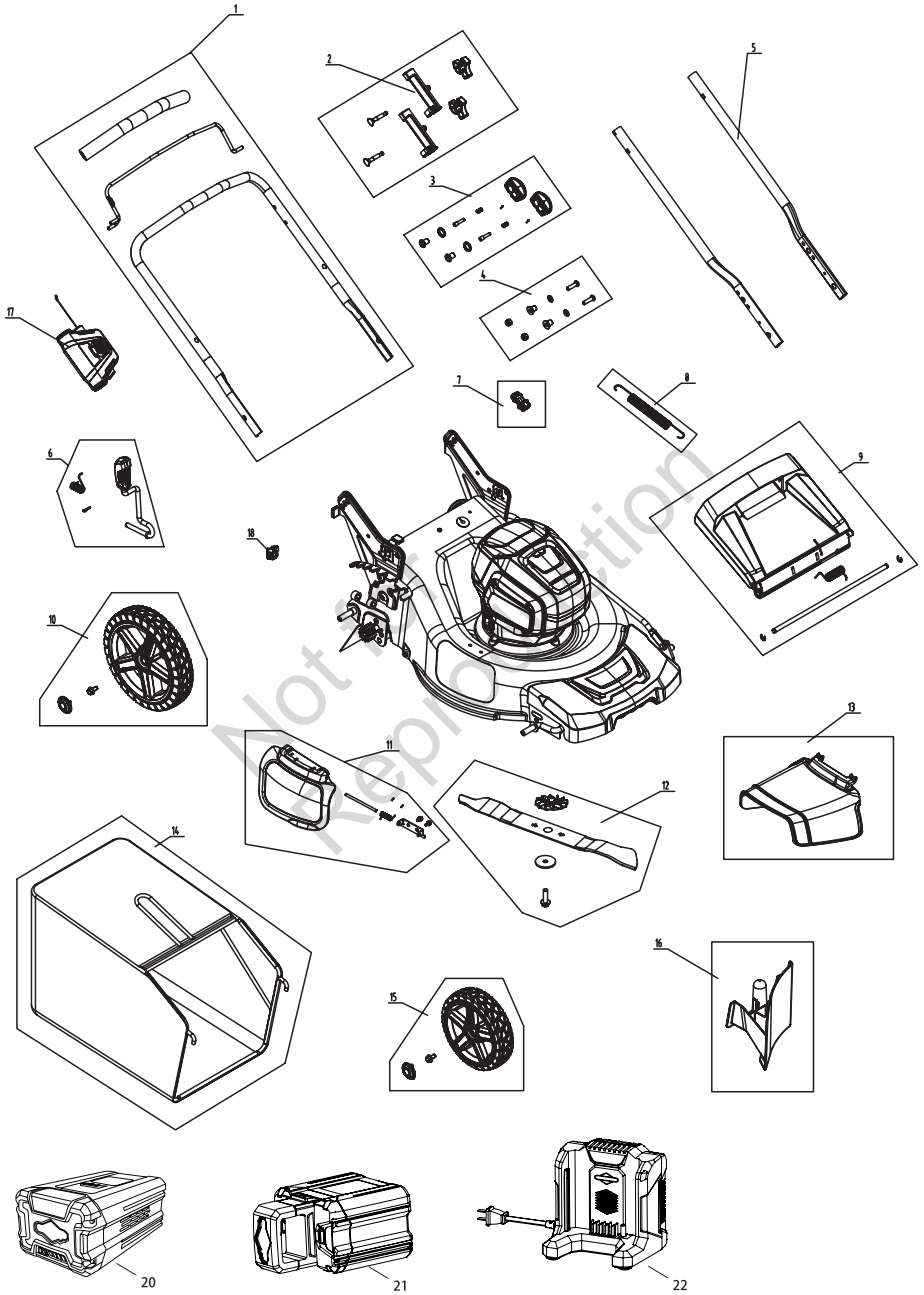
## LIMITED WARRANTY

---

Other Exclusions - This warranty excludes damage due to accident, abuse, modifications, alterations, improper servicing, freezing or chemical deterioration. Attachments or accessories that were not originally packaged with the product are also excluded. There is no warranty coverage on equipment used for primary power in place of utility power or on equipment used in life support applications. This warranty does not include used, reconditioned, second-hand, or demonstration equipment or engines. This warranty also excludes failures due to acts of God and other force majeure events beyond the manufacturer's control.

Not for  
Reproduction

# EXPLODED VIEW



# PARTS LIST

---

ITEM NO.	PART NO.	DESCRIPTION	QTY
1	84001927	UPPER HANDLE ASSEMBLY	1
2	84001954	HARDWARE, Mounting	1
3	84001929	PIVOT ASSEMBLY, Lower Handle	1
4	84001930	HADWARE KIT, Lower Handle	1
5	84001931	LOWER HANDLE ASSEMBLY	2
6	84001956	HEIGHT ADJUSTMENT ASSEMBLY	1
7	596798	KEY, Safety	1
8	84002267	SPRING, Tension	1
9	84001937	REAR COVER ASSEMBLY	1
10	84001928	REAR WHEEL ASSEMBLY, 10"	2
11	84001938	SIDE DISCHARGE COVER ASSEMBLY	1
12	84001939	MOWER BLADE ASSEMBLY, 20"	1
13	84001940	DEFLECTOR, Side Discharge	1
14	84001942	GRASS CATCHER ASSEMBLY	1
15	84001943	FRONT WHEEL ASSEMBLY, 8"	2
16	84001944	PLUG, Mulching	1
17	84001945	CONTROL PANEL ASSEMBLY	1
18	84001946	SAFETY SWITCH ASSEMBLY	1
19	-----	MOWER DECK ASSEMBLY	1
20	1697088	BATTERY, 48v 2.0	1
21	1697090	BATTERY, 48v 5.0	1
22	1697092	CHARGER, 48v	1

Not for  
Reproduction



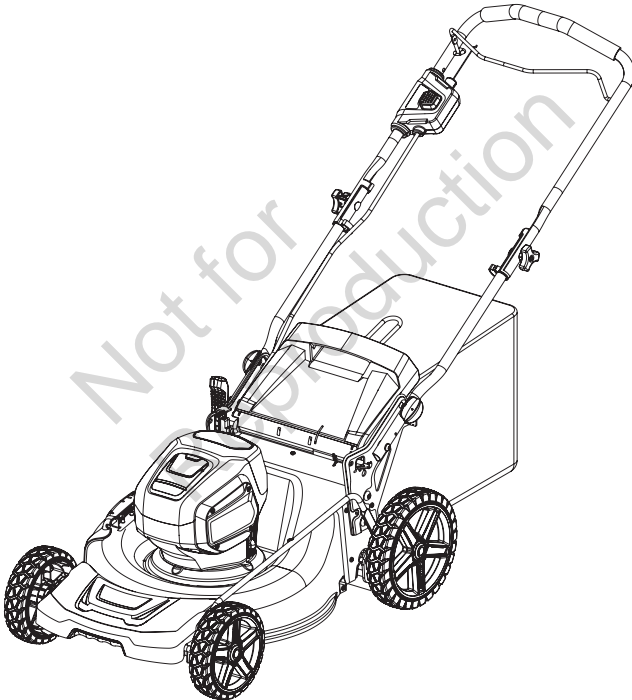
**Copyright © Briggs & Stratton Corporation  
Milwaukee, WI, 53201-0702 All rights reserved.**

**TOLL-FREE HELPLINE: 1-800-317-7833**





Tondeuse 48V sans fil de 20 Po  
2691563 & 80075676 / 20WM48  
1687966 / 20WM48K



Guide d'utilisation

**LIGNE D'ASSISTANCE SANS FRAIS: 1-800-317-7833**

[www.snapper.com](http://www.snapper.com)

---

**▲** Avant d'utiliser le produit, veuillez lire et suivre toutes les consignes de sécurité et les instructions d'utilisation.

# MATIÈRES

---

Fiche technique.....	2
Règles de sécurité .....	3
Symboles .....	8
Caractéristiques et Contrôles .....	10
Assemblage .....	11
Utilisation .....	18
Entretien .....	25
Mise au rebut de la batterie sans danger pour l'environnement.....	29
Dépannage.....	30
Garantie Limitée.....	31
Vue éclatée .....	34
Liste des pièces .....	35

## FICHE TECHNIQUE

---

### TONDEUSE 48V SANS FIL DE 20 PO

Batterie .....	48 V Lithium-ion
Vitesse à vide.....	2800 RPM
Dimensions du châssis.....	20" (50.8 cm)
Réglage de hauteur.....	1 3/8 - 3 3/4" (3.5 - 9.5 cm)
Couple (pour le boulon de fixation).....	24-27 lb-ft (33-37 Nm)
Fonctions .....	3 en 1 : déchetage, éjection latérale ou sac arrière
Poids(sans batterie) .....	53.6 lbs (24.3 kg)

**Avis de non-responsabilité : \*La tension initiale et maximale de la batterie (mesurée à vide) est de 48 volts. La tension nominale est de 43 V.**

# RÈGLES DE SÉCURITÉ

---

## VEUILLEZ LIRE TOUTES LES INSTRUCTIONS ATTENTIVEMENT

---

### **▲ AVERTISSEMENT**

La tondeuse peut couper des parties du corps et projeter des objets. Le non-respect des consignes de sécurité suivantes pourrait causer des blessures graves et même la mort.

---

### **▲ AVERTISSEMENT**

Pour l'utilisation de matériel de jardinage électriques, des précautions de base devraient toujours être suivies pour réduire le risque d'incendie, d'électrocution et de blessures, notamment les suivantes:

---

## 1. FONCTIONNEMENT GÉNÉRAL

- Évitez les environnements dangereux. N'utilisez pas la tondeuse sous la pluie, ou sur une pelouse humide ou mouillée.
  - N'utilisez pas sous la pluie.
  - Tenez hors de portée des enfants – Tous les visiteurs doivent se tenir à une distance sûre des espaces de travail.
  - Portez des vêtements appropriés. Ne portez pas de vêtements amples ou de bijoux qui pourraient se coincer dans les pièces mobiles de la tondeuse. Le port de gants protecteurs et de chaussures de sécurité est également recommandé.
  - Utilisez des lunettes de sécurité – Portez toujours un masque facial ou antipoussière quand vous utilisez la tondeuse dans un milieu poussiéreux.
  - Utilisez le bon appareil – N'utilisez la tondeuse que pour le travail pour lequel elle est conçue.
  - Ne forcez pas la tondeuse. – Elle effectuera un meilleur travail dans de meilleures conditions de sécurité si elle est utilisée dans les limites de ses capacités.
  - Évitez de trop vous étirer – Positionnez bien vos pieds afin de garder en tout temps votre équilibre.
  - Soyez vigilant. Portez attention à ce que vous faites. Faites preuve de bon jugement et n'utilisez pas la tondeuse si vous êtes fatigué.
  - Rangez votre tondeuse à l'intérieur lorsque vous ne l'utilisez pas - La tondeuse à gazon doit être rangée en un endroit sec, verrouillé et hors de portée des enfants lorsque vous ne l'utilisez pas.
  - Entretenez votre tondeuse à gazon - Gardez les éléments de coupe propres
-

# RÈGLES DE SÉCURITÉ

---

- et bien affûtés pour de meilleures performance et une sécurité accrue.
- Suivez les instructions pour lubrifier et modifier les accessoires.
- Gardez le guidon propre et sec, et exempt de graisse ou d'huile.
- Maintenez tous les dispositifs de securite(protecteurs,ecrans,interrupteurs,e tc)en place et foncyionnels.
- Assurez-vous que les lames sont bien affûtées.
- Garder les mains et les pieds à l'écart de la lame et de la zone de coupe.
- Les objets pris dans la lame de la tondeuse peuvent provoquer de graves blessures corporelles. Il est essentiel de bien examiner le terrain et d'enlever tous les objets avant chaque tonte.

Si la tondeuse à gazon heurte un objet étranger, suivez ces étapes :

- i) Arrêtez la tondeuse, relâchez l'interrupteur.
  - ii) Retirez la clé ainsi que la batterie.
  - iii) Vérifiez les dommages éventuels.
  - iv) Réparez tout dommage avant remise en marche et utilisation de la tondeuse à gazon.
- Employez des lames remplacement identiques.
  - Ne rechargez pas la tondeuse à gazon sous la pluie ou en milieu humide.
  - Retirez ou débranchez la batterie avant toute opération d'entretien, de nettoyage, ou de retrait de matériaux de la tondeuse à gazon.
  - Utilisez uniquement des batteries de rechange approuvées par briggs & stratton, car les autres batteries peuvent causer des blessures ou endommager la tondeuse. À utiliser uniquement avec les batteries Briggs & Stratton BSB2AH48 et BSB5AH48. À utiliser uniquement avec le chargeur BS2AC48 de Briggs & Stratton.
  - Ne jetez pas la pile dans un feu. Ceci pourrait faire exploser la cellule. Vérifiez les codes locaux pour connaître les dispositions de mise au rebut possible.
  - N'ouvrez pas ni mutilez les batteries. L'électrolyte qui s'en dégagerait est corrosive et elle pourrait blesser les yeux ou la peau. En outre, ce produit est toxique lorsqu'ingéré.
  - Faites preuve de précaution lorsque vous manipulez des piles afin de ne pas court-circuiter la pile avec des matériaux conducteurs comme les bagues, les bracelets et les clés. La pile ou le conducteur peuvent surchauffer et provoquer des brûlures.
  - Prenez le temps de lire, de comprendre et de suivre toutes les instructions sur l'appareil et dans le ou les manuels avant de commencer.

# RÈGLES DE SÉCURITÉ

---

- Laissez uniquement des adultes responsables qui sont familiers avec les instructions opérer cet appareil.
- Enlevez tous les objets comme les pierres, les fils, les jouets, etc. qui pourraient être projetés par la lame. Demeurez derrière la poignée lorsque le moteur est en fonction.
- Assurez-vous que personne ne se tient aux alentours lorsque vous utilisez la tondeuse. Éteignez l'appareil si quelqu'un s'approche.
- N'utilisez pas cet appareil les pieds nus ou en sandales. Portez toujours de bonnes chaussures.
- Ne tirez pas sur l'appareil en reculant à moins que cela ne soit vraiment nécessaire. Regardez toujours le sol et derrière vous avant et lorsque vous reculez.
- Ne dirigez jamais les matériaux projetés vers quiconque. Évitez toujours de projeter des matériaux contre des murs ou des obstructions. Les matériaux peuvent rebondir vers l'opérateur. Arrêtez la lame lorsque vous traversez des surfaces de gravier.
- N'utilisez pas l'appareil sans que le sac à herbe, le protecteur de la décharge, le protecteur arrière ou tout autre dispositif de protection ne soient en place et en fonction.
- Ne laissez jamais l'appareil en marche sans supervision.
- Fermez le moteur et attendez que les lames soient complètement arrêtées avant de retirer le sac à herbe ou de débloquer la bouche d'évacuation.
- Utilisez la tondeuse uniquement à la lumière du jour ou sous un bon éclairage artificiel.
- N'utilisez pas la tondeuse si vous êtes sous l'influence d'alcool, de médicaments ou de drogues.
- N'utilisez jamais la tondeuse sur de l'herbe mouillée. Faites attention où vous mettez les pieds; marchez, ne courez pas.
- Désengagez le système d'entraînement, si l'appareil en est pourvu, avant de mettre le moteur en marche.
- Si la tondeuse se met à vibrer de façon anormale, arrêtez le moteur et trouvez immédiatement la cause de la vibration. En général, la vibration est un signe annonciateur d'un problème.
- Portez toujours une protection oculaire lorsque vous opérez cet appareil.
- Reportez-vous aux instructions du fabricant pour connaître le fonctionnement approprié et l'installation des accessoires. Utilisez uniquement des appareils approuvés par le fabricant..

# RÈGLES DE SÉCURITÉ

---

## 2. UTILISATION DANS UNE PENTE

- Les pentes sont souvent à l'origine des accidents survenus après que l'utilisateur ait glissé ou soit tombé; ce genre d'accident peut entraîner des blessures graves. Faites preuve d'une grande prudence lorsque vous utilisez la tondeuse dans une pente. Si vous vous sentez mal à l'aise sur la pente, n'utilisez pas la tondeuse.
- Tondez en vous déplaçant en travers de la pente, jamais de haut en bas ni de bas en haut. Soyez extrêmement prudent lorsque vous changez de direction dans une pente.
- Soyez attentif à la présence de trous, d'ornières, de pierres, d'objets cachés ou de bosses qui pourraient vous faire glisser ou trébucher. Les herbes hautes peuvent cacher les obstacles.
- Ne passez pas la tondeuse sur de l'herbe mouillée ou dans des pentes abruptes. Vous pourriez perdre pied et tomber.

## 3. ENFANTS

- Des accidents tragiques peuvent survenir si l'utilisateur n'est pas conscient de la présence d'enfants à proximité. Les enfants sont souvent attirés par l'appareil et par la tonte en soi. Ne présumez jamais que les enfants demeureront là où vous les avez vus la dernière fois.
- Tenez les enfants à distance de la zone de coupe, et sous la surveillance attentive d'un adulte.
- Faites preuve de vigilance. Fermez le moteur de la tondeuse si un enfant ou une autre personne entre dans la zone de coupe.
- Ne laissez jamais des enfants opérer cet appareil.
- Faites preuve d'une extrême prudence lorsque vous approchez de tournants sans visibilité, de portes, d'arbustes, d'arbres ou d'autres objets qui pourraient vous empêcher de voir un enfant courant dans la trajectoire de la tondeuse.

## 4. ENTRETIEN

- Gardez tous les écrous, boulons et vis bien serrés pour vous assurer que la tondeuse est dans un état de marche sécuritaire.
- Ne retirez jamais ou ne modifiez jamais les dispositifs de sécurité. Vérifiez le fonctionnement adéquat régulièrement. Ne faites jamais quoi que ce soit qui pourrait interférer avec une fonction prévue d'un dispositif de sécurité ou qui pourrait réduire la protection fournie par un dispositif de sécurité.

# RÈGLES DE SÉCURITÉ

---

- Retirez les accumulations d'herbe, de feuilles ou d'autres débris. Laissez l'appareil refroidir avant de le ranger.
- Si la tondeuse frappe un objet, arrêtez le moteur. Vérifiez bien si la tondeuse est endommagée et, s'il y a lieu, réparez les pièces endommagées avant d'utiliser de nouveau la tondeuse.
- N'effectuez jamais d'ajustements ou de réparations lorsque le moteur est en marche.
- Retirez toujours le bloc-piles de la tondeuse avant d'effectuer un ajustement, un nettoyage ou une réparation.
- Vérifiez les composants du sac à herbe et le protecteur de la décharge fréquemment et remplacez-le avec les pièces recommandées du fabricant, le cas échéant.
- Les lames de la tondeuse sont tranchantes et peuvent vous couper. Au moment de l'entretien, enveloppez les lames ou portez des gants, faites preuve d'un extrême prudence.
- Effectuez l'entretien ou remplacez les étiquettes de sécurité et d'instruction, le cas échéant.

---

## **▲ AVERTISSEMENT (PROPOSITION 65)**

Ce produit contient des produits chimiques qui, selon l'état de Californie, sont susceptibles de provoquer un cancer, des malformations congénitales ou d'affecter le système reproductif.

Certaines poussières que produisent le ponçage, sciage, meulage et forage électriques ainsi que les autres activités de construction contiennent des substances chimiques qui sont des cancérrogènes connus susceptibles de causer des anomalies congénitales ou d'autres préjudices à la reproduction. Quelques exemples en sont :

- Plomb des peintures à base de plomb,
- Silice cristalline des briques et du ciment ou d'autres produits de maçonnerie, et
- Arsenic et chrome du bois traité chimiquement.

Le niveau de risque résultant de votre exposition à ces produits varie selon la fréquence à laquelle vous effectuez ce type de travail. Pour réduire votre exposition à ces produits chimiques travaillez dans un endroit bien aéré et utilisez des équipements de sécurité approuvés tels que les masques anti-poussière conçus particulièrement pour le filtrage des particules microscopiques.


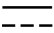






---

**CONSERVER CES INSTRUCTIONS**

---





# SYMBOLES

Certains des symboles suivants peuvent figurer sur cet article. Familiarisez-vous avec eux et a prenez leur signification. En comprenant ces symboles, vous serez en mesure de faire fonctionner cet article de façon adéquate et sécuritaire.




SYMBOLE	NOM	DÉSIGNATION/EXPLICATION
V	Volts	Tension
A	Ampères	Intensité
Hz	Hertz	Fréquence(cycles par seconde)
W	Watts	Puissance
min	Minutes	Temps
	Courant alternatif	Type de courant
	Courant continu	Type ou caractéristique du courant
$n_0$	Vitesse à vide	Vitesse de rotation à vide
	Construction de classe II	Construction à double isolation
/min	Par Minute	Tours,coups,vitesse périphérique, orbites,etc,par minute
	Avertissement concernant l'humidité	N'exposez pas le produit à la pluie ou l'humidité.
	Lisez le manuel d'utilisation	Pour réduire le risque de blessure. l'utilisateur doit lire et bien comprendre le manuel d'utilisation de ce produit.
	Alerte de sécurité	Précautions touchant à votre sécurité.
	Protection oculaire	Portez la protection oculaire qui se conforme à ANSI Z87.1 aussi bien que le protection auditive en opérant ce produit.
	Garder les mains et les pieds à l'écart	Garder les mains et les pieds à l'écart de la lame et de la zone de coupe.



# SYMBOLES

	Se tenir lion	Ne pas mettre ses mains ou ses pieds en dessous du châssis de la tondeuse.
	Eviter les pentes	Ne pas utiliser sur des pentes de plus de 15°. Tondre les pentes dans le sens transversal, jamais en montant ou en descendant.
	Ne laisser personne à l'écart	Garder les badauds et animaux domestiques à une distance de 30m (100 pi) minimum.
	Ricochet	Faites attention que les passants ne sont pas blessés par les objets étrangers projetés par la tondeuse à gazon.

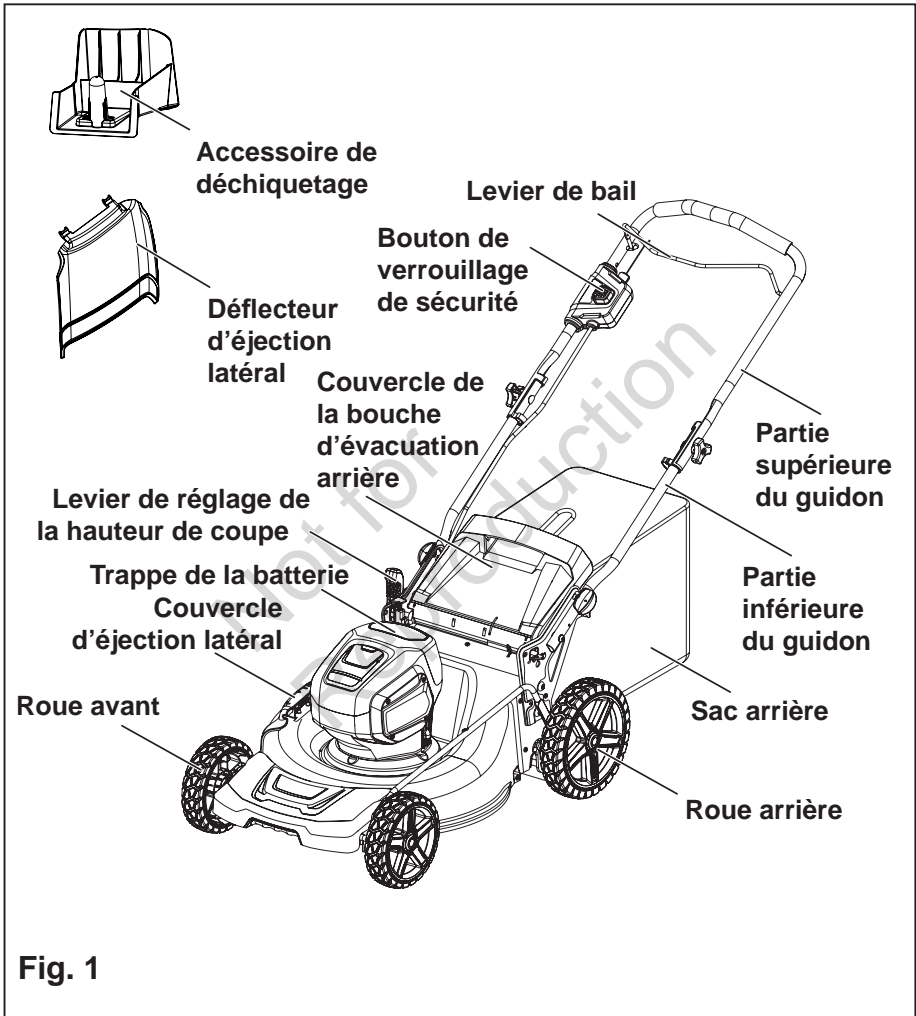
Les mots indicateurs suivants et leurs significations servent à expliquer les niveaux de risque associés à cet appareil.

SYMBOLE	SIGNAL	SIGNIFICATION
	<b>DANGER</b>	Indique une situation extrêmement dangereuse qui, si elle n'est pas évitée, aura pour conséquence des blessures graves voire mortelles.
	<b>AVERTISSEMENT</b>	Indique une situation potentiellement dangereuse qui, si elle n'est pas évitée, peut entraîner des blessures graves voire mortelles.
	<b>ATTENTION</b>	Indique une situation potentiellement dangereuse qui, si elle n'est pas évitée, peut entraîner des blessures légères voire modérées.
	<b>ATTENTION</b>	(Sans symbole d'alerte de sécurité) Indique une situation pouvant entraîner des dommages matériels.

**CONSERVER CES INSTRUCTIONS**

# CARACTÉRISTIQUES ET CONTRÔLES

Lisez ce manuel d'instructions et toutes les consignes de sécurité avant d'utiliser votre tondeuse à gazon. Comparez l'illustration ci-dessus (fig. 1) à votre tondeuse afin de vous familiariser avec l'emplacement des commandes et réglages. Conservez ce manuel pour consultation future.



# ASSEMBLAGE

---

## DÉBALLAGE

- Retirez prudemment le produit et les accessoires de la boîte. Assurez-vous que tous les articles énumérés dans la liste de colisage sont inclus.
- Assurez-vous que le produit n'a pas subi des dommages ou de bris pendant le transport.
- Ne jetez pas l'emballage avant d'avoir inspecté le produit et avant d'avoir vérifié s'il fonctionne correctement.
- Si des pièces sont manquantes ou endommagées, veuillez appeler au 1-800-317-7833 pour obtenir de l'aide.

---

## **▲ AVERTISSEMENT**

Si une quelconque pièce ou partie de cette tondeuse est manquante ou endommagée, ne l'utilisez pas avant d'avoir changé la pièce. L'utilisation d'un produit ayant des pièces manquantes ou abîmées peut entraîner de graves blessures.

---

---

## **▲ AVERTISSEMENT**

Ne tentez pas de modifier cet appareil ou de fabriquer des accessoires non recommandés pour l'utilisation avec ce produit. Toute altération ou modification de ce type constitue un mésusage peut entraîner des dangers susceptibles de provoquer des blessures graves.

---

---

## **▲ AVERTISSEMENT**

N'insérez pas la batterie avant d'avoir terminé l'assemblage et d'être prêt à tondre. Vous pourriez risquer une mise en marche accidentelle pouvant entraîner de graves blessures.

---

---

## **▲ AVERTISSEMENT**

Pour éviter toute mise en route accidentelle qui pourrait entraîner de graves blessures, retirez toujours le pack batterie du produit lorsque vous-y montez des accessoires.

---

---

## **▲ AVERTISSEMENT**

Ne faites jamais fonctionner la tondeuse sans que ses dispositifs de sécurité soient en place et opérationnels. N'utilisez jamais de tondeuse dont les éléments de sécurité sont endommagés. L'utilisation d'une tondeuse dont des pièces sont manquantes ou endommagées peut entraîner de graves blessures.

---

# ASSEMBLAGE

## DEPLIAGE ET REGLAGE DE LA POIGNEE INFERIEURE

(Voir figure 2)

### ⚠ AVERTISSEMENT

Pliage ou dépliage incorrect de la poignée peut endommager les câbles, occasionnant une condition d'exploitation dangereuse.

- Ne pas endommager les câbles lors pliant ou dépliant la poignée.
- Si le câble est endommagé, veuillez contacter un centre de réparations agréé.

- Tirez et tournez les boutons de poignée (1) 90° sur les deux côtés à desserrer les poignées inférieures (2) sur les deux côtés.
- Déplacez les poignées inférieures vers la position de fonctionnement. Vous pouvez monter ou baisser la poignée à une position qui vous convient. Il y a 3 positions (3) pour vous à choisir. Déclenchez les boutons de poignée à verrouiller la poignée inférieure dans la position.

*NOTE: Assurez que les deux côtés sont mis à la même position pour l'assemblage correcte.*

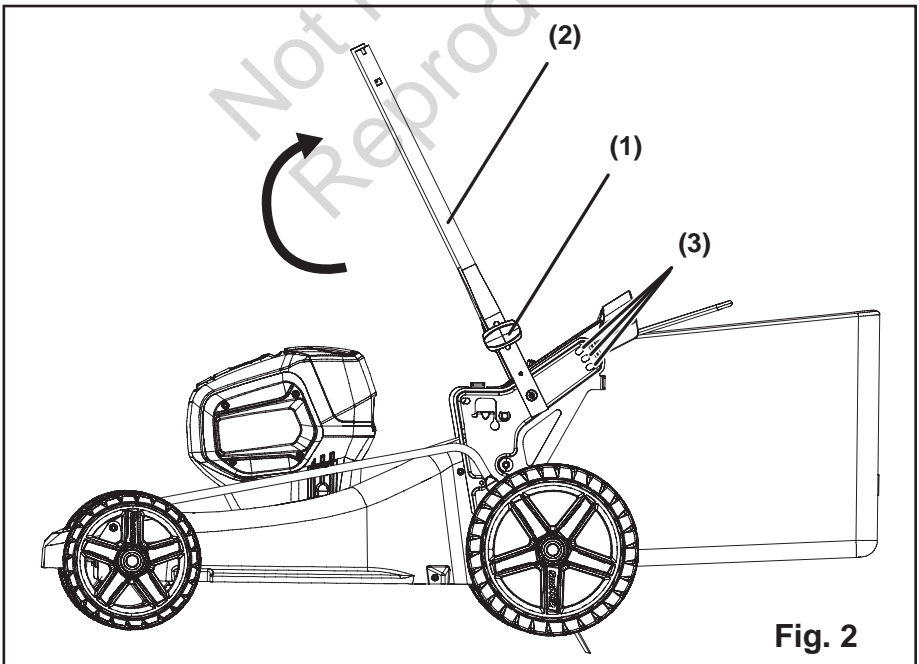


Fig. 2

# ASSEMBLAGE

## INSTALLATION DE LA POIGNEE SUPERIEURE (Voir figure 3)

- Alignez les trous de montage sur la poignée supérieure (1) et la poignée inférieure (2). Insérez les boulons mécaniques (3) et employez les boutons (4) afin de les serrer. Répétez l'opération sur l'autre côté.

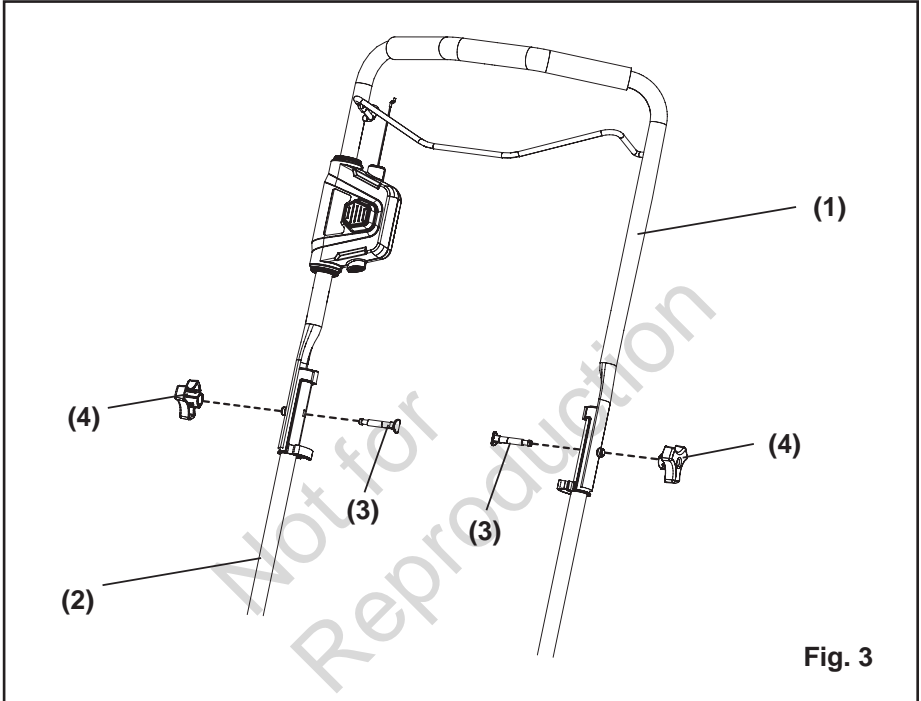


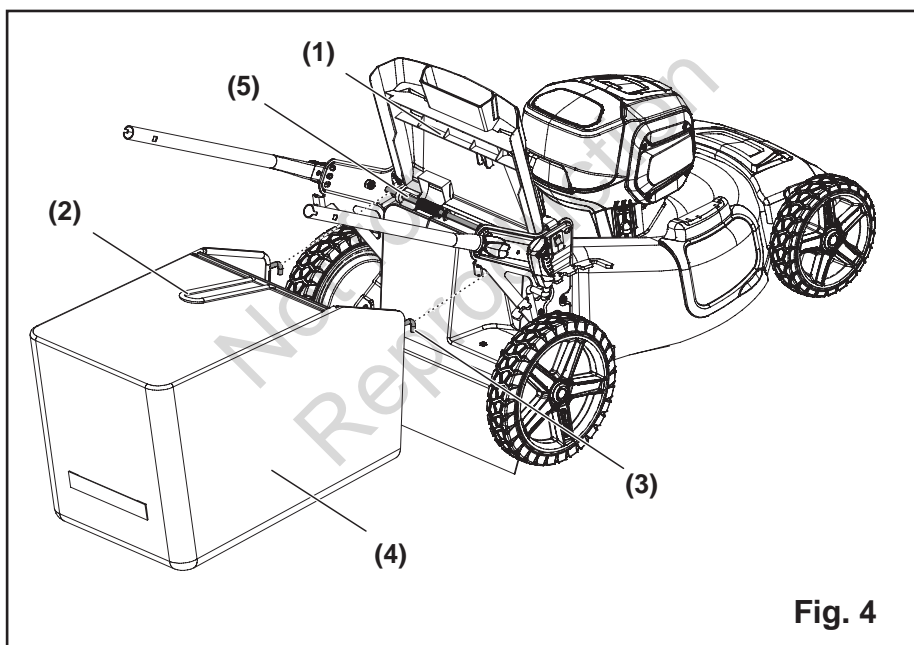
Fig. 3

## ASSEMBLAGE

### PO SE DU SAC ARRIÈRE (Voir figure 4)

- Soulevez le couvercle de la bouche d'évacuation (1).
- Levez le collecteur d'herbe par sa poignée (2) et mettez-le au-dessous du couvercle de la bouche d'évacuation de façon à ce que les crochets (3) sur le collecteur d'herbe (4) s'appuient sur la barre du couvercle (5).
- Relâchez le couvercle de la bouche d'évacuation. Si l'installation est correcte, les crochets sur le collecteur d'herbe passeront à travers les ouvertures sur le couvercle de la bouche d'évacuation.

*NOTE: Lors l'usage du sac à herbe, n'installez pas soit le déflecteur de décharge à côté soit le bouchon de paillage.*



**Fig. 4**

## ASSEMBLAGE

### PO SE DE L'ACCESSOIRE DE DÉCHIQUETAGE (Voir figure 5)

- Pour enlever l'accessoire de déchiquetage, soulevez le couvercle de la bouche d'évacuation (1).
- Pour enlever l'accessoire de déchiquetage, soulevez le couvercle de la bouche d'évacuation (2).
- L'accessoire de déchiquetage (3) est inséré à angle; il faut donc exercer une certaine force pour l'enlever.
- Vous devez enlever l'accessoire de déchiquetage pour pouvoir utiliser le sac arrière.
- Réinstallez le sac arrière si vous enlevez l'accessoire de déchiquetage.

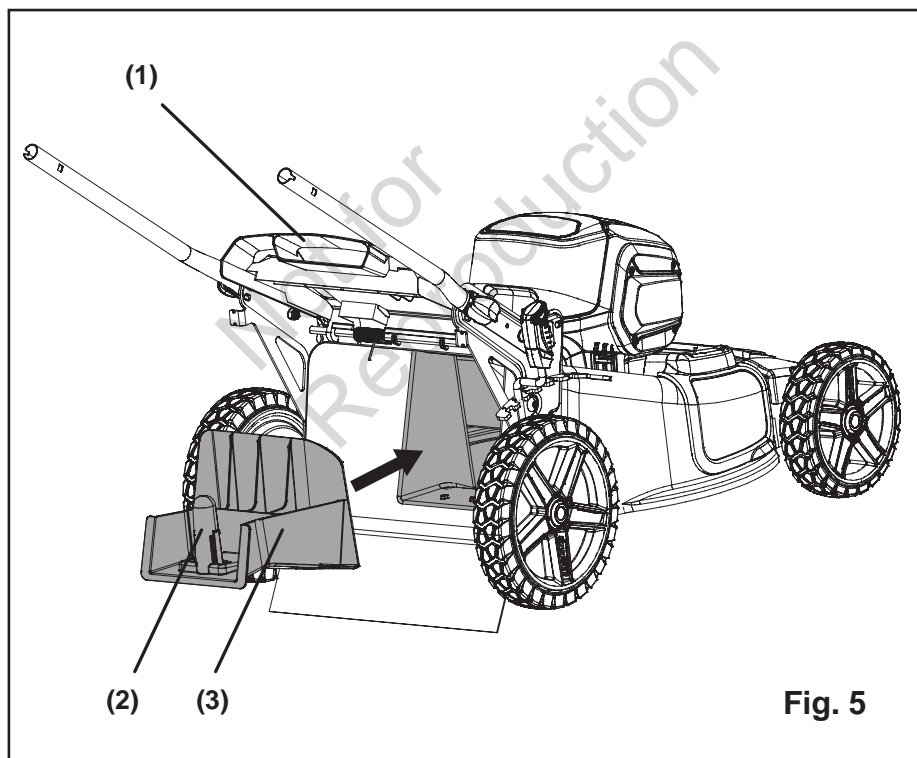


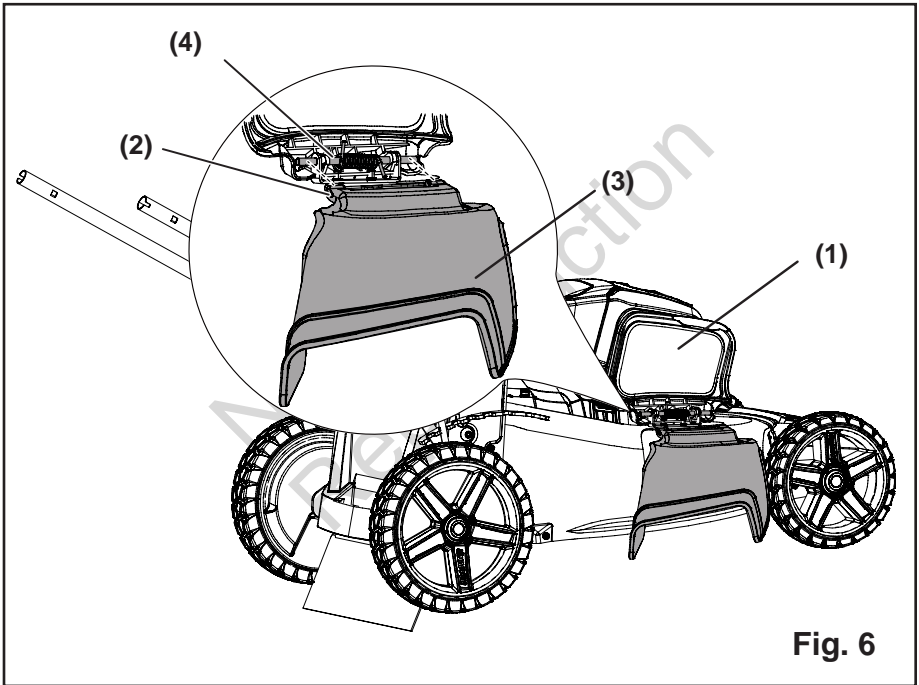
Fig. 5

# ASSEMBLAGE

---

## INSTALLATION DU DÉFLECTEUR D'ÉJECTION LATÉRALE (Voir figure 6)

- Levez le couvercle d'éjection latérale (1).
- Alignez les rainures (2) sur le déflecteur (3) avec les goupilles (4) sur le côté intérieur du couvercle (1).
- Abaissez le déflecteur jusqu'à ce que les crochets sur le châssis de la tondeuse soient bien insérés dans les ouvertures du déflecteur.
- Relâchez le déflecteur et le couvercle.





# ASSEMBLAGE

## POUR INSTALLER LA BATTERIE (Voir figure 7)

- Soulevez le couvercle du compartiment de batterie (1) et gardez-le ouvert.
- Alignez la batterie (2) dans le support prévu à cet effet à l'intérieur de la tondeuse.
- Veillez à ce que le bouton d'éjection de la batterie (3) soit bien en place et que la batterie soit insérée correctement avant de mettre la tondeuse en marche.
- Insérez la clé (4). Si la tondeuse n'est pas utilisée dans l'immédiat, n'insérez pas la clé.
- Refermez le couvercle.

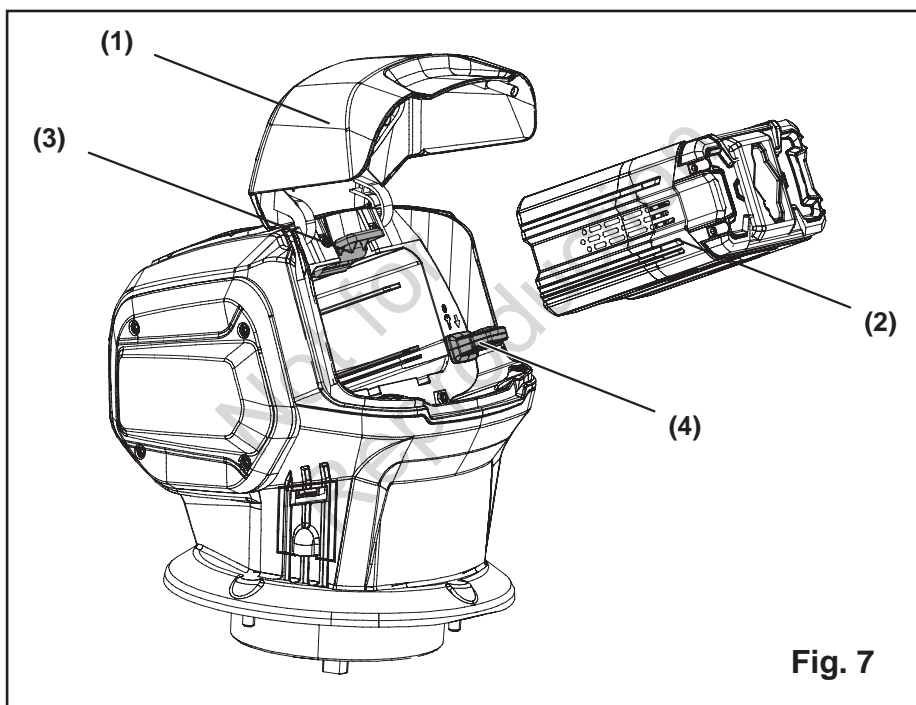


Fig. 7

## POUR RETIRER LA BATTERIE (Voir figure 7)

- Relâchez le levier d'alimentation pour arrêter la tondeuse.
- Ouvrez le couvercle de la batterie. Retirez la clé.
- Appuyez sur le bouton d'éjection de la batterie (3) sur la tondeuse. Ceci éjectera légèrement la batterie hors de la tondeuse.
- Retirez la batterie de la tondeuse.

# UTILISATION

---

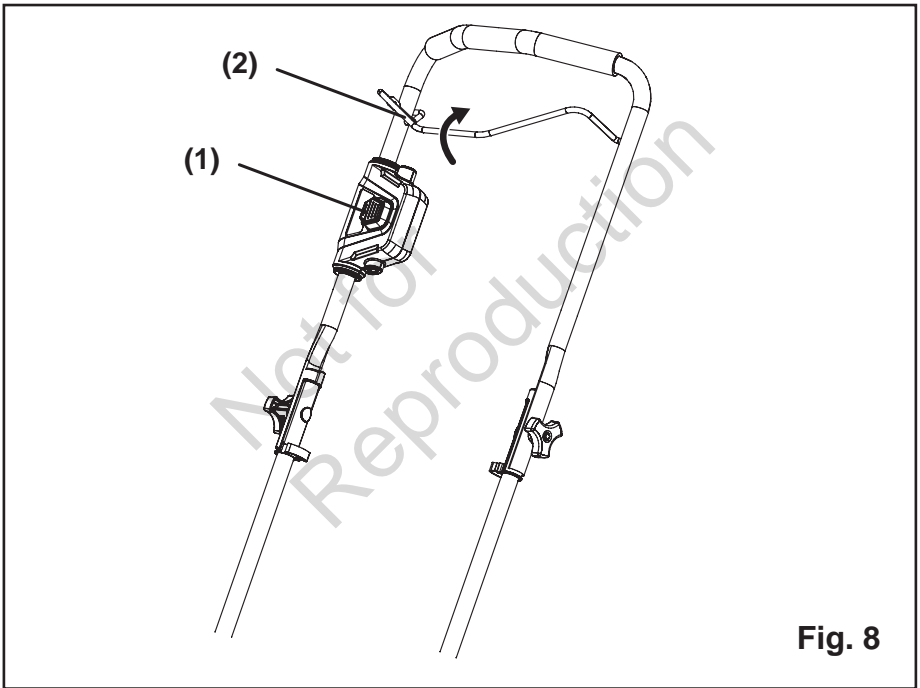
## DÉMARRAGE/ARRÊT DE LA TONDEUSE (Voir figure 8)

**Pour faire démarrer le moteur :**

- Soulevez le couvercle du compartiment de la batterie. Installez la batterie. Insérez la clé.
- Appuyez et gardez enfoncé le bouton de verrouillage (1).
- Tirez le levier d'alimentation (2) vers le haut (vers la poignée principale) pour faire démarrer le moteur, puis relâchez le bouton.

**Pour arrêter le moteur :**

- Relâchez le levier d'alimentation.



# UTILISATION

---

## Démarrage en douceur

Cette tondeuse à batterie LI-ION est équipée d'une fonction de « démarrage en douceur ». Lorsque vous démarrez la tondeuse, celle-ci atteint la vitesse la plus élevée sous environ 3 secondes. Si la tondeuse ne démarre pas : Retirez la batterie puis vérifiez le châssis afin de s'assurer qu'aucun objet n'obstrue les lames, assurez-vous que les lames peuvent tourner librement en les faisant tourner à la main. Même une petite quantité d'herbe peut empêcher le « démarrage en douceur ».

---

## **▲ A T T E N T I O N**

N'essayez pas de dépasser l'opération du levier ou du bouton de marche.

---

---

## **▲ A V E R T I S S E M E N T**

Une tondeuse peut projeter des objets en direction de vos yeux et vous blesser gravement. Pendant l'utilisation, le réglage ou la réparation d'une tondeuse, portez toujours des lunettes protectrices.

---

**EXAMINEZ LA ZONE DE TRAVAIL.** Enlevez les pierres, les morceaux de bois et de fil métallique, les os, et tout autre objet qui pourrait être projeté par les lames rotatives de la tondeuse.

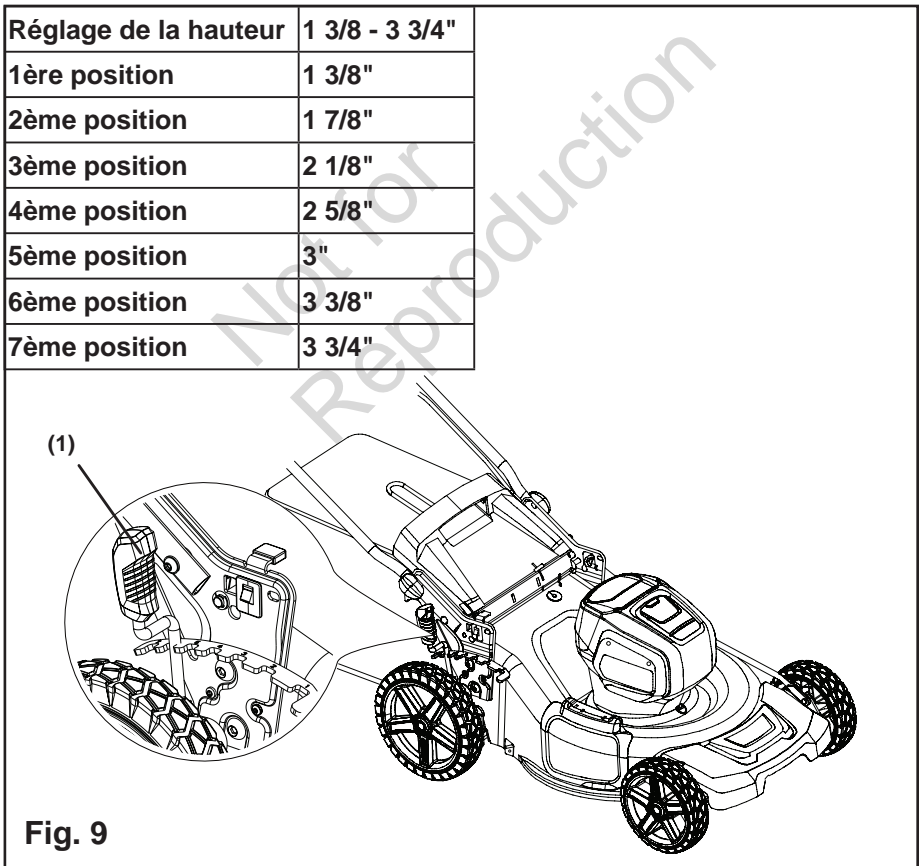
# UTILISATION

## RÉGLAGE DE LA HAUTEUR DE COUPE (Voir figure 9)

Pour l'expédition, les roues de la tondeuse sont réglées à la position de coupe au ras du sol. Avant d'utiliser la tondeuse pour la première fois, réglez la position de coupe à la hauteur la mieux adaptée à votre pelouse. Une pelouse moyenne devrait avoir de 1 1/2 à 2 po (3,8 à 5 cm) pendant les mois de temps froid et entre 2 et 3 1/2 po (5 à 8,3 cm) pendant les mois de temps chaud.

### Pour régler la hauteur de la lame :

- Pour augmenter la hauteur de la lame, attrapez le levier de réglage de la hauteur (1) et poussez-le vers l'arrière de la tondeuse.
- Pour diminuer la hauteur de la lame, attrapez le levier de réglage de la hauteur (1) et poussez-le vers l'avant de la tondeuse.



# UTILISATION

---

## INDICATEUR DE PENTE (Voir figure 10)

---

### **▲ A V E R T I S S E M E N T**

Les pentes sont souvent à l'origine des accidents survenus après que l'utilisateur ait glissé ou soit tombé; ce genre d'accident peut entraîner des blessures graves. Faites preuve d'une grande prudence lorsque vous utilisez la tondeuse dans une pente. Si vous vous sentez mal à l'aise sur la pente, n'utilisez pas la tondeuse. Par mesure de sécurité, servez-vous de l'indicateur de pente inclus dans ce guide afin de mesurer la pente avant de tondre une zone en pente ou vallonnée.

---

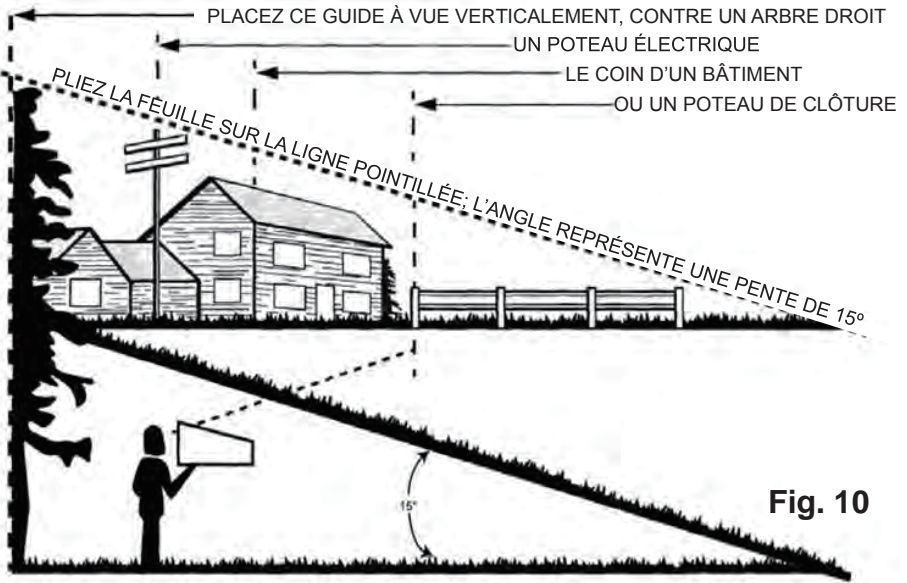
- Tondez en vous déplaçant en travers de la pente, jamais de haut en bas ni de bas en haut. Soyez extrêmement prudent lorsque vous changez de direction dans une pente.
  - Soyez attentif à la présence de trous, d'ornières, de pierres, d'objets cachés ou de bosses qui pourraient vous faire glisser ou trébucher. Les herbes hautes peuvent cacher des obstacles.
  - Maintenez toujours votre équilibre. Si vous avez l'impression de perdre l'équilibre, relâchez immédiatement le levier de commande du moteur/de la lame; la lame cessera de tourner en trois secondes.
  - Ne tondez pas près d'un dénivellement prononcé, d'un fossé ou du rebord d'un talus; vous pourriez perdre pied ou perdre l'équilibre.
  - Ne tondez pas dans une pente inclinée à plus de 15°, tel qu'il est montré sur l'indicateur de pente.
  - Ne tondez pas du gazon mouillé ou humide. Vous seriez en équilibre instable et pourriez glisser.
- 

### **▲ A V E R T I S S E M E N T**

Ne tondez pas dans une pente dont l'inclinaison est supérieure à 15° ou qui monte d'environ 2 1/2 pi (0,75 m) aux 10 pi (3 m). Tondez en vous déplaçant en travers de la pente, jamais de haut en bas ni de bas en haut.

---

# UTILISATION



Not for  
Reproduction

# UTILISATION

---

## CONSEILS SUR LA TONTE DU GAZON

*NOTE : la tondeuse offrira un meilleur rendement si la lame est bien affûtée, particulièrement lorsque le gazon est long. Examinez la lame et affûtez-la au moins une fois l'an de la façon décrite dans la section Entretien.*

- VAssurez-vous qu'il n'y a pas de pierres, de branches, de câbles ou d'autres objets sur le gazon qui pourraient endommager la lame ou le moteur. La tondeuse pourrait éjecter ces objets dans n'importe quelle direction et blesser gravement l'utilisateur et d'autres personnes. Pour réduire le risque de choc électrique, n'exposez pas la tondeuse à l'eau et ne l'utilisez pas si le sol est mouillé ou humide.
- Ne tondez jamais en décrivant des cercles; effectuez des allers-retours en ligne droite sur le gazon.
- Lorsque le gazon est dense, ralentissez pour que la tondeuse coupe mieux et éjecte les débris de tonte plus efficacement.
- Pour obtenir une pelouse saine, coupez toujours un maximum de 1/3 de la longueur totale de l'herbe. En général, l'herbe devrait mesurer entre 1 1/2 à 2 po (3,8 à 5 cm) durant les mois frais, et entre 2 po à 3 1/4 po (5 cm à 8,3 cm) durant les mois chauds. En automne, tondez le gazon s'il continue à pousser.

## CONSEILS SUR LE DÉCHIQUETAGE

*NOTE : INSPECTEZ TOUJOURS LA ZONE À TONDRE ET ENLEVEZ LES PIERRES, LES BRANCHES, LES CÂBLES, LES OS ET AUTRES DÉBRIS QUI POURRAIENT ÊTRE ÉJECTÉS PAR LA LAME.*

- Lorsque vous traversez une zone recouverte de gravier, relâchez le levier de commande de la lame/du moteur, car la lame pourrait projeter du gravier.
- Pour tondre une zone où l'herbe est longue ou en friche, réglez la tondeuse à la hauteur de coupe la plus élevée
- Pour un déchiquetage efficace, ne tondez pas le gazon s'il est mouillé, car les brindilles auront tendance à coller sous le plateau de tonte et à nuire au déchiquetage. Il peut être nécessaire de tondre plus court le gazon épais ou nouvellement semé. Ajustez votre vitesse à l'état du gazon. Si vous avez laissé le gazon pousser à une hauteur supérieure à 4 po (10 cm), tondez-le deux fois afin de réduire le gazon à une hauteur maximale de 3 1/4 po (8,3 cm).
- Avancez à bonne vitesse et à un rythme régulier. Faites en sorte que les rangées de tonte sechevauchent. Ne laissez pas le gazon trop pousser. Si le gazon a trop poussé, commencez à le tondre à la position la plus élevée, pour passer par étapes à la hauteur de coupe voulue.

---

## **▲ AVERTISSEMENT**

Si la tondeuse frappe un objet, arrêtez le moteur et enlevez la batterie. Vérifiez bien si la tondeuse est endommagée et, s'il y a lieu, réparez les pièces endommagées avant d'utiliser de nouveau la tondeuse. Si la tondeuse vibre de façon excessive pendant son utilisation, c'est qu'elle a été endommagée; faites-la inspecter et réparer sans délai.

---

---

## UTILISATION

---

### VIDAGE DU SAC ARRIÈRE (Voir figure 11)

- Arrêtez la tondeuse, laissez les lames s'arrêter complètement, et retirez la batterie.
- Soulevez le couvercle de la bouche d'évacuation.
- Soulevez le sac arrière par sa poignée pour le retirer de la tondeuse.
- Videz l'herbe du bac.
- Soulevez le couvercle de la bouche d'évacuation et remettez le sac arrière en place comme décrit plus haut dans ce manuel.



Fig. 11



# ENTRETIEN

## REPLACEMENT DE LA LAME (Voir figure 12)

### ⚠ A V E R T I S S E M E N T

Avant de faire l'entretien des lames, protégez-vous toujours les mains en portant des gants épais ou en enveloppant les lames avec des chiffons ou autres matériaux épais. Enlevez TOUJOURS la batterie en entretenant ou en transportant la tondeuse.

- ENLEVEZ LA BATTERIE.
- Enfillez des gants de cuir rembourrés. Coincez un bloc de bois entre la lame et le plateau de tonte pour éviter que la lame tourne pendant que vous enlevez le boulon (1).
- À l'aide d'une clé à molette ou une clé à douille de 27 mm, desserrez le boulon (1), l'entretoise (3) et retirez la lame (2). Faites tourner le boulon **DANS LE SENS INVERSE DES AIGUILLES D'UNE MONTRE** pour le desserrer et **DANS LE SENS DES AIGUILLES D'UNE MONTRE** pour le serrer.
- Retirez le boulon (1), l'entretoise (3) et la lame (2).
- Pour réassembler le tout, positionnez la lame et les arêtes coupantes vers le sol. Placez le boulon tel qu'il est illustré ci-dessous. Couplez le boulon de la lame dans le sens horaire en utilisant une clé dynamométrique (non fournie) afin de vous assurer que le boulon est adéquatement serré. Le couple recommandé pour le boulon de la lame est 24-27 lb-pi (33-37 Nm).

*NOTE : veillez à replacer les pièces en suivant exactement l'ordre inverse de celui dans lequel elles ont été enlevées. Lorsque vous installez la lame, assurez-vous de la positionner avec les extrémités courbées pointant vers le plateau de tonte, et non vers le sol.*

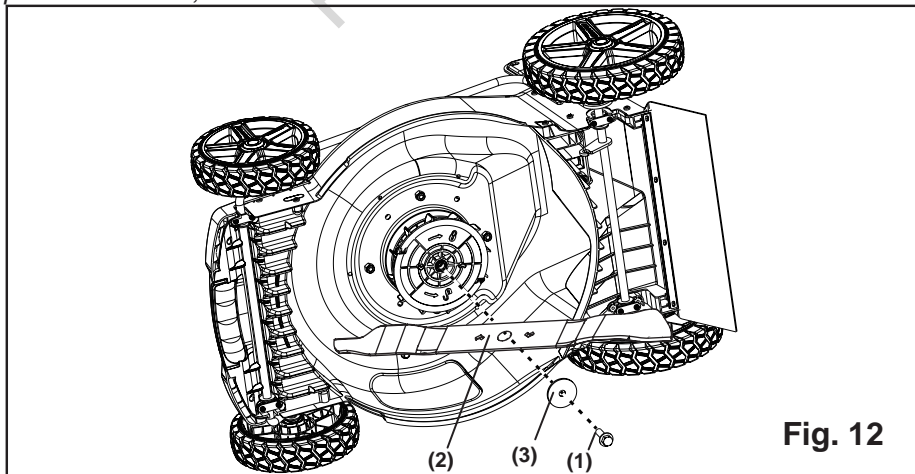


Fig. 12

# ENTRETIEN

---

## NETTOYAGE DE LA TONDEUSE

---

### **▲ AVERTISSEMENT**

Pour réduire le risque de choc électrique, n'exposez pas la tondeuse à l'eau. Le dessous du plateau de tonte devrait être nettoyé après chaque utilisation, car de l'herbe, des feuilles, de la terre et d'autres débris s'y accumulent, causant ainsi de la rouille et de la corrosion.

---

Enlevez toute accumulation d'herbe et de feuilles sur le dessus et autour du couvercle du moteur (n'utilisez pas d'eau à cette fin). À l'occasion, nettoyez la tondeuse à l'aide d'un linge sec. Si des débris s'accumulent sous le plateau de tonte, arrêtez le moteur et débranchez-le de la source d'alimentation. Renversez la tondeuse vers l'avant ou sur le côté, puis enlevez les débris à l'aide d'un outil approprié.

### **REMISAGE**

Suivez ces étapes pour préparer la tondeuse en vue du remisage :

- Nettoyez la tondeuse selon les instructions de la section précédente.
- Inspectez et remplacez/affûtez la lame, au besoin. Consultez la section Entretien.
- Rangez la tondeuse dans un endroit sec et propre. Ne la rangez pas près de matières corrosives telles que l'engrais et le sel gemme.
- Rangez la tondeuse à l'intérieur, dans un endroit frais et sec, hors de la portée des enfants. Ne couvrez pas la tondeuse avec une bâche de plastique rigide. En emprisonnant l'humidité autour de la tondeuse, les bâches de plastique favorisent la rouille et la corrosion.
- Enlevez la batterie et rangez-la dans un endroit sec et frais.
- Retirez la batterie et entreposez-la dans un endroit sûr, hors de la portée des enfants.

### **▲ AVERTISSEMENT**

Il faut charger la batterie chaque trois mois lors en stockage afin de maintenir sa capacité maximale.

---

- Pour l'entretien de la tondeuse, utilisez uniquement des pièces de rechange disponibles auprès du fabricant. Pour obtenir des pièces de rechange, appelez le service d'assistance téléphonique sans frais au 1-800-317-7833. L'utilisation de pièces non conformes aux caractéristiques d'origine de la tondeuse peut nuire au rendement de l'appareil et compromettre la sécurité
-

# ENTRETIEN

---

- des utilisateurs.
- Avant de nettoyer, réparer ou vérifier la tondeuse, assurez-vous que les lames et toutes les pièces mobiles sont immobilisées. Retirez la batterie lorsque vous apportez un ajustement à la tondeuse ou devez soulever l'une des quatre roues.
- Suivez les instructions pour la lubrification et le remplacement des accessoires.
- Gardez le guidon propre et sec, et exempt de graisse ou d'huile.
- Pour prévenir les risques d'incendie, ne laissez pas de feuilles, d'herbe ou de débris s'accumuler dans le moteur.
- Vérifiez régulièrement si les écrous de montage des lames et du moteur sont bien serrés. Vérifiez si les lames présentent des dommages (par exemple, si elles sont courbées, fendues ou usées).
- Pour obtenir un rendement maximum et sécuritaire de votre tondeuse, entretenez-la avec soin. Gardez ses lames toujours propres et bien affûtées. Les lames de la tondeuse sont tranchantes et peuvent vous couper. Au moment de l'entretien, enveloppez les lames ou portez des gants, faites preuve d'un extrême prudence.
- Gardez tous les écrous, boulons et vis bien serrés pour vous assurer que la tondeuse est dans un état de marche sécuritaire.
- N'éliminez pas les dispositifs de sûreté de la tondeuse. Vérifiez régulièrement s'ils fonctionnent bien.
- Si la tondeuse frappe un objet, arrêtez le moteur. Vérifiez bien si la tondeuse est endommagée et, s'il y a lieu, réparez les pièces endommagées avant d'utiliser de nouveau la tondeuse.
- Comme les composantes du sac à herbe, du couvercle d'éjection et de l'écran protecteur peuvent s'user et être endommagées, des pièces mobiles pourraient être exposées et des objets pourraient être projetés par la tondeuse. Par mesure de sécurité, vérifiez souvent les composantes et remplacez immédiatement toute pièce qui semble usée, fendue ou brisée. Utilisez uniquement des pièces d'origine provenant du fabricant et identifiées dans le présent guide.
- Quand la tondeuse ne sert pas, rangez-la à l'intérieur, dans un endroit sec et hors de la portée des enfants.

---

## **▲ A V E R T I S S E M E N T**

Retirez toujours la batterie avant de réparer ou de transporter la tondeuse.

---

---

# ENTRETIEN

## RANGEMENT VERTICAL (Voir figure 13)

- Retirez la batterie de la tondeuse. Retirez le bac à herbe.
- Tournez les poignées vers la position Déverrouillée
- Abaissez la poignée inférieure et tournez les commandes de la poignée vers la position de verrouillage.
- Soulevez la tondeuse par son extrémité avant afin de la placer en position verticale.

## ⚠ A V E R T I S S E M E N T

Retirez toujours la batterie dans la tondeuse avant de ranger celle-ci en position verticale.

## INTERRUPTEUR DE RANGEMENT :

La tondeuse est équipée d'un interrupteur secondaire (1) qui empêchera la tondeuse de se mettre en marche lorsque la poignée se trouve en position de rangement. L'interrupteur secondaire (1) ne doit pas être utilisé comme solution de rechange au retrait de la clé de sécurité et de la batterie pour empêcher les mises en marche accidentelles et les utilisations non autorisées.

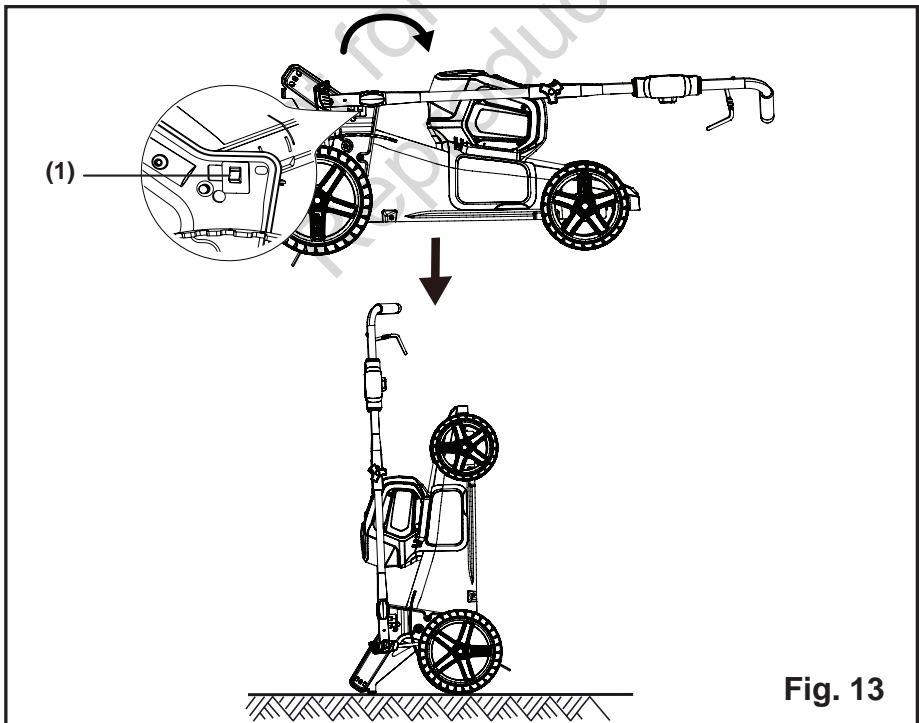
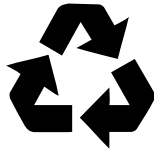


Fig. 13

# MISE AU REBUT DE LA BATTERIE SANS DANGER POUR L'ENVIRONNEMENT

---

La batterie de la tondeuse comprend du lithium-ion, une substance toxique.



---

## **AVERTISSEMENT**

Toxic materials must be disposed of in a specified manner in order to prevent contamination of the environment. Before disposing of damaged or worn out Lithium-Ion battery packs, contact your local waste disposal agency for information and specific instructions. Take the battery to a local recycling and/or disposal centre that is certified for disposal. If the battery pack cracks or breaks, whether it leaks or not, do not recharge it and do not use it. Dispose of it and replace it with a new battery pack. **DO NOT ATTEMPT TO REPAIR IT!**

---

Suivez les consignes suivantes pour éviter les blessures, les risques d'incendie, d'explosion et de choc électrique, ainsi que les dommages causés à l'environnement:

- Couvrez les bornes de la batterie à l'aide d'un ruban adhésif très résistant.
- Ne tentez pas de retirer ou de détruire les composants de la batterie.
- Ne tentez pas d'ouvrir la batterie.
- Les électrolytes rejetés lors d'une fuite sont corrosifs et toxiques. Évitez tout contact de la solution avec les yeux et la peau et ne l'avalez pas.
- Ne jetez pas les batteries avec vos ordures ménagères.
- **N'INCINÉREZ PAS** les batteries.
- **NE PLACEZ PAS** les batteries de façon à ce qu'elles se retrouvent dans un site d'enfouissement ou dans les déchets solides recueillis par la municipalité.
- Apportez les batteries à un centre de recyclage ou d'élimination certifié.

# DÉPANNAGE

ROBLÈME	CAUSE POSSIBLE	SOLUTION
La tondeuse ne démarre pas.	La batterie est à plat.	Chargez la batterie.
	Le levier de commande du moteur/de la lame est défectueux.	Remplacez l'interrupteur (contactez un centre de service autorisé).
	L'herbe a enfoncé à côté de la lame.	Enlever la pile. Vérifier sous le pont pour garantir de l'herbe n'est pas enfoncée à côté de la lame.
	La batterie n'est pas branchée au moteur.	Vérifiez la connexion entre la batterie et le moteur. Assurez-vous que la pile est enclenchée correctement.
	La batterie peut nécessiter un entretien ou un remplacement.	Contactez un centre de service autorisé ou remplacez la batterie.
La tondeuse coupe de façon inégale.	La pelouse est inégale ou en friche.	Vérifiez la zone de coupe.
	La hauteur de coupe est mal réglée.	Déplacez les roues à un réglage plus élevé.
La tondeuse ne déchiquette pas bien.	Des brins d'herbe collent sous le plateau de tonte.	Attendez que la pelouse sèche avant de la tondre.
	L'accessoire de déchiquetage n'est pas installé.	Installez l'accessoire de déchiquetage.
La tondeuse est difficile à pousser.	Le gazon est long, ou encore, la hauteur de coupe est trop basse.	Augmentez la hauteur de coupe.
	L'arrière de la tondeuse et la lame frottent contre l'herbe dense.	Videz le sac arrière.
La tondeuse vibre et est bruyante.	L'arbre du moteur est tordu.	Arrêtez le moteur, et examinez les dommages.
	La lame est déséquilibrée.	Réparez avant de remettre en marche. Si la vibration persiste, contactez un centre de service autorisé.

# GARANTIE LIMITÉE

---

Briggs & Stratton garantit la réparation ou le remplacement gratuit, pendant la période de garantie spécifiée ci-dessous, de toute pièce présentant des vices de matériaux ou de fabrication. Les frais de transport du produit à réparer ou remplacer seront, dans le cadre de cette garantie, réglés par l'acheteur. Cette garantie court sur les périodes énoncées ci-dessous et est assujettie aux conditions énoncées ci-dessous. Pour trouver le distributeur autorisé le plus proche afin d'obtenir les services couverts par la garantie, veuillez consulter notre carte de localisation de distributeur sur [www.SNAPPER.com](http://www.SNAPPER.com). L'acheteur doit contacter le distributeur autorisé, puis lui apporter le produit à des fins d'inspection et de test.

**Il n'y a pas d'autre garantie expresse. Les garanties implicites, y compris celles de qualité marchande et d'adaptation à un emploi particulier, sont limitées à une année à partir de la date d'acquisition ou conformément à ce qui est prévu par la loi. La responsabilité pour les dommages consécutifs ou indirects est exclue dans la mesure où l'exclusion est prévue par la loi.** Certains états ou pays ne permettent pas les limitations de durée de la garantie implicite. Certains états ou pays n'autorisent pas l'exclusion ou la limitation des dommages consécutifs ou indirects. Dans ce cas, la limitation ci-dessus ne s'applique pas à votre cas. La présente garantie vous offre des droits juridiques spécifiques et il se peut que vous ayez d'autres droits qui varient d'une juridiction à une autre, ou d'un pays à un autre.\*\*

## PÉRIODE DE GARANTIE

	Usage privé	Usage professionnel
Équipement	36 mois	Aucun
Batterie et chargeur de batterie	24 mois	Aucun

\*\* En Australie - Nos produits sont livrés avec des garanties qui ne peuvent pas être exclues d'après les droits de la consommation australiens. Vous pouvez obtenir un remplacement ou un remboursement en cas de défaillance majeure ou en compensation de toute perte ou de tout dommage survenu dans le cadre des conditions raisonnablement prévisibles d'utilisation du produit. Vous pouvez également bénéficier de la réparation ou du remplacement des produits si la qualité de ces derniers n'est pas acceptable et si le défaut n'entraîne pas de défaillance majeure. Pour trouver le distributeur autorisé le plus proche afin d'obtenir les services couverts par la garantie, veuillez consulter notre carte de localisation de distributeur sur [insérer l'adresse du site Web], composer le 1300 274 447, ou envoyer une demande par voie électronique à l'adresse [salesenquires@briggsandstratton.com.au](mailto:salesenquires@briggsandstratton.com.au), Briggs & Stratton Australia Pty Ltd, 1 Moorebank Avenue, NSW, Australie, 2170.

# GARANTIE LIMITÉE

---

La période de garantie commence à la date de l'achat par l'acheteur au détail ou commercial, initial. « Utilisation grand public » fait référence à un emploi dans une résidence individuelle par un particulier. « Utilisation commerciale » indique toutes les autres utilisations possibles, y compris commerciales, créatrices de revenus ou locatives. Une fois l'équipement utilisé à des fins commerciales, il est considéré comme un produit d'utilisation commerciale dans le cadre de cette garantie.

Afin d'assurer une couverture totale et rapide de la garantie, enregistrez votre produit sur le site Web indiqué ci-dessus ou sur [www.onlineproductregistration.com](http://www.onlineproductregistration.com).

Conservez votre reçu d'achat comme preuve. Si vous n'avez pas de preuve de la date de l'achat initial au moment de la demande d'un service en vertu de la garantie, la date de fabrication du produit sera utilisée pour déterminer la période de garantie. L'enregistrement du produit n'est pas requis pour obtenir un service en vertu de la garantie pour les produits Briggs & Stratton.

## AU SUJET DE LA GARANTIE

Un service en vertu de la garantie n'est disponible que par l'intermédiaire des distributeurs autorisés Snapper. Parfois, les demandes de réparations dans le cadre de la garantie peuvent ne pas être pertinentes. La présente garantie couvre uniquement les vices de matériaux ou de fabrication. Elle ne couvre pas les dommages causés par une utilisation inappropriée ou abusive, un entretien ou une réparation inapproprié, ou l'usure normale.

Utilisation inappropriée ou emploi abusif – L'emploi approprié comme il est prévu pour ce produit est décrit dans le mode d'emploi. L'utilisation du produit d'une façon non décrite dans le manuel d'utilisation ou l'emploi du produit après qu'il a été endommagé a pour effet d'annuler la garantie. Vous ne pourrez vous prévaloir de la garantie si le numéro de série du produit a été retiré, si le produit a été modifié d'une manière quelconque ou s'il présente des preuves d'utilisation abusive, telles que des marques de coups ou de corrosion par l'eau ou des produits chimiques.

Réparation ou entretien inapproprié – Ce produit doit être entretenu selon les procédures et les programmes d'entretien décrits dans le manuel de l'utilisateur. En outre, il doit être dépanné ou réparé en utilisant des pièces d'origine Briggs



## GARANTIE LIMITÉE

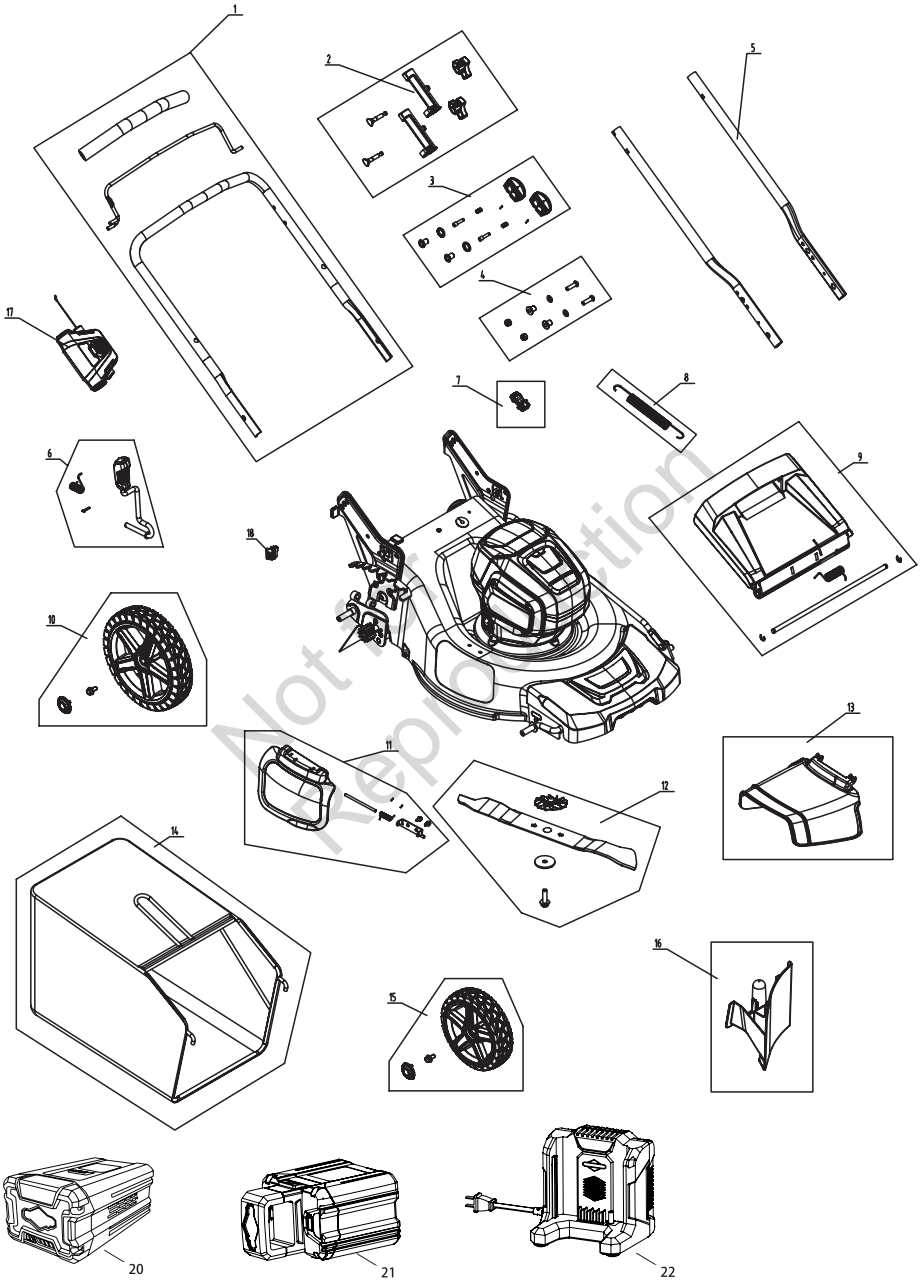
---

& Stratton ou des pièces équivalentes. Les dommages causés par un manque d'entretien ou l'utilisation de pièces n'étant pas d'origine, ne sont pas couverts par la garantie.

Usure normale – Comme tous les appareils mécaniques, votre machine est sujette à l'usure même en cas d'entretien approprié. Cette garantie ne couvre pas la réparation de pièces ou d'équipements usés par un usage normal. Les articles d'entretien et d'usure, tels que filtres, courroies, lames et plaquettes de freins (les plaquettes de frein moteur sont couvertes) ne sont pas couverts par la garantie, uniquement en raison de leur caractéristique d'usure, à moins que la cause ne soit due à des vices de matériaux ou de fabrication.

Autres exclusions – Cette garantie ne couvre pas les dégâts dus à des accidents, des abus, des modifications, des altérations ou un entretien incorrect, ni les détériorations provoquées par le gel ou par une agression chimique. Les pièces ou accessoires rattachés ne faisant pas partie du conditionnement d'origine du produit ne sont également pas couverts. Cette garantie ne comporte pas les moteurs ou équipement de démonstration, usagés, d'occasion ou remis à neuf. Cette garantie ne couvre pas les détériorations provoquées par des catastrophes naturelles ou autres cas de force majeure dépassant le contrôle des fabricants.

# VUE ÉCLATÉE



# LISTE DES PIÈCES

NO. D'ARTICLE	NO. DE PIECE	DESCRIPTION	QTÉ
1	84001927	ASSEMBLAGE DU GUIDON SUPÉRIEUR	1
2	84001954	MATÉRIEL, Montage	1
3	84001929	ASSEMBLAGE DU PIVOT, Partie inférieure du guidon	1
4	84001930	KIT DE FOURNITURE, Partie inférieure du guidon	1
5	84001931	ASSEMBLAGE DU GUIDON INFÉRIEUR	2
6	84001956	ASSEMBLAGE DE RÉGLAGE EN HAUTEUR	1
7	596798	CLÉ, Sécurité	1
8	84002267	RESSORT, Tension	1
9	84001937	COUVERCLE ARRIÈRE ENSEMBLE	1
10	84001928	ASSEMBLAGE DE LA ROUE ARRIÈRE, 10 "	2
11	84001938	ASSEMBLAGE DU COUVERCLE DE DÉCHARGE LATÉRALE	1
12	84001939	ASSEMBLAGE DE LAME DE LA TONDEUSE, 20 "	1
13	84001940	DÉFLECTEUR, décharge latérale	1
14	84001942	ASSEMBLAGE DU BAC DE RÉCUPÉRATION DES HERBES	1
15	84001943	ASSEMBLAGE DE LA ROUE AVANT, 8 "	2
16	84001944	BOUCHON, Paillage	1
17	84001945	ASSEMBLAGE DU PANNEAU DE CONTRÔLE	1
18	84001946	ASSEMBLAGE DE L'INTERRUPTEUR DE SÉCURITÉ	1
19	-----	ASSEMBLAGE DE LA PLATE-FORME DE LA TONDEUSE	1
20	1697088	BATTERIE, 48v 2.0	1
21	1697090	BATTERIE, 48v 5.0	1
22	1697092	CHARGEUR, 48v	1

Not for  
Reproduction

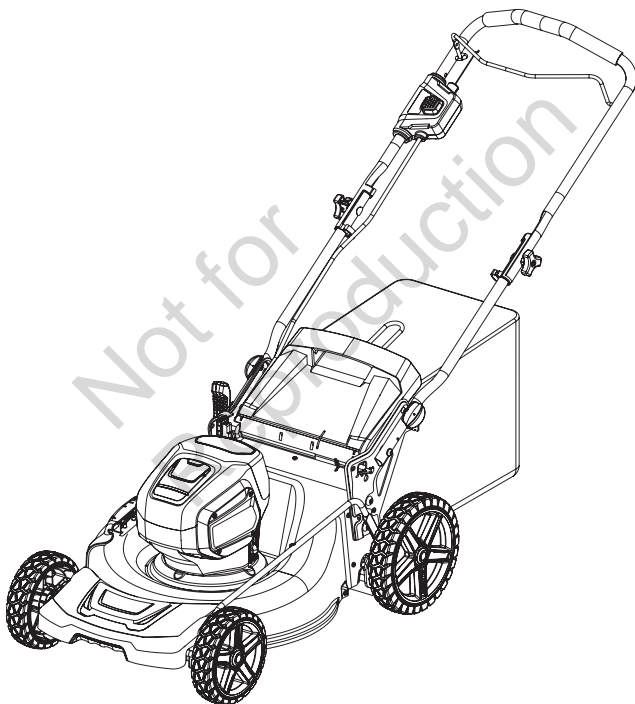


Copyright © Briggs & Stratton Corporation  
Milwaukee, WI, 53201-0702 All rights reserved.

**LIGNE D'ASSISTANCE SANS FRAIS: 1-800-317-7833**



Podadora inalámbrica de 20 pulg. de 48 V  
2691563 & 80075676 / 20WM48  
1687966 / 20WM48K



Manual del Propietario

LÍNEA DE AYUDA GRATUITA: 1-800-317-7833

[www.snapper.com](http://www.snapper.com)

---

Antes de hacer funcionar esta herramienta, lea cuidadosamente todas las reglas de seguridad y las instrucciones.

# ÍNDICE

---

Especificaciones del Producto .....	2
Información sobre Seguridad .....	3
Símbolos .....	8
Funciones y Controles.....	10
Ensamblado .....	11
Funcionamiento.....	18
Mantenimiento.....	25
Eliminación de la Batería que no Daña el Medio Ambiente.....	29
Corrección de Problemas.....	30
Garantía Limitada.....	31
Vista desarrollada .....	34
Lista de piezas .....	35

## ESPECIFICACIONES DEL PRODUCTO

---

### PODADORA INALÁMBRICA DE 20 PULG. DE 48 V

Tipo de batería.....	48 V Lithium-ion
Velocidad sin carga.....	2800 RPM
Tamaño de la cubierta.....	20" (50.8 cm)
Ajustes de altura .....	1 3/8 - 3 3/4" (3.5 - 9.5 cm)
Par de apriete (perno de la cuchilla).....	24-27 lb-ft (33-37 Nm)
Funciones .....	3-en-1: triturado de compuesto orgánico,almacenaje trasero,descarga lateral
Peso (sin batería) .....	53.6 lbs (24.3 kg)

**Exención de responsabilidad: \*El voltaje inicial máximo de la batería (medido sin carga de trabajo) es de 48 voltios. Es voltaje nominal es de 43.**

# INFORMACIÓN DE SEGURIDAD

---

## GUARDAR ESTAS INSTRUCCIONES

---

### **⚠ A D V E R T E N C I A**

Esta podadora puede amputar partes del cuerpo y arrojar objetos. El incumplimiento de las siguientes normas de seguridad puede resultar en lesiones graves o la muerte.

---

### **⚠ A D V E R T E N C I A**

Cuando se utiliza maquina de cortadoras de césped, las precauciones básicas de seguridad siempre debe ser seguido para reducir el riesgo de incendio, descarga eléctrica, y lesiones personales, entre ellas las siguientes:

---

## 1. FUNCIONAMIENTO GENERAL

- Evite condiciones peligrosas. No use la máquina bajo la lluvia ni en césped mojado o húmedo.
  - No use a la lluvia.
  - Mantenga a los niños alejados – Todos los visitantes deberán permanecer a una distancia prudencial de la zona de trabajo.
  - Use la ropa adecuada. No use ropa holgada ni joyas que puedan quedar atrapadas en las piezas en movimiento. Se recomienda el uso de guantes de protección y calzado de seguridad.
  - Utilice gafas de seguridad. – Siempre utilice una máscara facial o una máscara para polvo si usa la podadora en condiciones de polvo.
  - Uso correcto del aparato – No use la podadora en tareas que no sean para las que fue diseñada.
  - No fuerce el cortacésped. Realizará un trabajo mejor y más seguro a la velocidad para la que ha sido diseñada.
  - No realice sobreesfuerzos – sitúese en una superficie nivelada y mantenga el equilibrio en todo momento.
  - Manténgase alerta - No utilice el cortacésped cuando esté cansado. Preste atención a lo que está haciendo. Utilice el sentido común.
  - Guarde el cortacésped que no use en el interior - Cuando no está en uso, el cortacésped debe guardarse en un lugar interior seco, bajo llave, fuera del alcance de los niños.
  - Mantenga el cortacésped - Mantenga los bordes de corte afilados y limpias para que realicen un trabajo mejor y más seguro.
-

# INFORMACIÓN DE SEGURIDAD

---

- Siga las instrucciones de lubricación y cambio de accesorios.
- Mantenga las manijas secas, limpias y sin aceite ni grasa.
- Mantenga los dispositivos de seguridad (cubiertas, protectores, interruptores, etc.) en su sitio y en funcionamiento.
- Mantener las cuchillas afiladas.
- Mantenga las manos y los pies alejados de las cuchillas y del área de corte.
- Los objetos que se golpean con la cuchilla de la cortadora de césped pueden causar lesiones graves a las personas. Hay que examinar con atención la cortadora y quitar todos los objetos antes de cada uso.
- Si la máquina golpea un objeto extraño, siga estos pasos:
  - i) Pare el cortacésped, suelte el interruptor.
  - ii) Quite la batería.
  - iii) Verifique si hay algún daño.
  - iv) Repare cualquier daño antes de volver a poner en funcionamiento y utilizar el cortacésped.
- Utilice solamente cuchillas de recambio originales.
- No cargue la podadora bajo la lluvia o en un lugar húmedo.
- Quite o desconecte la batería antes del mantenimiento, limpieza o retirada de material del cortacésped.
- Utilice baterías de repuesto aprobadas únicamente. Otras baterías pueden ocasionar daños a la podadora. Solo deben utilizarse baterías BSB2AH48 o BSB5AH48 de Briggs & Stratton. Solo debe utilizarse el cargador BS2AC48 de Briggs & Stratton.
- No tire la batería al fuego. La celda podría explotar. Compruebe la normativa local si existen instrucciones de desecho especiales.
- No abra las baterías ni las corte. Las baterías dañadas puede liberar electrolitos corrosivos que pueden causar daño a los ojos o piel. Podría ser tóxico si se le ingiere.
- Tenga cuidado al manipular las baterías para que no se produzca ningún cortocircuito con materiales conductores como anillos, pulseras y llaves. La batería o el conductor pueden sobrecalentarse y provocar quemaduras.
- Lea, comprenda y siga todas las instrucciones de la máquina y del/de los manual/es antes de empezar.
- Solo se permite usarla a adultos responsables que conozcan las instrucciones para manejarla.



# INFORMACIÓN DE SEGURIDAD

---

- Despeje la zona de objetos como piedras, cables, juguetes, etc., que podrían ser lanzados por la cuchilla. Permanezca detrás de la empuñadura cuando el motor esté funcionando.
- Antes de utilizarla, asegúrese de que la zona está despejada y de que no hay personas en medio. Detenga la máquina si alguien entra en el área.
- No la maneje con los pies descalzos o mientras lleve sandalias. Lleve siempre un calzado fuerte.
- No empuje la cortadora hacia atrás a menos que sea absolutamente necesario. Mire siempre debajo y detrás de usted antes de moverse hacia atrás.
- No dirija nunca material descargado en dirección a una persona. Evite la descarga de material contra una pared u obstrucción. El material puede rebotar hacia el operador. Detenga la hoja cuando pase por superficies con grava.
- No manipule el aparato sin el dispositivo de colección de césped completo, el protector de descarga, el protector trasero o cualquier otro dispositivo de seguridad en su lugar o funcionando.
- No deje nunca la máquina en funcionamiento sin vigilar.
- Apague el motor y espere a que la cuchilla se detenga completamente antes de retirar el colector de césped o desobstruir el ducto.
- Corte el césped solamente con luz de día o una buena luz artificial.
- No haga funcionar el cortacésped bajo los efectos de alcohol o cualquier sustancia.
- No use nunca la cortadora en césped mojado. Asegúrese siempre de andar correctamente, no corra.
- Desactive el sistema de accionamiento si viene equipado así antes de encender el motor.
- Si la máquina comenzara a vibrar excesivamente, detenga el motor y busque la causa de inmediato. Por lo general, la vibración advierte un problema.
- Use siempre protección para los ojos cuando utilice la máquina.
- Consulte las instrucciones del fabricante para manejar e instalar los accesorios de forma adecuada. Utilice únicamente los accesorios aprobados por el fabricante.

## 2. USO EN PENDIENTES

- Las pendientes son una de las causas principales de accidentes por

# INFORMACIÓN DE SEGURIDAD

---

- resbalones y caídas accidentales que pueden provocar lesiones severas. El funcionamiento de la podadora en pendientes requiere tomar precauciones extraordinarias. Si se siente inseguro en una pendiente, no use la podadora allí.
- Pude atravesando las pendientes; no hacia arriba ni hacia abajo. Tenga mucha precaución al cambiar de dirección en una pendiente.
- Tenga cuidado con los pozos, surcos, piedras, objetos ocultos o montículos que puedan provocar que se resbale o tropiece. El césped alto puede ocultar obstáculos.
- No use la cortadora en césped mojado o pendientes muy inclinadas. El poco apoyo puede causar accidentes por resbalón o caída.

## 3. NIÑOS

Pueden ocurrir accidentes trágicos si el operador no está atento a la presencia de niños. Normalmente, los niños se sienten atraídos por la máquina y por el corte. Nunca suponga que los niños van a permanecer donde les vio por última vez.

- Mantenga a los niños fuera del área de trabajo y bajo estricta vigilancia de un adulto responsable.
- Esté alerta y apague la podadora si un niño o cualquier otra persona ingresan al área de trabajo.
- No permita que los niños utilicen la máquina.
- Tenga extremo cuidado cuando se acerque a esquinas ciegas, entradas de puertas, arbustos, árboles u otros objetos puedan bloquearle la vista de un niño que pudiera correr hacia la podadora.

## 4. SERVICIO

- Mantenga tuercas, pernos y tornillos ajustados para asegurarse de que el equipo se encuentre en una condición de trabajo segura.
- Nunca retire o manipule los dispositivos de seguridad. Compruebe su funcionamiento correcto con regularidad. No haga nunca nada que interfiera con la función pretendida de un dispositivo de seguridad ni que reduzca la protección ofrecida por un dispositivo de seguridad.
- Mantenga la máquina libre de hierba u otros restos que puedan acumularse. Deje enfriar la máquina antes de guardarla.
- Si choca un objeto extraño, detenga el motor y cambie el pasador de seguridad. Inspeccione minuciosamente si la podadora se dañó. Repare los daños antes de usar la podadora.

# INFORMACIÓN DE SEGURIDAD

---

- Nunca haga ajustes o reparaciones con el motor en marcha.
- Retire siempre el paquete de baterías de las cortadoras antes de efectuar ajustes, limpieza o reparaciones.
- Compruebe los componentes del dispositivo de colección de césped y el protector de descarga con frecuencia. Sustituya con las piezas recomendadas del fabricante si es necesario.
- Las cuchillas están afiladas y pueden cortar. Envuelva las cuchillas o use guantes. Realice las reparaciones con extremo cuidado.
- Cuide o sustituya las etiquetas de seguridad y de instrucciones, según sea necesario.

---

## **⚠ A D V E R T E N C I A ( P R O P O S I C I Ó N 6 5 )**

Este producto contiene un producto químico conocido en el Estado de California por: producir cáncer, malformaciones de nacimiento/ anomalías congénitas u otros daños reproductivos.

Algo del polvo provocado por las lijadoras, sierras, trituradoras y taladros eléctricos, y otras actividades de construcción Contiene químicos reconocidos como causantes de cáncer y defectos congénitos u otros daños en el aparato reproductivo. Algunos ejemplos de estos químicos son:

- Plomo de pinturas con base de plomo,
- Sílice cristalina de ladrillos, cemento y otros productos de mampostería
- Arsénico y cromo de madera tratada con químicos.

El riesgo que corre a la exposición de estos químicos varía dependiendo de la frecuencia con que realiza estos tipos de trabajos. Para reducir la exposición a estos químicos: trabaje en un área bien ventilada y con el equipamiento de seguridad aprobado, como por ejemplo máscaras especialmente diseñadas para filtrar las partículas microscópicas.




---

**GUARDAR ESTAS INSTRUCCIONES**






---

# SYMBOLS

Algunos de los siguientes símbolos pueden ser usados en este producto. Obsérvelos y aprenda su significado. La interpretación correcta de estos símbolos permite una operación mejor y más segura.

SÍMBOLO	NOMBRE	DENOMINACIÓN/EXPLICACIÓN
V	Voltios	Voltaje
A	Amperios	Corriente
Hz	Hertz	Frecuencia(ciclos por segundo)
W	Watts	Potencia
min	Minutos	Tiempo
	Corriente alterna	Tipo de corriente
	Corriente continua	Tipo o característica de corriente
$n_0$	Velocidad sin carga	Velocidad de giro al no haber carga
	Fabricación Clase II	Fabricación con doble aislamiento
/min	Por minuto	Revoluciones,carreras,velocidad superficial
	Moje Condiciones Ponen obre aviso	No exponga la unidad a la lluvia ni la use en lugares húmedos.
	Lea el manual del operador	Para reducir el riesgo de lesiones,el usuario debe leer y comprender el manual del operador antes de usar este producto.
	Alerta de seguridad	Precauciones para su seguridad.
	Protección ocular	Use protección para los ojos con protectores laterales que cumpla con la ANSI Z87.1 al usar este producto.

# SYMBOLS

	Mantenga las manos y los pies alejados	Mantenga las manos y los pies alejados de las cuchillas y del área de corte.
	No extenderse	No extienda las manos o los pies por debajo de la cubierta de la podadora.
	No utilizar sobre pendientes	No utilice la podadora sobre pendientes superiores a los 15°. Corte sobre la superficie de las pendientes y nunca de arriba a abajo.
	Mantenga alejadas a las personas presentes	Mantenga a los circunstantes a una distancia mínima de 30 m (100 pies).
	Riesgo de rebote	Tenga cuidado para que los espectadores que puedan estar cerca no resulten heridos por objetos extraños que puedan salir despedidos del cortacésped.

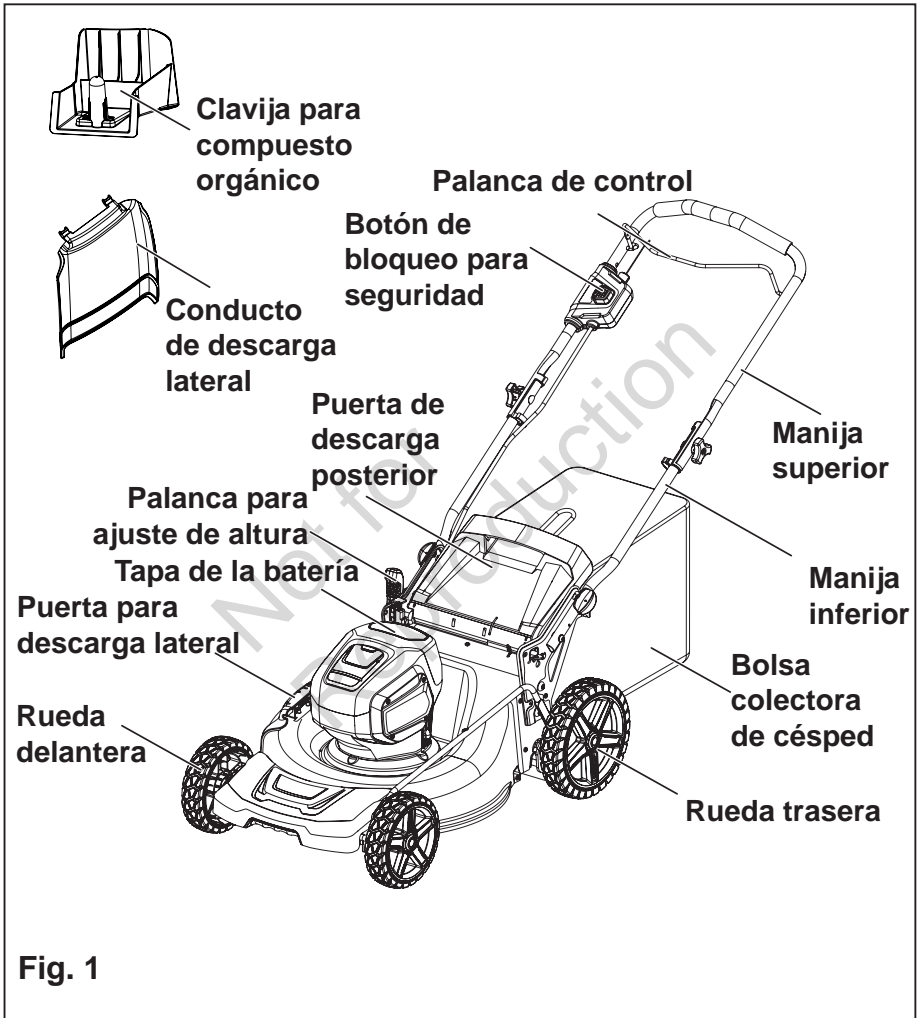
Las siguientes palabras de señalización y sus significados tienen el objeto de explicar los niveles de riesgo relacionados con este producto.

SÍMBOLO	SEÑAL	SIGNIFICADO
	<b>PELIGRO</b>	Indicates an imminently hazardous situation, which, if not avoided, will result in death or serious injury.
	<b>ADVERTENCIA</b>	Indica una situación peligrosa posible, la cual, si no se evita, podría causar la muerte o lesiones serias.
	<b>PRECAUCIÓN</b>	Indica una situación potencialmente peligrosa la cual, si no se evita, puede causar lesiones leves o moderadas.
	<b>PRECAUCIÓN</b>	(Sin el símbolo de alerta de seguridad) Indica una situación que puede producir daños materiales.

**GUARDAR ESTAS INSTRUCCIONES**

# FUNCIONES Y CONTROLES

Lea el manual del operador y las normas de seguridad antes de manejar la podadora. Compare la ilustración en Fig. 1 con la podadora para familiarizarse con la ubicación de los diferentes controles y ajustes. Guarde este manual para referencia futura.



# ENSAMBLADO

---

## DESEMPAQUETADO

- Extraiga cuidadosamente de la caja la herramienta y los accesorios. Asegúrese de que estén presentes todos los artículos enumerados en la lista de empaquetado.
- Inspeccione cuidadosamente la herramienta para asegurarse de que no haya sufrido ninguna rotura o daño durante el transporte.
- No deseche el material de empaquetado hasta que haya inspeccionado cuidadosamente la herramienta y la haya utilizado satisfactoriamente.
- Si hay piezas dañadas o faltantes, le suplicamos llamar al 1-800-317-7833 donde le brindaremos asistencia.

---

### **⚠ A D V E R T E N C I A**

En caso de que se dañe o falte alguna pieza, no utilice este producto hasta que se hayan reemplazado las piezas. El uso de un producto al que le faltan piezas o cuyas piezas están dañadas, puede producir lesiones personales graves.

---

---

### **⚠ A D V E R T E N C I A**

No intente modificar este producto o crear accesorios que no fueron recomendados para usar con este producto. Cualquier alteración o modificación se considerará como mal uso y podrá resultar en una condición peligrosa que conducirá a posibles lesiones personales serias.

---

---

### **⚠ A D V E R T E N C I A**

No inserte la llave hasta que el montaje sea completo y la unidad esté lista para cortar. Si la máquina está mal montada, podría arrancar accidentalmente y provocar graves daños personales.

---

---

### **⚠ A D V E R T E N C I A**

Para evitar un arranque accidental que podría causar lesiones corporales serias, retire siempre la batería del producto al ensamblar las piezas.

---

---

### **⚠ A D V E R T E N C I A**

No utilice nunca el cortacésped sin los dispositivos de seguridad adecuados en su lugar y en perfectas condiciones. Nunca use el cortacésped con dispositivos de seguridad dañados. La utilización de este producto con piezas dañadas o faltantes podrá causar lesiones personales serias.

---

# ENSAMBLADO

## DESPLEGAR Y AJUSTAR EL MANGO INFERIOR

(Consulte la figura 2)

### ⚠ ADVERTENCIA

Plegar y desplegar el mango incorrectamente puede dañar los cables y dar lugar a unas condiciones de funcionamiento inseguras.

- No dañe los cables al plegar o desplegar el mando.
- Si el cable está dañado póngase en contacto con el establecimiento de servicio autorizado.

- Tire y gire 90° las perillas de los mangos (1) que están a los dos lados para aflojar los mangos inferiores (2) de los dos lados.
- Mueva los mangos inferiores hasta la posición de funcionamiento. Puede elevar o bajar el mango hasta colocarlo en la posición más cómoda. Hay 3 posiciones (3) para elegir. Suelte las perillas de los mangos para colocar el mango inferior en su sitio.

*NOTA: Asegúrese de que ambos lados se fijan en la misma posición durante el montaje adecuado.*

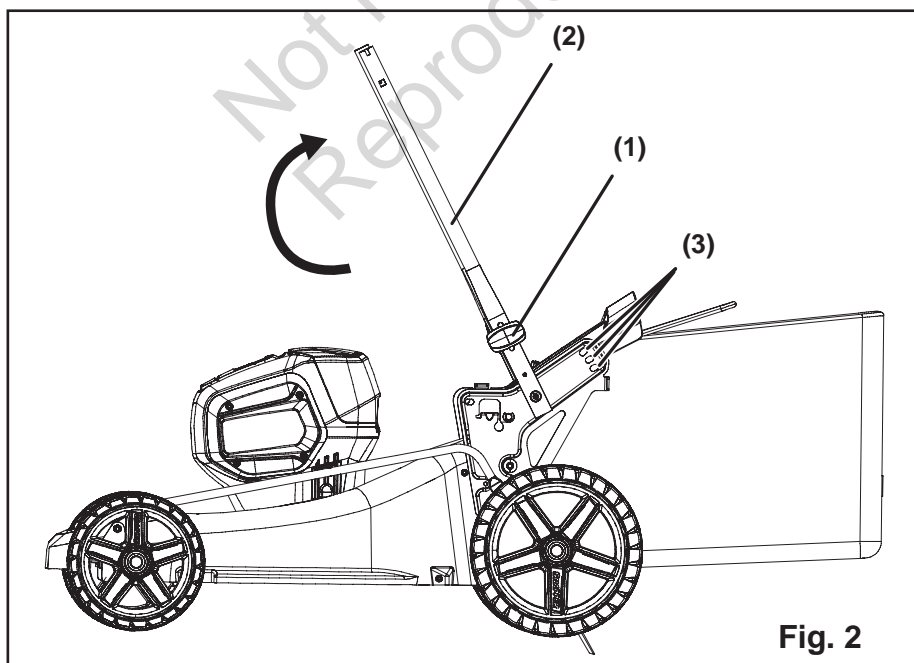


Fig. 2



# ENSAMBLADO

## INSTALACIÓN DEL MANGO SUPERIOR (Consulte la figura 3)

- Alinee los agujeros para montar de la manija superior (1) y la manija inferior (2). Introduzca el perno (3) de cabeza de hongo y utilice las perillas (4) para apretarlos. Repita la operación por el otro lado.

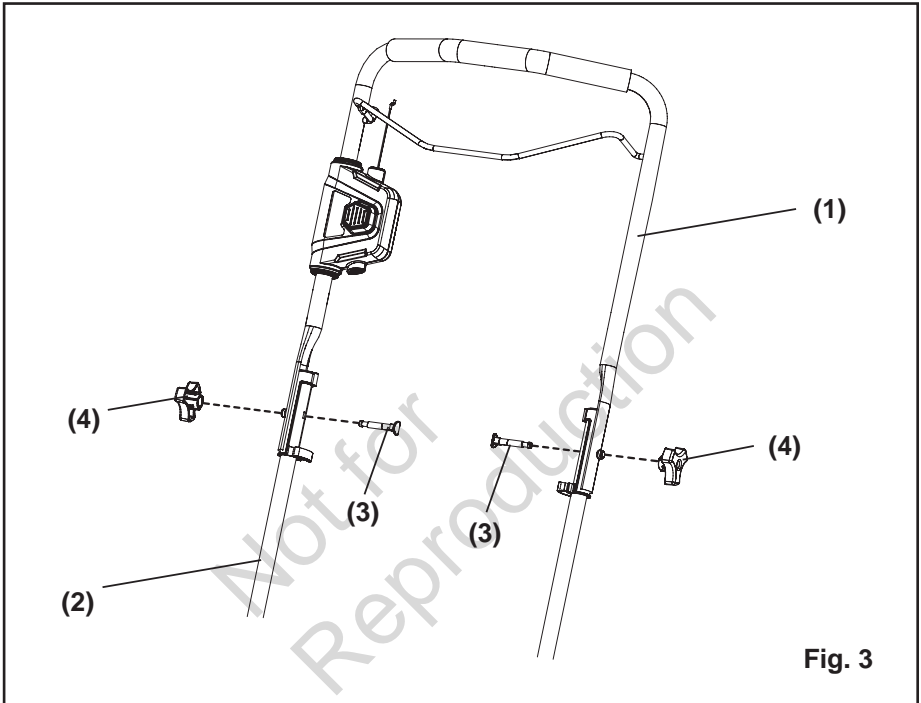


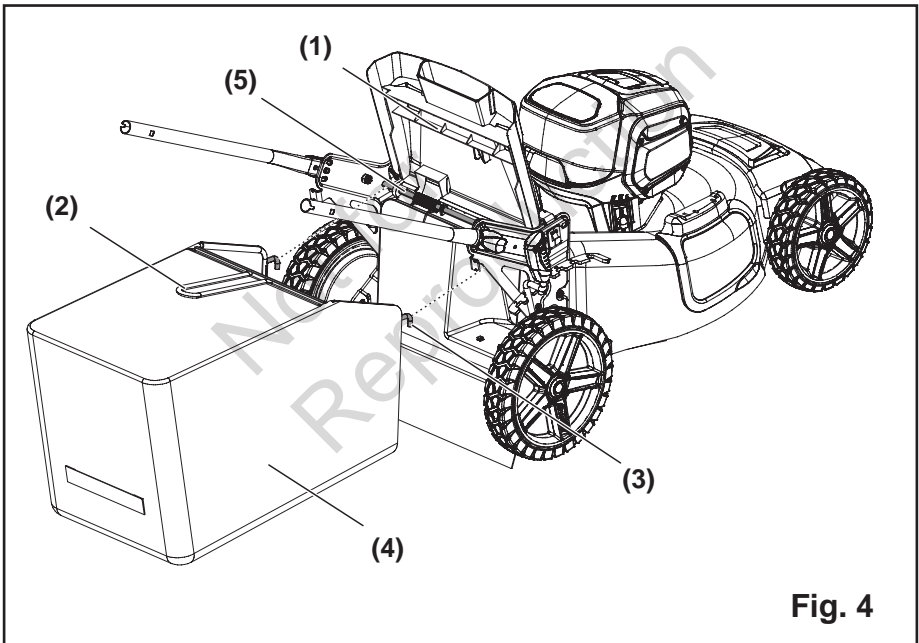
Fig. 3

## ENSAMBLADO

### COLOCACIÓN DEL COLECTOR DE CÉSPED (Consulte la figura 4)

- Levante la puerta de descarga posterior (1).
- Levante el receptor de hierba por su mango (2) y colóquelo debajo de la puerta de descarga posterior de modo que los ganchos (3) del receptor de hierba (4) queden asentados en la barra de la puerta (5).
- Suelte la puerta de descarga posterior. Cuando estén correctamente instalados, los ganchos del receptor de hierba saldrán por las aberturas de la puerta de descarga posterior.

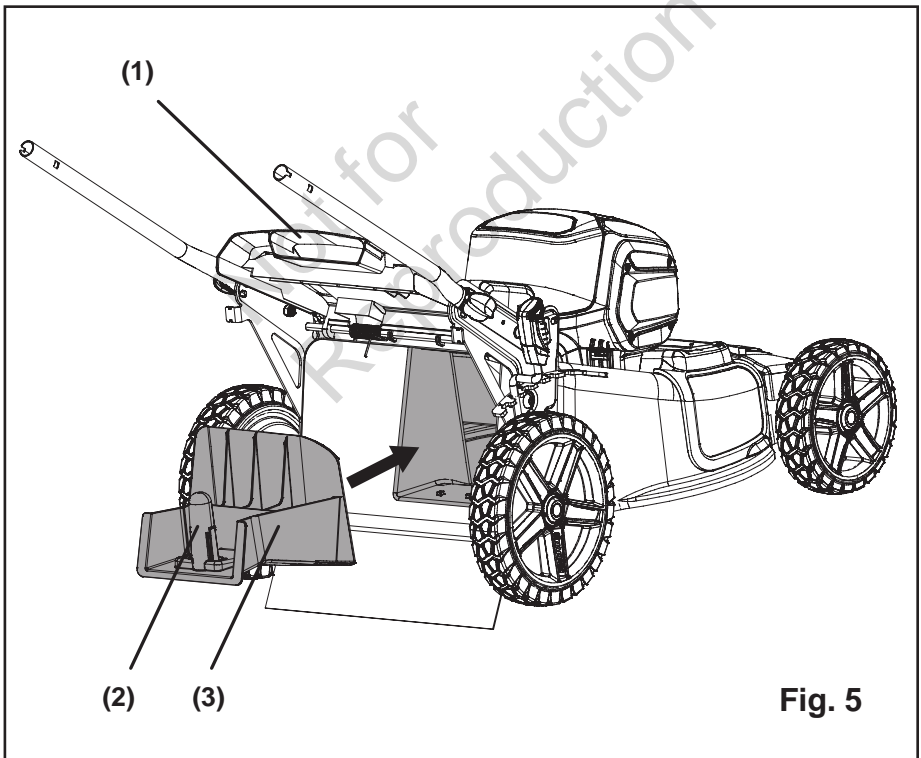
*NOTA: Cuando utilice el receptor de hierba no instale el deflector de descarga lateral ni el tapón de ecubrimiento.*



# ENSAMBLADO

## INSTALACIÓN O RETIRO DE LA CLAVIJA PARA COMPUESTO ORGÁNICO *(Consulte la figura 5)*

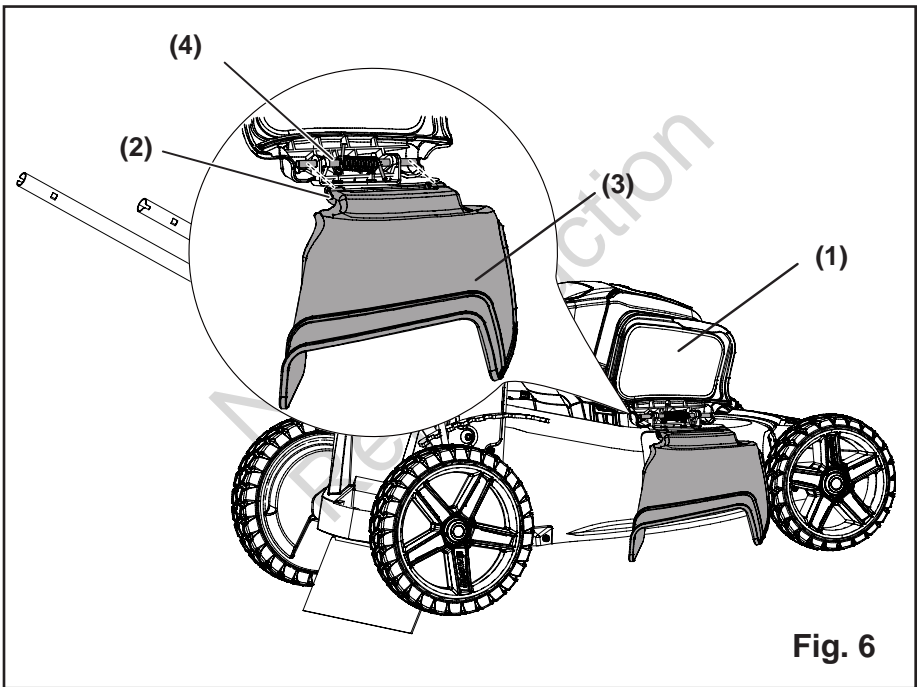
- Para quitar el tapón de la función para cubrimiento con hojarasca , levante la puerta de descarga posterior (1).
- Tome la manija (2) del tapón de la función para cubrimiento con hojarasca y sáquelo mediante la manija.
- El tapón de la función para cubrimiento con hojarasca (3) se inserta angulado, por lo que es necesario ejercer un poco de fuerza para quitarlo.
- Para instalar la bolsa para recolección de grama se debe quitar el tapón de la función para cubrimiento con hojarasca.
- Al quitar la bolsa para recolección de grama se debe colocar de regreso el tapón de la función para cubrimiento con hojarasca.



**Fig. 5**

## INSTALACIÓN DEL DEFLECTOR DE DESCARGA LATERAL (Consulte la figura 6)

- Levante la puerta de descarga lateral (1).
- Alinee las ranuras (2) del deflector (3) con los pasadores (4) de la Puerta de descarga lateral (1).
- Baje el deflector hasta que los ganchos del piso de la podadora estén asegurados en las aberturas del deflector.
- Suelte el deflector y la puerta.

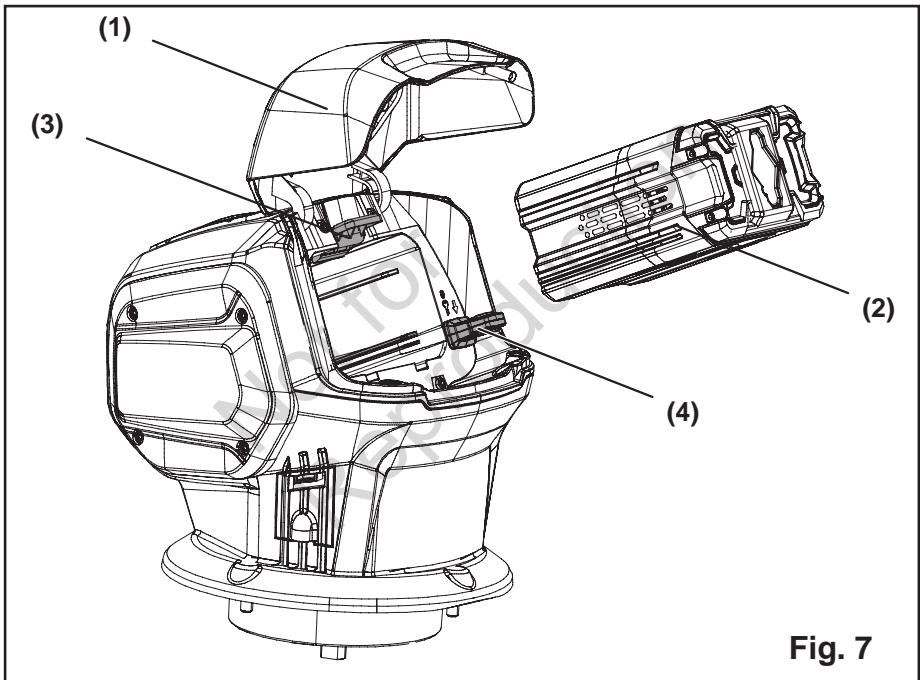


# ENSAMBLADO

---

## PARA INSTALAR LA BATERÍA (Consulte la figura 7)

- Levante y sostenga la tapa de la batería (1).
- Alinee la batería (2) con el puerto de la batería de la podadora.
- Asegúrese de que el botón de liberación de la batería (3) trabe en su lugar y que la batería esté completamente asentada y asegurada en la podadora antes de empezar la operación.
- Inserte la llave de seguridad (4). Si no va a utilizar la máquina inmediatamente, no inserte la llave de seguridad.
- Cierre la tapa.



## PARA RETIRAR LA BATERÍA (Consulte la figura 7)

- Libere la palanca de control (N) para detener la podadora.
- Abra la tapa de la batería. Retire la llave de seguridad.
- Presione el botón de liberación de la batería (3) en la podadora. Esto hará que la batería se salga ligeramente de la herramienta.
- Retire la batería de la podadora.

## FUNCIONAMIENTO

---

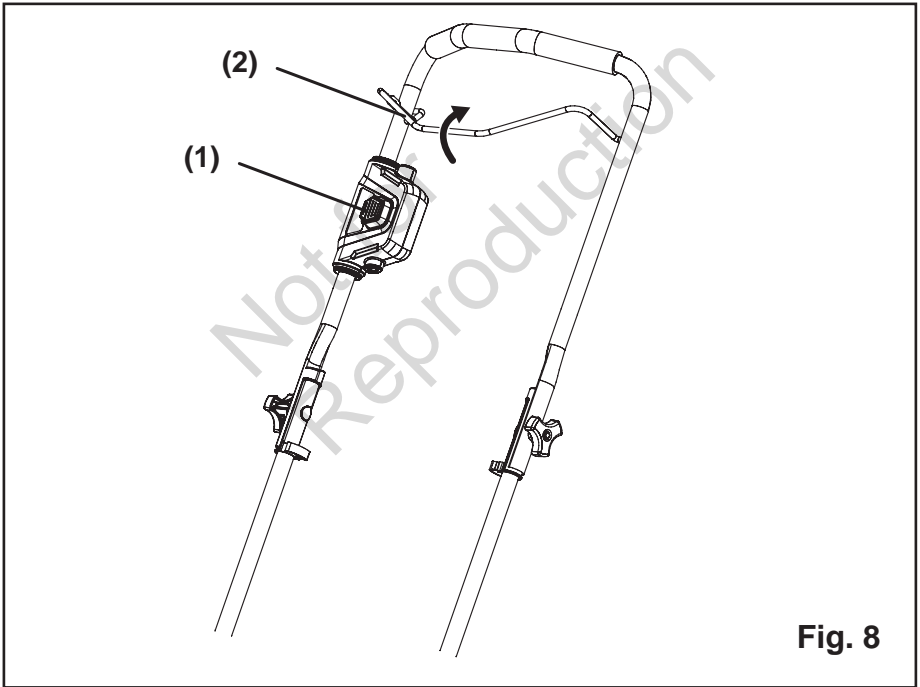
### ENCENDIDO / APAGADO DE LA PODADORA *(Consulte la figura 8)*

#### Para arrancar la podadora:

- Levante la tapa de la batería. Instale la batería. Inserte la llave de seguridad.
- Presione y mantenga presionado el botón de bloqueo para seguridad (1).
- Hale la palanca de control (2) hacia arriba de la manija para encender la podadora y suelte el botón.

#### Para detener la podadora:

- Libere la palanca de control.



# FUNCIONAMIENTO

---

## Arranque suave

Este cortacésped de LI-ION está equipado con una función de "arranque suave". Al arrancar inicialmente, el cortacésped se llevará aprox. 3 segundos para llegar hasta la máxima velocidad. Si el cortacésped no arranca inicialmente: Retire la batería y compruebe bajo la plataforma de corte para asegurarse de que no hay nada obstruyendo la cuchilla y que puede girar libremente con la mano. Incluso una pequeña cantidad de hierba en la puesta en marcha evitará que el "arranque suave" empiece.

---

## **⚠ PRECAUCIÓN**

No intente anular el funcionamiento de la botón de bloqueo para seguridad o palanca de control.

---

## **⚠ ADVERTENCIA**

Una operadora en funcionamiento puede arrojar objetos extraños a los ojos del operador y, de esta manera, ocasionar graves daños oculares. Siempre use gafas de seguridad cuando use la podadora y realice ajustes o reparaciones.

---

**INSPECCIÓN DEL ÁREA DE CORTE.** Retire piedras, palos, cables, juguetes y otros desechos que la cuchilla giratoria pueda arrojar.

# FUNCIONAMIENTO

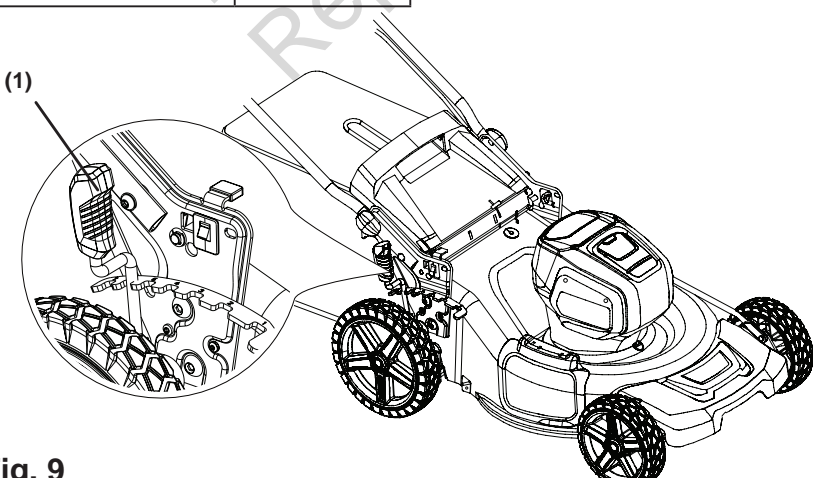
## AJUSTE DE LA ALTURA DE CORTE *(Consulte la figura 9)*

Al enviarse el aparato, las ruedas en el cortacésped se ajustan a una posición de corte bajo. Antes de usar el cortacésped por primera vez, ajuste la posición del corte a la altura más adecuada para su cortacésped. El césped promedio debería medir entre 38 mm y 50 mm durante los meses fríos y entre 50 mm y 83 mm durante los meses cálidos.

### Para ajustar la altura de la hoja:

- Eleve la altura de la hoja sujetando la palanca de ajuste de altura (1) y moviéndola hacia la parte posterior de la podadora.
- Baje la altura de la hoja sujetando la palanca de ajuste de altura (1) y moviéndola hacia la parte delantera de la podadora.

Ajustes de altura	1 3/8 - 3 3/4"
1er ajuste	1 3/8"
2º ajuste	1 7/8"
3er ajuste	2 1/8"
4º ajuste	2 5/8"
5º ajuste	3"
6º ajuste	3 3/8"
7º ajuste	3 3/4"



The diagram shows a side view of a lawnmower with a height adjustment lever labeled (1) on the left side of the deck. A circular inset provides a detailed view of the deck's internal mechanism, showing the blade and the adjustment lever's connection points. The lever is shown in two positions: one for raising the blade and one for lowering it.

**Fig. 9**



# FUNCIONAMIENTO

---

## MANEJO EN PENDIENTES *(Consulte la figura 10)*

---

### **▲ A D V E R T E N C I A**

Las pendientes son una de las causas principales de accidentes por resbalones y caídas accidentales que pueden provocar lesiones severas. El funcionamiento de la podadora en pendientes requiere tomar precauciones extraordinarias. Si se siente inseguro en una pendiente, no use la podadora allí. Para su seguridad, antes de hacer funcionar esta podadora en un área inclinada o con lomas, utilice el registrador de pendientes que ha sido incluido como parte de este manual para medir pendientes.

---

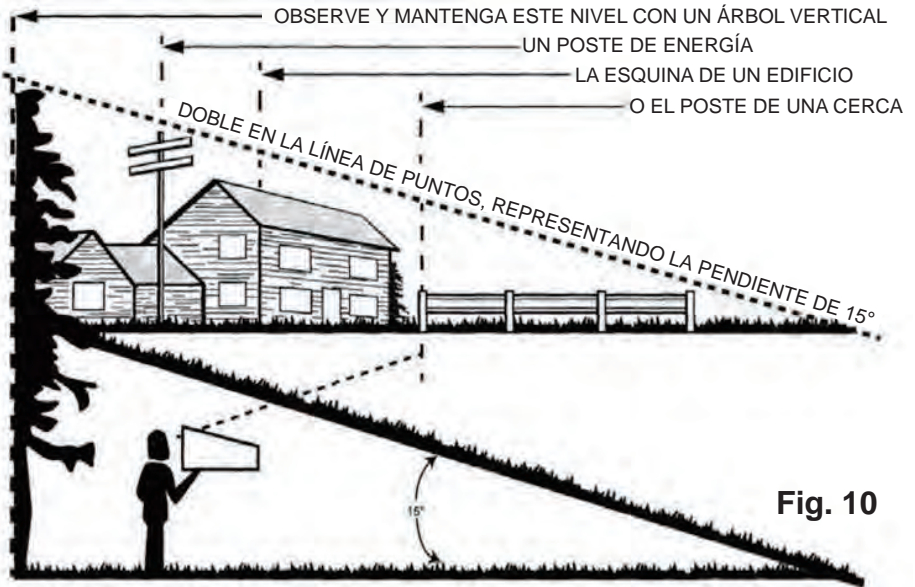
- Pude atravesando las pendientes; no hacia arriba ni hacia abajo. Tenga mucha precaución al cambiar de dirección en una pendiente.
  - Tenga cuidado con los pozos, surcos, piedras, objetos ocultos o montículos que puedan provocar que se resbale o tropiece. El césped alto puede ocultar obstáculos. Retire todos los objetos como piedras, ramas de árboles, etc., que puedan provocar tropezones o ser lanzados por la cuchilla.
  - Siempre asegúrese de su postura. Un resbalón y caída puede provocar lesiones serias. Si siente que está perdiendo el equilibrio, suelte el mango de control del motor/cuchilla inmediatamente. La cuchilla para de girar en 3 segundos.
  - No pode el pasto de precipicios, zanjas o terraplenes; podría perder la firmeza de la postura o el equilibrio.
  - No pode el césped en pendientes con un ángulo mayor a 15°.
  - No pode la grama húmeda o mojada. Un apoyo poco estable podría provocar resbalones.
- 

### **▲ A D V E R T E N C I A**

No pode el césped en pendientes con un ángulo mayor a 15° (una elevación de aproximadamente 2-1/2 pies [0.75 metros] cada 10 pies [3 metros]). Pude transversalmente en el frente de una pendiente y nunca arriba abajo.

---

# FUNCIONAMIENTO



Not for  
Reproduction

# FUNCIONAMIENTO

---

## CONSEJOS DE PODA

---

*NOTA: el rendimiento de la podadora será mucho mayor con una cuchilla filosa, especialmente si de corta césped alto. Asegúrese de revisar la cuchilla y afilarla al menos una vez al año, según se describe en la sección Mantenimiento.*

- Verifique que no haya piedras, palos, cables ni otros objetos en el césped que puedan dañar las cuchillas o el motor. Es posible que la podadora arroje estos objetos accidentalmente y en cualquier dirección, algo que puede ocasionar lesiones personales graves al operador y a otras personas.
- Para evitar descargas eléctricas, no use la podadora en condiciones húmedas.
- No pade el césped en círculos. Muévase hacia adelante y atrás del césped.
- Cuando corte césped grueso, pase la podadora más lentamente para lograr un mejor corte y una adecuada descarga de recortes. Para tener un césped sano, siempre corte un tercio o menos de su altura total. El césped promedio debe tener aproximadamente de 3,8 a 5 cm (1-1/2 a 2 pulgadas) de altura en meses fríos y más de 5 cm (2 pulgadas) en meses cálidos. Si hay crecimiento, el césped debe cortarse en otoño.

## CONSEJOS DE TRITURACIÓN DE COMPUESTO ORGÁNICO

---

*NOTA: SIEMPRE INSPECCIONE EL ÁREA DONDE UTILIZARÁ LA PODADORA Y RETIRE PIEDRAS, PALOS, CABLES, HUESOS Y OTROS DESECHOS QUE LA CUCHILLA GIRATORIA PUEDA ARROJAR.*

- Libere la palanca de control para apagar la podadora si cruza un área con gravilla (la cuchilla podría arrojar piedras).
- Coloque la podadora en la altura de corte más alta cuando pade suelos duros o malezas altas.
- Para que la trituración sea efectiva, no corte césped húmedo ya que tiende a pegarse en el lado inferior de la plataforma y, de esta manera, los recortes de césped no se Trituran correctamente. Es posible que el césped nuevo o espeso necesite un corte más angosto. La velocidad en el suelo debe ajustarse según la condición del césped. Si no ha podado y el césped ha crecido más de 10 cm, pódelo dos veces para reducir su altura a un máximo de 8,3 cm.
- Camine a un ritmo constante y adecuado. Superponga las filas. No deje que el césped crezca demasiado. En caso de que esto suceda, comience en la posición de corte más alta y luego baje a la altura de corte deseada.

---

## **▲ A D V E R T E N C I A**

Si usted golpea un objeto extranjero, para el motor y quita la batería. Inspeccione minuciosamente si la podadora se dañó. Repare los daños antes de usar la podadora. La vibración excesiva de la podadora durante su funcionamiento advierte un daño. Inspeccione minuciosamente la podadora y repare los daños antes de usarla.

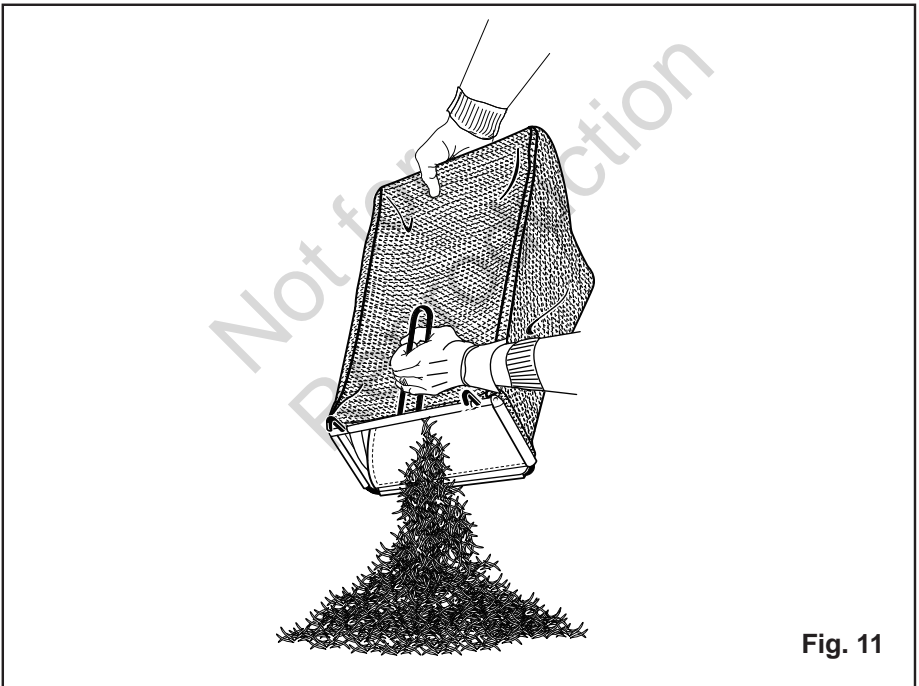
---

## FUNCIONAMIENTO

---

### VACIADO DE LA BOLSA PARA ENSACAR LA HIERBA (Consulte la figura 11)

- Detenga la podadora de césped, deje que las hojas se detengan por completo y retire la batería.
- Levante la cubierta de descarga trasera.
- Levante la bolsa para ensacar la hierba por el mango para retirarla de la podadora.
- Vierta el césped triturado para vaciar la bolsa.
- Levante la cubierta de descarga trasera y reinstale la bolsa para ensacar la hierba como se ha descrito anteriormente en este manual.



# MANTENIMIENTO

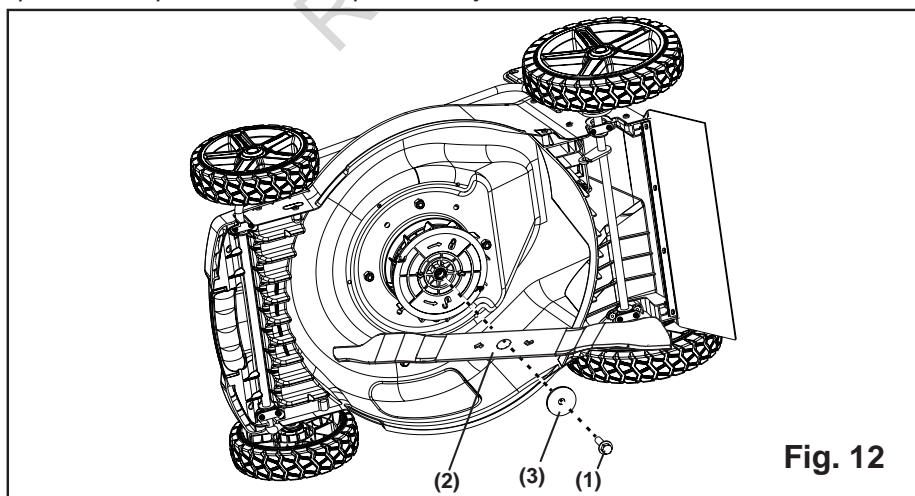
## CAMBIO DE LA CUCHILLAE (Consulte la figura 12)

### ⚠ A D V E R T E N C I A

Para reducir el riesgo de descarga eléctrica, no exponga la podadora al agua. Se debe limpiar el lado inferior de la plataforma de la podadora después de cada uso, ya que se acumulan recortes de césped, hojas, suciedad y otros desechos, y producen óxido y corrosión.

- RETIRE LA BATERÍA.
- Use guantes acolchados de cuero y calce un bloque de madera entre la cuchilla y la plataforma de la podadora a fin de evitar que la cuchilla gire cuando se retire la perilla (1).
- Con una llave ajustable o una llave de tubo de 27 mm, afloje el perno (1), espaciador (3) y retire la cuchilla (2). Gire la tuerca “EN DIRECCIÓN CONTRARIA A LAS MANECILLAS DEL RELOJ” para aflojarla y “EN LA MISMA DIRECCIÓN QUE LAS MANECILLAS DEL RELOJ” para ajustarla.
- Retire el perno (1), espaciador (3) y la cuchilla (2).
- Para volver a colocar la cuchilla, póngala con los bordes cortantes en dirección a la tierra. Ensamble la perilla como se muestra a continuación. Apriete la tuerca de la hoja hacia abajo en el sentido horario y con una llave de torsión (no incluida) para asegurar que el tornillo esté bien apretado. El torque recomendado para el tornillo de la cuchilla es 24-27 lb-ft (33-37 Nm).

*NOTA: asegúrese de cambiar las partes en el mismo orden en el que se retiraron. Cuando coloque la cuchilla, verifique que los extremos curvos apunten a la plataforma de la podadora y no a la tierra.*



**Fig. 12**

# MANTENIMIENTO

---

## LIMPIEZA DE LA PODADORA

---

### **▲ A D V E R T E N C I A**

Para reducir el riesgo de descarga eléctrica, no exponga la podadora al agua. Se debe limpiar el lado inferior de la plataforma de la podadora después de cada uso, ya que se acumulan recortes de césped, hojas, suciedad y otros desechos, y producen óxido y corrosión.

---

Retire toda acumulación de césped y hojas en y alrededor de la cubierta del motor (no use agua). Limpie la podadora con un paño seco de vez en cuando. Si se acumulan desechos en el lado inferior de la unidad mientras la está usando, detenga el motor desconéctelo del suministro de electricidad. Inclíne la podadora hacia adelante o hacia un lado y raspe el lado inferior hasta limpiarlo con una herramienta apropiada.

### **ALMACENAJE DEL CORTACÉSPED**

Debe seguir los pasos a continuación antes de guardar la podadora de césped.

- Limpie la podadora según las instrucciones anteriores.
- Inspeccione y cambie o afile la cuchilla de ser necesario. Consulte la sección de mantenimiento.
- Lubricar la podadora. Almacene la podadora en un área seca y limpia. No la almacene cerca de materiales corrosivos, como fertilizantes y cloruro sódico.
- Guarde la podadora en un lugar fresco y seco bajo techo, fuera del alcance de los niños. No la cubra con una lámina de plástico sólido, ya que el plástico atrae humedad alrededor de la podadora y produce corrosión.
- Saque la batería y almacénela en un lugar fresco y seco.
- Quite la llave y guárdela en un lugar seguro fuera del alcance de los niños. Para almacenarla no es necesario quitar la batería.

### **▲ A D V E R T E N C I A**

Esta batería debe cargarse cada 3 meses cuando está guardada para mantener su capacidad al máximo.

---

- Cuando repare la podadora, utilice únicamente piezas de repuestos disponibles del fabricante. Para obtener piezas de repuesto, llame a la línea de ayuda gratuita al 1-800-317- 7833. Si se utilizan piezas que no cumplen con las especificaciones del equipo original, es posible que el rendimiento

# MANTENIMIENTO

---

- sea inadecuado y se vea comprometida la seguridad.
- Antes de limpiar, reparar o inspeccionar la podadora, verifique que la cuchilla y todas las piezas con movimiento se hayan detenido por completo, y retire la llave. A fin de evitar arranques accidentales, retire la llave cuando la podadora no está siendo usada. Retire la batería cuando realice ajustes o cuando cualquiera de las cuatro ruedas tiene que levantarse del piso.
- Siga las instrucciones de lubricación y cambio de accesorios.
- Mantenga las manijas secas, limpias y sin aceite ni grasa.
- Para reducir el riesgo de incendio, mantenga el motor libre de acumulaciones de césped, hojas y desechos.
- A menudo verifique que pernos de montaje del motor y la cuchilla estén bien ajustados. Inspeccione visualmente si la cuchilla está dañada (es decir, si está doblada, agrietada o desgastada).
- Mantenga la podadora con cuidado para el mejor y más seguro funcionamiento. Mantenga la cuchilla afilada y limpia. Las cuchillas están afiladas y pueden cortar. Envuelva las cuchillas o use guantes. Realice las reparaciones con extremo cuidado.
- Mantenga tuercas, pernos y tornillos ajustados para asegurarse de que el equipo se encuentre en una condición de trabajo segura.
- No manipule los dispositivos de seguridad. Verifique su correcto funcionamiento regularmente.
- Si choca un objeto extraño, detenga el motor y cambie el pasador de seguridad. Inspeccione minuciosamente si la podadora se dañó. Repare los daños antes de usar la podadora.
- Los componentes de la podadora pueden desgastarse y dañarse, y esto a su vez puede exponer las piezas en movimiento y permitir que se arrojen objetos. Como una precaución de seguridad, revise frecuentemente los componentes y cambie aquellos que muestren signos de desgaste o daño.
- Cuando no esté en uso, guarde la podadora en un lugar seco bajo techo y fuera del alcance de los niños.

---

## **▲ A D V E R T E N C I A**

Al dar servicio o transportar la podadora quite siempre la batería.

---

# MANTENIMIENTO

## FUNCIÓN DE ALMACENAMIENTO VERTICAL (Consulte la figura 13)

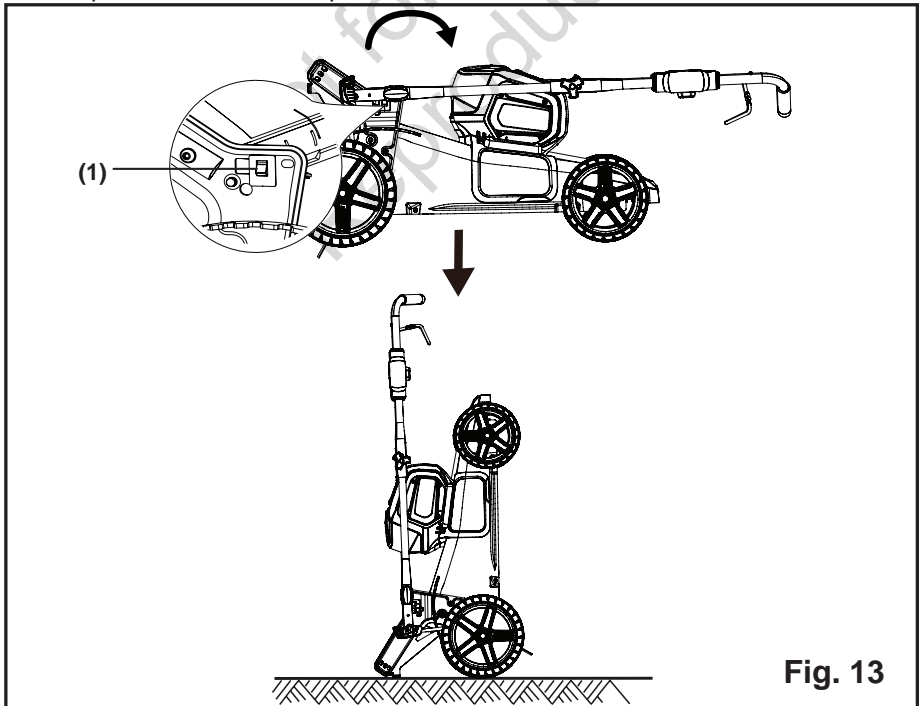
- Retire la batería del cortacésped. Retire la bolsa de colector de césped.
- Gire las perillas del mango a la posición de desbloqueo.
- Baje el conjunto del mango y gire las manillas del mango a la posición de bloqueo.
- Levante el cortacésped por la parte delantera a la posición vertical.

### **⚠ A D V E R T E N C I A**

Siempre retire la batería el cortacésped antes de colocar la unidad en la posición de almacenamiento vertical.

### INTERRUPTOR DE ALMACENAJE:

Cuando se gira completamente la manija a la posición de almacenaje, la podadora está equipada con un interruptor secundario (1) que deshabilitará la podadora para que no se encienda en la posición de almacenaje. El interruptor secundario (1) no reemplaza la necesidad de retirar la llave de seguridad y la batería para evitar un arranque accidental o el uso no autorizado.





# ELIMINACIÓN DE LA BATERÍA QUE NO DAÑA EL MEDIO AMBIENTE

---

Las baterías que se utilizan en el paquete de baterías de esta podadora contienen los siguientes materiales tóxicos y corrosivos: ION DE LITIO.



---

## **⚠ A D V E R T E N C I A**

Se debe desechar los materiales tóxicos de la forma especificada para evitar contaminar el medio ambiente. Antes de desechar los paquetes de baterías de ión de litio dañados o desgastados, póngase en contacto con su agencia local para eliminación de desechos para obtener información e instrucciones específicas. Lleve las baterías a un centro local para reciclaje o eliminación, certificado para eliminación. Si el paquete de baterías se raja o se quiebra, ya sea que tenga fugas o no, no lo vuelva a cargar y no lo use. Deséchelo y reemplácelo con un paquete de baterías nuevo. ¡NO INTENTE REPARARLA!

---

Obedezca las siguientes instrucciones para evitar lesiones y riesgos de incendio, explosión o choques eléctricos y para evitar daños al medio ambiente:

- Para evitar lesiones y riesgo de incendio, explosión y descarga eléctrica, así como daños al medio ambiente: Cubra las terminales de la batería con cinta adhesiva para trabajo pesado.
- NO intente retirar ni destruir ninguno de los componentes del paquete de batería.
- NO intente abrir el paquete de batería.
- Si se produce una fuga, los electrolitos liberados son corrosivos y tóxicos. NO introduzca el líquido en los ojos, no lo coloque en la cara ni lo trague.
- NO coloque las baterías en la basura común de su casa.
- NO las incinere.
- NO las coloque en lugares en los que formarán parte de cualquier basural o flujo municipal de residuos sólidos.
- Colóquelas en un centro de reciclaje o eliminación certificado.

# SOLUCIÓN DE PROBLEMAS

PROBLEMA	CAUSA POSIBLE	SOLUCIÓN
La podadora no arranca.	La batería no tiene carga.	Cargue la batería.
	El interruptor de control está dañado.	Sustituya el interruptor (póngase en contacto con un centro de servicio autorizado).
	Pasto pegado al lado de la hoja.	Quite batería. Verifique bajo plataforma para asegurar que césped no sea atascado luego a la hoja.
	La batería no es conectada al motor.	Revise la conexión entre el conector del motor y la batería. Asegúrese de que la batería se coloca en su lugar haciendo clic.
	La batería puede requerir servicio o reemplazo.	Póngase en contacto con un centro de servicio autorizado o sustituya la batería.
La podadora corta el césped de forma despareja.	El césped es escabroso o desparejo.	Revise el área a podar.
	La altura de corte no se ajustó correctamente.	Mueva las ruedas a una configuración más alta.
La podadora no trituramulch correctamente.	Hay recortes de césped húmedo pegados en el lado inferior de la plataforma.	Espere a que el césped se seque antes de podar.
	El tapón de la función para cubrimiento con hojarasca no está en su lugar.	Instalación de la clavija para compuesto orgánico.
La podadora to es pesada para empujar.	La grama está muy larga o la altura de corte está muy baja.	Aumente la altura de corte.
	La parte trasera de la carcasa de la podadora y la cuchilla se traban debido a que la grama es muy densa.	Vacíe la bolsa para recolección de grama.
La podadora produce ruido and y vibración excesivos.	El eje del motor está doblado.	Detenga el motor y compruebe si hay daños.
	La cuchilla no está equilibrada.	Repárelos antes volver a arrancar. Si la vibración continúa, póngase en contacto con un centro de servicio autorizado.

# GARANTÍA LIMITADA

---

Briggs & Stratton se compromete a que, durante el período de garantía especificado a continuación, reparará o sustituirá, de manera gratuita, cualquier pieza con defectos de material o fabricación, o de ambos. El comprador deberá correr con los gastos de transporte del producto que envíe para reparación o reemplazo al amparo de esta garantía. Esta garantía tiene vigencia y está sujeta a las condiciones que se establecen más adelante. Para el servicio de garantía, busque el distribuidor de servicio autorizado más cercano en el mapa localizador de distribuidores en [www.SNAPPER.com](http://www.SNAPPER.com). El comprador debe ponerse en contacto con el distribuidor autorizado y poner el producto a disposición del mismo para que lo inspeccione y lo pruebe.

**No existe otra garantía expresa. Las garantías implícitas, inclusive aquellas de comerciabilidad y de idoneidad para un propósito en particular, se limitan al período de garantía expresado abajo, o hasta los límites permitidos por la ley. La responsabilidad por daños fortuitos o indirectos está excluida en tanto lo permita la ley.** Algunos países o estados no permiten limitar la duración de una garantía implícita ni excluir o limitar los daños secundarios y derivados. Por tanto, es posible que las limitaciones y exclusiones mencionadas no sean aplicables en su caso. Esta garantía le otorga derechos legales específicos, y también podría tener otros que varían según el estado o el país.\*\*

## PERÍODO DE GARANTÍA

	Uso particular	Uso comercial
Equipo	36 meses	Ninguno
Cargador de batería y la batería	24 meses	Ninguno

\*\* En Australia, nuestros productos están cubiertos por garantías ineludibles de acuerdo con la legislación sobre consumo de este país. Tiene derecho a un recambio o devolución en caso de avería grave y a una compensación por las posibles pérdidas o daños razonables previsibles. Asimismo, si la vería no es grave, tiene derecho a que se reparen o reemplacen los productos si no tienen una calidad aceptable. Para servicio de garantía, localice al distribuidor de servicio autorizado más cercano con nuestro mapa en [BRIGGSandSTRATTON.COM](http://BRIGGSandSTRATTON.COM), llame al 1300 274 447, o bien, envíe un correo electrónico a [salesenquires@briggsandstratton.com.au](mailto:salesenquires@briggsandstratton.com.au), o escriba a Briggs & Stratton Australia Pty Ltd, 1 Moorebank Avenue, NSW, Australia, 2170.

El período de garantía comienza en la fecha de compra por el primer consumidor o usuario comercial final. «Uso particular» significa uso doméstico residencial personal por un consumidor minorista. «Uso comercial» significa

# GARANTÍA LIMITADA

---

los demás usos, lo que incluye el uso para propósitos comerciales, generar ingresos o alquiler. Una vez que el producto se haya usado para fines comerciales, de ahí en adelante se considerará uso comercial a efectos de esta garantía.

A fin de garantizar una pronta y completa cobertura de la garantía, registre su producto en el sitio web que se muestra arriba o en [www.onlineproductregistration.com](http://www.onlineproductregistration.com).

Guarde el recibo comprobante de compra. Si no se proporciona una prueba de la fecha de compra inicial en el momento de solicitar servicio de garantía, se utilizará la fecha de fabricación del producto para determinar el período de garantía. No es necesario el registro del producto para obtener el servicio de garantía de los productos Briggs & Stratton.

## ACERCA DE LA GARANTÍA

El servicio de garantía solo está disponible a través de los distribuidores de servicio autorizados de Snapper. La mayor parte de las reparaciones bajo garantía se atienden de manera rutinaria, pero algunas veces las solicitudes de reparaciones bajo garantía podrían no ser apropiadas. Esta garantía SÓLO cubre defectos en materiales y mano de obra. No cubre los daños ocasionados por un uso no adecuado o un mal uso, un mantenimiento o unas reparaciones inadecuadas ni el desgaste y la rotura propios del uso.

Uso no adecuado y mal uso: el uso correcto y para el que se ha diseñado este equipo se describe en el manual del usuario. Si el producto no se usa de la manera que se describe en el manual del usuario o si el producto se usa después de que haya resultado dañado, quedará anulada la garantía. La garantía queda anulada si se ha borrado el número de serie del producto o el producto ha sido modificado de alguna manera, o si el producto presenta indicios de haber sido usado incorrectamente, por ejemplo, daños producidos por un impacto o daños producidos por corrosión química/agua.

Mantenimiento o reparaciones inadecuadas: el producto debe someterse a labores de mantenimiento de acuerdo con los procedimientos y plazos establecidos en el manual del usuario, y para el mantenimiento y las reparaciones se deben utilizar piezas Briggs & Stratton originales o equivalentes. La garantía no cubre los daños ocasionados por la falta de mantenimiento o el uso de piezas no originales.

## GARANTÍA LIMITADA

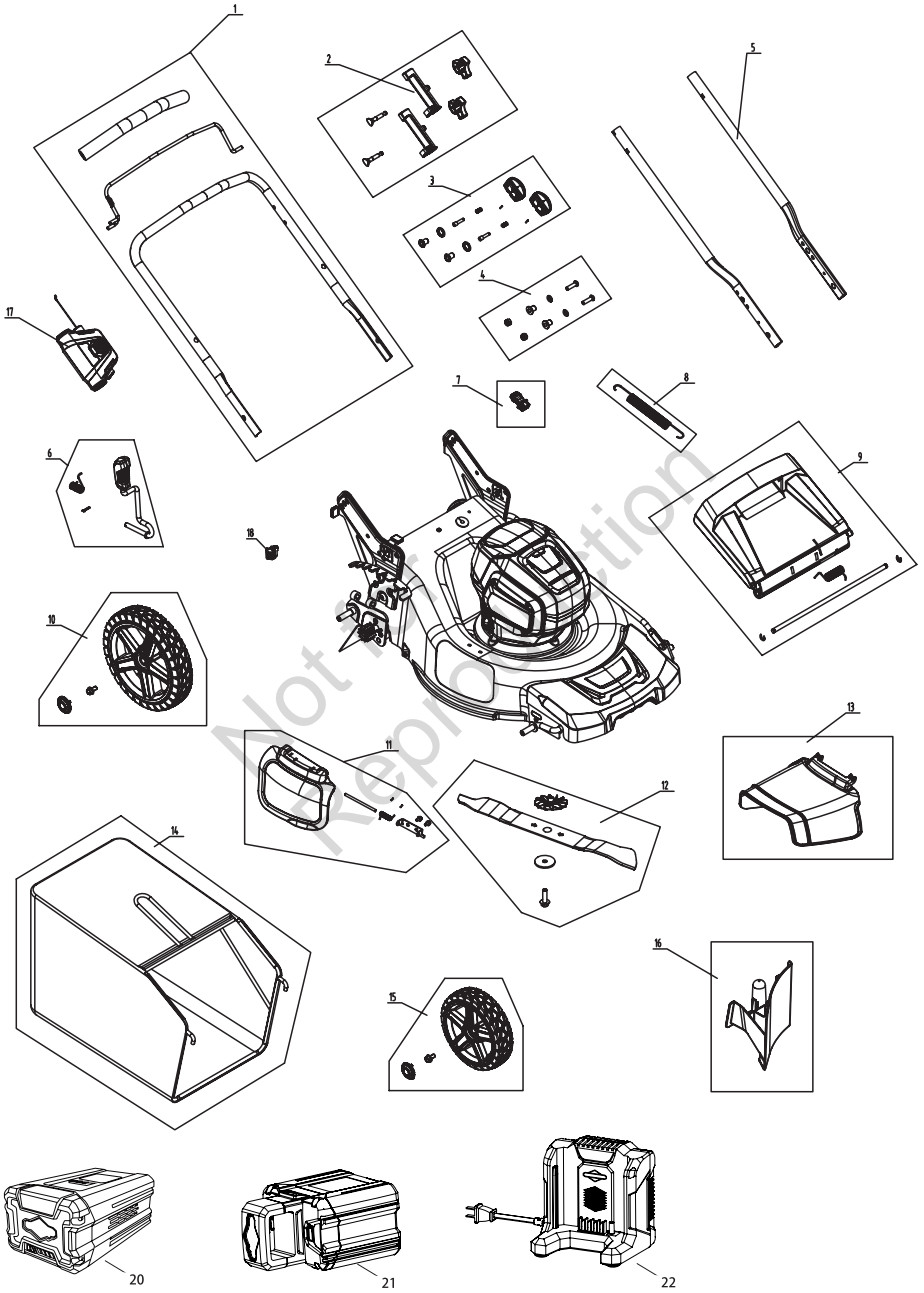
---

Desgaste normal: al igual que otros dispositivos mecánicos, el producto está sujeto a desgaste incluso si se realiza un mantenimiento correcto. Esta garantía no cubrirá la reparación cuando el uso normal haya agotado la vida útil de una pieza o del aparato. Los accesorios y elementos de mantenimiento como filtros, correas, hojas cortantes y pastillas de freno (excepto las pastillas de freno de los motores) no están cubiertos por la garantía por sus propias características, a no ser que la causa sea un defecto del material o de fabricación.

Otras exclusiones: esta garantía excluye cualquier daño provocado por accidente, uso incorrecto, modificaciones, alteraciones, mantenimiento incorrecto, congelación o deterioro producido por productos químicos. También excluye cualquier complemento o accesorio que no se incluyera en el paquete original del producto. Esta garantía no incluye equipos o motores usados, reacondicionados, de segunda mano o de demostración. Esta garantía excluye los fallos debidos a hechos fortuitos y a otros acontecimientos de fuerza mayor que escapan al control del fabricante.

Not for  
Reproduction

# VISTA DESARROLLADA



# LISTA DE PIEZAS

ELEMEN- TO N°	PIEZA N°	DESCRIPCIÓN	QTD
1	84001927	CONJUNTO DEL MANILLAR SUPERIOR	1
2	84001954	TORNILLERÍA, Montaje	1
3	84001929	CONJUNTO DEL PIVOTE, Manija inferior	1
4	84001930	KIT DE TORNILLERÍA, Manija inferior	1
5	84001931	CONJUNTO DEL MANILLAR INFERIOR	2
6	84001956	AJUSTE DE LA ALTURA CONJUNTO	1
7	596798	LLAVE, Seguridad	1
8	84002267	RESORTE, Tensión	1
9	84001937	CUBIERTA TRASERA MONTAJE	1
10	84001928	CONJUNTO DE LA RUEDA POSTERIOR, 10" (25,4 CM)	2
11	84001938	CONJUNTO DE LA CUBIERTA DE DESCARGA LATERAL	1
12	84001939	CONJUNTO DE LA CUCHILLA DE LA CORTADORA DE CÉSPED 20" (50,8 CM)	1
13	84001940	DEFLECTOR, Descarga lateral	1
14	84001942	CONJUNTO DEL COLECTOR DE CÉSPED	1
15	84001943	CONJUNTO DE LA RUEDA DELANTERA, 8" (20,32 cm)	2
16	84001944	TAPÓN, Acolchado	1
17	84001945	CONJUNTO DEL PANEL DE CONTROL	1
18	84001946	CONJUNTO DEL INTERRUPTOR DE SEGURIDAD	1
19	-----	CONJUNTO DE LA PLATAFORMA DE LA CORTADORA DE CÉSPED	1
20	1697088	BATERÍA, 48v 2.0	1
21	1697090	BATERÍA, 48v 5.0	1
22	1697092	CARGADOR, 48v	1

Not for  
Reproduction



Copyright © Briggs & Stratton Corporation  
Milwaukee, WI, 53201-0702 All rights reserved.

LÍNEA DE AYUDA GRATUITA: 1-800-317-7833