



WASHERS

SAFETY INSTRUCTIONS2

OPERATING INSTRUCTIONS

Controls 4

Loading9

Features.....10

CARE AND CLEANING 11

INSTALLATION INSTRUCTIONS12

TROUBLESHOOTING TIPS17

CONSUMER SUPPORT

Warranty 20

Consumer Support..... 21

OWNER'S MANUAL & INSTALLATION INSTRUCTIONS

GTW680

ENGLISH/FRANÇAIS/ESPAÑOL

Write the model and serial numbers here:

Model # _____

Serial # _____

You can find them under the lid of the washer.



IMPORTANT SAFETY INFORMATION. READ ALL INSTRUCTIONS BEFORE USING.

IMPORTANT SAFETY INSTRUCTIONS

⚠ WARNING To reduce the risk of death, fire, explosion, electric shock, or injury to persons when using your appliance, follow basic precautions, including the following:

- Read all instructions before using the appliance.
- **DO NOT** wash or dry articles that have been previously cleaned in, washed in, soaked in or spotted with gasoline, dry-cleaning solvents, or other flammable or explosive substances, as they give off vapors that could ignite or explode.
- **DO NOT** add gasoline, dry-cleaning solvents, or other flammable or explosive substances to the wash water. These substances give off vapors that could ignite or explode.
- Under certain conditions, hydrogen gas may be produced in a hot-water system that has not been used for 2 weeks or more. **HYDROGEN GAS IS EXPLOSIVE.** If the hot water system has not been used for such a period, before using a washing machine, turn on all hot-water faucets and let the water flow from each for several minutes. This will release any accumulated hydrogen gas. As the gas is flammable, **DO NOT** smoke or use an open flame during this time.
- **DO NOT** allow children to play on or in this appliance. Close supervision of children is necessary when this appliance is used near children. Before the washer is removed from service or discarded, remove the door or lid. Failure to follow these instructions may result in death or injury to persons.
- **DO NOT** reach into the appliance if the tub or agitator is moving to prevent accidental entanglement.
- **DO NOT** install or store this appliance where it will be exposed to the weather.
- **DO NOT** tamper with controls, repair or replace any part of this appliance or attempt any servicing unless specifically recommended in the user maintenance instructions or in published user repair instructions that you understand and have the skills to carry out.
- **DO NOT** operate this appliance if it is damaged, malfunctioning, partially disassembled, or has missing or broken parts including a damaged cord or plug.
- Unplug the appliance or turn off the circuit breaker before servicing. Pressing the **Power** button **DOES NOT** disconnect power.
- See "ELECTRICAL REQUIREMENTS" located in the Installation Instructions for grounding instructions.


SAVE THESE INSTRUCTIONS

PROPER INSTALLATION



This washer must be properly installed and located in accordance with the Installation Instructions before it is used.

- Ensure that the hot water hose is connected to the “H” valve and the cold water hose is connected to the “C” valve.
- Install or store where it will not be exposed to temperatures below freezing or exposed to the weather, which could cause permanent damage and invalidate the warranty.
- Properly ground washer to conform with all governing codes and ordinances. Follow details in Installation Instructions.
- Optional drain hose extension recommended for discharging heights from 60” - 96”.
- GE Appliances strongly recommends the use of factory specified parts. A list of factory hoses available for purchase are listed. These hoses are manufactured and tested to meet GE Appliances specifications.
- GE Appliances strongly recommends the use of new water supply hoses. Hoses degrade over time and need to be replaced every 5 years to reduce the risk of hose failures and water damage.

⚠ WARNING  - **Electrical Shock Hazard**

Plug into a grounded 3 prong outlet.
DO NOT remove ground prong.
DO NOT use an adapter.
DO NOT use an extension cord.
 Failure to follow these instructions can result in death, fire or electrical shock.

- Ensure washer is properly leveled and washer legs are adjusted such that unit is stable.

Parts and Accessories

Order on-line at GEApplianceparts.com today, 24 hours a day or by phone at 800.626.2002 during normal business hours. In Canada, visit your local GE Appliances parts distributor or call 800.661.1616.

<i>Part Number</i>	<i>Accessory</i>
PM14X10002	4 ft rubber water supply hoses
Or	
PM14X10005	4 ft braided water supply hoses
WH49X301	Drain hose extension
PM7X1	Washer Floor Tray

START-UP SEQUENCE



- Any time the washer is being started or restarts after the washer lid has been opened and closed, the washer will turn on the cold water valve for two short periods followed by a 10 second pause before continuing.
- If the lid is opened during this period, the washer will pause. You will have to push the **Start** button again to restart the cycle.

WHEN NOT IN USE



- Turn off water faucets to minimize leakage if a break or rupture should occur. Check the condition of the fill hoses; GE Appliances recommends changing the hoses every 5 years.

SAVE THESE INSTRUCTIONS

Operating instructions.

WARNING To reduce the risk of fire, electric shock, or injury to persons, read the IMPORTANT SAFETY INSTRUCTIONS before operating this appliance.

Throughout this manual, features and appearance may vary from your model.

Step 1



- Add fabric softener to the fabric softener dispenser; see page 10.
- Add the manufacturer's recommended amount of detergent. GE Appliances recommends the use of High Efficiency detergents such as in your energy efficient washer. Place detergent pods in the bottom of the wash basket before adding clothes.

Step 2



- Loosely add items around Infusor. Overloading may negatively impact wash performance. See page 9 for suggested loading examples.
 - Close lid.
- NOTE:** Washer will not start with lid open.

Step 3

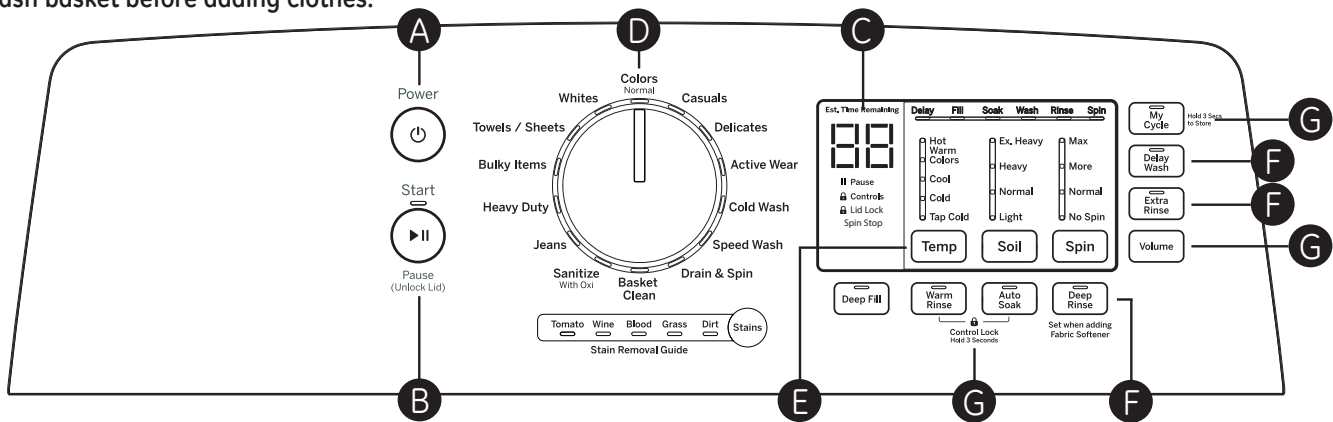


- Select wash cycle.
- Select wash options, including *Deep Rinse* option when using fabric softener.
- Select options.

Step 4



- Press **Start**.



A Power

Press to "wake up" the display. If the display is active, press to put the washer into idle mode. **NOTE:** Pressing **Power** does not disconnect the appliance from the power supply.

B Start/Pause

Press **Start** to begin the cycle. **NOTE:** The lid must be closed for the washer to start the cycle. If the lid is open, "Lid" will scroll across the display. If the lid is closed, the lid will lock, the **Lid Lock** light will illuminate, and "SEnSing" will scroll across the display. Pressing **Pause** will unlock the lid (if locked at that time), pause the cycle and the **Start** indicator light will blink. To continue the cycle, press **Start** again. If machine is paused more than 12 hours, the cycle will be cancelled. If water remains in the machine, select the **Drain & Spin** cycle to drain basket and spin water out of the washer basket.

C Display and Status Lights

Display: The display shows the **approximate** time remaining until the end of the cycle. **NOTE:** The cycle time is affected by how long it takes the washer to fill. This depends on the water pressure in your home. The size of the load being washed also significantly impacts cycle time, with larger loads taking longer.

In addition, this display will, "scroll" the washer status:

- **bALAnCINg** Start of rebalancing cycle to redistribute clothes. Stops after rebalancing is complete.
- **dELAY** When **Delay Wash** is initiated. Replaced with estimated time when cycle starts.
- **End** End of current cycle.
- **FILL** For the first 45 seconds of a fill, the estimated end of cycle time is displayed. For the rest of the fill time, "FILL" is scrolled until the fill completes.
- **H2O SUPPLY** Can not sense water level (valves possibly turned off).
- **Lid** Cycle stopped because lid is open. Close the lid.
- **SEnSing** Sensing load size and type before and during fill (normal).
- **PAUSE** Cycle paused because the **Start/Pause** button was pressed and the washer was set to **Pause**. Press **Start** button again to restart the cycle.

Cycle status lights: Shows whether the washer is in the **Delay, Fill, Soak, Wash, Rinse** or **Spin** portion of the cycle.

If an out-of-balance condition is detected by the washer, the **Spin** light will blink during the remaining portion of the cycle and will stay illuminated for a short time after cycle completion. When this occurs, the washer is taking actions to correct the out-of-balance condition and complete the cycle normally. In some cases, the washer may not be able to balance the load and spin up to full speed. If you notice the load is more wet than normal at the end of the cycle, redistribute the load evenly in the wash basket and run a **Drain & Spin** cycle.

Feature status lights indicate (see sections **F** and **G** for more details):

- II Pause** - Will display when washer is paused between cycles.
- 🔒 Controls** - The washer is locked - will blink once if you press any button or turn the cycle knob.
- 🔒 Lid Lock** - The lid is locked. See the **Control Lock** description.
- Spin Stop** - Indicates wash basket is coasting to a stop following spin. Lid will not unlock until basket has fully come to a stop.

D Wash Cycles-Cycle Selector Knob

The wash cycle controls the type of washing process. The cycle selector knob can be turned in either direction. Turning the knob after starting a cycle will stop the washer and change the cycle/options to the new selection. Press **Start** to begin the new cycle selection. The chart below will help you match the items to be washed with the best wash cycle settings. For optimal performance, select the cycle that most closely matches the items being washed.

Selections and options shown in **bold** are the recommended settings for that cycle.

Some cycles and options may not be available on some models.

Items to Wash	Cycle	Wash Temp	Soil Level	Spin Selection	Options Available	Cycle Details
Cycle for normal, regular, or typical use for washing up to a full load of normally soiled cotton clothing.	Colors	Hot Warm Colors Cool Cold Tap Cold	Ex. Heavy Heavy Normal Light	Max More Normal No Spin	Stain Removal Guide Warm Rinse Auto Soak Deep Rinse Delay Wash Extra Rinse	Cycle for normal, regular, or typical use for washing up to a full load of normally soiled cotton clothing. Choose the Heavy or Extra Heavy soil level selection and Warm or Hot water temperature selection as appropriate for your clothes load for a higher degree of cleaning. Incorporates multi-stage fills and wash periods to provide optimal fabric care.
Casual clothes, lightly soiled office wear.	Casuals	Hot Warm Colors Cool Cold Tap Cold	Ex. Heavy Heavy Normal Light	Max More Normal No Spin	Stain Removal Guide Deep Fill Warm Rinse Auto Soak Deep Rinse Delay Wash Extra Rinse	Wash cycle tailored to care for casual clothes and office wear items.
Lingerie and special care fabrics with light soil.	Delicates	Hot Warm Colors Cool Cold Tap Cold	Ex. Heavy Heavy Normal Light	Max More Normal No Spin	Stain Removal Guide Deep Fill Warm Rinse Auto Soak Deep Rinse Delay Wash Extra Rinse	Utilizes a unique "tri-pulse" extra gentle agitate profile to provide special care to delicate fabrics. It is recommended to place small or ultra delicate items in mesh bags before washing.
Medium to lightly soiled athletic wear items of technical or synthetic fabrics.	Active Wear	Hot Warm Colors Cool Cold Tap Cold	Ex. Heavy Heavy Normal Light	Max More Normal No Spin	Stain Removal Guide Deep Fill Warm Rinse Auto Soak Deep Rinse Delay Wash Extra Rinse	Cycle designed for care of medium to lightly soiled active wear, athletic wear, and technical fabrics. Incorporates a dual stage wash period with soak to effectively treat body soils and odors. Use the Heavy Duty cycle for heavily soiled sports clothing constructed of sturdy fabric.
Dark colored fabrics and mixed loads.	Cold Wash	Hot Warm Colors Cool Cold Tap Cold	Ex. Heavy Heavy Normal Light	Max More Normal No Spin	Stain Removal Guide Deep Fill Auto Soak Deep Rinse Delay Wash Extra Rinse	Cycle combines multiple wash agitation periods with soak periods to provide enhanced cleaning performance and energy efficiency with colder water temperatures.
Small loads of lightly soiled items that are needed in a hurry. Examples include one casual wear outfit or 3 soccer uniforms.	Speed Wash	Hot Warm Colors Cool Cold Tap Cold	Ex. Heavy Heavy Normal Light	Max More Normal No Spin	Stain Removal Guide Deep Fill Warm Rinse Auto Soak Deep Rinse Delay Wash Extra Rinse	Utilizes more intense agitation profile, expedited wash period, and time saving continuous spray rinse to clean small lightly soiled loads in the fastest time possible.
Wet load of items. For items that need only to be rinsed, use this cycle with Deep Rinse option.	Drain & Spin			Max More Normal No Spin	Deep Rinse Extra Rinse	Utilizes a high speed spin to extract water from wet items. For items that need to be rinsed, select the Deep Rinse option when using this cycle.

Operating instructions.

D Wash Cycles-Cycle Selector Knob - Continued

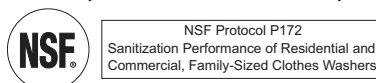
Items to Wash	Cycle	Wash Temp	Soil Level	Spin Selection	Options Available	Cycle Details
Cleaning the basket of residue and odor. No clothes to be washed using this cycle.	Basket Clean	Hot	Ex. Heavy	Normal	Deep Fill Deep Rinse	Recommended use of at least once per month. Never load laundry when using this cycle; laundry may become damaged or contaminated. Cycle incorporates a hot deep wash, intense agitation action, a dispenser purge (on some models), and a deep rinse.
Heavily soiled colorfast items.	Sanitize with Oxi*	Hot	Ex. Heavy	Max More	Warm Rinse Auto Soak Deep Rinse Delay Wash Extra Rinse	Cycle uses an initial lower water fill for super concentrated, high temperature sanitization followed by a heavy wash step. A pump purge and deep rinse is incorporated to remove contaminants. See additional details and certifications below.
Jeans with medium to light soil. For heavily soiled work jeans, use the Heavy Duty Cycle.	Jeans	Hot Warm Colors Cool Cold Tap Cold	Ex. Heavy Heavy Normal Light	Max More Normal No Spin	Stain Removal Guide Deep Fill Warm Rinse Auto Soak Deep Rinse Delay Wash Extra Rinse	Combines higher water levels, a specially designed agitation profile, and multi-step wash and soak periods to care for jeans with medium to light soil. Use the Heavy Duty cycle for heavily soiled work jeans.
Sturdy fabrics with heavy to medium soil.	Heavy Duty	Hot Warm Colors Cool Cold Tap Cold	Ex. Heavy Heavy Normal Light	Max More Normal No Spin	Stain Removal Guide Deep Fill Warm Rinse Auto Soak Deep Rinse Delay Wash Extra Rinse	Incorporates multi-step wash and soak periods combined with extended wash periods to effectively clean heavily to medium soiled sturdy fabrics.
Large coats, bed spreads, mattress covers, sleeping bags, and similar large bulky items.	Bulky Items	Hot Warm Colors Cool Cold Tap Cold	Ex. Heavy Heavy Normal Light	Max More Normal No Spin	Stain Removal Guide Deep Fill Warm Rinse Auto Soak Deep Rinse Delay Wash Extra Rinse	Provides a Deep Fill/max fill wash water level with a specially designed agitation profile to wash bulky items. Also incorporates a Deep Fill rinse to effectively rinse bulky items.
Towels Sheets	Towels / Sheets	Hot Warm Colors Cool Cold Tap Cold	Ex. Heavy Heavy Normal Light	Max More Normal No Spin	Stain Removal Guide Deep Fill Warm Rinse Auto Soak Deep Rinse Delay Wash Extra Rinse	Cycle designed washing towels or sheets, using a higher water level and a soak period to effectively clean these items. It is recommended that towels and sheets be washed separately for best care and washing performance.
Whites and household linens	Whites	Hot Warm Colors Cool Cold Tap Cold	Ex. Heavy Heavy Normal Light	Max More Normal No Spin	Stain Removal Guide Deep Fill Warm Rinse Auto Soak Deep Rinse Delay Wash Extra Rinse	Cycle tailored to clean and brighten your whites.

Sanitize with Oxi

The **Sanitize with Oxi** cycle, when using an Oxi additive along with your detergent, is designed to remove 99.9% of bacteria found in home laundry. Measure the detergent and the Oxi products carefully. Using the amounts appropriate for a large heavily soiled load, follow the detergent and the Oxi product label instructions. The detergent should be added using the dispenser instructions as shown on page 9 of this guide. Place the Oxi product directly in the bottom of the wash basket, before adding the clothes. The washer hot water supply connection must provide a minimum of 120°F to ensure the effectiveness of this cycle.

NOTE: The default **Sanitize With Oxi** cycle water temperature can NOT be changed.

The **Sanitize With Oxi** cycle is certified by NSF International, an independent third party testing and certification organization. The certification verified that the cycle reduced 99.9% of bacteria typically found in residential laundry and that no significant contamination is transferred to subsequent washer loads. Only the **Sanitize With Oxi** cycle has been designed to meet the requirements of NSF Protocol P172 for sanitizing effectiveness.



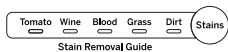
Stain Removal Guide

The **Stain Removal Guide** feature allows you to indicate what stains are on the garments in your load. This feature incorporates a patent pending treatment method. An initial water fill is performed at a temperature tailored to the stain type selected and to an amount which enables a concentrated cleaning step. A stain scrubbing period, followed by an active soak, is conducted to effectively treat the stain. Then additional water is added to the selected temperature and the wash phase is conducted for the cycle selected.

This feature can be applied to most wash cycles as described in the cycle guide.

To use Stain Removal Guide:

1. Select the desired wash cycle.
2. Press the **Stain Removal Guide** button.



Continue to press to select **Tomato** stain, **Wine** stain, **Blood** stain, **Grass** stain or **Dirt** stain. The indicator light will show the selected stain.

To select a different stain, press the **Stain Removal Guide** button until desired stain to be removed is lit.

To turn off **Stain Removal Guide**, press until no indicator lights are illuminated.

NOTE: The Soil and Temperature levels will be changed to match the recommended default setting for each stain type. Turning off **Stain Removal Guide** will return the settings to default.

Stain Removal Guide

Category	Recommended Temperatures Treatment/Wash	Stain	For best results, before placing in washer:
Blood	Cold/Cool	Blood Sweat Body Fluids Urine	Rinse in cold water; pretreat stain with liquid detergent or stain remover product.
Grass	Cold/Warm	Grass Lipstick Chocolate Gravy Mayonnaise BBQ Sauce	Pretreat with liquid detergent or stain remover product. Brush lightly; rinse with cold water.
Dirt	Cool/Warm	Dirt Clay Mud	Allow dirt to dry; remove loose dirt using a brush. Rinse with cool water.
Tomato	Cool/Warm	Sauce Catsup Salsa	Pretreat with liquid detergent or stain remover product; rinse with cool water.
Wine	Cool/Warm	Wine Soda Kool-Aid Tea Coffee Juice Beer	Pretreat with mixture of Oxi product and cool water. Add Oxi product along with detergent in the washer.

- Recommended temperatures are optimal for stain removal performance; adjust temperature selection to suit load being washed.
- Ensure stain is completely removed after wash cycle and before placing in dryer; very tough stains may require a second treatment.

Operating instructions.

E Settings

Individual settings for agitation (**Soil**), water temperature (**Temp**), and spin (**Spin**) can be set from the minimum (lowest in column) to maximum (highest in column). In general, the higher up the column, the more washer energy will be used.

NOTE: Longer **Spin** times typically reduce dryer time/energy usage (i.e. reduces total energy when using both a washer and a dryer).

F Cycle Options

Deep Fill

Select the **Deep Fill** feature for loads where extra water is needed. The **Deep Fill** feature is recommended for special case loads only, not for typical use.

Press the **Deep Fill** button once before starting the cycle to add an incremental amount of water to the wash load. Holding the **Deep Fill** button for 3 seconds will provide the deepest fill level possible; this will increase cycle time due to the additional time it takes to fill the washer.

To cancel the option if desired, press the **Deep Fill** button again.

NOTE: The **Deep Fill** button can also be pressed after the washer has completed filling and is in the wash phase if additional water is desired. To stop the extra fill, press the **Deep Fill** button again and the water will stop.

Warm Rinse

Provides a warm rinse to your wash load. Note that rinsing operations may be different with this operation selected in order to effectively apply the warm rinse water to your load.

Auto Soak

This option begins with a brief agitation, soaks for a specified period of time, then moves through the rest of the cycle automatically. Repeated pressing of the **Soak** button will scroll through 15 minute, 30 minute, 1 hour and 2 hour selections and then return back to 0 soak minutes.

Deep Rinse

Set this option to provide a deep rinse or when using fabric softener. It may change other settings (e.g. **Spin** may go to a higher setting) to maximize performance.

Delay Wash

When the **Delay Wash** button is repeatedly pressed, the delay time is set from 1 (01H) to 9 (09H) hours and back to clear (00H) hours. If you press and hold the **Delay Wash** button for 3 seconds, it will immediately reset.

Extra Rinse

When you use extra detergent or bleach to clean heavily soiled clothes, use the **Extra Rinse** option to better remove additional residues.

NOTE: This option is not allowed for some cycles.

G Additional Options

My Cycle Settings

As the cycle selector knob is turned, the **Temp**, **Soil** and **Spin** settings change to automatic pre-set default settings for each cycle.

If you desire different default settings, select the desired options or changes to the cycle settings, then press and hold the **My Cycle** button for 3 seconds to store them. The **My Cycle** button will light when active. In the future, when you turn the selector knob to that cycle, your settings will be automatically recalled. To restore the factory defaults temporarily (i.e. for this load), press the **My Cycle** button for 1/2 second. The **My Cycle** light will turn off and the factory defaults will load. However, the next time you select this cycle, your **My Cycle** settings will load. If you wish to permanently restore the factory default settings for the cycle; when the **My Cycle** is active (button light on) press and hold the **My Cycle** button for 3 seconds. The factory defaults will load for the selected cycle and the **My Cycle** light will turn off. The default settings will load when this cycle is selected in the future and the **My Cycle** light will remain off. **NOTE:** My Cycle saves the following options: **Temp**, **Soil**, **Spin**, **Extra Rinse**, **Deep Fill**, **Warm Rinse**, **Auto Soak**, **Deep Rinse** and **Stain Removal Guide**.

Volume

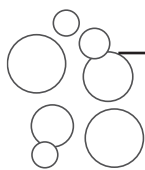
Use the **Volume** button to change the volume of the end of cycle signal and other system tones. Press the button until you reach the desired volume (high, medium, low) or off.

Control Lock

Use the control lock before or during a cycle to prevent any selections from being made.

To lock/unlock the washer controls, press and hold the **Warm Rinse** and **Auto Soak** buttons for 3 seconds. The control lock icon will light up when it is on. **NOTE:** The **Power** button can still be used when the machine is locked.

Always follow fabric manufacturer's care label when laundering.



Proper Use of Detergent

Using too little or too much detergent is a common cause of laundry problems.

Use less detergent if you have soft water, a smaller load or a lightly soiled load.

For spots, apply pre-treatment to items as recommended on the product label. Application should be made in the basket to prevent overspray which may cause the coloring on the lid or graphics to fade.

Place detergent pods in the bottom of the wash basket before adding clothes.

GE Appliances recommends the use of High Efficiency detergents such as  in your energy efficient washer.

HE detergents are formulated to work with low water wash and rinse systems. HE detergents reduce the oversudsing problems commonly associated with regular detergents.

When using high efficiency or concentrated detergents, consult the product label to determine amount required for optimum performance. Excessive detergent will negatively impact wash performance.



Sorting Wash Loads

Sort by color (whites, lights, colors), soil level, fabric type (sturdy cottons, easy care, delicates) and whether the fabric produces lint (terry cloth, chenille) or collects lint (velveteen, corduroy). Wash lint producers such as cotton towels and socks separate from lint collectors including synthetic garments and dress pants.

WARNING - Fire Hazard

DO NOT wash fabrics soiled with flammable liquids or cleaning solvents. No washer can completely remove oil.

DO NOT wash or dry anything that has been soaked in or spotted with any type of oil (including cooking oils).

DO NOT reach into the washer until all moving parts have stopped. Doing so can result in death, explosion, fire or amputation.

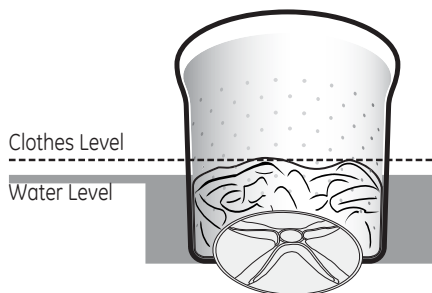


Loading the Washer

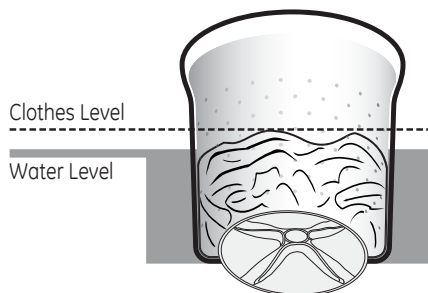
Load dry items loosely in the washer basket. For best results, load items evenly and loosely around the outside of the basket, filling in towards the center on larger loads. To add items after washer has started, press **Start/Pause** if the lid is locked; wait until the **Lid Locked** indicator on the display is no longer illuminated before attempting to open the lid. Lift the lid and submerge additional items around the outside of the basket. Close the lid and press **Start** to resume. Adjust load size selection and/or use **Deep Fill** option if necessary.

- Do not place large items such as sheets, blankets and towels across the infuser (on some models). Load them around the outside of the basket.
- Do not put lawn or sofa cushions into the washer as they are too big to move. Remove outer covers and **ONLY** wash them.

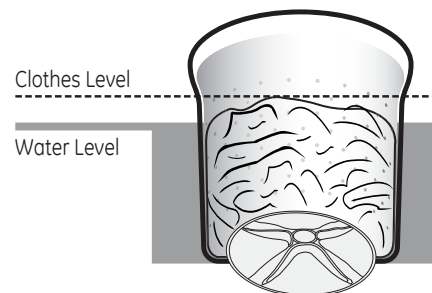
Average Small Load



Average Medium Load



Average Large Load



About washer features.

Automatic Load Sensing

This determines the correct agitate profile, agitate duration and amount of water suited to the size and type of load placed in the washer. The washer will not start the wash cycle or fill with water if the lid is open. When the lid is closed the machine is able to begin filling with water in order to sense the load size.

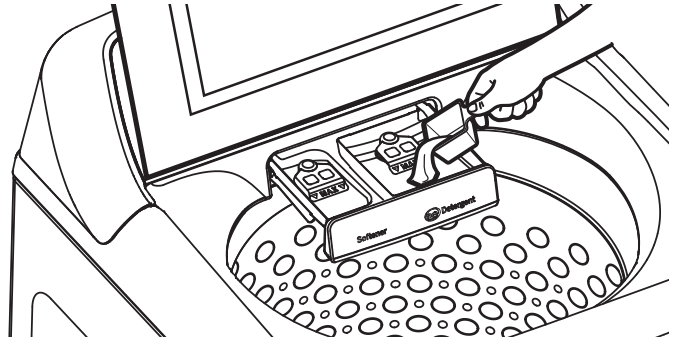
NOTE: Automatic Load Sensing initiates a spin at the beginning of the cycle and will take as much as 3 minutes to complete (significantly shorter for smaller loads); this is normal operation.

NOTE: This is a high efficiency washing machine with Infusor wash action. This system requires less water while providing effective cleaning action. You may notice that the water level is lower than on your previous washer. This is normal for an Infusor-equipped washer.

Detergent Dispenser

Liquid or powdered HE detergent should be added to the **right side** of the dispenser drawer. Follow the detergent manufacturer's recommendations for the correct amount of detergent, based on load size, taking care to add detergent to the **right compartment**. Do not overfill or dilute detergent as this can result in additive being dispensed prematurely in the wash cycle. Your option selections will determine when detergent is automatically dispensed at its optimal time in the wash cycle.

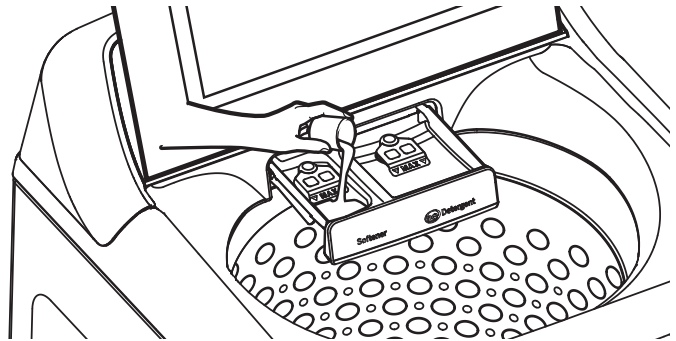
NOTE: Single-dose laundry packets should not be added to the dispenser drawer, as they will not dispense properly. Put packets in bottom of wash basket.



Liquid Fabric Softener Dispenser

Liquid fabric softener should be added to the **left side** of the dispenser drawer. Follow the liquid fabric softener manufacturer's recommendations for the correct amount of softener, based on load size, taking care to add softener to the **left compartment**. Do not overfill or dilute softener as this can result in additive being dispensed prematurely in the wash cycle. Your option selections will determine when liquid fabric softener is automatically dispensed at its optimal time in the rinse cycle.

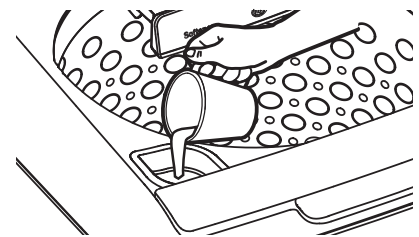
NOTE: Fabric softener crystals should not be added to the dispenser drawer, as they will not dispense properly.



Liquid Bleach

Liquid chlorine bleach should be added through the bleach dispenser in the **front left corner**. Follow bleach manufacturer's recommendations for the correct amount of liquid chlorine bleach based on load size, taking care to not apply or spill it directly on clothing.

NOTE: Do not use liquid chlorine bleach and laundry pretreatments such as an Oxi product in the same wash load.



Pretreatment

Place laundry pretreatments, such as an Oxi product, directly in the bottom of the wash basket before loading clothes.

NOTE: Do not use liquid chlorine bleach and laundry pretreatments such as an Oxi product in the same wash load.

Exterior of the Washer

Immediately wipe off any spills with a damp cloth.

Interior of the Washer

To clean the interior of the washer, select the **Basket Clean** feature on the control panel. This **Basket Clean** cycle should be performed, at a minimum, once per month. This cycle will use more water, in addition to bleach, to control the rate at which soils and detergents may accumulate in your washer.

NOTE: Read the instructions below completely before starting the **Basket Clean** cycle.

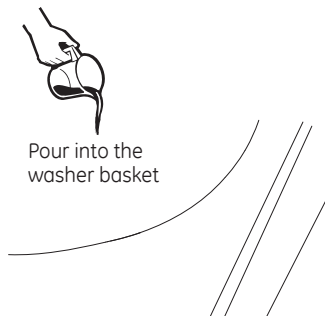
1. Remove any garments or objects from the washer and ensure the washer basket is empty.
2. Open the washer lid and pour one cup or 250 ml of liquid bleach or other washing machine cleaner into the basket.
3. Close the lid and select the **Basket Clean** cycle. Push the **Start** button.

4. When the **Basket Clean** cycle is working, the display will show the estimated cycle time remaining. Do not interrupt the cycle.

Basket Clean may be interrupted by pressing the **Start** button in between cycles. A power outage in the house might also interrupt the cycle. When the power supply is back, the **Basket Clean** cycle resumes where it had stopped. When interrupted, be sure to run a complete **Basket Clean** cycle before using the washer. If the **Power** button is pressed during **Basket Clean**, the cycle will be lost.

IMPORTANT:

- Run **Basket Clean** with 1 Cup (250 ml) of bleach once a month.
- After the completion of a **Basket Clean** cycle, the interior of your washer may have a bleach smell.



Cleaning the Dispenser Drawer

After some period of use, a small amount of detergent or softener residue may be present in the dispenser drawer. The drawer can easily be removed for cleaning. To remove the drawer, pull it out until the drawer stops and then lift up on the front of the drawer. The drawer can then be removed from the dispenser box. Wash the drawer in warm, soapy water using a mild detergent. Rinse drawer with warm water. If siphon caps are removed for cleaning, be sure to push siphon caps fully back into place after cleaning.

The dispenser drawer and siphon caps are not dishwasher safe. The dispenser box is not removable, but it can be wiped clean using a damp cloth if necessary. Do not attempt to remove the dispenser box for cleaning.



Water Supply Hoses

Hoses connecting washer to faucet should be replaced every 5 years.

Moving and Storage

Ask the service technician to remove water from drain pump and hoses. Do not store the washer where it will be exposed to the weather.

Long Vacations

Be sure water supply is shut off at faucets. Drain all water from hoses and water filter pump area if weather will be below freezing.

Consumer Help Indicator

Your washer is equipped with Consumer Help Indicator (CHI). CHI is our way to communicate a simple remedy for some situations that you can perform without the need to call for service. The chart below describes the helpful messages you may notice scrolling on your display when you return to start another load. These messages will provide simple remedies you can quickly perform.

Spin light blinking	If an out-of-balance condition is detected by the washer, the Spin light will blink during the remaining portion of the cycle and will stay illuminated for a short time after cycle completion. When this occurs, the washer is taking actions to correct the out-of-balance condition and complete the cycle normally. In some cases, the washer may not be able to balance the load and spin up to full speed. If you notice the load is more wet than normal at the end of the cycle, redistribute the load evenly in the wash basket and run a Drain & Spin cycle.
"H2O SUPPLY" (Water not entering washer)	Check your house water supply. Did you forget to turn on one or both supply valves after installation or coming back from vacation? As soon as the message starts to scroll, the washer will initiate a 4 minute lock-out period. The washer controls won't respond/change during this time. After the 4 minutes, you can begin your cycle again. If you try to bypass the lock-out period by unplugging the washer, the 4 minute timer will start over again.
"CAnCELEd"	"CAnCELEd" may scroll on the display if the machine was paused for longer than 12 hours or if the machine has stopped itself before the cycle completed due to certain errors. As soon as the message starts to scroll, the washer will initiate a 4 minute lock-out period. The washer controls won't respond/change during this time. After the 4 minute period, you can begin your cycle again. If you try to bypass the lock-out period by unplugging the washer, the 4 minute timer will start over again. If the problem persists, call GE Appliances at 800.GE.CARES (800.432.2737) for service.
"Lid"	"Lid" will be shown on display if 3 cycles have been started without opening the lid. The washer will not start another cycle until the lid is opened. Try opening, then closing the lid and starting a new cycle. If the problem persists, call GE Appliances at 800.GE.CARES (800.432.2737) for service.

Installation Instructions

Washer




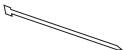

If you have any questions, call GE Appliances at 800.GE.CARES (800.432.2737) or visit our Website at: GEAppliances.com
In Canada, call 1.800.561.3344 or visit www.GEAppliances.ca

BEFORE YOU BEGIN

Read these instructions completely and carefully.

- **IMPORTANT** – Save these instructions for local inspector's use.
- **IMPORTANT** – Observe all governing codes and ordinances.
- **Note to Installer** – Be sure to leave these instructions with the Consumer.
- **Note to Consumer** – Keep these instructions for future reference.
- **Skill level** – Installation of this appliance requires basic mechanical and electrical skills.
- **Completion time** – 1-3 hours
- Proper installation is the responsibility of the installer.
- Product failure due to improper installation is not covered under the Warranty.

PARTS SUPPLIED

-  Owner's Reference Guide
-  Drain Hose
-  Drain Hose Clip
-  Cable Tie
-  Clamp

TOOLS REQUIRED FOR WASHER INSTALLATION

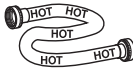
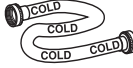
- Pliers



- Level



PARTS REQUIRED (Sold separately)

-  Water Hoses (2)
-  Rubber Washers (2) and Strainer Screens (2)
- Drain Hose Extension (For discharge heights from 60" - 96")

GE Appliances Parts and Accessories

Order on-line at GEApplianceparts.com today, 24 hours a day or by phone at 800.626.2002 during normal business hours.

Part Number	Accessory
PM14X10002	4 ft Rubber Water Supply Hoses
Or	
PM14X10005	4 ft Braided Metal Water Supply Hoses
WH1X2267	Rubber Washer (1) and Screen (1)
WH49X301	Drain Hose Extension (For discharge heights from 60" - 96")

NOTE: We strongly recommend the use of new water supply hoses. Hoses degrade over time and need to be replaced every 5 years to reduce the risk of hose failures and water damage.

Installation Instructions

LOCATION OF YOUR WASHER

DO NOT Install the Washer:

1. In an area exposed to dripping water or outside weather conditions. The ambient temperature should never be below 60°F (15.6°C) for proper washer operation.
2. In an area where it will come in contact with curtains or drapes.
3. On carpet. The floor **MUST** be a hard surface with a maximum slope of 1/2" per foot (1.27 cm per 30 cm). To make sure the washer does not vibrate or move, you may have to reinforce the floor.

NOTE: If floor is in poor condition, use 3/4" impregnated plywood sheet solidly attached to existing floor covering.

IMPORTANT: Minimum Installation Clearances - Alcove or Closet

- If your washer is approved for installation in an alcove or closet, there will be a label on the back of the machine describing requirements.
- Minimum clearance between washer and adjacent walls or other surfaces: 0" either side, 2" front, 3" rear. Vertical space from floor to overhead shelving, cabinets, ceiling, etc. = 60".
- Closet doors must be louvered or otherwise ventilated and have at least 60 square inches of open area. If the closet contains both a washer and a dryer, doors must contain a minimum of 120 square inches of open area.

NOTE: The clearances stated on this label are minimums. Consideration must be given to providing adequate clearances for installing and servicing.

WATER SUPPLY REQUIREMENTS

WATER PRESSURE - Must be 20 psi minimum to 120 psi maximum.

WATER TEMPERATURE - Household water heater should be set to deliver water at 120° to 150°F (50° to 66°C) TO THE WASHER when hot wash is selected.

SHUTOFF VALVES - Both hot and cold shutoff valves (faucets) should be supplied.

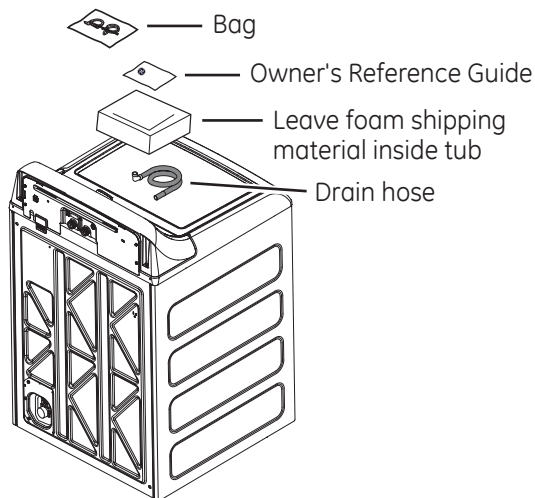
DRAIN - Water should be drained into standpipe. Discharge height **MUST NOT BE LESS THAN 30 INCHES**, and no more than 8 feet above the base of the washer. Standpipe must be 1-1/2 inches minimum inside diameter and must be open to atmosphere.

1 UNPACKING THE WASHER

After the machine is in the home, remove outside packing material/carton from washer.

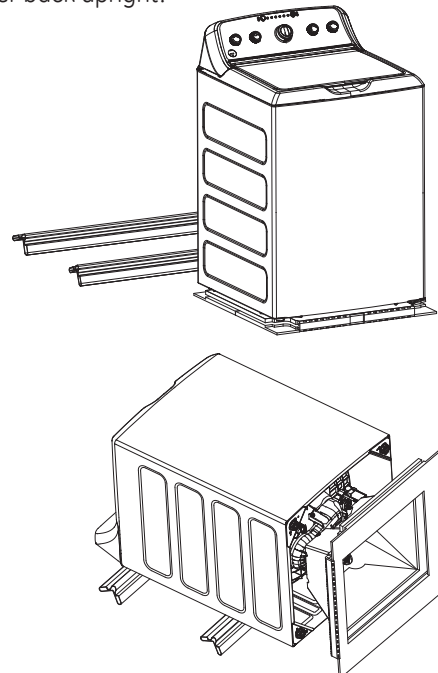
Remove bag (containing clamp, cable tie and drain hose clip), drain hose and Owner's Reference Guide from tub.

NOTE: Leave foam shipping material inside tub opening to hold tub in place during the rest of installation.



2 REMOVE THE BASE

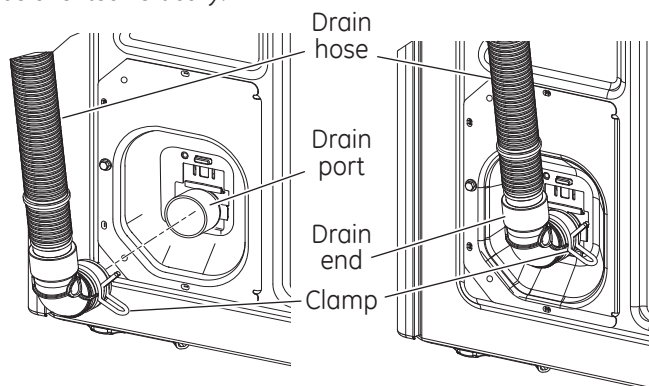
Remove base from unit by placing foot on side of base and tipping unit back on corner post. Remove base and bring the washer back upright.



Installation Instructions

3 CONNECT DRAIN HOSE TO WASHER

Connect drain hose to drain port on back of washer. Open clamp with pliers and slide onto hose end. Holding clamp open, push hose end onto drain port until fully seated. Release clamp between locating ribs on hose end. Outlet of hose end should be oriented vertically.



5 CONNECT WATER HOSES TO OUTLET VALVES

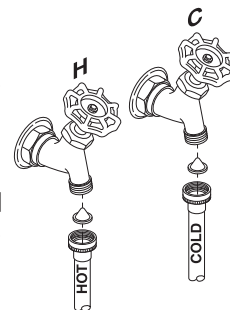
Determine which is HOT water line before attaching water hoses to faucets. Traditionally, HOT faucet is on left.

(If screen washers are not installed) With protruding part of screen toward you, install strainer screen/rubber washer into each of the free ends of two water hoses.

Connect hot water hose to hot water outlet valve of your home. Hand tighten and use pliers to tighten hoses between 1/4 and 1/2 turn beyond hand-tight. Open hot water valve.

Connect cold water hose to cold water outlet valve of your home. Hand tighten and use pliers to tighten hoses between 1/4 and 1/2 turn beyond hand-tight. Open cold water valve.

Check for leaks and drips at the hose couplings. Tighten as necessary.

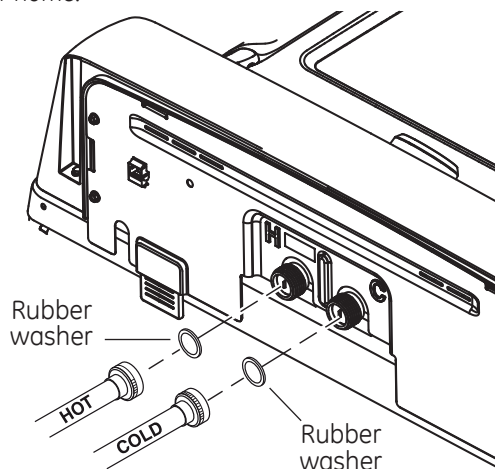


4 CONNECT WATER HOSES TO WASHER

Disconnect electrical cord before installing water hoses. If not installed, install rubber washer in one end of hot water hose. Thread hot water hose onto connection labeled **H** at top rear of washer. Hand tighten and use pliers to tighten hoses between 1/8 and 1/4 turn beyond hand-tight.

If not installed, install rubber washer in one end of cold water hose. Thread cold water hose onto connection labeled **C** at top rear of washer. Hand tighten and use pliers to tighten hoses between 1/8 and 1/4 turn beyond hand-tight.

Move washer as close to final location as possible, leaving room for you to make water, drain, and electrical connections to your home.

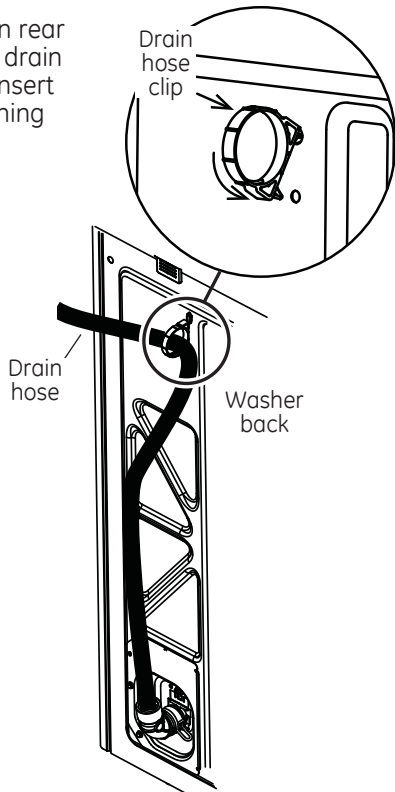


Installation Instructions

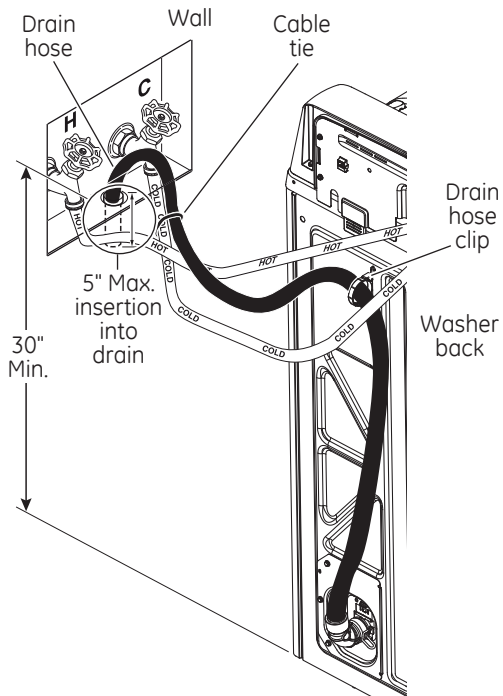
6 CONNECT TO DRAIN

Install drain hose clip on rear panel of washer. Route drain hose through clip and insert free end into drain opening of your home.

NOTE: If longer drain hose is required, order drain hose extension kit, GE Appliances part number WH49X301. Connect additional drain hose (contained in kit) to original hose with hose clamp (contained in kit).



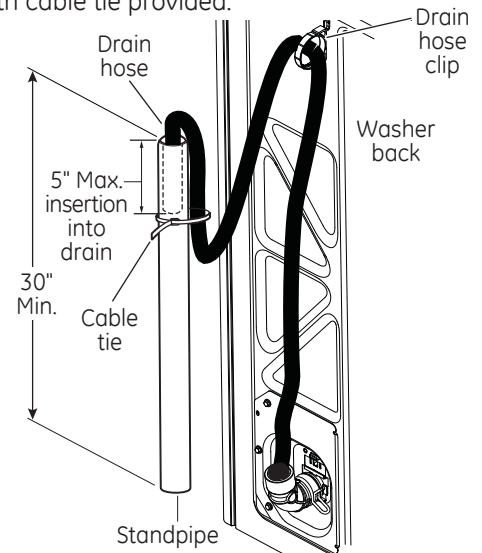
If water valves and drain are built into wall, fasten drain hose to one of the water hoses with cable tie provided.



NOTE: Placing the drain hose too far down the drain pipe can cause a siphoning action. No more than 5" of hose should be in the drain pipe. There must be an air gap around the drain hose. A snug fit can also cause a siphoning action.

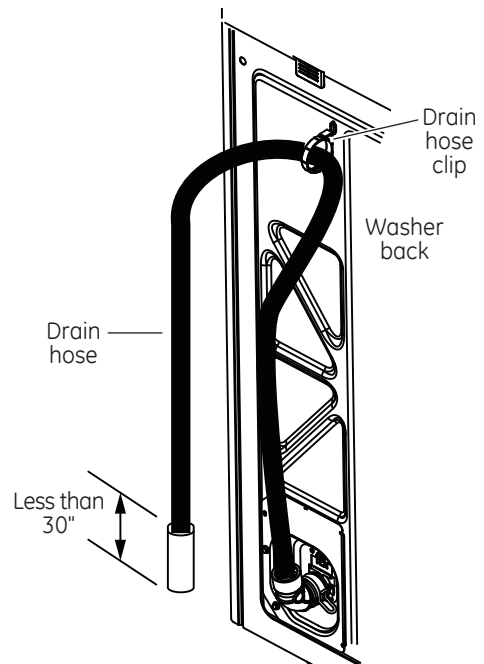
6 CONNECT TO DRAIN (Continued)

If your drain is a standpipe, fasten drain hose to standpipe with cable tie provided.



NOTE: Placing the drain hose too far down the drain pipe can cause a siphoning action. No more than 5" of hose should be in the drain pipe. There must be an air gap around the drain hose. A snug fit can also cause a siphoning action.

If drain discharge height does not meet 30" minimum height requirement, end of drain hose must be secured in drain opening of home by installer and have an air gap around hose to prevent siphoning.



NOTE: Placing the drain hose too far down the drain pipe can cause a siphoning action. No more than 5" of hose should be in the drain pipe. There must be an air gap around the drain hose. A snug fit can also cause a siphoning action.

Installation Instructions

ELECTRICAL REQUIREMENTS

⚠ WARNING - Electrical Shock Hazard

Plug into a grounded 3-prong outlet.

DO NOT remove ground prong.

DO NOT use an adapter.

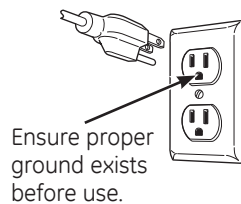
DO NOT use an extension cord.

Failure to follow these instructions can result in death, fire or electrical shock.

CIRCUIT – Individual, properly polarized and grounded 15 or 20 amp circuit breaker or time-delay fuse.

POWER SUPPLY – 2 wire plus ground, 120 Volt, single phase, 60 Hz, alternating current.

Outlet Receptacle – Properly grounded 3-prong receptacle to be located so the power cord is accessible when the washer is in an installed position. If a 2-prong receptacle is present, it is the owner's responsibility to have a licensed electrician replace it with a properly grounded 3-prong grounding type receptacle.



Washer must be electrically grounded in accordance with local codes and ordinances, or in the absence of local codes, with latest edition of the NATIONAL ELECTRICAL CODE, ANSI/NFPA NO. 70 or CANADIAN ELECTRICAL CODE, CSA C22.1. Check with a licensed electrician if you are not sure that the washer is properly grounded.

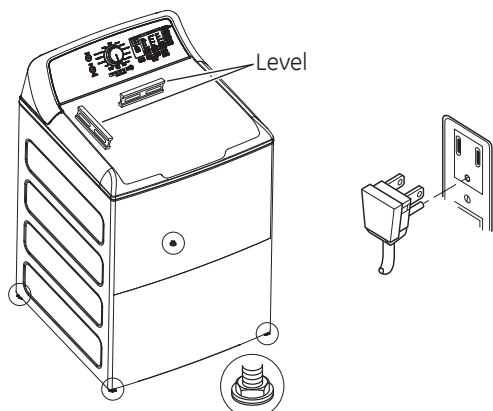
7 CONNECT POWER AND INSTALL

Make sure large dial control (on some models) on washer is pushed in to the OFF position.

Insert plug of electrical cord into a 115V, 15- or 20-amp wall receptacle. Move washer into final position. Place level on flat top side edges of washer. Adjust all four leveling legs until washer is level left-to-right and front-to-back. Remove level.

Open tub lid. Remove and discard tub shipping material (see Step 1).

Remove plastic protector sheet from control panel face.

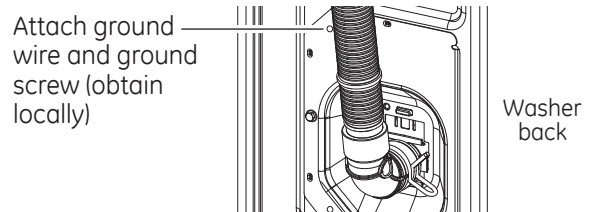


GROUNDING INSTRUCTIONS

This appliance must be grounded. In the event of malfunction or breakdown, grounding will reduce the risk of electric shock by providing a path of least resistance for electric current. This appliance is equipped with a cord having an equipment- grounding conductor and a grounding plug. The plug must be plugged into an appropriate outlet that is properly installed and grounded in accordance with all local codes and ordinances.

⚠ WARNING Improper connection of the equipment- grounding conductor can result in a risk of electrical shock. Check with a qualified electrician, or service representative or personnel, if you are in doubt as to whether the appliance is properly grounded. **DO NOT** modify the plug on the power supply cord. If it will not fit the outlet, have a proper outlet installed by a qualified electrician.

If required by local codes, an external 18 gauge or larger copper ground wire (not provided) may be added. Attach to washer cabinet with a #10-16 x 1/2" sheet metal screw (available at any hardware store) to rear of washer as illustrated.



Mobile Home Installation:

Installation must conform to Standard for Mobile Homes, ANSI A119.1 and National Mobile Home Construction and Safety Standards Act of 1974 (PL93-383).

FINAL CHECKLIST

Before starting the washer, check to make sure:



- Main power is turned on.
- The washer is plugged in.
- The water faucets are turned on.
- The unit is level and all four leveling legs are firmly on the floor.
- The shipping foam and cardboard are removed.
- The drain hose is properly tied up.
- There are no leaks at the faucet, drain line or washer.

Run the washer through a complete cycle.

- Check for water leaks and proper operation.
- Place these instructions in a location near the washer for future reference.

Before you call for service...Troubleshooting Tips

Save time and money! Review the charts on the following pages, or visit GEAppliances.com. You may not need to call for service.

WATER	Possible Causes	What To Do
Small amount of water remaining in dispenser (on some models) at end of cycle	Normal dispenser operation	It is normal for a small amount of water to remain in dispenser after the cycle.
Short spray and delay after pushing the Start button	Lid was opened and closed between cycle selection and start	This is normal. See <i>START-UP SEQUENCE</i> in the Safety Instructions section.
Water level seems low	This is normal	Water may not cover the top level of the clothes. This is normal for this high efficiency washer.
Low water flow	Water valve screens are stopped up	Turn off the water source and remove the water connection hoses from the upper back of the washer and the water faucets. Clean both the hose screens (if so equipped) and the screens in the machine using a brush or a toothpick. Reconnect the hoses and turn the water back on. Check to ensure there are no leaks at the connections.
Water siphoning out of washer	Drain standpipe is too low or hose too far into standpipe	The drain hose must exceed 30" height at some point between the washer back and the drain pipe. Use anti-siphon clip. See the Installation Instructions .
Too many suds	Soft water	Try less detergent.
	Too much detergent	Measure your detergent carefully. Use less soap if you have soft water, a smaller load or a lightly soiled load.
	Type of detergent	Switch to High Efficiency detergent such as 
Water leaks	Type of detergent	Switch to High Efficiency detergent such as 
	Using too much detergent in washer	Use less detergent. Use less soap if you have soft water, a smaller load or a lightly soiled load.
	Fill hoses or drain hose is improperly connected	Make sure hose connections are tight at faucets and rubber washers are installed. Make sure end of drain hose is correctly inserted in and secured to drain facility.
	Household drain clogged	Check household plumbing. You may need to call a plumber.
	Drain hose rubs on wall	Make sure drain hose does not make contact with the wall. May cause excessive wear on the hose.
	Constant water pressure to fill hoses at water source	Tighten hoses at the faucets. Check condition of the fill hoses; they should be replaced every 5 years.
Water temperature seems incorrect	Cooler water temperatures provide improved energy efficiency	New laundry detergents have been formulated to work with cooler water temperatures without affecting wash performance.
	Water supply is turned off or improperly connected	Turn both hot and cold faucets fully on and make sure hoses are connected to correct faucets. NOTE: Water valves are marked "H" and "C".
	Water valve screens are stopped up	Turn off the water source and remove the water connection hoses from the upper back of the washer and the water faucets. Clean both the hose screens (if so equipped) and the screens in the machine using a brush or a toothpick. Reconnect the hoses and turn the water back on. Check to ensure there are no leaks at the connections.
	Cool/Cold Water when selecting Hot	This is normal. The washer senses water temperature (on some models) and optimizes for best results. Cold water is added periodically when hot is selected.
	House water heater is not set properly	Make sure house water heater is delivering water at 120°F–140°F (48°C–60°C).
Water pumped out before cycle is complete	Lid lifted or cycle was put in pause for over 12 hours	Reset cycle.
Water won't drain	Drain hose is kinked or improperly connected	Straighten drain hose and make sure washer is not sitting on it. Top of drain outlet should be less than 8 ft (2.44 m) above floor.
Washer spins and pauses at the beginning of cycles	This is normal	The washer is sensing the load.
Washer pauses during wash cycle	The Soak Option was chosen	This is normal. The washer alternates between agitate and soak during these cycles to get your clothes cleaner with less wear.
	This is normal	Many cycles incorporate as series of soaks within the agitation period to get your clothes clean with less wear.

Before you call for service...Troubleshooting Tips

OPERATION	Possible Causes	What To Do
<i>Residual powder in dispenser or clogging of dispensers (on some models)</i>	Wash water too cold or low home water pressure	Select a warmer wash temperature if possible to improve dissolving of detergent or use liquid detergent. Make sure siphon caps are free of debris and fully pressed into position. Remove and clean tray if clogging occurs.
<i>Laundry additives dispensing too soon (Dispensers on some models)</i>	Overfilling of dispensers	Do not overfill or add water to dispenser. Select Deep Rinse option when using fabric softener.
<i>Washer pauses during spin cycle</i>	This is normal	The washer may pause during the spin cycle to remove soapy water more efficiently.
<i>Washer won't operate</i>	Washer is unplugged	Make sure cord is plugged securely into a working outlet.
	Water supply is turned off	Turn both hot and cold faucets fully on.
	Lid is open—safety feature prevents agitation and spinning when lid is up	Close lid and press Start .
	Circuit breaker/fuse is tripped/blown	Check house circuit breakers/fuses. Replace fuses or reset breaker. Washer should have a separate outlet.
	Electronics need to be reset	Unplug washer, wait 2 minutes, plug back in and press Start .
	Start was not pressed	Press Start .
<i>Detergent packets not dissolving</i>	Laundry detergent packet placed in dispenser	Laundry detergent packets should not be used in the dispensers. They should only be added directly to the wash basket following the manufacturer's directions.
<i>Unexplained time and/or settings changes</i>	Changing options (on some models)	This is normal. Several options will change other options to maximize washer performance.
<i>Basket seems loose</i>	Basket moves or rotates freely	Washer basket does not have a traditional brake. Washer basket will move freely. This is normal.
PERFORMANCE	Possible Causes	What To Do
<i>Colored spots</i>	Incorrect use of fabric softener	Check fabric softener package for instructions and follow directions for using dispenser. Make sure you have selected the Deep Rinse option. Pretreat stain and rewash using Speed Wash cycle before drying.
	Dye transfer	Sort whites or lightly colored items from dark colors.
<i>Grayed or yellowed clothes</i>	Detergent amount	Be sure to follow detergent manufacturer's directions.
	Hard water	Use a water conditioner or install a water softener.
	Water is not hot enough	Make sure water heater is delivering water at 120°F–140°F (48°C–60°C).
	Washer is overloaded	Loosely load clothes no higher than the top row of holes in the washer basket. For best results, load items around the outside of the basket.
	Dye transfer	Sort clothes by color. If fabric label states wash separately, unstable dyes may be indicated.
<i>Lint or residue on clothes</i>	Clothes are air or line dried	If you do not dry your clothes with a clothes dryer, your clothes may retain more lint.
	Incorrect sorting	Separate lint producers from lint collectors.
	Washing too long	Wash small loads for a shorter time using Light Soil setting.
	Detergent not dissolving	Rewash, next time: Try a liquid detergent; Use warmer water temperature.
	Overloading	Loosely load clothes in the washer basket. For best results, load items around the outside of the basket.
	Incorrect use of fabric softener	Check fabric softener package for instructions and follow directions for using dispenser. Make sure you have selected the Deep Rinse option.
<i>Clothes too wet</i>	No spin selected	Select a spin option.
	Incorrect cycle selected	Make sure the cycle selected matches the load you are washing. Some fabrics will feel wetter when rinsed with cold water.
	Wash load out of balance	Redistribute load in washer and run through Drain & Spin cycle.

PERFORMANCE	Possible Causes	What To Do
Blinking Spin light or Spin light on at end of cycle	Out of balance condition has been detected	Allow cycle to continue and finish. If load is wet at the end of the cycle, even out load and run a Drain & Spin cycle.
Pilling	Result of normal wear on poly-cotton blends and fuzzy fabrics	While this is not caused by the washer, you can slow the pilling process by washing garments inside out.
Snags, holes, tears, rips or excessive wear	Pins, snaps, hooks, sharp buttons, belt buckles, zippers and sharp objects left in pockets	Fasten snaps, hooks, buttons and zippers. Remove loose items like pins, objects in pockets and sharp buttons. Turn knits (which snag easily) inside out.
	Undiluted chlorine bleach	Check bleach package instructions for proper amount. Never add undiluted bleach to wash or allow clothes to come in contact with undiluted bleach.
	Chemicals like hair bleach or dye, permanent wave solution	Rinse items that may have chemicals on them before washing. Use Speed Wash cycle with Extra Rinse option.
Wrinkling	Incorrect wash and dry cycles	Match Cycle selection to the type of fabric you are washing (especially for easy care loads).
	Improper sorting	Avoid mixing heavy items (like jeans) with light items (like blouses). Try a fabric softener.
	Overloading	Loosely load clothes in the washer basket.
	Repeated washing in water that is too hot	Wash in warm or cold water.
SOUNDS	Possible Causes	Reason
"Clicking"	Shifter mechanism is engaging or disengaging	The drive system will engage at the start of agitate and disengage when agitate is complete. This occurs multiple times during the wash.
Back and forth "swoosh"	Electric motor reversing direction	This sound is the motor rotating back and forth to clean your laundry.
"Clicking" behind Control during fill	Automatic Temperature Control Valve	Two valves mix cold and hot water. The "clicking" is when either valve turns on or off to raise or lower the fill water temperature.
Water flow changes during fill	Automatic Temperature Control Valve	Two valves mix cold and hot water. The "clicking" is when either valve turns on or off to raise or lower the fill water temperature.
Motor sounds during spin	Motor ramping up/down during spin cycle	The motor will speed up incrementally during the spin cycle. When spin is complete, it will coast until it stops.
"Humming"	Water drain pump	The drain pump will make a humming sound when pumping out water after agitation stops and continue until spin is complete.
	Drive motor	The drive motor will make a "humming" sound during the wash and spin phases of the cycle.
"Gurgling"	Water drain pump	When the pump starts drawing in air, it starts to gurgle. The washer should then begin spinning and the sound will continue until it is done spinning.
Water "swishing"	Washing process	Water swishing while the unit is agitating is normal, especially with smaller loads.
Washer rocking/moving	Washer leveling legs uneven	To level the washer, adjust the leveling legs by rotating the individual leg in the proper direction for up or down.
"Squeaking" sound	Washer not level and rubbing on cabinet	To level the washer, adjust the leveling legs by rotating the individual leg in the proper direction for up or down.

Washer sounds that may be different from your prior washer:

Clicks, water flowing, gear sounds followed by pauses, and electric hum sounds are all part of the normal wash cycle.

To listen and watch videos of normal washer operation, please go to <http://products.geappliances.com/appliance/gea-support-search-content?contentid=23061> or scan the QR code.



GE Appliances Washer Warranty.

All warranty service provided by our Factory Service Centers, or an authorized Customer Care® technician. To schedule service, in the United States, visit us on-line at GEAppliances.com, or call GE Appliances at 800.GE.CARES (800.432.2737). In Canada, visit GEAppliances.ca or call 1.800.561.3344 Please have serial number and model number available when calling for service.

Staple your receipt here. Proof of the original purchase date is needed to obtain service under the warranty.

Servicing your appliance may require the use of the onboard data port for diagnostics. This gives a GE Appliances Factory Service technician the ability to quickly diagnose any issues with your appliance and helps GE Appliances improve its products by providing GE Appliances with information on your appliance. If you do not want your appliance data to be sent to GE Appliances, please advise your technician NOT to submit the data to GE Appliances at the time of service.

For The Period Of: We Will Replace:

One Year

From the date of the original purchase

Any factory specified part of the washer which fails due to a defect in materials or workmanship. During this **limited one-year warranty**, we will also provide, **free of charge**, all labor and related service to replace the defective part.

Ten Years

From the date of the original purchase

The motor, if it should fail due to a defect in materials or workmanship. During this **additional nine-year limited warranty**, you will be responsible for any labor and related service costs.

What Is Not Covered:

- Service trips to your home to teach you how to use the product.
- Improper installation, delivery or maintenance.
- Failure of the product if it is abused, misused, or used for other than the intended purpose or used commercially.
- Replacement of house fuses or resetting of circuit breakers.
- Products which are not defective or broken, or which are working as described in the Owner's Manual.
- Damage to the product caused by accident, fire, floods or acts of God.
- Incidental or consequential damage caused by possible defects with this appliance.
- Defects or damage due to operation in freezing temperatures.
- Damage caused after delivery.
- Product not accessible to provide required service.

EXCLUSION OF IMPLIED WARRANTIES—Your sole and exclusive remedy is product repair as provided in this Limited Warranty. Any implied warranties, including the implied warranties of merchantability or fitness for a particular purpose, are limited to one year or the shortest period allowed by law.

In the United States:

This warranty is extended to the original purchaser and any succeeding owner for products purchased for home use within the USA. If the product is located in an area where service by a GE Appliances Authorized Servicer is not available, you may be responsible for a trip charge or you may be required to bring the product to an Authorized GE Appliances Service location for service. In Alaska, the warranty excludes the cost of shipping or service calls to your home.

Some states do not allow the exclusion or limitation of incidental or consequential damages. This warranty gives you specific legal rights, and you may also have other rights which vary from state to state. To know what your legal rights are, consult your local or state consumer affairs office or your state's Attorney General.

Warrantor: GE Appliances

In Canada:

This warranty is extended to the original purchaser and any succeeding owner for products purchased in Canada for home use within Canada. If the product is located in an area where service by a GE Appliances Authorized Servicer is not available, you may be responsible for a trip charge or you may be required to bring the product to an Authorized GE Appliances Service location.

Some provinces do not allow the exclusion or limitation of incidental or consequential damages. This warranty gives you specific legal rights, and you may also have other rights which vary from province to province. To know what your legal rights are, consult your local or provincial consumer affairs office.

Warrantor: MC Commercial, Burlington, ON, L7R 5B6

Consumer Support.



GE Appliances Website

In the U.S.: **GEAppliances.com**

Have a question or need assistance with your appliance? Try the GE Appliances Website 24 hours a day, any day of the year! For greater convenience and faster service, you can now download Owner's Manuals, order parts or even schedule service on-line. **In Canada: www.GEAppliances.ca**



Schedule Service

In the U.S.: **GEAppliances.com**

Expert GE Appliances repair service is only one step away from your door. Get on-line and schedule your service at your convenience any day of the year! Or call GE Appliances at 800.GE.CARES (800.432.2737) during normal business hours.

In Canada, call 1.800.561.3344



Real Life Design Studio

In the U.S.: **GEAppliances.com**

GE Appliances supports the Universal Design concept—products, services and environments that can be used by people of all ages, sizes and capabilities. We recognize the need to design for a wide range of physical and mental abilities and impairments. For details of GE Appliances Universal Design applications, including kitchen design ideas for people with disabilities, check out our Website today. For the hearing impaired, please call 800.TDD.GEAC (800.833.4322).

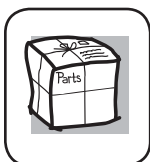
In Canada, contact: Manager, Consumer Relations, MC Commercial
Suite 310, 1 Factory Lane
Moncton, N.B. E1C 9M3



Extended Warranties

In the U.S.: **GEAppliances.com**

Purchase a GE Appliances extended warranty and learn about special discounts that are available while your warranty is still in effect. You can purchase it on-line anytime, or call 800.626.2224 during normal business hours. GE Appliances Consumer Home Services will still be there after your warranty expires. **In Canada, consult your local listings for an extended warranty provider.**



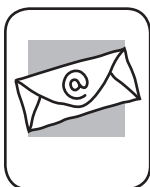
Parts and Accessories

In the U.S.: **GEAppliances.com**

Individuals qualified to service their own appliances can have parts or accessories sent directly to their homes (VISA, MasterCard and Discover cards are accepted). Order on-line today, 24 hours every day or by phone at 800.626.2002 during normal business hours.

Instructions contained in this manual cover procedures to be performed by any user. Other servicing generally should be referred to qualified service personnel. Caution must be exercised, since improper servicing may cause unsafe operation.

In Canada, consult your local listings for your nearest GE Appliances parts distributor or call 800.661.1616.



Contact Us

In the U.S.: **GEAppliances.com**

If you are not satisfied with the service you receive from GE Appliances contact us on our Website with all the details including your phone number, or write to:

General Manager, Customer Relations
GE Appliances, Appliance Park
Louisville, KY 40225

In Canada: www.GEAppliances.ca, or write to: Director, Consumer Relations, MC Commercial
Suite 310, 1 Factory Lane
Moncton, N.B. E1C 9M3

For questions on installation call 1-800-626-2000 (US) and 1-800-561-3344 (Canada).



Register Your Appliance

In the U.S.: **GEAppliances.com**

Register your new appliance on-line—at your convenience! Timely product registration will allow for enhanced communication and prompt service under the terms of your warranty, should the need arise. You may also mail in the pre-printed registration card included in the packing material. **In Canada: www.GEAppliances.ca**



LAVESUSES

MESURES DE SÉCURITÉ2

UTILISATION
 Contrôles 4
 Chargement9
 Caractéristiques Contrôles10

ENTRETIEN ET NETTOYAGE..... 11

INSTALLATION D'INSTALLATION 12

CONSEILS DE DÉPANNAGE17

SOUTIEN AU CONSOMMATEUR
 Garantie (Canada) 20
 Soutien au consommateur 21

GUIDE DE L'UTILISATEUR ET INSTRUCTION D'INSTALLATION

GTW680

Inscrivez ici les numéros de modèle et de série :

Modèle # _____

Série # _____

Vous pouvez les trouver sous le couvercle de la laveuse.



CONSIGNES DE SÉCURITÉ IMPORTANTES.

LISEZ TOUTES LES INSTRUCTIONS AVANT D'UTILISER VOTRE APPAREIL.

CONSIGNES DE SÉCURITÉ IMPORTANTES

⚠ AVERTISSEMENT

Pour réduire les risques de décès, d'incendie, d'explosion, de choc électrique ou de blessures lorsque vous utilisez votre appareil, suivez les mesures de sécurité de base, notamment :

- Lisez toutes les instructions avant d'utiliser l'appareil.
- **NE** nettoyez et **NE** séchez **PAS** d'articles qui ont été nettoyés, lavés, trempés ou tachés avec de l'essence, du solvant pour nettoyage à sec ou d'autres produits combustibles ou substances explosives, car ces derniers peuvent dégager des vapeurs qui pourraient s'enflammer ou exploser.
- **N'ajoutez PAS** de l'essence, du solvant pour nettoyage à sec ou d'autres produits combustibles ou substances explosives à l'eau de lavage. Ces substances peuvent dégager des vapeurs qui pourraient s'enflammer ou provoquer une explosion.
- Dans certaines conditions, de l'hydrogène peut se former dans un circuit d'eau chaude qui n'a pas été utilisé pendant deux semaines ou plus. L'HYDROGÈNE EST UN GAZ EXPLOSIF. Si le circuit d'eau chaude n'a pas été utilisé pendant une telle période, ouvrez tous les robinets d'eau chaude et laissez l'eau couler pendant plusieurs minutes avant d'utiliser votre laveuse. Ainsi, l'hydrogène accumulé sera évacué du système. Ce gaz étant inflammable, **NE fumez PAS** et n'utilisez pas de flamme nue pendant cette opération.
- **NE** laissez **PAS** les enfants jouer sur ou à l'intérieur de cet appareil. La présence d'enfants près de cet appareil lorsqu'il est en marche doit faire l'objet d'une étroite supervision. Avant de mettre la laveuse au rebut ou hors service, retirez la porte ou le couvercle. Le non-respect de ces instructions peut entraîner le décès ou des blessures.
- **NE** mettez **PAS** la main dans l'appareil lorsque le tambour ou l'agitateur est en mouvement pour éviter d'être happé accidentellement.
- **N'installez** ou n'entreposez **PAS** cet appareil dans un endroit où il sera exposé aux intempéries.
- **NE** modifiez **PAS** les commandes, ne réparez ou ne remplacez pas de pièce de cet appareil et ne tentez pas d'effectuer une réparation, sauf si cette procédure est recommandée expressément dans les instructions d'entretien de l'utilisateur ou dans les instructions de réparation de l'utilisateur et que vous possédez les connaissances et les aptitudes requises pour le faire.
- **N'utilisez PAS** cet appareil s'il est endommagé, s'il fonctionne mal, s'il est partiellement démonté ou si certaines de ses pièces manquent ou sont cassées (y compris le cordon d'alimentation ou la fiche).
- Débranchez l'appareil ou fermez son disjoncteur avant de procéder à l'entretien. Appuyer sur le bouton d'alimentation **Power** de l'appareil **NE** le déconnecte **PAS** de l'alimentation.
- Consultez la section sur le « BRANCHEMENT ÉLECTRIQUE » des instructions d'installation pour obtenir les procédures de mise à la terre.

CONSERVEZ CES INSTRUCTIONS

INSTALLATION APPROPRIÉE

Cette laveuse doit être installée conformément aux instructions d'installation avant d'être utilisée.

- Assurez-vous que le boyau d'eau chaude est raccordé au robinet « H » et que le boyau d'eau froide est raccordé au robinet « C ».
- Installez ou entreposez l'appareil à un endroit où il ne sera exposé ni à des températures en dessous du point de congélation ni aux intempéries; l'appareil pourrait subir des dommages permanents et la garantie serait annulée.
- Mettez la laveuse à la terre conformément aux codes et règlements en vigueur. Suivez les instructions détaillées de la section « Instructions d'installation ».
- Une rallonge de tuyau d'évacuation optionnelle est recommandée pour les hauteurs d'évacuation allant de 60 à 96 po (152,4 à 243,8 cm).
- GE Appliances recommande fortement d'utiliser les pièces spécifiées du fabricant. Une liste de boyaux manufacturés disponibles pour l'achat est indiquée. Ces boyaux ont été fabriqués et testés afin de répondre aux spécifications de GE Appliances.
- GE Appliances recommande fortement d'utiliser de nouveaux boyaux d'alimentation en eau. Les boyaux se dégradent avec le temps et doivent être remplacés tous les cinq ans afin de réduire le risque de bris de boyau et de dégâts d'eau.

AVERTISSEMENT - Risque d'électrocution

Brancher à une prise de courant à 3 broches mise à la terre.

NE PAS retirer la broche de contact de mise à la terre.

N'UTILISEZ pas de rallonge électrique.

N'UTILISEZ pas d'adaptateur de prise.

Le non-respect de ces instructions pourrait entraîner un décès, un incendie ou un choc électrique.

- Ensure washer is properly leveled and washer legs are adjusted such that unit is stable.

Pièces et accessoires

Consultez votre annuaire local pour un détaillant de pièces autorisé ou appelez-nous au 1-800-661-1616.

Numéro de pièce	Accessoire
PM14X10002	Boyaux d'alimentation en eau en caoutchouc de 4 pi (1,2 m)
Ou	
PM14X10005	Boyaux d'alimentation en eau de type tressé de 4 pi (1,2 m)
WH49X301	Rallonge de tuyau d'évacuation
PM7X1	Plateau de plancher pour laveuse

✓ SÉQUENCE DE DÉMARRAGE

- À chaque démarrage ou redémarrage suite à l'ouverture ou la fermeture du couvercle, la laveuse ouvre le robinet d'eau froide durant deux courtes périodes suivies d'une pause de 10 secondes avant de poursuivre.
- Si le couvercle est ouvert pendant cette période, la laveuse effectuera une pause. Il vous faudra appuyer sur le bouton **Start** (départ) pour redémarrer le programme.

2 LORSQUE L'APPAREIL N'EST PAS UTILISÉ

- Fermez les robinets d'eau pour réduire les fuites en cas de tuyau cassé. Vérifiez l'état des tuyaux de remplissage. GE Appliances recommande de les remplacer tous les 5 ans.

CONSERVEZ CES INSTRUCTIONS

Utilisation



AVERTISSEMENT Pour réduire le risque d'incendie, de choc électrique ou de blessure, lisez les IMPORTANTES CONSIGNES DE SÉCURITÉ avant de faire fonctionner cet appareil.

Les caractéristiques et l'apparence de la cuisinière montrée dans ce manuel peuvent varier selon le modèle.

Étape 1



- Ajoutez de l'assouplissant dans le distributeur d'assouplissant; consultez la page 10.
- Ajoutez la quantité de détergent recommandée par le fabricant. GE Appliances recommande l'utilisation de détergents Haute Efficacité tels que dans votre laveuse écoénergétique. Placez les dosettes de détergent dans le fond du tambour avant d'ajouter des vêtements.

Étape 2



- Chargez le linge sans le tasser en le répartissant autour de l'Infusor. Charger trop de linge peut avoir un impact négatif sur la performance de lavage. Consultez la page 9 pour obtenir des suggestions de chargement.
 - Fermez le couvercle.
- REMARQUE :** La laveuse ne se démarrera pas si le couvercle est ouvert.

Étape 3

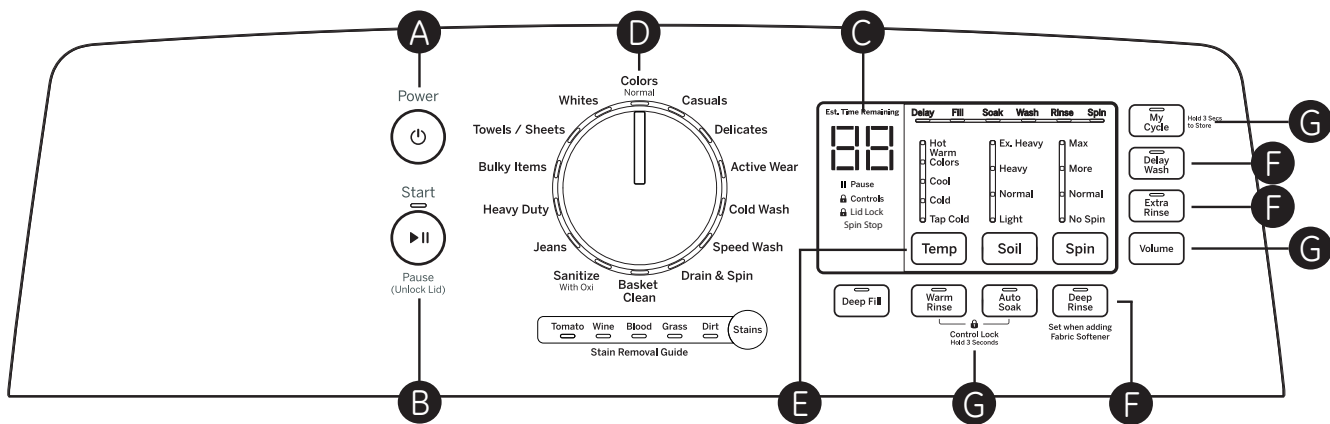


- Sélectionnez un programme de lavage.
- Sélectionnez les options de lavage, y compris *Deep Rinse (rinçage en profondeur)* lors de l'utilisation d'un assouplissant.
- Sélectionnez des options.

Étape 4



- Appuyez sur *Start (départ)*.



A Power (alimentation)

Appuyez pour activer l'affichage. Si l'affichage est activé, appuyez sur cette touche pour mettre la laveuse en mode veille.

REMARQUE : L'alimentation électrique de l'appareil n'est pas coupée lorsque vous appuyez sur **Power** (alimentation).

B Start/Pause (départ/pause)

Appuyez sur **Start** (départ) pour lancer le programme. **REMARQUE :** Le couvercle doit être fermé pour que la laveuse puisse démarrer le cycle. Si le couvercle est ouvert, « Lid » (couvercle) défile sur l'affichage. Si le couvercle est fermé, le voyant **Lid Lock** (couvercle verrouillé) s'allumera, et « SenSing » (détection) défilera sur l'affichage.

Une pression sur **Pause** déverrouillera le couvercle (s'il est verrouillé à ce moment), le programme en pause et le voyant **Start** (départ) clignotera.

Pour relancer le programme, appuyez de nouveau sur la touche **Start** (départ). Si la laveuse est mise en pause pendant plus de 12 heures, le programme sera annulé. S'il reste de l'eau dans la laveuse, sélectionnez le programme **Drain & Spin** (drainer et essorer) pour évacuer l'eau et la vidanger.

C Voyants d'affichage et de progression

Affichage : La durée restante *estimée* avant la fin du programme s'affiche. **REMARQUE :** La durée du programme est affectée par la durée de remplissage de la laveuse. Cela dépend de la pression de l'alimentation en eau de votre domicile. La taille de la brassée influe aussi d'une manière significative sur la durée du cycle, les plus volumineuses prenant davantage de temps.

De plus, l'état de progression de la laveuse défile à l'écran :

- **bALANcING (rééquilibrage) :** Au début du programme de rééquilibrage visant à mieux répartir la charge. S'arrête une fois le rééquilibrage effectué.
- **dELAY (différé) :** Quand la fonction **Delay Wash (lavage différé)** est sélectionnée. Remplacé par la durée estimée lorsque le programme débute.
- **End (fin) :** Fin du programme actuel.
- **FILL (remplissage) :** Pendant les 45 premières secondes d'un remplissage, la durée restante estimée du programme s'affiche. Pendant le reste du remplissage, « FILL » (remplissage) défile.
- **H2O SUPPLY (alimentation en eau) :** Il n'est pas possible de détecter le niveau d'eau (les robinets sont potentiellement fermés).
- **Lid (couvercle) :** Arrêt du programme en raison de l'ouverture du couvercle. Fermez celui-ci.
- **SenSing (détection de la charge) :** Détection de la taille et du type de la charge avant et durant le remplissage (normal).
- **PAUSE :** Programme mis en cause suite à l'utilisation du bouton **Start/Pause** (départ/pause) et de la mise en **Pause** de la laveuse. Appuyez de nouveau sur le bouton **Start** (départ) pour relancer le programme.

Voyants de progression du programme : Il indique si la laveuse est en mode **Delay** (différé), **Fill** (remplissage), **Soak** (trempage), **Wash** (lavage), **Rinse** (rinçage) ou **Spin** (essorage).

Si une condition de déséquilibre est détectée par la laveuse, le voyant d'essorage (Spin) clignotera pendant le restant du cycle et restera allumé pendant une courte période de temps après que le cycle soit terminé. Lorsque cela se produit, la laveuse prend des mesures pour corriger la condition de déséquilibre et de terminer le cycle normalement. Dans certains cas, il est possible que la laveuse ne puisse pas être en mesure d'équilibrer la charge et essorer à pleine vitesse. Si vous remarquez que la charge est plus humide que normalement à la fin du cycle, répartissez la charge uniformément dans le panier de lavage et commencez un cycle de **Drain & Spin** (drainer et essorer).

Les voyants de progression des fonctions indiquent ce qui suit (consultez les sections F et G pour plus de détails) :

II Pause - S'affiche lorsque la laveuse se met en pause entre les cycles.

🔒 Controls (Les contrôles) - La laveuse est verrouillée - le voyant clignotera une fois si vous appuyez sur un bouton ou si vous tournez le bouton de sélection de programme.

🔒 Lid Lock (Le couvercle est verrouillé) - Consultez la section **Control Lock** (verrouillage des commandes).

Spin Stop (Arrêt de l'essorage) - Signale que le tambour est sur le point de s'immobiliser suite à un essorage. Le couvercle ne se déverrouillera que si le tambour s'est totalement immobilisé.

D Programmes de lavage - Bouton de sélection de programme

Le programme de lavage commande le type de processus de lavage. Le bouton de sélection de programme peut être tourné vers la droite ou la gauche. La rotation du bouton de sélection de programme après le début d'un programme arrête la laveuse et règle le programme/les options sur le nouveau programme sélectionné. Appuyez sur **Start** (départ) pour lancer le nouveau programme sélectionné.

Le tableau ci-dessous vous aidera à apparier les articles à laver avec les meilleurs réglages des cycles de lavage. Pour un rendement optimal, sélectionnez le cycle qui s'approche le plus des articles à laver.

Les sélections et les options en **gras** sont les réglages du cycle recommandés. *Certains cycles et options ne sont pas offerts sur tous les modèles.*

Articles à laver	Cycle	Temp. Lavage	Degré saleté	Sélection essorage	Options disponibles	Description du cycle
Cycle pour une utilisation normale, régulière ou typique pour le lavage jusqu'à une charge complète de vêtements de coton normalement sale.	Couleurs	Très chaude Chaude Couleurs Fraîche Froide Froide du robinet	Extrêm. sale Très sale Normal Légère- ment	Max. Plus Normal Aucun essorage	Guide de détachage Rinçage à l'eau chaude Trempe automatique Rinçage en profondeur Lavage différé Rinçage supplémentaire	Cycle pour une utilisation normale, régulière ou typique pour le lavage jusqu'à une charge complète de vêtements de coton normalement sale. Choisissez les options de degré de saleté Très sale ou Extrêmement sale et les températures Chaude ou Très chaude selon la charge de vêtements et le degré de nettoyage à obtenir. Comprend des périodes de remplissage et de lavage en plusieurs phases afin de procurer un traitement optimal des tissus.
Vêtements de loisir, vêtements de bureau légèrement sales.	Vête- ments de loisir	Très chaude Chaude Couleurs Fraîche Froide Froide du robinet	Extrêm. sale Très sale Normal Légère- ment Extrêm. Légère- ment	Max/Extra Normal	Guide de détachage Remplissage profond Trempe automatique Rinçage en profondeur Rinçage n ^o . 2	Cycle de lavage conçu pour l'entretien des vêtements de loisir ou de bureau.
Pour la lingerie fine et les tissus à entretien spécial, légèrement à sales	Tissus délicats	Très chaude Chaude Couleurs Fraîche Froide Froide du robinet	Extrêm. sale Très sale Normal Légère- ment	Max. Plus Normal Aucun essorage	Guide de détachage Remplissage profond Rinçage à l'eau chaude Trempe automatique Rinçage en profondeur Lavage différé Rinçage supplémentaire	Utilise une séquence d'agitation « tri-pulse » exclusive très délicate pour procurer un traitement spécial aux tissus délicats. Il est recommandé de placer les articles très délicats ou petits dans des sacs en filet avant le lavage.
Vêtements de sport de saleté modérée à légère de tissus techniques et synthétiques.	Tenue active	Très chaude Chaude Couleurs Fraîche Froide Froide du robinet	Extrêm. sale Très sale Normal Légère- ment	Max. Plus Normal Aucun essorage	Guide de détachage Remplissage profond Rinçage à l'eau chaude Trempe automatique Rinçage en profondeur Lavage différé Rinçage supplémentaire	Cycle conçu pour l'entretien des tenues actives, des vêtements de sport et des tissus techniques de saleté modérée à légère. Comprend une période de lavage en deux phases avec trempage afin de bien traiter la saleté et les odeurs corporelles. Utilisez le cycle Heavy Duty (Linge résistant) pour les vêtements de sport très sales fabriqués de tissus résistants.
Tissus de couleur foncée, charges mélangées.	Lavage Froide	Très chaude Chaude Couleurs Fraîche Froide Froide du robinet	Extrêm. sale Très sale Normal Légère- ment	Max. Plus Normal Aucun essorage	Guide de détachage Remplissage profond Rinçage à l'eau chaude Trempe automatique Rinçage en profondeur Lavage différé Rinçage supplémentaire	Cycle qui combine plusieurs périodes de brassage et des périodes de trempage afin de procurer un nettoyage amélioré et une efficacité énergétique à des températures d'eau froides.
Petites charges d'articles légèrement sales dont on a un besoin pressant.	Lavage Rapide	Très chaude Chaude Couleurs Fraîche Froide Froide du robinet	Extrêm. sale Très sale Normal Légère- ment	Max. Plus Normal Aucun essorage	Guide de détachage Remplissage profond Rinçage à l'eau chaude Trempe automatique Rinçage en profondeur Lavage différé Rinçage supplémentaire	Utilise une séquence de brassage plus intense, une période de lavage accélérée ainsi qu'un rinçage vaporisé continu afin de nettoyer les petites charges légèrement sales le plus rapidement possible.
Charge d'articles mouillés. Pour les articles qui n'ont besoin que de rinçage, utilisez ce cycle avec l'option Deep Rinse (Rinçage en profondeur).	Drainer et essorer			Max. Plus Normal Aucun essorage	Rinçage en profondeur Rinçage supplémentaire	Utilise un essorage à haute vitesse pour extraire l'eau des articles mouillés. Pour les articles qui doivent être rincés, utilisez ce cycle avec l'option Deep Rinse (Rinçage en profondeur).

Utilisation

D Programmes de lavage - Bouton de sélection de programme - Suite

Articles à laver	Cycle	Temp. Lavage	Degré saleté	Sélection essorage	Options disponibles	Description du cycle
Nettoyage du tambour pour éliminer les résidus et les odeurs. Aucun vêtement à laver avec ce cycle.	Nettoyage du tambour	Très chaud	Extrêm. Sale	Normal	Remplissage profond Rinçage en profondeur	Utilisation recommandée au moins une fois par mois. Ne chargez jamais de vêtements avec ce cycle, cela pourrait les endommager ou les contaminer. Le cycle comprend un lavage en profondeur à l'eau très chaude, un brassage intense, une purge du distributeur (certains modèles) et un rinçage en profondeur.
Articles de couleur foncée très sales.	Désinfecter avec Oxi*	Chaude	Extrêm. sale	Max. Plus	Remplissage profond Rinçage à l'eau chaude Trempe automatique Rinçage en profondeur Lavage différé Rinçage supplémentaire	Ce cycle utilise un remplissage d'eau initial plus bas pour procurer une désinfection très concentrée à haute température suivie d'une étape de lavage pour vêtement très sale. Une purge par pompe et un rinçage en profondeur sont inclus pour retirer les contaminants. Voyez les renseignements supplémentaires et les certifications ci-dessous.
Jeans de saleté modérée à légère. Pour les jeans de travail très sales, utilisez le cycle Heavy Duty (Linge résistant).	Jeans	Très chaude Chaude Couleurs Fraîche Froide Froide du robinet	Extrêm. sale Très sale Normal Légèrement	Max. Plus Normal Aucun essorage	Guide de détachage Remplissage profond Rinçage à l'eau chaude Trempe automatique Rinçage en profondeur Lavage différé Rinçage supplémentaire	Combine des niveaux d'eau supérieurs, une séquence de brassage spéciale ainsi que des périodes de lavage et de trempage en plusieurs phases afin de traiter les jeans de saleté modérée à légère. Utilisez le cycle Heavy Duty (Linge résistant) pour les jeans de travail très sales.
Tissus résistants de saleté élevée à modérée.	Linge résistant	Très chaude Chaude Couleurs Fraîche Froide Froide du robinet	Extrêm. sale Très sale Normal Légèrement	Max. Plus Normal Aucun essorage	Guide de détachage Remplissage profond Rinçage à l'eau chaude Trempe automatique Rinçage en profondeur Lavage différé Rinçage supplémentaire	Comprend des périodes de lavage et de trempage en plusieurs phases combinées avec des périodes de lavage prolongées afin de nettoyer efficacement les tissus résistants de saleté élevée à modérée.
Grands manteaux, jetés de lit, couvre-matelas, sacs de couchage et autres articles volumineux similaires.	Articles volumineux	Très chaude Chaude Couleurs Fraîche Froide Froide du robinet	Extrêm. sale Très sale Normal Légèrement	Max. Plus Normal Aucun essorage	Guide de détachage Remplissage profond Rinçage à l'eau chaude Trempe automatique Rinçage en profondeur Lavage différé Rinçage supplémentaire	Procure un niveau d'eau Deep Fill/Max Fill (Remplissage profond/Remplissage maximal) avec séquence de brassage spécialement conçue pour les articles volumineux. Comprend aussi un rinçage en profondeur afin de rincer efficacement les articles volumineux.
Serviettes, draps	Serviettes / draps	Très chaude Chaude Couleurs Fraîche Froide Froide du robinet	Extrêm. sale Très sale Normal Légèrement	Max. Plus Normal Aucun essorage	Guide de détachage Remplissage profond Rinçage à l'eau chaude Trempe automatique Rinçage en profondeur Lavage différé Rinçage supplémentaire	Cycle conçu pour laver les serviettes et les draps, utilisant un niveau d'eau plus élevé et une période de trempage plus longue afin de nettoyer efficacement ces articles. Il est recommandé de laver les serviettes et les draps séparément pour les meilleurs résultats d'entretien et de lavage.
Blancs et linge de maison	Blancs	Très chaude Chaude Couleurs Fraîche Froide Froide du robinet	Extrêm. sale Très sale Normal Légèrement	Max. Plus Normal Aucun essorage	Guide de détachage Remplissage profond Rinçage à l'eau chaude Trempe automatique Rinçage en profondeur Lavage différé Rinçage supplémentaire	Cycle adapté à nettoyer et à faire vos blancs plus brillants.

Sanitize with Oxi (Désinfecter avec Oxi)

Le cycle **Sanitize with Oxi** (Désinfecter avec Oxi) est conçu pour éliminer 99,9% des bactéries présentes dans les vêtements à laver si un additif Oxi est utilisé avec votre détergent.

Mesurer le détergent et les produits Oxi attentivement. En utilisant les quantités appropriées pour une grande charge très sale, suivez les instructions sur l'étiquette du détergent et du produit Oxi. Le détergent doit être ajouté en utilisant les instructions du distributeur tel qu'indiqué à la page 9 de ce guide. Placez le produit Oxi directement dans le fond du tambour de lavage, avant d'ajouter les vêtements. Le robinet d'alimentation en eau chaude doit fournir un minimum de 120° F pour assurer l'efficacité de ce cycle.

NOTE: La température par défaut de l'eau du cycle **Sanitize With Oxi** (Désinfecter avec Oxi) NE peut pas être changée.

Le cycle **Sanitize With Oxi** est certifié par NSF International, une organisation tierce indépendante de testage et certification. La certification a vérifié que le cycle réduit 99,9% des bactéries habituellement trouvés dans la lessive résidentielle et qu'aucune contamination importante est transférée aux charges suivantes. Seulement le cycle **Sanitize With Oxi** a été conçu pour répondre aux exigences du Protocole NSF P172 pour une désinfection efficace.



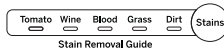
Protocole NSF P172
Rendement de désinfection de laveuses
résidentielles et commerciales, de taille familiale

Stain Removal Guide (guide de détachage)

La fonction **Stain Removal Guide** (guide de détachage) vous permet d'indiquer le type de taches présentes sur vos vêtements. Cette fonction comporte un traitement en instance de brevet. Un remplissage d'eau initial est exécuté à une température correspondant au type de tache sélectionné, dans une quantité permettant un nettoyage concentré. Une phase de frottage suivie d'un trempage actif est exécutée pour traiter la tache. De l'eau supplémentaire à température sélectionnée est ajoutée et la phase de lavage s'enclenche au cycle sélectionné.

Pour utiliser le guide de détachage :

1. Sélectionnez le programme de lavage désiré.
2. Appuyez sur **Stain Removal Guide** (guide de détachage).



Continuez à appuyer pour sélectionner **Tomato** (tomate), **Wine** (du vin), **Blood** (sang), **Grass** (herbe) ou **Dirt** (terre). Le voyant indiquera le type de tache sélectionné.

Pour sélectionner une tache différente, appuyez sur **Stain Removal Guide** (guide de détachage) jusqu'à ce que le voyant de la tache à éliminer soit allumé. Pour désactiver **Stain Removal Guide**, appuyez sur le bouton jusqu'à ce qu'il ne reste plus de voyant allumé.

REMARQUE : Les degrés de saleté et de température seront modifiés pour correspondre au réglage par défaut recommandé pour chaque type de tache. Désactiver **Stain Removal Guide** (guide de détachage) rétablira les réglages par défaut.

Guide de détachage

Catégorie	Températures de traitement/lavage recommandées	Tache	Pour les meilleurs résultats, avant de mettre dans la laveuse :
Sang	Froide/Fraîche	Sang) Transpiration Fluides corporels Urine	Rinse in cold water; pretreat stain with liquid detergent or stain remover product.
Herbe	Froide/Chaude	Herbe Rouge à lèvres Chocolat Sauce Mayonnaise Sauce BBQ	Prétraiter avec un détergent liquide ou un détachant. Brosser légèrement; rincer à l'eau froide.
Crasse	Fraîche/Chaude	Crasse Argile Boue	Laisser sécher la crasse; enlever la crasse lâche avec une brosse. Rincer à l'eau froide.
Tomate	Fraîche/Chaude	Sauce Ketchup Salsa	Prétraiter avec un détergent liquide ou un détachant. Rincer à l'eau froide.
Vin	Fraîche/Chaude	Vin Boisson gazeuse Kool-Aid Thé Café Jus Bière	Prétraiter dans une solution d'eau et d'Oxi. Ajouter de l'Oxi avec le détergent dans la laveuse.

- Les températures recommandées visent à optimiser l'efficacité du détachage; réglez la température en fonction de la charge à laver.
- Assurez-vous que la tache a été complètement nettoyée après le cycle de lavage et avant le séchage; les taches rebelles peuvent nécessiter un second traitement.

Utilisation

E Réglages

Vous pouvez attribuer des réglages individuels allant de minimum (le plus bas de la colonne) à maximum (le plus haut de la colonne) pour le brassage saleté (**Soil**), la température de l'eau (**Temp**) et l'essorage (**Spin**). En général, plus la fonction apparaît haut dans la colonne, plus elle est énergivore.

REMARQUE : L'allongement des temps d'essorage réduisent généralement le temps de séchage/de consommation d'énergie (c.-à-d. qu'elles diminuent la consommation totale d'énergie dans le cas de l'utilisation combinée d'une laveuse et d'une sècheuse).

F Options de programmes

Deep Fill (remplissage profond)

Sélectionnez la fonction de **Deep Fill (Remplissage profond)** pour des charges où de l'eau supplémentaire est nécessaire. La fonction de remplissage profond est recommandée pour des charges spéciales seulement, et non pour une utilisation habituelle.

Appuyez sur le bouton **Deep Fill (Remplissage profond)** une fois avant de démarrer le cycle pour ajouter une quantité d'eau supplémentaire à la charge à laver. Une pression de 3 secondes sur le bouton **Deep Fill (Remplissage profond)** procure le plus profond remplissage possible; la durée du cycle en sera augmentée en raison du temps requis pour remplir la laveuse.

Pour annuler l'option au besoin, appuyez sur le bouton **Deep Fill (Remplissage profond)** de nouveau.

REMARQUE : On peut aussi appuyer sur le bouton **Deep Fill (Remplissage profond)** une fois le remplissage terminé et la phase de lavage commencée si l'on souhaite un supplément d'eau. Pour arrêter le remplissage supplémentaire, appuyez sur le bouton **Deep Fill (Remplissage profond)** de nouveau et l'apport d'eau cessera.

Warm Rinse (rinçage tiède)

Procure un rinçage à l'eau chaude pour votre charge de lavage. Notez que les opérations de rinçage peuvent différer si cette option est sélectionnée afin d'appliquer efficacement de l'eau de rinçage chaude sur votre charge.

Auto Soak (auto trempage)

Cette option débute par un bref brassage, fait tremper le linge pendant une durée précisée, puis passe au reste du cycle automatiquement. Appuyer sur le bouton **Soak** à répétition fera défiler les sélections à 15 minutes, 30 minutes, 1 heure et 2 heures pour retourner ensuite à 0 minute.

Deep Rinse (rinçage en profondeur)

Sélectionnez cette option pour obtenir un rinçage en profondeur ou lorsque vous ajoutez l'assouplissant. Elle peut modifier d'autres réglages (l'essorage **Spin** peut passer à une vitesse plus élevée) pour optimiser la performance.

Delay Wash (lavage différé)

À mesure que vous appuyez sur le bouton **Delay Wash** (lavage différé), le départ différé se règle de 1 (01H) à 9 (09H) heures, puis retourne à zéro (00H). Si vous maintenez **Delay Wash** (lavage différé) enfoncé pendant 3 secondes, il se réinitialise immédiatement.

Extra Rinse (rinçage supplémentaire)

Lorsque vous utilisez du détergent supplémentaire ou de l'agent de blanchiment pour laver le linge très sale, sélectionnez l'option **Extra Rinse** (rinçage supplémentaire) pour mieux éliminer les résidus. **REMARQUE** : Cette option ne peut être utilisée avec certains programmes.

G Options supplémentaires

My Cycle Settings (mes réglages de cycle)

À mesure que vous tournez le bouton de sélection des cycles, les options **Soil** (saleté), **Temp** (température) et **Spin** (essorage) changent pour revenir aux réglages automatiques par défaut. Si vous souhaitez un réglage différent, sélectionnez les options ou les modifications désirées pour les réglages du cycle, puis maintenez enfoncé le bouton **My Cycle** (Mon cycle) durant 3 secondes pour les mémoriser. Le bouton **My Cycle** s'allume lorsqu'il est activé. Lorsque vous tournerez le sélecteur à ce cycle à l'avenir, vos réglages seront automatiquement rappelés. Pour rétablir les réglages d'usine par défaut temporairement (c.-à-d. pour cette charge), appuyez sur le bouton **My Cycle** durant ½ seconde. Le voyant **My Cycle** s'éteindra et les réglages par défaut se chargeront. Ce sont cependant vos réglages **My Cycle** qui se chargeront à la prochaine utilisation de cette fonction. Si vous souhaitez rétablir les réglages d'usine par défaut d'une façon permanente pour ce cycle, maintenez enfoncé le bouton **My Cycle** durant 3 secondes lorsque ce bouton sera actif (allumé). Les réglages par défaut seront alors chargés et le voyant s'éteindra. Les réglages par défaut se chargeront lors de la sélection de ce cycle à l'avenir et le voyant **My Cycle** (Mon cycle) restera éteint. **REMARQUE** : La fonction **My Cycle** sauvegarde les options suivantes : **Temp**, **Soil**, **Spin**, **Extra Rinse**, **Deep Fill**, **Warm Rinse**, **Auto Soak**, **Deep Rinse** et **Stain Removal Guide** (Guide de détachage).

Volume (volume)

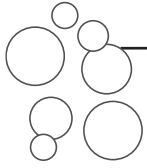
Utilisez le bouton Volume pour changer le volume du signal de fin de cycle et les autres signaux sonores du système. Appuyez sur le bouton jusqu'à atteindre le volume désiré (élevé, moyen, bas) ou l'absence de volume.

Control Lock (verrouillage de commande)

Utilisez le verrouillage des commandes avant ou durant un cycle pour empêcher l'exécution de sélections.

Pour verrouiller/déverrouiller le commande de la laveuse, maintenez **Warm Rinse** (rinçage tiède) et **Auto Soak** (auto trempage) enfoncé pendant 3 secondes. L'icône de verrouillage des commandes s'allume lorsque cette fonction est activée. **REMARQUE** : Le bouton **Power** (alimentation) peut toujours être utilisé lorsque la machine est verrouillée.

Respectez toujours l'étiquette d'entretien du fabricant lors de la lessive.




Emploi approprié du détergent

L'excès ou le manque de détergent constitue un des problèmes courants lors de la lessive.

Vous pouvez utiliser moins de détergent si votre eau est douce, si votre linge est moins volumineux ou s'il est légèrement sale.

En cas de taches, appliquez du détachant en suivant les recommandations figurant sur l'étiquette des articles. Cette application doit être effectuée dans le tambour pour éviter d'éclabousser le couvercle ou les graphiques, ce qui pourrait ternir leurs couleurs.

Placez les dosettes de détergent dans le fond du tambour avant d'ajouter des vêtements.

GE Appliances recommande d'utiliser des détergents haute efficacité tels que  dans votre laveuse écoénergétique. Les détergents HE sont formulés pour être utilisés avec les systèmes de lavage et de rinçage à faible quantité d'eau. Les détergents HE diminuent les problèmes de production excessive de mousse couramment associés aux détergents traditionnels.

Lorsque vous utilisez des détergents haute efficacité ou concentrés, reportez-vous à l'étiquette des articles pour déterminer la dose requise pour une performance optimale. Une quantité excessive de détergent aura un impact négatif sur la performance du lavage.



Tri du linge

Triez le linge par couleur (blancs, clairs, couleurs), degré de saleté, type de tissu (coton robuste, tissu à entretien facile, tissu délicat) et en fonction de la charpie qu'il produit (tissu éponge, tissu chenille) ou qu'il ramasse (velvétine, velours côtelé). Lavez les articles qui génèrent de la charpie, tels que les serviettes de coton et les bas, séparément des articles qui la collectent, par exemple les vêtements synthétiques et les pantalons habillés.

AVERTISSEMENT - Risque d'incendie

NE lavez **PAS** les tissus contaminés avec des liquides inflammables ou des solvants de nettoyage.

Aucune laveuse ne peut éliminer l'huile totalement.

NE lavez ou séchez **RIEN** qui a été trempé ou éclaboussé avec tout type d'huile (y compris les huiles de cuisson).

NE mettez **PAS** à la main dans la machine à laver jusqu'à ce que toutes les pièces mobiles soient arrêtées. Cela peut entraîner la mort, une explosion, un incendie ou une amputation.

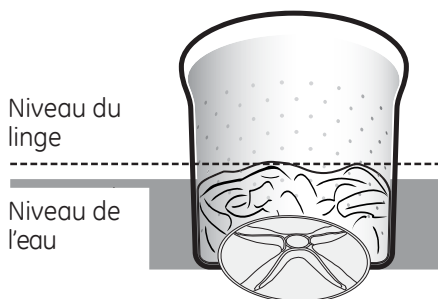


Chargement de la laveuse

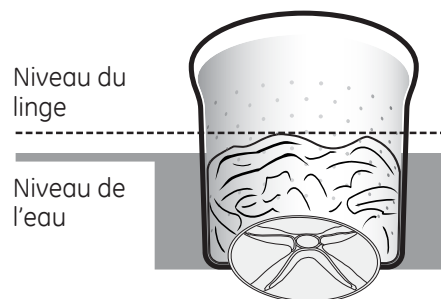
Chargez le linge sans l'entasser dans le tambour. Pour de meilleurs résultats, chargez le linge en le répartissant de manière uniforme sur le tour extérieur du tambour, et vers le centre pour les charges plus volumineuses. Pour ajouter des articles une fois la laveuse en marche, appuyez sur le bouton **Start/Pause** (départ/pause) si le couvercle est verrouillé; attendez que le voyant **Lid Locked** (Couvercle verrouillé) de l'affichage soit éteint avant d'ouvrir le couvercle. Soulevez le couvercle et immergez les articles supplémentaires sur le tour extérieur du tambour. Pour reprendre le lavage, fermez le couvercle et appuyez sur **Start** (départ). Réglez la taille de la charge et/ou utilisez l'option **Deep Fill** (Remplissage profond) si nécessaire.

- Ne mettez *pas* d'articles comme des draps, des couvertures ou des serviettes sur le dispositif Infusor (sur certains modèles). Chargez-les en les répartissant sur le tour extérieur du tambour.
- Ne mettez *pas* de coussins d'extérieur ou de canapé dans la laveuse, car ils sont trop gros pour bouger. Retirez les housses extérieures et lavez **UNIQUEMENT** celles-ci.

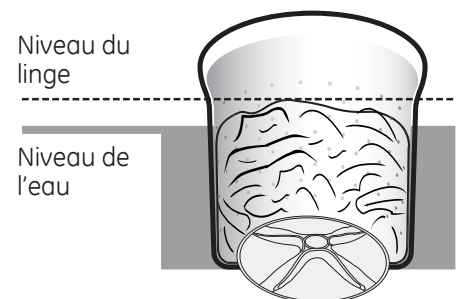
Petit volume de linge



Volume de linge moyen



Grand volume de linge



À propos des caractéristiques de la laveuse

Détection automatique du volume de linge

Cette fonction détermine la séquence de brassage correcte, la durée du brassage et la quantité d'eau qui convient à la taille et au type de charge placée dans la laveuse. La laveuse ne démarrera pas le cycle de lavage ou le remplissage d'eau si le couvercle est ouvert. Lorsque le couvercle est fermé, la machine peut commencer à se remplir d'eau pour détecter le volume de linge.

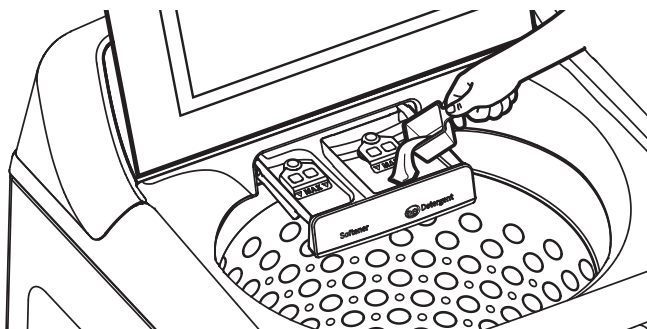
REMARQUE : La détection automatique du volume de linge démarre un essorage en début de cycle et mettra jusqu'à 3 minutes à s'accomplir (beaucoup moins de temps pour les petites charges); il s'agit d'une opération normale.

REMARQUE : Cet appareil est une laveuse haute efficacité avec action de lavage Infusor. Ce système requiert moins d'eau tout en offrant une action de lavage efficace. Vous pouvez remarquer que le niveau d'eau est inférieur à celui de votre précédente laveuse. Ceci est normal pour une laveuse équipée du dispositif Infusor.

Distributeur de détergent

Du détergent liquide ou en poudre haute efficacité doit être ajouté du **côté droit** du tiroir du distributeur. Suivez les recommandations du fabricant de détergent pour connaître la quantité appropriée selon la taille de la charge, en veillant à ajouter le détergent dans le **compartiment de droite**. Attention à ne pas mettre trop de détergent ni à le diluer car l'additif sera distribué prématurément dans le cycle de lavage. Votre choix d'options déterminera le moment optimal où le détergent sera automatiquement distribué dans le cycle de lavage.

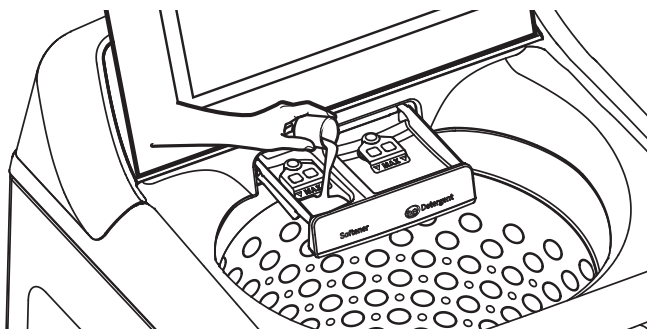
REMARQUE : Ne mettez pas de capsules de détergent dans le tiroir du distributeur car ils ne se répandront pas correctement. Placez plutôt les capsules dans le fond du tambour.



Distributeur d'assouplissant liquide

L'assouplissant liquide doit être ajouté du **côté gauche** du tiroir du distributeur. Suivez les recommandations du fabricant de l'assouplissant liquide pour connaître la quantité appropriée selon la taille de la charge, en veillant à ajouter l'assouplissant dans le **compartiment de gauche**. Attention à ne pas mettre trop d'assouplissant ni à le diluer car l'additif sera distribué prématurément dans le cycle de lavage. Votre choix d'options déterminera le moment optimal où l'assouplissant sera automatiquement distribué pendant le cycle de lavage.

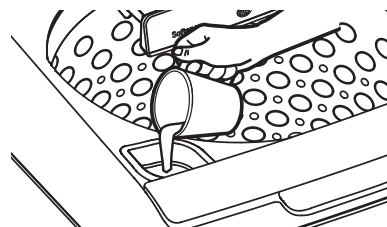
REMARQUE : Ne mettez pas de cristaux d'assouplissant dans le tiroir du distributeur car ils ne se répandront pas correctement.



Agent de blanchiment liquide

L'agent de blanchiment au chlore doit être ajouté par le distributeur d'agent de blanchiment dans le **coin avant gauche**. Suivez les recommandations du fabricant de l'agent de blanchiment pour connaître la quantité appropriée selon la taille de la charge, en veillant à ne pas appliquer ni verser directement sur le linge.

REMARQUE : N'utilisez pas d'agent de blanchiment liquide au chlore et de détachant tel qu'un produit Oxi dans la même charge.



Détachant

Placez le détachant, par exemple un produit Oxi, directement dans le fond du tambour avant de charger le linge.

REMARQUE : N'utilisez pas d'agent de blanchiment liquide au chlore et de détachant tel qu'un produit Oxi dans la même charge.

Extérieur

Essuyez immédiatement tout produit renversé à l'aide d'un chiffon humide.

Nettoyage de l'intérieur de la laveuse

Pour nettoyer l'intérieur de la laveuse, sélectionnez la fonction **Basket Clean** (tambour propre) sur le tableau de commande. Le programme **Basket Clean** (tambour propre) doit être utilisé au moins une fois par mois. Ce programme utilise plus d'eau, en plus de l'agent de blanchiment, pour contrôler la vitesse à laquelle la saleté et les détergents pourraient s'accumuler dans votre laveuse.

REMARQUE : Lisez toutes les instructions ci-dessous avant de lancer le programme **Basket Clean** (tambour propre).

1. Retirez tout vêtement ou objet de la laveuse, et assurez-vous que le tambour est vide.
2. Ouvrez le couvercle de la laveuse et versez une tasse ou 250 ml d'agent de blanchiment liquide ou de nettoyage pour laveuse dans le tambour.
3. Fermez le couvercle et sélectionnez le programme **Basket Clean** (tambour propre). Appuyez sur le bouton **Start** (départ).

4. Lorsque le programme **Basket Clean** (tambour propre) est en cours, le temps restant estimé s'affiche. N'interrompez pas le programme.

Basket Clean (tambour propre) peut être interrompu par le biais du bouton **Start** (départ) entre deux cycles. Une panne de courant peut également interrompre le programme. Une fois le courant rétabli, le programme **Basket Clean** (tambour propre) reprend là où il s'était arrêté. En cas d'interruption, veillez à effectuer un programme **Basket Clean** (tambour propre) complet avant d'utiliser la laveuse. Si vous appuyez sur le bouton **Power** (alimentation) lors du programme **Basket Clean** (tambour propre), celui-ci sera perdu.

IMPORTANT :

- Utilisez le programme **Basket Clean** (tambour propre) avec 1 tasse (250 ml) d'agent de blanchiment une fois par mois.
- Une fois le programme **Basket Clean** (tambour propre) terminé, l'intérieur de votre laveuse peut sentir l'agent de blanchiment.



Nettoyage du tiroir du distributeur

Après une certaine période d'utilisation, une petite quantité de résidus de détergent ou d'assouplissant peut se trouver dans le tiroir du distributeur. Le tiroir se retire aisément pour le nettoyage : tirez-le jusqu'à ce qu'il s'arrête puis soulevez-le par le devant. Le tiroir peut alors être retiré de la boîte de distribution. Lavez le tiroir dans une solution d'eau chaude et de détergent doux. Rincez le tiroir à l'eau chaude. Si les capuchons des siphons sont retirés pour nettoyage, assurez-vous de les remettre en place en les poussant à fond après le nettoyage.

Le tiroir du distributeur et les capuchons des siphons ne vont pas au lave-vaisselle. La boîte du distributeur n'est pas amovible mais on peut l'essuyer à l'aide d'un chiffon imbibé si nécessaire. Ne tentez pas de retirer la boîte du distributeur pour le nettoyage.



Flexibles d'alimentation d'eau

Les Flexibles d'alimentation d'eau connectant la laveuse au robinet devraient être remplacés tous les cinq ans.

Déménagement et entreposage

Demandez à un réparateur de vidanger l'eau de la pompe et des tuyaux. Entreposez la laveuse à l'abri des intempéries.

Vacances prolongées

Coupez l'alimentation en eau au niveau des robinets. Vidangez l'eau des tuyaux et de la zone de la pompe de filtration de l'eau en cas de risque de gel.

Indicateur d'aide au consommateur

Votre laveuse est équipée d'un Indicateur d'aide au consommateur (IAC). L'IAC est notre façon de communiquer une solution simple dans certaines situations où un appel de service n'est pas nécessaire. Le tableau ci-dessous décrit les messages utiles qui peuvent défiler sur votre affichage lorsque vous retournez pour laver une autre charge. Ces messages présentent des solutions simples que vous pouvez exécuter rapidement.

Spin (Une lumière clignotante de spin)	Si une condition de déséquilibre est détectée par la laveuse, le voyant d'essorage (Spin) clignotera pendant le restant du cycle et restera allumé pendant une courte période de temps après que le cycle soit terminé. Lorsque cela se produit, la laveuse prend des mesures pour corriger la condition de déséquilibre et de terminer le cycle normalement. Dans certains cas, il est possible que la laveuse ne puisse pas être en mesure d'équilibrer la charge et essorer à pleine vitesse. Si vous remarquez que la charge est plus humide que normalement à la fin du cycle, répartissez la charge uniformément dans le panier de lavage et commencez un cycle de Drain & Spin (drainer et essorer).
"H2O SUPPLY" (Alimentation d'eau dans la laveuse)	Vérifiez l'alimentation d'eau de votre domicile. Avez-vous oublié d'ouvrir un ou les deux robinets d'admission d'eau après l'installation ou au retour de vacances? Aussitôt que le message commence à défiler, la laveuse lance une période de verrouillage de 4 minutes. Les commandes de la laveuse ne répondront pas durant cette période ni ne pourront être changées. Après 4 minutes, vous pouvez redémarrer votre cycle. Si vous tentez d'outrepasser la période de verrouillage en débranchant la laveuse, la minuterie de 4 minutes se mettra en marche de nouveau.
"CANCELED" (Annulé)	"CANCELED" (Annulé) peut défiler sur l'affichage si la machine a été mise en pause pendant plus de 12 heures ou si la machine s'est arrêtée par elle-même en raison de certaines erreurs avant que le cycle soit fini. Dès que le message commence à défiler, la laveuse va initier une période de verrouillage « lock-out » pour une durée de 4 minutes. Les commandes de la laveuse ne répondront pas (ni ne pourront être changées) durant cette période. Après les 4 minutes, vous pouvez redémarrer votre cycle. Si vous tentez d'outrepasser la période de verrouillage en débranchant la laveuse, la minuterie de 4 minutes se mettra de nouveau en marche. Si le problème persiste appelez 800.561.3344 pour le service.
"Lid" (Couvercle)	"Lid" (Couvercle) sera affiché sur l'écran si 3 cycles ont été commencés sans ouvrir le couvercle. La laveuse ne commencera pas un autre cycle jusqu'à ce que le couvercle sera ouverte. Essayez d'ouvrir, puis fermer le couvercle et commencez un nouveau cycle. Si le problème persiste, appelez 800.561.3344 pour le service.

Instructions d'installation

Laveuse



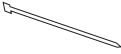


Des questions? Appelez le 1.800.561.3344 ou Visitez notre site Web à l'adresse : www.electromenagersge.ca

AVANT DE COMMENCER



Lisez ces instructions entièrement et soigneusement.

- **IMPORTANT** – Conservez ces instructions pour l'inspecteur local.
- **IMPORTANT** – Observez tous les codes et les ordonnances en vigueur.
- **Note à l'installateur** – Assurez-vous de laisser ces instructions au consommateur.
- **Note au consommateur** – Conservez ces instructions à titre de référence.
- **Niveau de compétences** – L'installation de cet appareil électroménager nécessite des compétences mécaniques et électriques de base.
- **Temps d'installation** – 1-3 heures
- L'installateur est responsable de bien installer cet appareil.
- Toute panne de produit due à une mauvaise installation n'est pas couverte par la garantie.

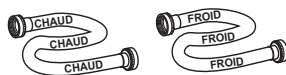

PIÈCES FOURNIES

- Guide de référence l'utilisateur 
- Tuyau d'évacuation 
- Attache de câble 
- Bride de tuyau d'évacuation 
- Collier de serrage 

OUTILS NÉCESSAIRES POUR INSTALLER LA LAVEUSE

- Pince à joint coulissant 
- Niveau 

PIÈCES REQUISES (vendues séparément)

- Flexibles d'eau (2) 
- Rondelles en caoutchouc (2) et grillages pour crépine (2) 
- Rallonge de tuyau d'évacuation (pour hauteurs d'évacuation de 60 à 96 po (1,5 à 2,5 m))

Pièces et accessoires GE Appliances

Visitez votre fournisseur local de pièces GE Appliances ou commandez par téléphone au 800.661.1616 durant les heures normales de bureau.

Numéro de pièce Accessoire

- | | |
|------------|---|
| PM14X10002 | Flexibles d'alimentation d'eau en caoutchouc – 1,2 m (4 pi) |
| Ou | |
| PM14X10005 | Flexibles d'alimentation d'eau en métal tressé – 1,2 m (4 pi) |
| WH1X2267 | Rondelles en caoutchouc et grillages |
| WH49X301 | Rallonge de tuyau d'évacuation (pour hauteurs d'évacuation de 60 à 96 po (1,5 à 2,5 m)) |

NOTE: Nous recommandons fortement d'utiliser des tuyaux d'alimentation en eau neufs. Les tuyaux se dégradent avec le temps et doivent être remplacés tous les 5 ans pour réduire le risque de rupture des tuyaux et/ou de dégâts des eaux.

Instructions d'installation

EMPLACEMENT DE VOTRE LAVEUSE

N'installez jamais votre laveuse :

1. Dans un endroit exposé à de l'eau qui coule ou aux conditions climatiques extérieures. La température ambiante ne doit jamais être inférieure à 15,6°C (60°F) pour que la laveuse fonctionne bien.
2. Dans un endroit où elle entre en contact avec des tentures ou des rideaux.
3. Sur un tapis. Le sol **DOIT** être une surface dure avec une pente maximum de 1,27 cm per 30 cm (1/2 pouce par pied). Pour vous assurer que la laveuse ne vibre pas ou ne bouge pas, il est possible que vous deviez renforcer le plancher.

REMARQUE : Si le plancher est en mauvais état, utilisez une feuille de contreplaqué traité de 3/4 po. fixé solidement à la couverture de plancher actuelle.

IMPORTANT : Espaces libres minimum pour l'installation - Réduit ou un Placard

- Si on recommande l'installation de votre machine à laver dans un réduit ou un placard, vous trouverez les normes d'installation correspondantes sur une étiquette au dos de la machine.
- Dégagement minimal entre la machine et les surfaces mitoyennes : 0 cm (0 po) de part et d'autre, 5 cm (2 po) à l'avant. Espace vertical depuis le plancher jusqu'aux tablettes ou armoires suspendues, plafond, etc. = 60 po (152.4cm).
- Les portes du placard doivent être perforées ou bien ventilées et disposer d'au moins 150 cm² (60 pouces carrés) d'espace. Si le placard abrite une laveuse et une sècheuse, les portes doivent disposer de 3 m² (120 pouces carrés) au minimum d'espace ouvert.

REMARQUE : Les jeux indiqués sur cette affiche constituent des jeux minimaux. Il convient également de prévoir un dégagement suffisant pour les opérations d'installation et d'entretien.

EXIGENCES D'ALIMENTATION D'EAU

PRESSION D'EAU – Celle-ci doit se situer entre un minimum de 1,4 kgf/cm² (20 psi) et un maximum de 8,4 kgf/cm² (120 psi).

TEMPÉRATURE D'EAU – Le chauffe-eau domestique doit être réglé de façon à alimenter LA MACHINE À LAVER avec de l'eau chaude entre 50 °C et 65 °C (120 °F et 150 °F) quand on choisit le mode " hot wash " (lavage à chaud).

ROBINETS D'ARRÊT – Des robinets d'arrêt d'eau chaude et d'eau froide doivent être prévus.

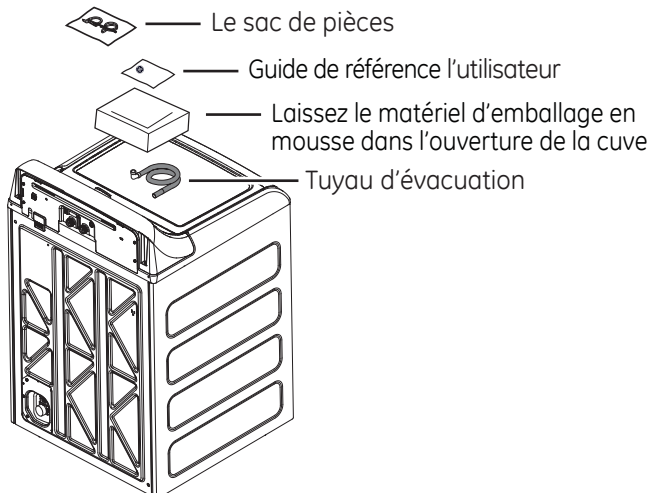
ÉVACUATION – L'eau de vidange peut être évacuée au moyen d'un tuyau de renvoi. L'eau **DOIT ÊTRE** évacuée à une hauteur MINIMALE DE 76 cm (30 po) et maximale de 2,4 m (8 pieds) par rapport à la base de la machine. Le tuyau de renvoi doit avoir un diamètre intérieur minimal de 3,8 cm (1-1/2 po) et être situé à l'air libre.

1 DÉBALLAGE DE VOTRE LAVEUSE

Lorsque la machine est à destination, enlevez l'ensemble des matériaux extérieur et cartons d'emballage.

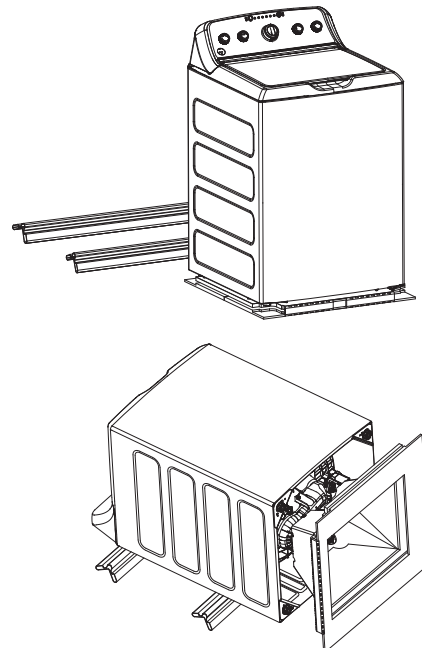
Retirez le sac (comprenant collier de serrage, attache de câble et bride de tuyau d'évacuation), le tuyau d'évacuation et le guide de référence de l'utilisateur de la cuve.

REMARQUE: Laissez le matériel d'emballage en mousse dans l'ouverture de la cuve pour maintenir la cuve en place pendant le reste de l'installation.



2 ENLÈVEMENT DE LA BASE

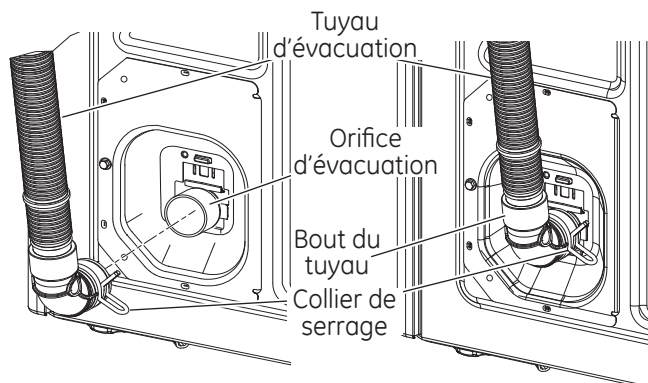
Pour enlever la base de l'appareil, placez un pied sur le côté et renversez l'appareil vers l'arrière sur les montants de coin. Retirez la base puis remettez la laveuse à l'endroit.



Instructions d'installation

3 RACCORDEMENT DU TUYAU D'ÉVACUATION À LA LAVEUSE

Raccordez le tuyau d'évacuation à l'orifice d'évacuation à l'arrière de la laveuse. Ouvrez le collier de serrage avec une pince et glissez-le sur le bout du tuyau. En maintenant le collier ouvert, poussez le bout du tuyau dans l'orifice d'évacuation jusqu'à ce qu'il repose au fond. Relâchez le collier entre les nervures de localisation sur le bout du tuyau.



5 RACCORDEMENT DES FLEXIBLES D'EAU AUX ROBINETS D'ADMISSION

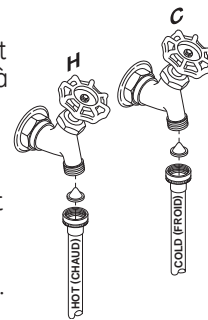
Repérez le robinet d'eau CHAUDE avant de raccorder les flexibles. Celui-ci se trouve normalement à gauche.

(Si les tamis/joints en caoutchouc ne sont pas présents) Avec le côté en saillie du tamis vers vous, introduisez un ensemble tamis/joint caoutchouc à l'autre extrémité des flexibles d'alimentation d'eau.

Branchez le flexible d'eau chaude au robinet de sortie d'eau chaude domestique. Serrez à la main, puis utilisez des pinces pour serrer les flexibles de 1/4 à 1/2 de tour supplémentaire. Ouvrez le robinet d'eau chaude.

Branchez le flexible d'eau froide (S) au robinet de sortie d'eau froide domestique. Serrez à la main, puis utilisez des pinces pour serrer les flexibles de 1/4 à 1/2 de tour supplémentaire. Ouvrez le robinet d'eau froide.

Vérifiez l'absence de fuite et de suintement au niveau des raccords de tuyaux. Resserrez si nécessaire.

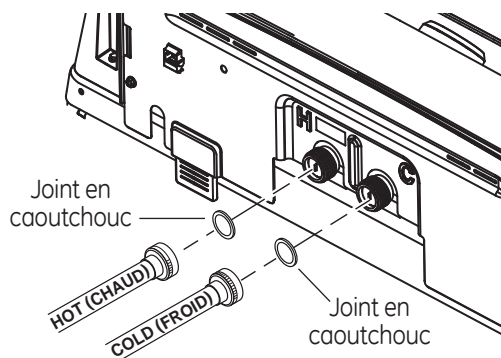


4 RACCORDEMENT DES FLEXIBLES D'EAU À LA LAVEUSE

Retirez le cordon d'alimentation de son logement avant d'installer les flexibles d'alimentation d'eau. S'il n'est pas présent, installez un joint en caoutchouc dans un des raccords du flexible d'eau chaude. Vissez le flexible d'eau chaude sur le raccord d'eau chaude (repère "H") qui se trouve dans la partie supérieure du dos de la machine. Serrez à la main, puis utilisez des pinces pour serrer les flexibles de 1/8 à 1/4 de tour supplémentaire.

S'il n'est pas présent, installez un joint en caoutchouc dans un des raccords du flexible d'eau froide (repère "C"). Vissez le flexible d'eau froide sur le raccord d'eau froide (repère "C") qui se trouve dans la partie supérieure du dos de la machine. Serrez à la main, puis utilisez des pinces pour serrer les flexibles de 1/8 à 1/4 de tour supplémentaire.

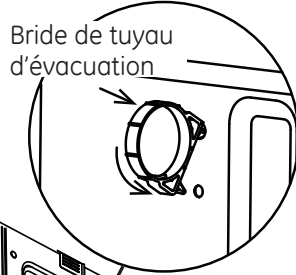
Déplacez la machine pour qu'elle se trouve aussi près que possible de son emplacement définitif, tout en vous laissant assez de place pour raccorder les flexibles d'alimentation d'eau, le renvoi et l'alimentation électrique.



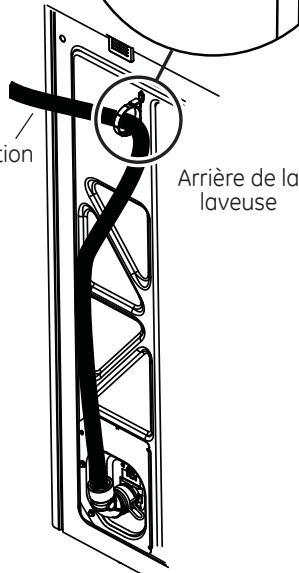
Instructions d'installation

6 RACCORDEMENT AU DRAIN

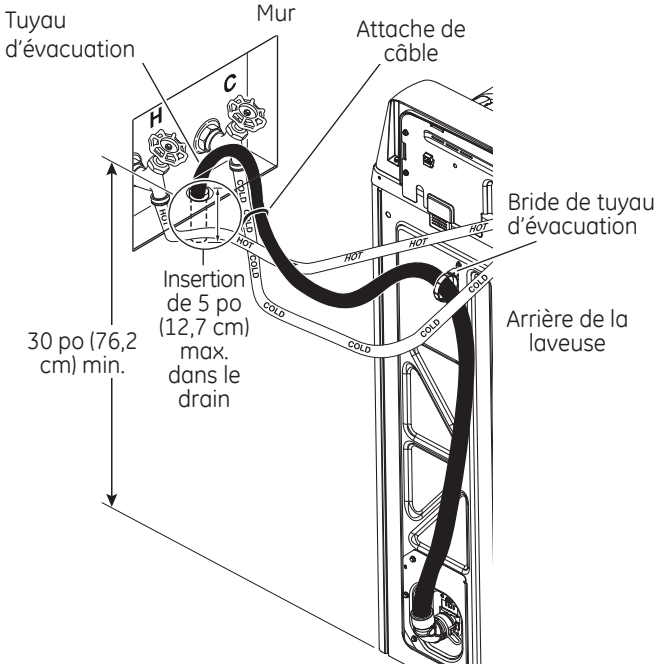
Posez la bride du tuyau d'évacuation sur le panneau arrière de la laveuse. Faites passer le tuyau d'évacuation dans la bride et insérez son bout libre dans l'orifice du drain de votre domicile.



REMARQUE - Si la longueur du tuyau d'évacuation se révèle insuffisante, commandez la trousse de rallonge, n° de pièce GE Appliances **WH49X301**. Branchez la rallonge de tuyau d'évacuation faisant partie de la trousse au tuyau d'évacuation d'origine à l'aide du collier prévu à cette fin.



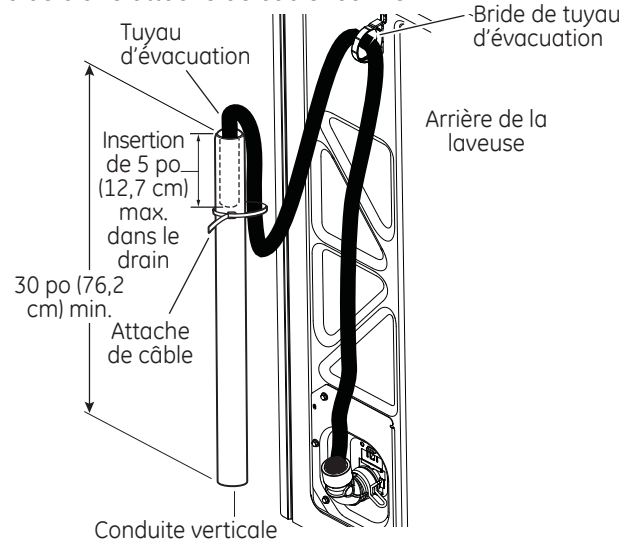
Si les robinets d'admission d'eau et le drain sont intégrés dans le mur, attachez le tuyau d'évacuation à l'un des flexibles d'alimentation en eau à l'aide de l'attache de câble fournie.



REMARQUE : Si vous mettez le tuyau de vidange trop bas, le tuyau d'égout peut causer un effet de siphon. On ne peut pas mettre plus que 12,7 cm (5 po) de tuyau dans le tuyau d'égout. Il doit y avoir un espace d'air autour du tuyau de vidange. Un ajustement trop serré peut également produire un effet de siphon. Attache de câble

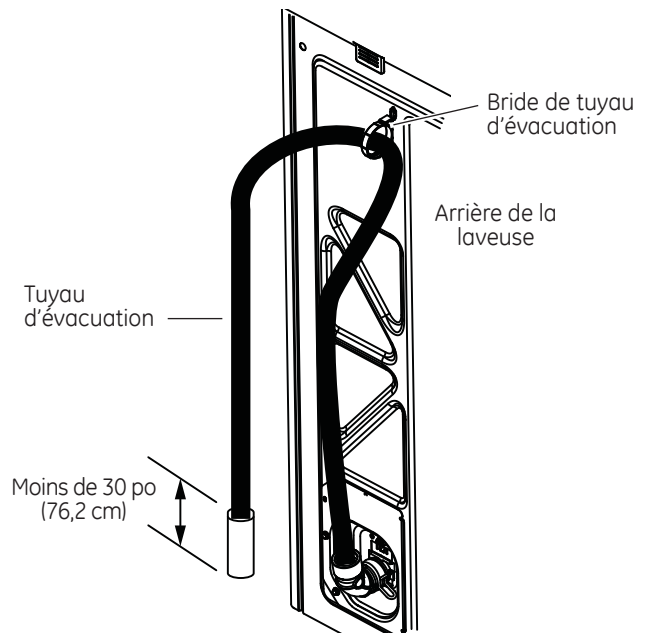
6 RACCORDEMENT AU DRAIN (suite)

Si votre drain se présente comme une conduite verticale, attachez le tuyau d'évacuation à cette conduite à l'aide d'une attache de câble fournie



REMARQUE : Si vous mettez le tuyau de vidange trop bas, le tuyau d'égout peut causer un effet de siphon. On ne peut pas mettre plus que 12,7 cm (5 po) de tuyau dans le tuyau d'égout. Il doit y avoir un espace d'air autour du tuyau de vidange. Un ajustement trop serré peut également produire un effet de siphon. Attache de câble

Si la hauteur d'évacuation du drain ne satisfait pas le 30 po (76,2 cm) minimum requis, le bout du tuyau d'évacuation doit être fixé dans l'orifice du drain de votre domicile par un installateur et une coupure antirefoulement doit entourer le tuyau pour prévenir l'effet de siphon.



REMARQUE : Si vous mettez le tuyau de vidange trop bas, le tuyau d'égout peut causer un effet de siphon. On ne peut pas mettre plus que 12,7 cm (5 po) de tuyau dans le tuyau d'égout. Il doit y avoir un espace d'air autour du tuyau de vidange. Un ajustement trop serré peut également produire un effet de siphon. Attache de câble

Instructions d'installation

EXIGENCES ÉLECTRIQUES

⚠ AVERTISSEMENT - Risque d'électrocution

Brancher à une prise de courant à 3 broches mise à la terre.

NE PAS retirer la broche de contact de mise à la terre.

N'UTILISEZ pas de rallonge électrique.

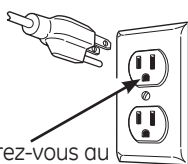
N'UTILISEZ pas d'adaptateur de prise.

Le non-respect de ces instructions pourrait entraîner un décès, un incendie ou un choc électrique.

CIRCUIT - Individuel, correctement polarisé et mis à la terre, disjoncteur ou fusible temporisé de 15 ou 20 ampères.

ALIMENTATION ÉLECTRIQUE - 2 fils plus la mise à la terre, 120 volts, monophasé, 60 Hz, courant alternatif.

PRISE ÉLECTRIQUE - Prise à 3 voies correctement mise à la terre située de façon à ce que le cordon soit accessible lorsque la laveuse est installée dans sa position définitive. Si la prise n'est qu'à 2 voies, il est de la responsabilité du propriétaire de demander à un électricien agréé de la remplacer par une prise à 3 voies correctement mise à la terre.



Assurez-vous au préalable qu'une mise à la terre existe bien et qu'elle fonctionne correctement.

La laveuse doit être correctement mise à la terre conformément aux codes locaux de l'électricité, ou dans l'absence de codes locaux, à la dernière édition du Code Électrique National, ANSI/NFPA NO. 70 ou au Code Électrique Canadien CSA C22.1. Demandez à un électricien agréé de vérifier la connexion si vous n'êtes pas certain que la laveuse est correctement mise à la terre.

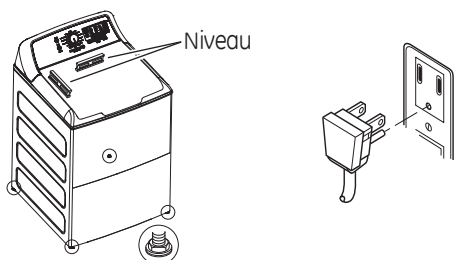
7 BRANCHEMENT DE L'ALIMENTATION ÉLECTRIQUE ET INSTALLATION

Vérifiez que le grand bouton de commande (sur certains modèles) de la machine à laver se trouve en position OFF (arrêt).

Brancher la fiche du cordon d'alimentation dans une prise murale de 115 V, 15/20 ampères. Placez la machine à laver à son emplacement définitif. Placez un niveau sur le bord latéral supérieur de la machine à laver. Ajustez les quatre pattes de mise à niveau jusqu'à ce que la machine à laver soit au niveau de gauche à droite et d'avant en arrière. Enlevez le niveau.

Ouvrez le couvercle du tambour. Déposer et mettre au rebut à remous matériaux d'expédition (voir l'étape 1).

Enlevez la feuille de plastique qui recouvre le panneau de commande.



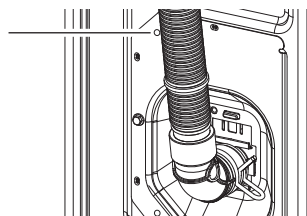
INSTRUCTIONS DE MISE À LA TERRE

Cet appareil doit être mis à la terre. Dans l'éventualité d'un mal fonctionnement ou d'une panne, la mise à la terre réduit le risque de choc électrique en procurant un circuit de moindre résistance au courant électrique. Cet appareil comporte un cordon doté d'un conducteur de mise à la terre de l'appareillage et d'une fiche de mise à la terre. La fiche doit être branchée dans une prise compatible correctement installée et mise à la terre conformément à tous les codes et règlements en vigueur.

⚠ **AVERTISSEMENT** Une connexion incorrecte du conducteur de mise à la terre de l'appareillage peut poser un risque de choc électrique. Consultez un électricien ou réparateur qualifié si vous doutez que l'appareil soit correctement mis à la terre. **NE** modifiez **PAS** la fiche du cordon d'alimentation. Si elle ne s'insère pas dans la prise, demandez à un électricien agréé de poser une prise appropriée.

Si les codes locaux l'exigent, un fil de terre extérieur en cuivre de calibre 18 ou supérieur (non fourni) peut être ajouté. Fixer à l'enceinte de la laveuse à l'aide d'une vis à tôle #10-16 x 1/2 po (dans toute bonne quincaillerie) à l'arrière de la laveuse, comme illustré.

Attacher le fil de terre et sa vis (obtenir localement)



Arrière de la laveuse

Installation en maison mobile :

L'installation doit satisfaire les normes suivantes : Standard for Mobile Homes, ANSI A119.1 et National Mobile Home Construction and Safety Standards Act of 1974 (PL93-383).

LISTE FINALE

Avant de mettre en marche la laveuse, vérifiez que tout est en ordre :



- L'alimentation principale de courant est branchée.
- La laveuse est branchée à la prise.
- Les robinets d'eau sont ouverts.
- L'appareil est bien horizontal et les quatre pattes de nivellement reposent fermement sur le plancher.
- La mousse et le carton d'emballage est retirée.
- Le tuyau de vidange est bien attaché.
- Le robinet, les rondelles et le tuyau de vidange ne fuient pas.

Faites marcher la laveuse pendant un cycle complet.

- Vérifiez qu'il n'y a aucune fuite d'eau et qu'elle fonctionne bien.
- Rangez ces instructions dans un emplacement proche de la laveuse pour référence future.

Avant de contacter un service de dépannage...Conseils de dépannage.

Économisez du temps et de l'argent! Vérifiez les tableaux des pages qui suivent, ou consultez www.electromenagersGE.ca. Vous pourriez vous éviter un appel.

EAU	Causes possibles	Solutions
Petite quantité d'eau résiduelle dans le distributeur (certains modèles) à la fin du cycle	Fonctionnement normal du distributeur	Il est normal qu'une petite quantité d'eau demeure dans le distributeur après le cycle.
Brève pulvérisation et délai après l'appui sur Start (départ)	Le couvercle a été ouvert et fermé entre la sélection du programme et le départ	Ceci est normal. Consultez <i>SÉQUENCE DE DÉMARRAGE</i> dans la section <i>Consignes de sécurité</i> .
Le niveau de l'eau semble bas	Ceci est normal	L'eau peut ne pas recouvrir tout le linge. Ceci est normal pour cette laveuse haute efficacité.
Faible débit d'eau	Les filtres des robinets d'eau sont obstrués	Fermez l'alimentation d'eau et débranchez les flexibles d'eau de la partie supérieure arrière de la laveuse et des robinets. Nettoyez les deux grilles des flexibles (s'ils sont présents) ainsi que les grilles dans l'appareil à l'aide d'une brosse ou d'un cure-dents. Raccordez de nouveau les boyaux et rétablissez l'alimentation en eau. Assurez-vous de l'absence de fuites aux connexions. Assurez-vous de l'absence de fuites aux connexions.
L'eau est siphonné de la laveuse	Le tuyau de vidange est trop bas ou le tuyau est trop enfoncé dans la conduite verticale	La hauteur du tuyau d'évacuation doit dépasser 30 po (76,2 cm) à un moment entre l'arrière de la laveuse et le tuyau de vidange. Utilisez une bride anti-siphonnage. Voir les <i>Instructions d'installation</i> .
Trop de mousse	Eau douce	Essayez d'utiliser moins de détergent.
	Trop de détergent	Dosez soigneusement votre détergent. Vous pouvez utiliser moins de détergent si votre eau est douce, si votre linge est moins volumineux ou s'il est légèrement sale.
	Type de détergent	Passez à un détergent haute efficacité tels que  .
Fuites d'eau	Type de détergent	Passez à un détergent haute efficacité tels que  .
	Utilisation de trop de détergent dans la laveuse	Utilisez moins de détergent. Vous pouvez utiliser moins de détergent si votre eau est douce, si votre linge est moins volumineux ou s'il est légèrement sale.
	Les boyaux de remplissage ou d'évacuation sont mal raccordés	Vérifiez que les raccordements des boyaux sont bien serrés aux robinets et que des rondelles en caoutchouc sont installées. Assurez-vous que l'extrémité du boyau de vidange est correctement insérée et fixée au tuyau d'évacuation.
	Le tuyau d'évacuation de votre domicile est peut-être bouché	Vérifiez la plomberie de votre domicile. Il vous faut peut-être appeler un plombier.
	Le tuyau d'évacuation frotte contre le mur	Veillez à ce que le tuyau d'évacuation ne soit pas en contact avec le mur. Cela pourrait entraîner une usure excessive du tuyau.
	Pression constante de l'eau dans les boyaux de remplissage à la source d'alimentation en eau	Serrez les raccords des boyaux aux robinets. Vérifiez l'état des boyaux de remplissage. Ils devraient être remplacés tous les 5 ans.
	La température de l'eau ne semble pas bonne	Une température d'eau plus froide permet une meilleure efficacité énergétique
L'alimentation en eau est coupée ou mal raccordée		Ouvrez complètement les robinets d'eau chaude et d'eau froide, puis vérifiez que les boyaux sont raccordés aux bons robinets. REMARQUE : Les robinets d'alimentation en eau sont identifiés par H (chaud) et C (froid).
Les filtres des robinets d'eau sont obstrués		Fermez l'alimentation en eau et débranchez les flexibles d'eau de la partie supérieure arrière de la laveuse et des robinets. Nettoyez les deux grilles des flexibles (s'ils sont présents) ainsi que les grilles dans l'appareil à l'aide d'une brosse ou d'un cure-dents. Raccordez de nouveau les boyaux et rétablissez l'alimentation en eau. Assurez-vous de l'absence de fuites aux connexions.
De l'eau froide sort quand Hot (chaud) est sélectionné		Ceci est normal. La laveuse détecte la température de l'eau (sur certains modèles) et l'optimise pour de meilleurs résultats. De l'eau froide est ajoutée régulièrement lorsque hot (chaud) est sélectionné.
Le chauffe-eau de votre domicile est mal réglé		Assurez-vous que le chauffe-eau de votre domicile fournit de l'eau de 120 à 140 °F (48 à 60 °C).
L'eau est vidangée avant que le programme ne soit terminé		Couvercle soulevé ou programme interrompu pendant plus de 12 heures
L'eau ne se vidange pas	Le tuyau d'évacuation est tordu ou mal raccordé	Redressez le tuyau d'évacuation et vérifiez que la laveuse ne repose pas dessus. Le haut du tuyau de vidange doit se trouver à moins de 8 pi (2,44 m) du sol.
La laveuse tourne et s'interrompt au début des programmes	Ceci est normal	La laveuse détecte le volume de linge.
La laveuse s'interrompt pendant le programme de lavage	L'option Soak (trempage) a été sélectionné	Ceci est normal. La laveuse alterne entre le brassage et le trempage pendant ces programmes pour un linge plus propre, mais moins usé.
	Ceci est normal	Plusieurs cycles intègrent des séries de trempages durant la période de brassage afin de nettoyer vos vêtements avec moins d'usure.

Avant de contacter un service de dépannage...Conseils de dépannage.

FONCTIONNEMENT	Causes possibles	Solutions
<i>Poudre résiduelle dans le distributeur ou obstruction des distributeurs (certains modèles)</i>	Eau de lavage trop froide ou faible pression d'eau au domicile	Sélectionnez une température de lavage plus chaude si possible afin d'augmenter la dissolution du détergent ou utilisez du détergent liquide. Assurez-vous que les capuchons des siphons sont exempts de débris et bien poussés en position. Retirez et nettoyez le tiroir du distributeur si une obstruction survient.
<i>Les additifs pour lessive sont distribués trop tôt (distributeurs sur certains modèles)</i>	Remplissage excessif des distributeurs	Ne remplissez pas trop le distributeur et n'y ajoutez pas d'eau. Sélectionnez l'option Deep Rinse (<i>Rinçage en profondeur</i>) lorsque vous utilisez un assouplissant.
<i>La laveuse s'interrompt pendant l'essorage</i>	Ceci est normal	La laveuse peut s'interrompre pendant l'essorage pour extraire l'eau savonneuse de manière plus efficace.
<i>La laveuse ne démarre pas</i>	La laveuse est débranchée	Vérifiez que le cordon d'alimentation est branché sur une prise sous tension.
	L'alimentation en eau est coupée	Ouvrez complètement les robinets d'eau chaude et d'eau froide.
	Le couvercle est ouvert : le dispositif de sécurité empêche le brassage et l'essorage lorsque le couvercle est ouvert	Fermez le couvercle et appuyez sur Start (départ).
	Le disjoncteur s'est déclenché/ le fusible a grillé	Vérifiez les disjoncteurs/fusibles de votre domicile. Remplacez les fusibles ou réenclenchez le disjoncteur. La laveuse doit être branchée sur une prise séparée.
	Les composants électroniques doivent être réinitialisés	Débranchez la laveuse, attendez 2 minutes, rebranchez-la et appuyez sur Start (départ).
	Vous n'avez pas appuyé sur Start (départ)	Appuyez sur Start (départ).
<i>Les capsules de détergent ne se dissolvent pas</i>	Des capsules de détergent ont été placées dans le distributeur	Les capsules de détergent ne doivent pas être utilisées dans les distributeurs. Elles doivent uniquement être ajoutées directement dans le tambour, conformément aux instructions du fabricant.
<i>Modification inexplicable du temps et/ou des réglages</i>	Modification des options (certains modèles)	Ceci est normal. Plusieurs options changeront d'autres options pour optimiser la performance de la laveuse.
<i>Le tambour ne semble pas attaché</i>	Le tambour bouge ou tourne librement	Le tambour de la laveuse ne possède pas un frein traditionnel. Le tambour tournera librement. Ceci est normal.
PERFORMANCE	Causes possibles	Solutions
<i>Taches de couleur</i>	Utilisation inappropriée de l'assouplissant	Lisez l'étiquette de l'assouplissant et suivez les instructions pour l'utilisation avec un distributeur. Assurez-vous d'avoir sélectionné l'option de Deep Rinse (<i>rinçage en profondeur</i>). Appliquez un détachant et relavez le linge en effectuant un Speed Wash (<i>lavage rapide</i>) avant le séchage.
	Linge qui a déteint	Séparez les blancs ou couleurs claires des couleurs foncées.
<i>Linge terni ou jauni</i>	Quantité de détergent	Veillez à suivre les instructions du fabricant du détergent.
	Eau dure	Utilisez un produit anticalcaire ou installez un adoucisseur d'eau.
	L'eau n'est pas assez chaude	Assurez-vous que le chauffe-eau de votre domicile fournit de l'eau de 120 à 140 °F (48 à 60 °C).
	La laveuse est trop chargée	Chargez le linge sans l'entasser et sans dépasser la rangée supérieure de trous du tambour. Pour de meilleurs résultats, chargez le linge en le positionnant sur le tour extérieur du tambour.
	Linge qui a déteint	Triez le linge par couleur. Si l'étiquette précise de laver un article séparément, il se peut que les couleurs déteignent.
<i>Charpie ou résidus le linge</i>	Le linge sèche à l'air libre ou sur corde	Si vous ne séchez pas votre linge en machine, il se peut qu'il retienne plus de charpie.
	Mauvais tri du linge	Séparez les articles qui produisent de la charpie de ceux qui l'attirent.
	Lavage trop long	Lavez les petites charges moins longtemps en utilisant le réglage Light Soil (<i>Saleté légère</i>).
	Le détergent ne se dissout pas	Relavez, la prochaine fois : Essayez un détergent liquide ; Utilisez une température d'eau plus chaude.
	Surcharge	Chargez le linge dans le tambour sans l'entasser. Pour de meilleurs résultats, chargez le linge en le positionnant sur le tour extérieur du tambour.
	Utilisation inappropriée de l'assouplissant	Lisez l'étiquette de l'assouplissant et suivez les instructions pour l'utilisation avec un distributeur. Assurez-vous d'avoir sélectionné l'option de Deep Rinse (<i>rinçage en profondeur</i>).
<i>Linge trop mouillé</i>	Aucune sélection d'essorage	Sélectionnez une option d'essorage.
	Sélection de programme inapproprié	Assurez-vous que le programme sélectionné correspond à votre type de linge. Certains tissus semblent plus mouillés lorsqu'ils sont rincés à l'eau froide.
	La charge est déséquilibrée	Répartissez le linge dans la laveuse et lancez un programme Drain & Spin (drainer et essorer).

PERFORMANCE (suite)	Causes possibles	Solutions
<i>Une lumière clignotante de Spin ou de la lumière de Spin sur en fin de cycle</i>	Une condition de déséquilibre est détectée par la laveuse	Laisser le programme se poursuivre et la finition. La charge est plus humide que normalement à la fin du cycle, répartissez la charge uniformément dans le panier de lavage et commencez un cycle de Drain & Spin (drainer et essorer).
<i>Boulochage</i>	Usure normale des mélanges à base de polycoton et des tissus pelucheux	Même si ce problème n'est pas dû à la laveuse, vous pouvez atténuer le boulochage en lavant les vêtements sur leur envers.
<i>Accrocs, trous, déchirures, fentes ou usure excessive</i>	Épingles, boutons-pression, crochets, boutons aux coins tranchants, boucles de ceinture, fermetures à glissière et objets pointus laissés dans les poches	Fermez les boutons-pression, crochets et fermetures à glissière et boutonnez les vêtements. Retirez les objets amovibles comme les épingles, le contenu des poches et les boutons aux coins tranchants. Retournez les tricots (dont les fils se tirent plus facilement).
	Agent chloré de blanchiment non dilué	Vérifiez le dosage recommandé dans les instructions sur l'emballage. N'ajoutez jamais d'agent de blanchiment non dilué lors du lavage et ne le laissez pas entrer en contact avec le linge.
	Produits chimiques comme le colorant ou le décolorant capillaires, la solution à permanente	Rincez les articles qui peuvent contenir des produits chimiques avant de les laver. Effectuez un Speed Wash (lavage rapide) avec l'option Extra Rinse (rinçage supplémentaire).
<i>Plis</i>	Programmes de lavage et de séchage inappropriés	Faites correspondre le programme sélectionné au type de linge à laver (particulièrement pour le linge à entretien facile).
	Triage inadéquat	Évitez de mélanger les tissus lourds (comme les jeans) avec les légers (chemisiers). Ajoutez un assouplissant.
	Surcharge	Chargez le linge dans le tambour sans l'entasser.
	Lavages répétés dans une eau trop chaude	Lavez le linge à l'eau tiède ou froide.
SONS	Causes possibles	Motif
<i>Cliquetis</i>	Le mécanisme d'embrayage s'enclenche et se désenclenche	Le système d'entraînement embraye au début du brassage et débraye à la fin. Cela se produit plusieurs fois pendant le lavage.
<i>Bruissement</i>	Le moteur électrique change de direction	Le son produit est celui du moteur qui tourne dans un sens, puis dans l'autre pour laver votre linge.
<i>Cliquetis derrière le tableau de commande lors du remplissage</i>	Le moteur accélère/ralentit de la température	Deux robinets mélangent l'eau chaude et l'eau froide. Le cliquetis se produit lorsque l'un des robinets s'ouvre ou se ferme pour augmenter ou diminuer la température de l'eau de remplissage.
<i>Le débit de l'eau change lors du remplissage</i>	Le moteur accélère/ralentit de la température	Deux robinets mélangent l'eau chaude et l'eau froide. Le débit change lorsque l'un des robinets s'ouvre ou se ferme pour augmenter ou diminuer la température de l'eau de remplissage.
<i>Bruits de moteur durant l'essorage</i>	Le moteur accélère/ralentit lors de l'essorage	Le moteur accélère par paliers lors de l'essorage. Lorsque l'essorage est terminé, il tourne librement jusqu'à ce qu'il s'arrête.
<i>Bourdonnement</i>	Pompe de vidange de l'eau	La pompe de vidange émet un bourdonnement lorsqu'elle aspire l'eau après le brassage et continue jusqu'à ce que l'essorage soit terminé.
	Moteur d'entraînement	Le moteur d'entraînement émettra un bourdonnement durant les phases de lavage et d'essorage du cycle.
<i>Glougloutement</i>	Pompe de vidange de l'eau	Lorsque la pompe commence à aspirer de l'air, elle produit un glougloutement. La laveuse doit alors commencer à essorer et le son continue jusqu'à ce que l'essorage soit terminé.
<i>Bruissement de l'eau</i>	Processus de lavage	Il est normal que l'eau bruisse lorsque le brassage est en cours, particulièrement avec les plus petits volumes de linge.
<i>La laveuse bouge/se balance</i>	Les pieds de nivellement de la laveuse ne sont pas de niveau	Pour mettre la laveuse de niveau, réglez les pieds de mise à niveau en tournant chaque pied individuellement dans le sens approprié pour le lever ou le baisser.
<i>Bruit de « grincement »</i>	La laveuse n'est pas de niveau et elle frotte contre une armoire	Pour mettre la laveuse de niveau, réglez les pieds de mise à niveau en tournant chaque pied individuellement dans le sens approprié pour le lever ou le baisser.

Laveuse sons qui peut être différente de votre laveuse avant :

Les cliquetis, de l'eau qui coule, les bruits d'embrayage suivies par des pauses, et les sons de bourdonnement électriques font partie du cycle de lavage normal.

Pour écouter et regarder des vidéos de fonctionnement normal de la laveuse, s'il vous plaît aller à <http://products.geappliances.com/appliance/gea-support-search-content?contentid=23061> ou scannez le QR code. **NOTE** : Le site est en anglais seulement, mais les vidéos sont encore utiles à écouter les sons que vous pouvez entendre.



Garantie de la laveuse GE Appliances.

Toutes les réparations sous garantie sont effectuées par nos Centres de réparation ou par nos réparateurs agréés. Pour faire la demande d'une réparation, appelez au **1-800-561-3344**. Veuillez avoir les numéros de série et de modèle de votre appareil à portée de main lorsque vous appelez pour obtenir un service.

Agrafez votre facture ici.
Une preuve de la date d'achat d'origine est requise pour bénéficier du service de réparation sous garantie.

Pour le diagnostic, la réparation de votre appareil peut nécessiter l'utilisation du port de données embarqué. Celui-ci permet au technicien de réparation GE Appliances de diagnostiquer rapidement des problèmes avec votre appareil. Il permet également à GE Appliances d'améliorer ses produits en fournissant à ces derniers des informations sur votre appareil. Si vous ne voulez pas que les données de votre appareil soient envoyées à GE Appliances, veuillez demander à votre technicien de NE PAS soumettre les données à GE Appliances pendant la réparation.

Pendant la période de : Nous remplacerons :

Un an

À compter de la date d'achat d'origine

Toute pièce défectueuse en raison d'un vice de matériau ou de fabrication. Au cours de cette **garantie limitée d'un an**, nous fournirons également, **sans frais**, les pièces et la main-d'œuvre pour remplacer la pièce défectueuse.

Dix ans

À compter de la date d'achat d'origine

Le moteur, si celui-ci se révèle défectueux en raison d'un vice de matériaux ou de fabrication. Pendant cette **garantie limitée complémentaire de neuf ans**, vous serez responsable des frais de main-d'œuvre et de service associés.

Ce qui n'est pas couvert :

- Toute visite à votre domicile pour vous expliquer le fonctionnement de l'appareil.
- L'installation, la livraison ou l'entretien inadéquats de l'appareil.
- Toute défectuosité du produit attribuable à une utilisation abusive ou inadéquate, s'il a été utilisé à toute autre fin que celle pour laquelle il a été conçu, ou s'il a été utilisé à des fins commerciales.
- Le remplacement des fusibles ou le réenclenchement des disjoncteurs de votre domicile.
- Les produits qui ne sont pas défectueux ou brisés, ou qui fonctionnent tel que décrit dans le Manuel de l'utilisateur.
- Tout dommage au produit attribuable à un accident, un incendie, une inondation ou une catastrophe naturelle.
- Tout dommage accessoire ou indirect, causé par des défaillances possibles de l'appareil.
- Les défectuosités ou les dommages causés par une utilisation de l'appareil à des températures situées sous le point de congélation.
- Tout dommage causé après la livraison.
- Tout produit auquel il n'est pas possible d'accéder pour effectuer les réparations nécessaires.

EXCLUSION DES GARANTIES IMPLICITES : votre seul et unique recours est de faire réparer le produit dans le cadre de cette garantie limitée. Toute garantie implicite, incluant la garantie de qualité marchande ou d'adaptabilité du produit à un usage particulier, est limitée à un an ou à la période la plus courte autorisée par la loi.

Cette garantie est offerte à l'acheteur initial, ainsi qu'à tout propriétaire subséquent d'un produit acheté au Canada en vue d'une utilisation domestique au Canada. Si le produit se situe dans une zone où aucun réparateur agréé par GE Appliances n'est disponible, vous devrez peut-être assumer les frais de déplacement de celui-ci ou apporter le produit à un atelier de réparation agréé par GE Appliances.

Si vous avez besoin de pièces de rechange, nous vous recommandons de n'utiliser que des pièces d'origine spécifiées de GE Appliances. Ces pièces ont été conçues pour fonctionner avec votre appareil et ont été fabriquées et testées afin de répondre aux spécifications de GE Appliances.

Dans certains États ou province, il est interdit d'exclure ou de limiter les dommages indirects ou accessoires. Il est alors possible que les limitations ou exclusions ci-dessus ne s'appliquent pas dans votre cas. La présente garantie vous confère des droits juridiques spécifiques. Vous pouvez bénéficier d'autres droits, qui varient d'un État ou d'une province à l'autre. Pour connaître les droits dont vous bénéficiez, communiquez avec le bureau des Relations avec les consommateurs de votre région ou de votre province.

Garant : MC Commercial, Burlington, ON, L7R 5B6

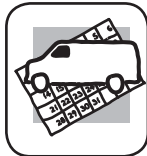
Service à la clientèle



Site Web appareils GE Appliances

Aux É.-U.: www.electromenagersge.ca

Vous avez une question ou vous avez besoin d'aide pour votre appareil électroménager? Visitez notre site Web consacré aux appareils électroménagers GE Appliances, et ce 24 heures par jour, tous les jours de l'année! Pour des raisons de commodité et pour accélérer le service, vous pouvez maintenant télécharger les manuels du propriétaire, commander des pièces et même programmer les visites de service en ligne. **Au Canada: www.GEAppliances.ca**



Service de réparation

Aux É.-U.: www.electromenagersge.ca

Un service de réparation expert GE Appliances se trouve à quelques pas de chez vous. Visitez notre site et programmez, à votre convenance, une visite de service à n'importe quel jour de l'année! Ou composez le GE Appliances 800.GE.CARES (800.432.2737) durant les heures normales de bureau.

Au Canada, composez le 1.800.561.3344



Studio de conception universel

Aux É.-U.: www.electromenagersge.ca

GE Appliances appuie le concept de design universel—des produits, des services et des environnements qui peuvent être utilisés par des personnes de tous âges, tailles et capacités. Nous reconnaissons le besoin de concevoir des produits pour un vaste éventail d'aptitudes et déficiences mentales et physiques. Visitez notre site Web aujourd'hui pour obtenir plus de renseignements sur l'application du design universel par GE Appliances, y compris des conceptions de cuisine pour les personnes handicapées. Dans le cas de personnes malentendantes, veuillez composer le 800.TDD.GEAC (800.833.4322).

Au Canada, contactez : Manager, Consumer Relations, MC Commercial
Suite 310, 1 Factory Lane
Moncton, N.B. E1C 9M3

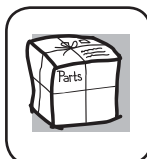


Prolongation de garantie

Aux É.-U.: www.electromenagersge.ca

Achetez un contrat d'entretien GE Appliances et informez-vous des rabais spéciaux en vigueur pendant toute la durée de votre garantie. Vous pouvez vous le procurer en ligne ou en composant le GE Appliances 800.GE.CARES (800.432.2737) durant les heures normales de bureau. Les services à domicile GE Appliances seront toujours disponibles après l'expiration de la garantie.

Au Canada, veuillez consulter votre annuaire pour trouver un fournisseur de garantie prolongée local.



Pièces et accessoires

Aux É.-U.: www.electromenagersge.ca

Les personnes ayant les compétences requises pour réparer elles-mêmes leurs appareils peuvent recevoir directement à la maison des pièces ou accessoires (les cartes VISA, MasterCard et Discover sont acceptées). Commandez en ligne dès aujourd'hui, 24 heures sur 24 tous les jours, ou en téléphonant au 800.626.2002 durant les heures normales de bureau.

Les instructions contenues dans le présent manuel comportent des procédures que tout utilisateur peut effectuer. Les autres types de réparation doivent généralement être confiés à un technicien qualifié. Utilisez de la prudence: une réparation ou un entretien mal effectués peuvent rendre l'utilisation de l'appareil dangereuse.

Au Canada, veuillez consulter votre annuaire pour trouver un distributeur local de pièces GE Appliances. Autrement, appelez-nous au 800.661.1616.



Communiquez avec nous

Aux É.-U.: www.electromenagersge.ca

Si vous n'êtes pas satisfait du service après-vente de GE Appliances, communiquez avec nous sur notre site Web en fournissant tous les détails et votre numéro de téléphone, ou écrivez à :

General Manager, Customer Relations
GE Appliances, Appliance Park
Louisville, KY 40225

Au Canada: www.GEAppliances.ca, ou écrivez à :

Director, Consumer Relations, MC Commercial
Suite 310, 1 Factory Lane
Moncton, N.B. E1C 9M3



Enregistrez votre électroménager

Aux É.-U.: www.electromenagersge.ca

Enregistrez votre nouvel appareil en ligne au moment qui vous convient le mieux! L'enregistrement de votre produit dans les délais prescrits permet une meilleure communication et un service rapide, selon les modalités de votre garantie, si besoin est. Vous pouvez également envoyer par courrier la carte d'enregistrement pré-imprimée qui se trouve dans l'emballage de votre appareil. **Au Canada: www.GEAppliances.ca**



LAVADORAS

INSTRUCCIONES DE SEGURIDAD2

INSTRUCCIONES DE OPERACIÓN

Controls4

Carga9

Funciones10

CUIDADO Y LIMPIEZA 11

INSTRUCCIONES DE INSTALACIÓN12

CONSEJOS PARA LA SOLUCIÓN DE PROBLEMAS17

ATENCIÓN AL CLIENTE

Garantía (EE.UU.) 20

Soporte al consumidor22

MANUAL DEL PROPIETARIO E INSTALACIÓN

GTW680

Escriba el número de modelo y de serie aquí:

N.º de modelo # _____

N.º de serie # _____

Puede encontrarlos bajo la puerta de la lavadora.

GOOG

INFORMACIÓN DE SEGURIDAD IMPORTANTE. LEA TODAS LAS INSTRUCCIONES ANTES DE USAR.

INSTRUCCIONES IMPORTANTES DE SEGURIDAD



ADVERTENCIA

Para reducir el riesgo de muerte, incendio, explosión, descargas eléctricas o lesiones sobre las personas al usar su electrodoméstico, siga las precauciones básicas, incluyendo lo siguiente

- Lea todas las instrucciones antes de usar este electrodoméstico.
- **NO** lave ni seque prendas que en forma previa hayan sido secadas, lavadas, mojadas o manchadas con gasolina, solventes de limpieza en seco, u otras sustancias inflamables o explosivas, ya que despiden vapores que se podrían encender o explotar.
- **NO** agregue gasolina, solventes de limpieza en seco, u otras sustancias inflamables o explosivas al agua de lavado. Estas sustancias despiden vapores que se podrían prender fuego o explotar.
- Bajo ciertas condiciones, se podrá producir gas de hidrógeno en un sistema de agua caliente que no fue usado por 2 semanas o más. EL GAS DE HIDRÓGENO ES UN EXPLOSIVO. Si el sistema de agua caliente no fue usado por dicho período, antes de usar una lavadora, abra todos los grifos de agua caliente y deje que corra agua de cada uno durante varios minutos. Esto liberará cualquier gas de hidrógeno acumulado. Debido a que el gas es inflamable, **NO** fume ni use una llama abierta durante este proceso.
- **NO** permita que los niños jueguen sobre o dentro de este electrodoméstico. Cuando el electrodoméstico se use cerca de niños, será necesario supervisarlos de cerca. Antes de dejar la lavadora fuera de servicio o de deshacerse de ésta, quite la puerta o la tapa. Si no se siguen estas instrucciones, se podrá producir la muerte o lesiones personales.
- **NO** introduzca las manos en el electrodoméstico si el tambor o agitador se encuentra en movimiento a fin de evitar enredos accidentales.
- **NO** instale ni guarde este electrodoméstico donde quede expuesto a los factores climáticos.
- **NO** manipule indebidamente los controles, reparar ni reemplazar cualquier parte del electrodoméstico o realizar cualquier otro trabajo técnico, a menos que esto sea específicamente recomendado en las instrucciones de mantenimiento del usuario o en instrucciones publicadas sobre reparaciones del usuario, que entienda y para las cuales posea las destrezas necesarias.
- **NO** intente usar este electrodoméstico si se encuentra dañado, funcionando mal, parcialmente desensamblado, o si tiene partes faltantes o rotas, incluyendo un cable o enchufe dañado.
- Desenchufe el electrodoméstico o apague el disyuntor antes de realizar el servicio técnico. Presionar el botón **Power** (*Encendido*) **NO** desconecta el encendido.
- Para acceder a las instrucciones de conexión a tierra, lea los "REQUISITOS ELÉCTRICOS" ubicados en las Instrucciones de Instalación.

GUARDE ESTAS INSTRUCCIONES

INSTALACIÓN CORRECTA

La lavadora se debe instalar y colocar correctamente de acuerdo con las instrucciones de instalación, antes de utilizarla.

- Asegúrese de que la manguera de agua caliente esté conectada a la válvula "H" y que la manguera de agua fría esté conectada a la válvula "C".
- Instale o almacene la lavadora en un lugar donde no esté expuesta a temperaturas bajo cero ni a las inclemencias climáticas, ya que esto puede provocar daños irreversibles e invalidar la garantía.
- Conecte correctamente a tierra la lavadora de conformidad con todos los códigos y ordenanzas regulatorias. Siga la información de Instrucciones de instalación.
- Se recomienda una extensión opcional de la manguera de drenaje para descargas en alturas de 60" a 96".
- GE Appliances recomienda enfáticamente el uso de piezas especificadas de fábrica. A continuación se encuentra una lista de mangueras de fábrica disponibles para la compra. Estas mangueras están fabricadas y probadas para cumplir con las especificaciones de GE Appliances.
- GE Appliances recomienda enfáticamente el uso de mangueras nuevas de suministro de agua. Las mangueras se desgastan con el tiempo y deben reemplazarse cada 5 años para reducir el riesgo de fallas en las mangueras y daños provocados por el agua.

ADVERTENCIA - Riesgo de Descarga Eléctrica

Enchufe a un tomacorriente de 3 clavijas con conexión a tierra.

NO retire la terminal de tierra.

NO UTILICE un cable de extensión.

NO UTILICE un enchufe adaptador con este artefacto.

Si no se siguen estas instrucciones, se podrá producir la muerte, incendio o descargas eléctricas.

- Asegúrese de que la lavadora esté correctamente nivelada y que sus patas estén ajustadas de modo que la unidad se encuentre estable.

Piezas y accesorios

Solicítelos on-line hoy mismo a GEApplianceparts.com, las 24 horas del día o por teléfono al 800.626.2002 en horario normal de trabajo.

Número de Pieza	Accesorio
PM14X10002	Mangueras de goma de suministro de agua de 4 pies
O	
PM14X10005	Mangueras trenzada de suministro de agua de 4 pies
WH49X301	Extensión de la manguera de drenaje
PM7X1	Bandeja del Piso de la Lavadora

✓ SECUENCIA DE INICIO

- En cualquier momento en que la lavadora se inicie o se reinicie una vez abierta y cerrada su tapa, la misma activará la válvula de agua fría durante dos períodos cortos seguidos por una pausa de 10 minutos antes de continuar.
- Si la tapa es abierta durante este período, la lavadora se pausará. Se deberá presionar el botón **Start (Iniciar)** nuevamente para reiniciar el ciclo.

2 CUANDO NO ESTÉ EN USO

- Cierre las llaves de paso minimizar las fugas en caso de que se produzca una rotura o grieta. Compruebe el estado de las mangueras de llenado; GE Appliances recomienda el cambio de las mangueras cada 5 años.

GUARDE ESTAS INSTRUCCIONES

Instrucciones de uso.



ADVERTENCIA

Para reducir el riesgo de incendios, descargas eléctricas o heridas, lea las INSTRUCCIONES IMPORTANTES DE SEGURIDAD antes de utilizar este electrodoméstico.

Es posible que las funciones y apariencias varíen con relación a su modelo a lo largo del manual.

Paso 1



- Agregue el suavizante al dosificador para suavizante; lea la página 10.
- Agregue la cantidad de detergente recomendada por el fabricante. GE Appliances recomienda el uso de detergentes de Alta Eficiencia tales como en su lavadora de energía eficiente. Coloque los receptáculos de detergente en la parte inferior de la canasta de lavado antes de agregar la ropa.

Paso 2



- Agregue las prendas sin ajustar alrededor del Infusor. Sobrecargar el tambor puede producir un impacto negativo en el desempeño de lavado. Consulte la página 9 para obtener ejemplos de carga sugeridos.
- Cierre la tapa. **NOTA:** La lavadora no se iniciará con la tapa abierta.

Paso 3

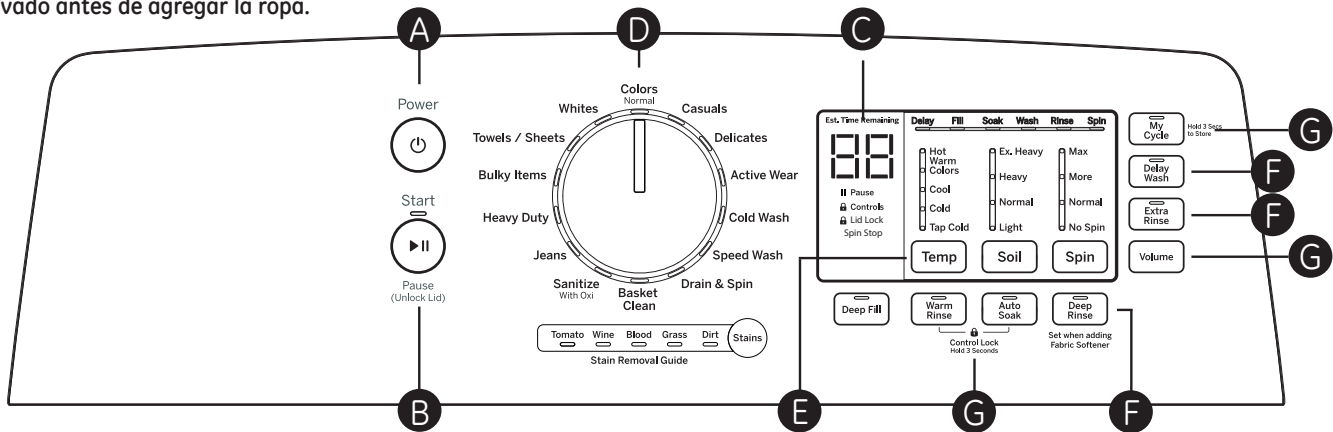


- Seleccione el ciclo de lavado.
- Seleccione el opciones de lavado, incluyendo la opción **Deep Rinse (Enjuague Profundo)** al usar suavizante para telas.
- Seleccione las opciones.

Paso 4



- Oprima **Start**.



A Power (Encendido)

Presione para "activar" la pantalla. Si la pantalla está activa, presione para que la lavadora quede en el modo inactivo. **NOTA:** Presionar **Power (Encendido)** no desconecta el electrodoméstico del suministro de corriente.

B Start/Pause (Inicio/Pausa)

Presione **Start (Inicio)** para comenzar el ciclo. **NOTA:** La tapa se deberá cerrar para que la lavadora el ciclo comience. Si la tapa está abierta, se visualizará "Lid" (Tapa) a través de la pantalla. Si la tapa está cerrada, la tapa se bloqueará la luz de **Lid Lock (Tapa Bloqueada)** se iluminará, y "SEnSing" (detección) se visualizará a través de la pantalla.

Presionar **Pause (Pausa)** desbloqueará la tapa (si se encuentra bloqueada en ese momento), pausará el ciclo y la luz del indicador de **Start (Inicio)** titilará.

Para continuar el ciclo, presione **Start (Inicio)** nuevamente. Si la máquina queda pausada por más de 12 horas, el ciclo será cancelado. Si el agua permanece en la máquina, seleccione el ciclo **Drain & Spin (Drenar y Girar)** para drenar el tubo y desagotar el agua de la lavadora.

C Display and Status Lights (Pantalla y las Luces de Status (Estatus))

Pantalla: La pantalla muestra el tiempo restante **aproximado** hasta el final del ciclo. **NOTA:** El tiempo del ciclo es afectado por el tiempo que toma llenar la lavadora. Esto depende de la presión del agua en su hogar. El tamaño de la carga lavada también impacta significativamente sobre el tiempo del ciclo, ya que las cargas más grandes demoran más tiempo.

Además, esta pantalla "mostrará" el estado de la lavadora:

- **bALANcING** Comienzo del ciclo de rebalanceo para redistribuir la ropa. Se detiene una vez completado el rebalanceo.
- **dELAY** Cuando **Delayed Wash (Lavado Retrasado)** es iniciado. Reemplazado con tiempo estimado cuando comienza el ciclo.
- **End** Fin del ciclo actual.
- **FILL** Durante los primeros 45 minutos de un llenado, se muestra el tiempo de fin de ciclo estimado. Para el resto del tiempo de llenado, "FILL" (Llenado) se muestra hasta que el mismo se completa.
- **H2O SUPPLY** No puede sentir el nivel del agua (es posible que las válvulas estén apagadas).
- **Lid** El ciclo se detuvo porque la tapa está abierta. Cierre la tapa.
- **SEnSing** Sensor de tamaño y tipo de carga antes y durante el llenado (normal).
- **PAUSE** El ciclo fue pausado debido a que la tecla **Start/Pause (Inicio/ Pausa)** fue presionado y la lavadora fue configurada en **Pause (Pausa)**. Presione el botón **Start (Inicio)** nuevamente para reiniciar el ciclo.

Luces de estado del ciclo: Muestra si la lavadora está en el ciclo **Delay (retraso)**, **Fill (llenado)**, **Soak (Enjuagar)**, **Wash (Lavar)**, **Rinse (Enjuagar)** o **Spin (Girar)**.

Si una condición de desequilibrio es detectado por la lavadora, el indicador de Giro (Spin) parpadeará durante la parte restante del ciclo y permanecerá iluminado durante un corto tiempo después del fin del ciclo. Cuando este ocurre, la lavadora está tomando medidas para corregir la condición de desequilibrio y completar el ciclo normalmente. En algunos casos, es posible que la lavadora no pueda ser capaz de equilibrar la carga y girar a plena velocidad. Si se observa que la carga es más húmedo de lo normal al fin del ciclo, redistribuye la carga de manera uniforme en el tambor de lavado y ejecute un ciclo de **Drain & Spin (Drenaje y Giro)**.

Las luces de estado de las funciones indican (lea las secciones **F** y **G** para más detalles):

|| Pause - Se indicará cuando la lavadora se encuentre pausada entre ciclos.

🔒 Controls (Controles) - Lavadora está bloqueada - titilará una vez si presiona cualquier botón o gira perilla de ciclo.

🔒 Lid Lock (Tapa está bloqueada) - Consulte descripción **Bloqueo del Control**.

Spin Stop (Detención del Giro) - indica que la canasta de lavado empieza a dejar de girar hasta detenerse. La tapa no se desbloqueará hasta que la canasta se haya detenido completamente.

D Perilla de Ciclos de Lavado-Selector de Ciclo

El ciclo de lavado controla el tipo de proceso de lavado. La perilla Selector de Ciclo se puede girar en cualquier dirección. Girar la perilla luego de iniciar un ciclo detendrá la lavadora y modificará el ciclo/ opciones en la nueva selección. Presione **Start** (Iniciar) para comenzar la selección del nuevo ciclo.

El siguiente cuadro le ayudará a encontrar la mejor combinación entre las prendas que serán lavadas y las mejores configuraciones de ciclos de lavado. Para un rendimiento óptimo, seleccione el ciclo más conveniente para las prendas que serán lavadas.

Las selecciones y opciones en **negrita** son configuraciones recomendados para ese ciclo.

Es posible que algunos ciclos y opciones no estén disponibles en algunos modelos.

Prendas a Lavar	Ciclo	Temperatura de Lavado	Nivel de Suciedad	Selección del Giro	Opciones Disponibles	Detalles del Ciclo
Ciclo para el uso normal, regular o típica para el lavado hasta una carga completa de ropa de algodón de suciedad normal.	Colores	Caliente Tibio Colores Fresca Fría Fría del Grifo	Ext. Sucia Sucia Normal Apenas Sucia Sucia Ext. Apenas Sucia	Máx. Más Normal Sin Giro	Guía de Eliminación de Manchas Enjuague Tibio Remojo Automático Enjuague Intenso Lavado con Retraso Enjuague Adicional	Ciclo para el uso normal, regular o típica para el lavado hasta una carga completa de ropa de algodón de suciedad normal. Elija la selección de nivel de suciedad Heavy (Sucio) o Extra Heavy (Muy Sucio) o la selección de temperatura Hot Water (Agua Caliente), según sea apropiado para su carga de ropa en un nivel de lavado más alto. Incorpora llenados con pasos múltiples y períodos de lavado para brindar un cuidado óptimo de las telas.
Ropa de uso diario, de oficina apenas sucia	Ropa de uso diario	Caliente Tibio Colores Fresca Fría Fría del Grifo	Ext. Sucia Sucia Normal Apenas Sucia Sucia Ext. Apenas Sucia	Máx. Más Normal Sin Giro	Guía de Eliminación de Manchas Llenado Intenso Enjuague Tibio Remojo Automático Enjuague Intenso Lavado con Retraso Enjuague Adicional	Ciclo de lavado ajustado para el cuidado de prendas casuales y de oficina.
Lencería y telas que requieren cuidado especial con suciedad entre leve.	Prendas delicadas	Caliente Tibio Colores Fresca Fría Fría del Grifo	Ext. Sucia Sucia Normal Apenas Sucia Sucia Ext. Apenas Sucia	Máx. Más Normal Sin Giro	Guía de Eliminación de Manchas Llenado Intenso Enjuague Tibio Remojo Automático Enjuague Intenso Lavado con Retraso Enjuague Adicional	Utiliza un perfil de agitación extra suave de "tres pulsos" para brindar cuidado especial a las telas delicadas. Se recomienda colocar las prendas pequeñas o ultra delicadas en bolsas de malla antes del lavado.
Prendas deportivas con nivel de suciedad entre medio y leve de tejidos técnicos y sintéticos.	Ropa Informal	Caliente Tibio Colores Fresca Fría Fría del Grifo	Ext. Sucia Sucia Normal Apenas Sucia Sucia Ext. Apenas Sucia	Máx. Más Normal Sin Giro	Guía de Eliminación de Manchas Llenado Intenso Enjuague Tibio Remojo Automático Enjuague Intenso Lavado con Retraso Enjuague Adicional	Ciclo diseñado para el cuidado de la tela de ropa informal, deportiva y de uso técnico con un nivel de suciedad entre medio y leve. Incorpora un período de lavado en dos etapas, con un período de remojo para tratar efectivamente la suciedad y los olores corporales. Use el ciclo Heavy Duty (Carga Pesada) para ropa deportiva muy sucia fabricada con tela resistente).
Cargas de telas oscuros y mezclada.	Lavado Frío	Caliente Tibio Colores Fresca Fría Fría del Grifo	Ext. Sucia Sucia Normal Apenas Sucia Sucia Ext. Apenas Sucia	Máx. Más Normal Sin Giro	Guía de Eliminación de Manchas Llenado Intenso Enjuague Tibio Remojo Automático Enjuague Intenso Lavado con Retraso Enjuague Adicional	El ciclo combina períodos de agitación de lavados múltiples con períodos de remojo, a fin de brindar un rendimiento mejorado de la limpieza y una mayor eficacia con temperaturas más bajas de agua.
Para pequeñas cantidades de prendas con poca suciedad que se necesitan de forma rápida. Ejemplos incluyen un equipo de uso casual o 3 uniformes de fútbol	Lavado Rápido	Caliente Tibio Colores Fresca Fría Fría del Grifo	Ext. Sucia Sucia Normal Apenas Sucia Sucia Ext. Apenas Sucia	Máx. Más Normal Sin Giro	Guía de Eliminación de Manchas Llenado Intenso Enjuague Tibio Remojo Automático Enjuague Intenso Lavado con Retraso Enjuague Adicional	Utiliza un perfil de agitación intensa, un período de lavado acelerado, y un enjuague con spray continuo para ahorrar tiempo, a fin de lavar cargas pequeñas que estén apenas sucias en el menor tiempo posible.
Carga de prendas mojadas. Para aquellas prendas que sólo necesitan ser enjuagadas, use este ciclo con la opción Deep Rinse (Enjuague Profundo).	Drenaje y Giro			Máx. Más Normal Sin Giro	Enjuague Intenso Enjuague Adicional	Utiliza un giro de alta velocidad para extraer el agua de las prendas mojadas. Para aquellas prendas que necesitan ser enjuagadas, seleccione la opción Deep Rinse (Enjuague Profundo) al usar este ciclo.

Instrucciones de uso.

D Perilla de Ciclos de Lavado-Selector de Ciclo - Continuado

Prendas a Lavar	Ciclo	Temperatura de Lavado	Nivel de Suciedad	Selección del Giro	Opciones Disponibles	Detalles del Ciclo
Limpieza de la canasta de residuos y olores de la canasta. No se lavará ropa al usar este ciclo.	Limpieza de la Canasta	Caliente	Ext. Sucia	Normal	Llenado Intenso Enjuague Intenso	Uso recomendado de una vez por mes. Nunca cargue ropa sucia al usar este ciclo; la misma podrá ser dañada o contaminada. Este ciclo incorpora un lavado caliente profundo, acción de agitación intensa, la purga del dispensador (en algunos modelos), y un enjuague profundo.
Prendas muy sucias que no destiñen	Desinfecte con Oxi*	Caliente	Ext. Sucia	Máx. Más	Enjuague Tibio Remojo Automático Enjuague Intenso Lavado con Retraso Enjuague Adicional	El ciclo usa un llenado de agua inicial más bajo para una desinfección súper concentrada y en alta temperatura, seguida por un paso de lavado pesado. Una purga de la bomba y un enjuague profundo es incorporado a fin de eliminar los contaminantes. Consulte los detalles y certificaciones adicionales a continuación.
Vaqueros con suciedad entre media y leve. Si se trata de vaqueros usados para trabajar con mucha suciedad, use el ciclo Heavy Duty Cycle (Ciclo de Carga Pesada).	Vaqueros inosos	Caliente Tibio Colores Fresca Fría Fría del Grifo	Ext. Sucia Sucia Normal Apenas Sucia Ext. Apenas Sucia	Máx. Más Normal Sin Giro	Guía de Eliminación de Manchas Llenado Intenso Enjuague Tibio Remojo Automático Enjuague Intenso Lavado con Retraso Enjuague Adicional	Combina niveles de agua superiores, un perfil de agitación diseñado especialmente, y un lavado con pasos múltiples y períodos de remojo para el cuidado de vaqueros con suciedad entre media y leve. Use el ciclo Heavy Duty (Carga Pesada) para vaqueros de trabajo con mucha suciedad.
Telas resistentes con suciedad entre pesada y media	Carga Pesada	Caliente Tibio Colores Fresca Fría Fría del Grifo	Ext. Sucia Sucia Normal Apenas Sucia Ext. Apenas Sucia	Máx. Más Normal Sin Giro	Guía de Eliminación de Manchas Llenado Intenso Enjuague Tibio Remojo Automático Enjuague Intenso Lavado con Retraso Enjuague Adicional	Incorpora de lavado de varios pasos y tomar períodos combinados con períodos prolongados de lavado para limpiar con eficacia en gran medida al medio sucio telas resistentes.
Abrigos grandes, acolchados, cobertores de colchones, bolsas de dormir y prendas voluminosas similares.	Prendas Voluminosas	Caliente Tibio Colores Fresca Fría Fría del Grifo	Ext. Sucia Sucia Normal Apenas Sucia Ext. Apenas Sucia	Máx. Más Normal Sin Giro	Guía de Eliminación de Manchas Llenado Intenso Enjuague Tibio Remojo Automático Enjuague Intenso Lavado con Retraso Enjuague Adicional	Brinda un nivel de agua para lavado con Llenado Intenso/ llenado máximo, con un perfil de agitación especialmente diseñado para lavar prendas voluminosas. También incorpora un enjuague con Llenado Intenso para enjuagar de forma efectiva prendas voluminosas.
Toallas Sábanas	Toallas/ Sábanas	Caliente Tibio Colores Fresca Fría Fría del Grifo	Ext. Sucia Sucia Normal Apenas Sucia Ext. Apenas Sucia	Máx. Más Normal Sin Giro	Guía de Eliminación de Manchas Llenado Intenso Enjuague Tibio Remojo Automático Enjuague Intenso Lavado con Retraso Enjuague Adicional	Ciclo diseñado para lavar toallas o sábanas, usando un nivel de agua más alto y un período de remojo para lavar de forma efectiva estas prendas. Se recomienda que las toallas y sábanas sean lavadas de forma separada para un mejor cuidado y rendimiento del lavado.
Los blancos y ropa de hogares.	Blancos	Caliente Tibio Colores Fresca Fría Fría del Grifo	Ext. Sucia Sucia Normal Apenas Sucia Ext. Apenas Sucia	Máx. Más Normal Sin Giro	Guía de Eliminación de Manchas Llenado Intenso Enjuague Tibio Remojo Automático Enjuague Intenso Lavado con Retraso Enjuague Adicional	Ciclo adaptado para limpiar y dar brillo a sus blancos.

Sanitize with Oxi (Desinfectar con Oxi)

El ciclo **Sanitize with Oxi (Desinfectar con Oxi)** está diseñado para eliminar 99,9% de las bacterias encontradas en la prenda para lavar si se utiliza un aditivo Oxi junto con su detergente.

Mida el detergente y los productos Oxi cuidadosamente. Usando las cantidades apropiadas para una gran carga muy sucia, siga las instrucciones de la etiqueta del detergente y del producto Oxi. El detergente debe añadirse utilizando las instrucciones del dispensador, como se muestra en la página 9 de esta guía. Coloque el producto Oxi directamente en la parte inferior de la canasta de lavado, antes de añadir la ropa. La conexión de suministro de agua caliente de la lavadora debe proporcionar un mínimo de 120° F para asegurar la efectividad de este ciclo.

NOTA: El valor predeterminado de la temperatura del agua del ciclo **Sanitize With Oxi (Desinfectar con Oxi)** NO se puede cambiar.

El ciclo **Sanitize With Oxi (Desinfectar con Oxi)** está certificado por NSF International, una organización independiente de tercera parte de verificación y certificación. La certificación verifica que el ciclo reduzca 99,9% de las bacterias que se encuentran típicamente en la prenda residencial y que ninguna contaminación significativa es transferida a las cargas siguientes. Sólo el ciclo **Sanitize With Oxi (Desinfectar con Oxi)** ha sido diseñado para satisfacer los requisitos del Protocolo NSF P172 para una desinfección eficiente.



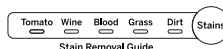
NSF Protocol P172
Esterilización Desempeño de Residencial y
Comerciales, Lavadoras de Tamaño de la Familia

Stain Removal Guide (Guía de Eliminación de Manchas)

La característica **Stain Removal Guide** (Guía de Eliminación de Manchas) le permite señalar las manchas que se encuentran en las prendas de la carga. Esta función incorpora un método de tratamiento pendiente de patentamiento. Un llenado de agua inicial es realizado a una temperatura ajustada al tipo de manchas seleccionado y a una cantidad que permite un paso de limpieza concentrado. Un período de fregado de manchas, seguido por un remojo activo, es conducido para tratar de forma efectiva la mancha. Luego se agrega agua a la temperatura seleccionada y la fase de lavado es conducida para el ciclo seleccionado.

Cómo usar Stain Removal Guide (Guía de Eliminación de Manchas):

1. Seleccione el ciclo de lavado deseado.



2. Presione botón **Stain Removal Guide** (Guía de Eliminación de Manchas).

Continúe presionando para seleccionar manchas de **Tomato** (Tomate), mancha **Wine** (Vino), mancha **Blood** (sangre), mancha de **Grass** (Hierba) o mancha de **Dirt** (Tierra). La luz indicadora mostrará la mancha seleccionada.

Para seleccionar una mancha diferente, presione el botón **Stain Removal Guide** (Guía de Eliminación de Manchas) hasta que la mancha que se desea eliminar se ilumine.

Para apagar **Stain Removal Guide** (Guía de Eliminación de Manchas), presione hasta que ninguna luz indicadora esté iluminada. **NOTA:** Los niveles de Suciedad y Temperatura serán modificados para que coincidan con la configuración por omisión recomendada para cada tipo de mancha. Apagar **Stain Removal Guide** (Guía de Eliminación de Manchas) hará que se regrese a la configuración por omisión.

Guía de Eliminación de Manchas

Categoría	Temperaturas Recomendadas Tratamiento/ Lavado	Mancha	Para obtener mejores resultados, antes de colocar la ropa en la lavadora:
Sangre	Fresca/ Fría	Sangre Sudor Fluidos Corporales Orina	Enjuague en agua fría; precaliente con detergente líquido o con un producto para eliminar manchas.
Césped	Fría/Tibio	Césped Lápiz Labial Chocolate Salsa Espesa Mayonesa Salsa de BBQ	Precalentar con detergente líquido o con un producto para eliminar manchas. Cepillar suavemente; enjuagar con agua fría.
Suciedad	Fresca/Tibio	Suciedad Barro Lodo	Espere a que la suciedad se seque; elimine la suciedad suelta con un cepillo. Enjuague con agua fría.
Tomate	Fresca/Tibio	Salsa Salsa de tomate Salsa	Precalentar con detergente líquido o con un producto para eliminar manchas. Enjuagar con agua fresca.
Vino	Fresca/Tibio	Vino Fría/ Tibia Vino Gaseosa Kool-aid Té Café Jugo Cerveza	Precaliente con la mezcla del producto de Oxi y agua fría. Agregue el producto de Oxi junto con el detergente en el agua.

- Las temperaturas recomendadas son óptimas para la eliminación de manchas; ajuste la selección de temperatura para ajustar la carga que se está lavando.
- Asegúrese de que la mancha sea completamente eliminada luego del ciclo de lavado y antes de colocar la ropa en la secadora; es posible que las manchas muy difíciles requieran un segundo tratamiento.

Instrucciones de uso.

E **Settings (Configuraciones)**

Configuraciones individuales para agitación **Soil** (Suciedad), temperatura del agua **Temp** (Temperatura), y giro **Spin** (Giro) se pueden configurar de mínimo (inferior en la columna) a máximo (superior en la columna). En general, cuanto más arriba en la columna, más lavadoras energía se usará. **NOTA:** Tiempos de Giro Más Prolongados típicamente reducen el tiempo de la secadora/uso de energía (es decir: reduce el uso de la energía total al usar tanto una lavadora como una secadora).

F **Opciones de ciclo**

Deep Fill (Relleno profunda)

Seleccione la función de **Deep Fill** (Llenado Intenso) para las cargas donde se necesita más agua. La función de relleno intenso se recomienda para cargas especiales, no para uso típico.

Presione el botón **Deep Fill** (Llenado Intenso) una vez antes de iniciar el ciclo para agregar una cantidad adicional de agua a la carga del lavado. Mantener presionado el botón **Deep Fill** (Llenado Intenso) durante 3 segundos brindará el nivel más intenso de llenado posible; esto incrementará el tiempo del ciclo debido al tiempo adicional que lleva llenar la lavadora.

A fin de cancelar la opción, si así lo desea, presione el botón **Deep Fill** (Llenado Intenso) nuevamente.

NOTA: El botón **Deep Fill** (Llenado Intenso) también puede ser presionado una vez que la lavadora haya completado el llenado y se encuentre en la fase de lavado, si se desea agregar más agua. Para detener el llenado adicional, presione el botón **Deep Fill** (Llenado Intenso) nuevamente y el agua se detendrá.

Warm Rinse (Enjuague tibio)

Brinda un enjuague tibio a la carga que será lavada. Se debe observar que las funciones de enjuague pueden ser diferentes con esta función seleccionada, a fin de aplicar de forma efectiva el agua para enjuague tibio a su carga.

Auto Soak (Auto remojo)

Esta opción comienza con una breve agitación, realiza el remojo durante un período de tiempo específico, y luego realiza el resto del ciclo de forma automática. Presionar de forma repetida el botón **Soak** (Remojo) hará que se pase a través de las selecciones de 15 minutos, 30 minutos, 1 hora y 2 horas y luego regresará a 0 minutos de remojo.

Deep Rinse (Enjuague Profundo)

Configure esta opción para brindar un enjuague profundo o cuando use un suavizante para telas. Esto podrá modificar otras configuraciones (es decir: **Spin** (Girar) se podrá activar en una configuración más alta) a fin de maximizar el rendimiento.

Delay Wash (Lavado Retrasado)

Al presionar de forma repetida el botón **Delay Wash** (Lavado Retrasado), el tiempo de retraso se configura de 1 (01H) a 9 (09H) horas, y vuelve a cero (00H). Si se mantiene presionado el botón **Delay Wash** (Lavado Retrasado) durante 3 segundos, se reiniciará de inmediato.

Extra Rinse (Enjuague Adicional)

Al usar detergente o blanqueador adicional para limpiar ropa muy sucia, use la opción **Extra Rinse** (Enjuague Adicional) para eliminar mejor los residuos adicionales. **NOTA:** Esta opción no está permitida en algunos ciclos.

G **Opciones Adicionales**

My Cycle Settings (Mis Configuraciones de Ciclos)

A medida que la perilla del selector de ciclo es girada, las configuraciones de **Temp** (Temperatura), **Soil** (Suciedad) y **Spin** (Giro) cambian a configuraciones automáticas preconfiguradas por omisión para cada ciclo. Si desea diferentes configuraciones por omisión, seleccione las opciones o cambios deseados en las configuraciones del ciclo, y luego mantenga presionado el botón **My Cycle** (Mi Ciclo) durante 3 segundos para guardar las mismas. El botón **My Cycle** (Mi Ciclo) se iluminará cuando esté activo. En el futuro, al girar la perilla del selector a ese ciclo, sus configuraciones serán reactivadas de forma automática. Para restaurar las configuraciones de fábrica de forma temporaria (es decir: para esta carga), presione el botón **My Cycle** (Mi Ciclo) durante 1/2 segundo. La luz de **My Cycle** (Mi Ciclo) se apagará y las configuraciones de fábrica se cargarán. Sin embargo, la próxima vez que seleccione este ciclo, sus configuraciones de **My Cycle** (Mi Ciclo) se cargarán. Si desea restaurar de forma permanente las configuraciones de fábrica por omisión para el ciclo, cuando **My Cycle** (Mi Ciclo) esté activo (botón encendido), mantenga presionado este botón durante 3 segundos. Las configuraciones de fábrica por omisión se cargarán para el ciclo seleccionado y la luz de **My Cycle** (Mi Ciclo) se apagará. Las configuraciones por omisión se cargarán cuando este ciclo sea seleccionado en el futuro y la luz de **My Cycle** (Mi Ciclo) permanecerá apagada. **NOTA:** **My Cycle** (Mi Ciclo) guarda las siguientes opciones: **Temp** (Temperatura), **Soil** (Suciedad), **Spin** (Giro), **Extra Rinse** (Enjuague Adicional), **Deep Fill** (Llenado Intenso), **Warm Rinse** (Enjuague Tibio), **Auto Soak** (Remojo Automático), **Deep Rinse** (Enjuague Intenso) y **Stain Removal Guide** (Guía de Eliminación de Manchas).

Volume (Volumen)

Use el botón **Volume** (Volumen) para cambiar el volumen de la señal del fin del ciclo y otros tonos del sistema. Presione la tecla hasta que alcance el volumen (alta, media, baja) deseado o se apague.

Control Lock (Control de Bloquear)

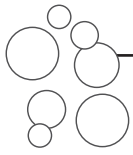
Use el bloqueo del control antes o durante un ciclo, a fin de evitar que cualquier selección sea realizada.

Para bloquear/desbloquear los controles de la lavadora, mantenga presionados los botones **Warm Rinse** (Enjuague tibio) y **Auto Soak** (Auto remojo) durante 3 segundos. El icono de bloqueo de los controles que aparece en la pantalla se encenderá cuando esté activado.

NOTA: El botón de **Power** (Encendido) puede seguir utilizándose cuando la lavadora está bloqueada.

Cómo cargar y usar la lavadora.

Siempre siga las instrucciones del fabricante de la ropa cuando lave.




Uso correcto del detergente

El uso de demasiado poco o cantidades excesivas de detergente es causa común de problemas con la colada. Use menos detergente si tiene agua blanda, una carga más liviana o ropa poco sucia.

Para tratar manchas, aplique pretratamiento a las prendas según se recomienda en la etiqueta del producto. La aplicación debe realizarse en el tambor para evitar una pulverización excesiva que podría provocar que los colores de la tapa o de los gráficos pierdan su intensidad.

Coloque los receptáculos de detergente en la parte inferior de la canasta de lavado antes de agregar la ropa.

GE Appliances recomienda el uso de detergentes de Alta Eficiencia tales como  su lavadora de energía eficiente. Los detergentes HE están formulados para funcionar en sistemas de lavado y enjuague con poca agua. Los detergentes HE reducen los problemas de espuma excesiva comúnmente asociados con los detergentes comunes.

Cuando utilice detergentes de alta eficiencia o concentrados, consulte la etiqueta del producto para determinar la cantidad requerida para un desempeño óptimo. Una cantidad excesiva de detergente puede tener un impacto negativo en el desempeño de lavado.



Separación de cargas

Separe por color (blancos, claros, colores), nivel de suciedad, tipo de tela (algodones rústicos, limpieza fácil, delicados) y si la tela produce pelusa (tela de toalla, felpilla) o junta pelusa (terciopelo, pana). Lave los productores de pelusas tales como toallas de algodón y medias aparte de los recolectores de pelusas, incluyendo prendas sintéticas y pantalones de vestir.

ADVERTENCIA - Riesgo de incendio

NO lave tejidos sucios con líquidos inflamables o disolventes de limpieza. Ninguna lavadora puede eliminar el aceite por completo.

NO lave o seque cualquier cosa remojada o salpicada con cualquier tipo de aceite (incluyendo aceites de cocina).

NO toque el interior de la lavadora antes de que todas las partes en movimiento se hayan detenido. Si lo hace, eso puede ocasionar la muerte, explosión, incendio o amputación.

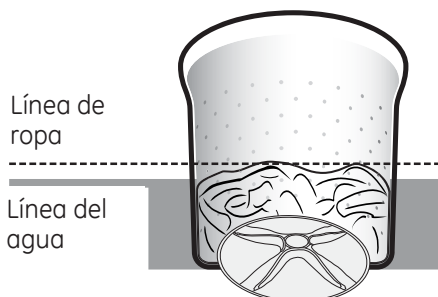


Carga de la lavadora

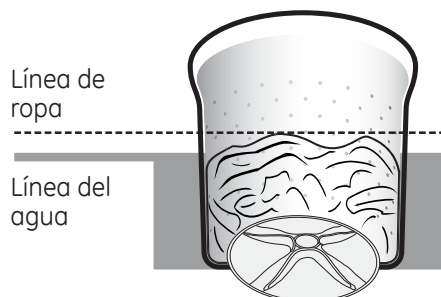
Agregue las prendas secas sin apretar en el tambor de la lavadora. Para mejores resultados, cargue las prendas en forma uniforme y sin apretarlas alrededor de la parte exterior del tambor, llenando hacia la parte del centro en cargas grandes. Para agregar prendas una vez que se inició un ciclo en la lavadora, presione **Start/Pause** (Iniciar/pausa) si la tapa está bloqueada; espere hasta que el indicador de **Lid Locked** (Bloqueo de la Tapa) que aparece en la pantalla ya no esté iluminado, antes de intentar abrir la tapa. Levante la tapa y sumerja prendas adicionales alrededor de la parte externa de la canasta. Cierre la tapa y presione **Start** (Iniciar) para reanudar el lavado. Ajuste la selección del tamaño de la carga y/o use la opción Deep Fill (Llenado Intenso), si es necesario.

- No coloque prendas grandes tales como sábanas, colchas y toallas sobre el Infusor (en algunos modelos). Cárquelas alrededor de la parte exterior del tambor.
- No coloque almohadones de jardín o sofá en la lavadora, ya que son demasiado grandes para poder moverlos. Retire las tapas externas y SÓLO lave las mismas.

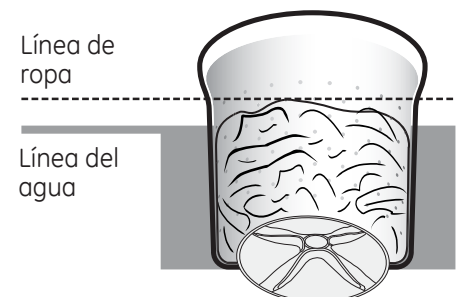
Carga Pequeña Promedio



Carga Mediana Promedio



Carga Grande Promedio



Funciones de la lavadora.

Sensor de Carga Automático

Esto determina el perfil de agitación correcto, la duración de la agitación y la cantidad de agua adecuada al tamaño y tipo de carga colocado en la lavadora. La lavadora no iniciará el ciclo de lavado ni se llenará de agua si la tapa se encuentra abierta. Cuando se cierra la tapa la máquina puede comenzar a llenarse de agua para poder detectar el tamaño de la carga.

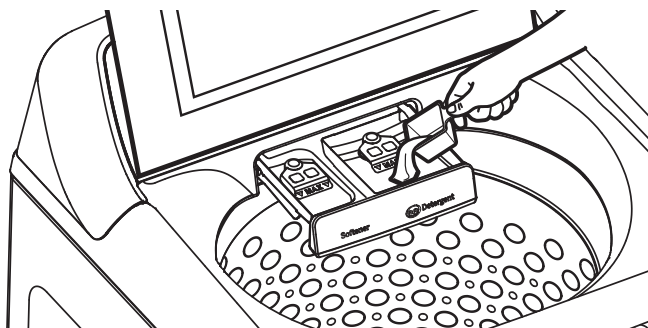
NOTA: La función **Automatic Load Sensing** (*Sensor de Carga Automática*) inicia un giro al comenzar el ciclo y tardará hasta 3 minutos en completar la misma (significativamente más corto para cargas más pequeñas); éste es el funcionamiento normal.

NOTA: Esta es una lavadora de alta eficiencia con una acción de lavado Infusor. Este sistema requiere menos agua al tiempo que brinda una acción de limpieza excepcional. Usted puede notar que el nivel de agua es menor que el de su lavadora anterior. Esto es normal para una lavadora equipada con un Infusor.

Dispensador de Detergente

El Detergente de alta eficacia líquido o en polvo deberá ser agregado del **lado derecho** del cajón dispensador. Siga las recomendaciones del fabricante del detergente en relación a usar la cantidad correcta, en base al tamaño de la carga, cuidando que el detergente sea agregado en el **compartimiento derecho**. No sobrecargue ni diluya el detergente, ya que esto podrá hacer que los aditivos sean dispensados de forma prematura en el ciclo de lavado. Sus selecciones de opciones determinarán cuándo el detergente debe ser dispensado de forma automática en el momento óptimo durante el ciclo de lavado.

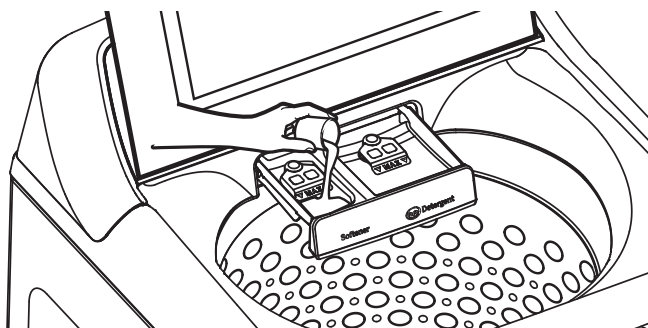
NOTA: No se deberán agregar paquetes de lavado individuales al cajón dispensador, ya que no dispensarán de forma adecuada. Coloque los paquetes en la parte inferior de la canasta de lavado.



Dispensador de Suavizante Líquido para Telas

El suavizante líquido de telas debe ser agregado del **lado izquierdo** del cajón dispensador. Siga las recomendaciones del fabricante del suavizante para telas en relación a usar la cantidad correcta de suavizante, en base al tamaño de la carga, cuidando que el suavizante sea agregado en el compartimiento correcto. No sobrecargue ni diluya el suavizante, ya que esto podrá hacer que los aditivos sean dispensados de forma prematura en el ciclo de lavado. Sus selecciones de opciones determinarán cuándo el suavizante líquido para telas debe ser dispensado de forma automática en el momento óptimo durante el ciclo de enjuague.

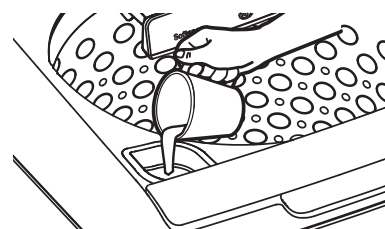
NOTA: Los cristales del suavizante para telas no deben ser agregados al cajón dispensador, ya que no dispensarán de forma correcta.



Blanqueador Líquido

El blanqueador líquido de cloro debe ser agregado a través del dispensador del blanqueador en la **esquina frontal izquierda**. Siga las recomendaciones del fabricante del blanqueador para utilizar la cantidad correcta de blanqueador líquido de cloro en base al tamaño de la carga, evitando aplicar o salpicar el mismo directamente sobre la ropa.

NOTA: No use blanqueador líquido de cloro ni pretratamientos de lavado tales como el producto Oxi en la misma carga a lavar.



Pretratamiento

Coloque los pretratamientos de lavado, tales como el producto Oxi, directamente sobre el fondo de la canasta de lavado antes de agregar la ropa.

NOTA: No use blanqueador líquido de cloro ni pretratamientos de lavado tales como el producto Oxi en la misma carga a lavar.

La parte exterior de la lavadora

Limpie inmediatamente cualquier clase de derrame con un paño húmedo.

La parte interior de la lavadora

Para limpiar la parte interna de la lavadora, seleccione la característica **Basket Clean** (limpieza de tambor) del panel de control. Este ciclo **Basket Clean** (Limpieza de la Canasta) debería ser activado, como mínimo, una vez por mes. Este ciclo usará más agua, además de blanqueador, para controlar el nivel en el cual las suciedades y detergentes se podrá acumular en la lavadora.

NOTA: Lea las instrucciones por completo antes de comenzar el ciclo **Basket Clean**.

1. Quite las prendas u objetos de la lavadora y verifique que el tambor de la lavadora se encuentre vacío.
2. Abra la tapa de la lavadora y vierta en la canasta una taza o 250 ml de líquido blanqueador u otro limpiador para lavadoras.
3. Cierre la tapa por completo y vuelva a iniciar el ciclo **Basket Clean**. Presione el botón **Start (inicio)**.

4. Cuando el ciclo **Basket Clean** (Limpieza de la Canasta) esté funcionando, la pantalla mostrará el tiempo restante estimado del ciclo. No interrumpa el ciclo.

Basket Clean puede interrumpirse presionando el botón **Start/Pause (inicio/pausa)** entre ciclos. Un corte de energía en el hogar también puede interrumpir el ciclo. Cuando se reanuda el servicio eléctrico, el ciclo **Basket Clean** continúa desde el punto en el que se había detenido. Cuando se interrumpe, asegúrese de realizar un ciclo completo de **Basket Clean** antes de utilizar la lavadora. Si se presiona el botón **Power (encendido)** durante **Basket Clean**, el ciclo se perderá.

IMPORTANTE:

- Haga funcionar el ciclo **Basket Clean** con 1 taza (250 ml) de lejía una vez por mes.
- Después de finalizar un ciclo **Basket Clean**, la parte interior de su lavadora puede tener olor a lejía.



Vierta en la canasta de la lavadora



Limpieza del Cajón Dispensador

Luego de cierto período de uso, una pequeña cantidad de detergente o un residuo de suavizante puede estar presente en el cajón dispensador. El cajón puede ser retirado fácilmente para su limpieza. Para retirar el cajón, empuje hacia afuera hasta que éste se detenga y luego levante la parte frontal del mismo. El cajón puede ser entonces retirado de la caja dispensadora. Lave el cajón con agua tibia y jabón, usando un detergente suave. Enjuague el

cajón con agua tibia. Si las tapas de sifoneo son retiradas para su limpieza, asegúrese de empujar las mismas completamente hacia atrás hasta su posición luego de la limpieza.

El cajón dispensador y las tapas de sifoneo no son de uso seguro en el lavavajillas. La caja del dispensador no es extraíble, pero puede ser limpiada usando una tela húmeda, si es necesario. No intente retirar la caja dispensadora para su limpieza.



Mangueras de suministro de aguas

Las mangueras que conectan la lavadora al grifo deben cambiarse cada 5 años.

Desplazamiento y almacenamiento

Solicite al técnico que elimine toda el agua de la bomba de drenaje y de las mangueras. No almacene la lavadora donde se vea expuesta a las inclemencias del tiempo.

Vacaciones prolongadas

Asegúrese de que el suministro de agua esté cortado desde todos los grifos. Drene toda el agua de las mangueras y el área de la bomba de filtro de agua si la temperatura puede llegar a bajo cero.

Indicador de Ayuda al Consumidor

Su lavadora está equipada con la función Consumer Help Indicator (Indicador de Ayuda al Consumidor, CHI). CHI es nuestra forma de comunicar una solución simple para algunas acciones que usted puede realizar sin la necesidad de llamar al servicio técnico. El siguiente cuadro describe los mensajes útiles que podrá ver pasar por la pantalla al regresar para iniciar otra carga. Estos mensajes brindarán soluciones simples que puede realizar de forma rápida.

<p>Spin (Luz intermitente de giro)</p>	<p>Si una condición de desequilibrio es detectado por la lavadora, el indicador de Giro (Spin) parpadeará durante la parte restante del ciclo y permanecerá iluminado durante un corto tiempo después del fin del ciclo. Cuando este ocurre, la lavadora está tomando medidas para corregir la condición de desequilibrio y completar el ciclo normalmente. En algunos casos, es posible que la lavadora no pueda ser capaz de equilibrar la carga y girar a plena velocidad. Si se observa que la carga es más húmedo de lo normal al fin del ciclo, redistribuye la carga de manera uniforme en el tambor de lavado y ejecute un ciclo de Drain & Spin (Drenaje y Giro).</p>
<p>"H2O SUPPLY" (El agua no entra a la lavadora)</p>	<p>Controle el suministro de agua del hogar. ¿Olvidó abrir una o ambas válvulas luego de la instalación o al volver de sus vacaciones? Tan pronto como el mensaje comience a pasar, la lavadora iniciará un período de bloqueo de 4 minutos. Los controles de la lavadora no responden/ cambian durante este tiempo. Luego de 4 minutos, puede comenzar el ciclo nuevamente. Si intenta eludir el período de bloqueo desenchufando la lavadora, el temporizador de 4 minutos se iniciará nuevamente.</p>
<p>"CAnCElEd" (Cancelado)</p>	<p>Cancelado puede desplazarse en la pantalla si la máquina se detuvo por más de 12 horas o si la máquina se ha parado por sí misma debido a ciertos errores antes que el ciclo sea completado. Tan pronto como el mensaje comience a desplazarse, la lavadora se iniciará un período de bloqueo de 4 minutos. Los controles de la lavadora no responderán/cambiarán durante este tiempo. Luego de 4 minutos puede comenzar el ciclo nuevamente. Si intenta eludir el período de bloqueo desenchufando la lavadora, el temporizador de 4 minutos se iniciará de nuevo. Si el problema persiste, llame al 800.561.3344 para el servicio.</p>
<p>"Lid" (Tapa)</p>	<p>"Lid" (Tapa) se mostrará en la pantalla si 3 ciclos se han iniciado sin abrir la tapa. La lavadora no se iniciará otro ciclo hasta que se abra la tapa. Trate de abrir, a continuación, cierre la tapa y inicie un nuevo ciclo. Si el problema persiste, llame al 800.561.3344 para el servicio.</p>

Instrucciones de instalación

Lavadora

Si tiene alguna pregunta, llame GE Appliances a 800.GE.CARES (800.432.2737) o visite nuestro sitio Web en: GEAppliances.com

ANTES DE COMENZAR



Lea detenidamente todas las instrucciones.

- **IMPORTANTE** – Guarde estas instrucciones para uso del inspector local.
- **IMPORTANTE** – Cumpla todos los códigos y ordenanzas regulatorias.
- **Nota al instalador** – Asegúrese de dejar estas instrucciones al usuario.
- **Nota al usuario** – guarde estas instrucciones para consultas futuras.
- **Nivel de habilidad** – la instalación de este electrodoméstico requiere habilidades mecánicas y eléctricas básicas.
- **Duración** – de 1 a 3 horas
- La instalación adecuada es responsabilidad del instalador.
- La garantía no cubre fallas producidas por la instalación inadecuada del producto.

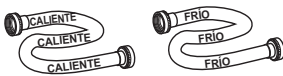

PIEZAS INCLUIDAS

- Manguera de Desagüe
- Abrazadera de cable
- Guía de referencia propietario
- Sujetador de la Manguera de Desagüe
- Abrazadera

HERRAMIENTAS NECESARIAS PARA LA INSTALACIÓN DE LA LAVADORA

- Pinza de Corte 
- Nivel 

PIEZAS NECESARIAS (Se adquiere por separado)

- Suministro de agua (2) 
- Arandelas de Caucho (2) y Pantallas de Filtro (2) 
- Extensión de la Manguera de Desagüe (Para alturas de descarga de entre 60" y 96")

GE Appliances Piezas y accesorios

Solicítelos on-line hoy mismo a GEApplianceparts.com, las 24 horas del día o por teléfono al 800.626.2002 en horario normal de trabajo.

Número de Pieza Accesorio

- | | |
|------------|---|
| PM14X10002 | Mangueras de goma de suministro de agua de 4 pies |
| O | |
| PM14X10005 | Mangueras trenzada de suministro de agua de 4 pies |
| WH1X2267 | Arandelas de Caucho y Pantallas |
| WH49X301 | Extensión de la Manguera de Desagüe (Para alturas de descarga de entre 60" y 96") |

NOTA: Se recomienda enfáticamente el uso de mangueras nuevas de suministro de agua. Las mangueras se desgastan con el tiempo y deben reemplazarse cada 5 años para reducir el riesgo de fallas en las mangueras y daños provocados por el agua.

Instrucciones de instalación

UBICACIÓN DE LA LAVADORA

NO instale la lavadora:

1. En un área expuesta a goteras o a las condiciones del exterior. La temperatura ambiente no debe ser nunca inferior a 60°F (15,6°C) para que la lavadora funcione correctamente.
2. En una zona en la que pueda entrar en contacto con cortinas u otras telas.
3. Sobre una alfombra. El suelo **DEBE** ser una superficie dura con una inclinación máxima de 1/2" por pie (1,27 cm por cada 30 cm). Para asegurarse de que la lavadora no vibre ni se mueva, es posible que tenga que reforzar el suelo.

NOTA: Si el suelo se encuentra en mal estado, utilice una plancha con 3/4" de contrachapado bien fija al revestimiento existente en el suelo.

IMPORTANTE: Distancias mínimas de separación para la instalación - Nicho o Armario

- Si la lavadora ha sido aprobada para ser instalada en un nicho o armario, debe haber una etiqueta en la parte posterior de la máquina que describa los requisitos.
- Distancia mínima entre la lavadora y las paredes adyacentes o cualquier otra superficie: 0 cm (0 pulg.) a los lados, 5 cm (2 pulg.) al frente. Espacio vertical desde el piso a los estantes superiores, gabinetes, cielo rasos, etc. = 60".
- Las puertas del armario deben contar con rejillas u otro tipo de ventilación y tener por lo menos 60 pulgadas cuadradas (387 cm²) de espacio abierto. Si el armario incluye una lavadora y una secadora, las puertas deben contener un mínimo de 120 pulgadas cuadradas (774 cm²) de espacio abierto.

NOTA: Los espacios mencionados en las etiquetas son los mínimos. Se debe dar una gran importancia al suministro de un espacio adecuado para la instalación y el mantenimiento de los aparatos.

REQUISITOS DE SUMINISTRO DE AGUA

PRESIÓN DE AGUA - Debe ser de 1,4 kgf/cm² (20 psi) como mínimo y de 8,4 kgf/cm² (120 psi) como máximo.

TEMPERATURA DE AGUA - Se debe regular el calentador de agua de la vivienda para que proporcione agua a una temperatura de 50 °C a 65 °C (120 °F a 150 °F) A LA LAVADORA, al seleccionar el ciclo de lavado en caliente.

VÁLVULAS DE CIERRE - Se deben suministrar dos válvulas de cierre (llaves), una para el agua caliente y otra para la fría.

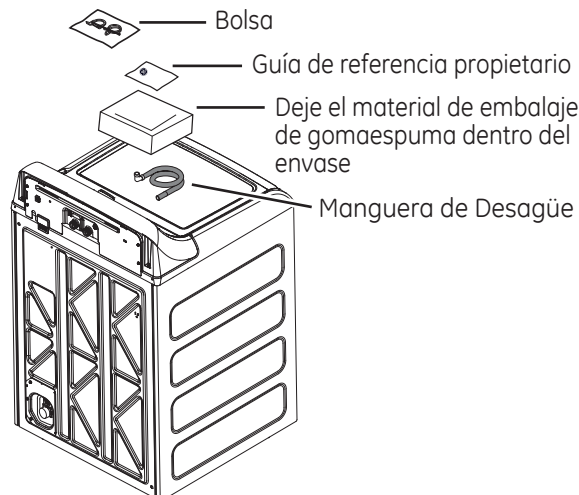
DRENAJE - Se puede drenar el agua hacia un tubo vertical. La altura de descarga **NO DEBE SER MENOR DE 76 cm (30 pulg.)**, ni debe encontrarse a más de 2,4 m (8 pies) de la base de la lavadora. El diámetro interno del tubo vertical debe ser de 3,8 cm (1-1/2 pulg.) como mínimo y debe encontrarse abierto a la atmósfera.

1 DESEMBALAJE DE LA LAVADORA

Cuando la lavadora se encuentre en su hogar, deseche el material de empaque sobrante de la lavadora.

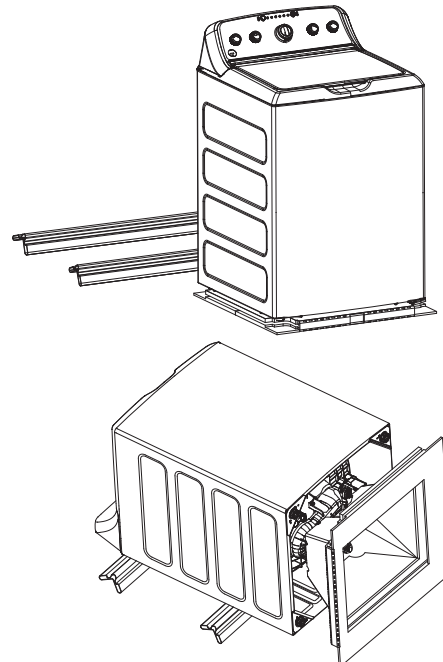
Retire la bolsa (con la abrazadera, el enlace para cable y el sujetador para la manguera de drenaje), la manguera de drenaje Manguera de drenaje y guía de referencia propietario del envase.

NOTA: Deje el material de embalaje de gomaespuma F dentro del envase para sostener el mismo en su lugar durante el resto de la instalación.



2 RETIRE LA BASE

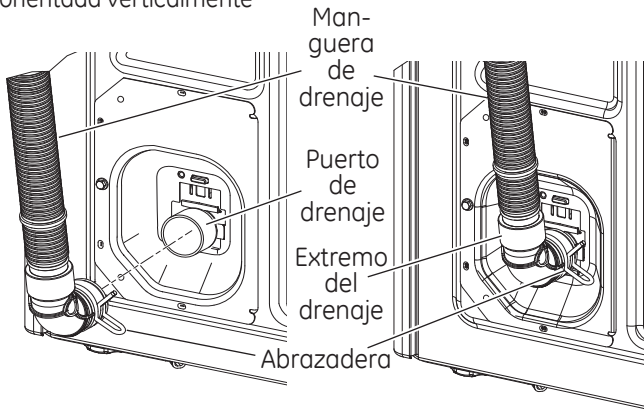
Retire la base de la unidad colocando el pie al costado de la base e inclinando la unidad nuevamente hacia la posición del ángulo. Retire la base y vuelva a enderezar la lavadora.



Instrucciones de instalación

3 CONECTE LA MANGUERA DE DESAGÜE A LA LAVADORA

Conecte la manguera de desagüe al puerto de drenaje en la parte trasera de la lavadora. Abra la abrazadera con las pinzas y deslice las mismas sobre el extremo de la manguera. Manteniendo la abrazadera abierta, presione el extremo de la manguera sobre el puerto de drenaje hasta que quede completamente insertada. Libere la abrazadera entre los resortes de ubicación en el extremo de la manguera. La salida del extremo de la manguera debe estar orientada verticalmente



5 CONECTE LAS MANGUERAS DE AGUA A LAS VÁLVULAS DE SALIDA

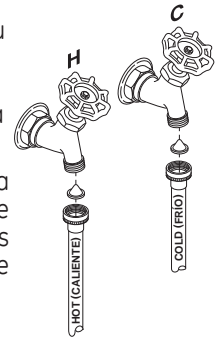
Averigüe cuál es la tubería de agua CALIENTE antes de conectar las mangueras de agua a las llaves. Generalmente, la llave de agua CALIENTE se encuentra a la izquierda.

(Si los filtros/arandelas de caucho no están presentes) Con la parte convexa del filtro hacia usted, coloque el filtro y la arandela de caucho en cada uno de los extremos libres de las mangueras de agua.

Conecte la manguera de agua caliente a una válvula de salida de agua caliente en su hogar. Ajuste manualmente y use una pinza para ajustar las mangueras entre 1/4 y 1/2 giro luego del ajuste manual. Abra la válvula de agua caliente.

Conecte la manguera de agua fría S a una válvula de salida de agua fría en su hogar. Ajuste manualmente y use una pinza para ajustar las mangueras entre 1/4 y 1/2 giro luego del ajuste manual. Abra la válvula de agua fría.

Controle la presencia de pérdidas y goteos en las uniones de las mangueras. Ajuste según sea necesario.

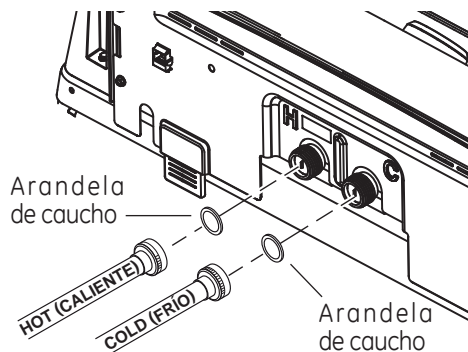


4 CONECTE LAS MANGUERAS DE AGUA A LA LAVADORA

Antes de instalar las mangueras de agua, saque el cordón eléctrico de su lugar de almacenamiento. Si no está presente, instale la arandela de caucho en un extremo de la manguera de agua caliente. Enrosque la manguera de agua caliente en la pieza para conexión con etiqueta H en la parte posterior superior de la lavadora. Apriétela con la mano y luego gírela un octavo de vuelta más con una pinza. Ajuste manualmente y use una pinza para ajustar las mangueras entre 1/8 y 1/4 de giro luego del ajuste manual.

Si no está presente, instale la arandela de caucho en un extremo de la manguera de agua fría (C). Enrosque la manguera de agua fría en la pieza para conexión con etiqueta C en la parte posterior superior de la lavadora. Ajuste manualmente y use una pinza para ajustar las mangueras entre 1/8 y 1/4 de giro luego del ajuste manual.

Coloque la lavadora lo más cerca posible a su lugar definitivo para que se pueda drenar el agua y se puedan efectuar las conexiones eléctricas.



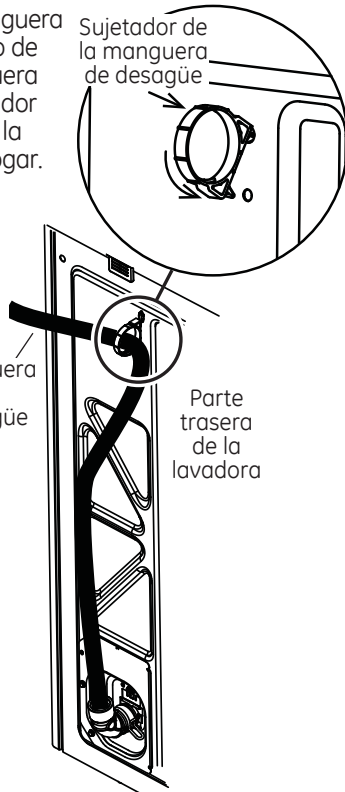
Instrucciones de instalación

6 CONECTE AL DRENAJE

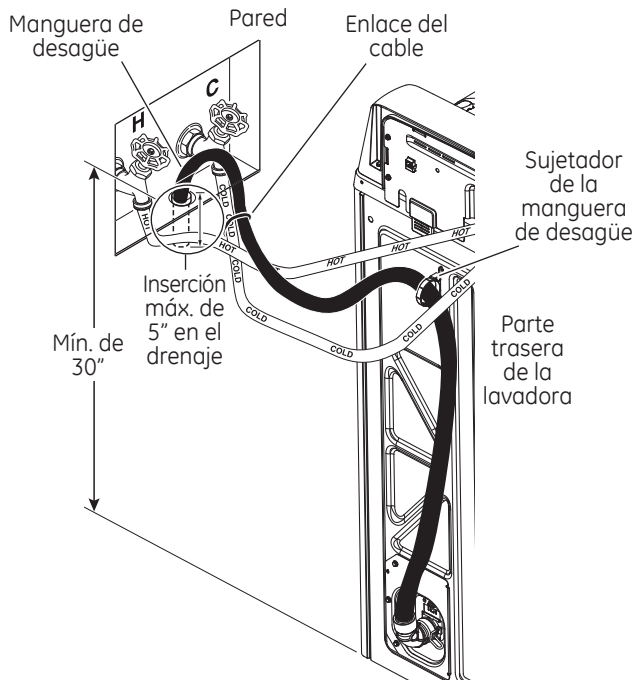
Instale el sujetador de la manguera de drenaje en el panel trasero de la lavadora. Oriente la manguera de drenaje a través del sujetador e inserte el extremo libre en la abertura del drenaje de su hogar.

NOTA: Si se requiere una manguera de drenaje más larga, mande a pedir el equipo de extensión de la manguera de drenaje, número de pieza GE Appliances WH49X301.

Conecte la manguera de drenaje adicional (incluida en el equipo de extensión) a la manguera original usando la abrazadera para la manguera (también incluida en el equipo de extensión).



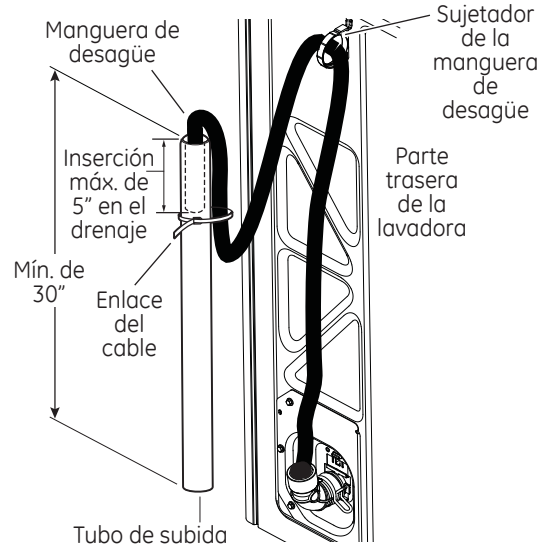
Si las válvulas de agua y el drenaje están adheridos a la pared, ajuste la manguera de desagüe a una de las mangueras de agua con el enlace para cable provisto.



NOTA: Colocar la manguera de drenaje muy debajo de la tubería de drenaje puede provocar un efecto de sifón. No debe haber más de 5 pulgadas de manguera en la tubería de drenaje. Debe haber un espacio de aire alrededor de la manguera de drenaje. Si la manguera está muy ajustada, también puede provocarse un efecto de sifón.

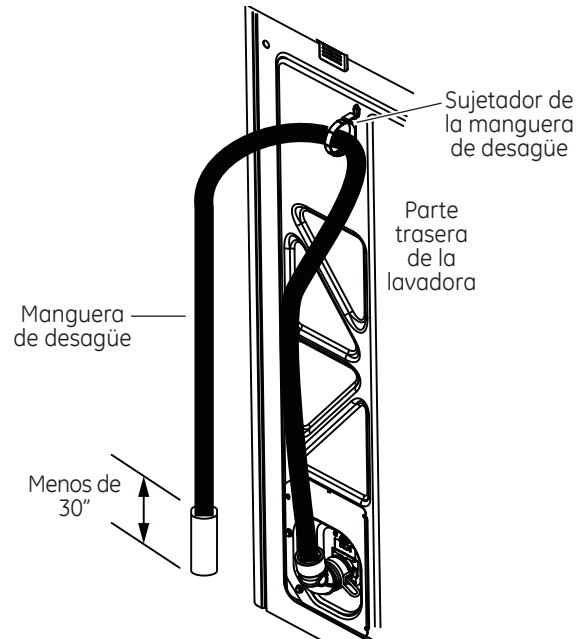
6 CONECTE AL DRENAJE (Continúa)

Si el drenaje es un tubo de subida, ajuste la manguera de drenaje al tubo de subida con el enlace de cable provisto.



NOTA: Colocar la manguera de drenaje muy debajo de la tubería de drenaje puede provocar un efecto de sifón. No debe haber más de 5 pulgadas de manguera en la tubería de drenaje. Debe haber un espacio de aire alrededor de la manguera de drenaje. Si la manguera está muy ajustada, también puede provocarse un efecto de sifón.

Si la altura de la descarga del drenaje no cubre el requisito de altura mínima de 30", el extremo de la manguera de desagüe debe ser asegurado por un instalador en la abertura del desagüe del hogar y se deberá dejar una brecha de aire alrededor de la manguera para evitar sifonajes.



NOTA: Colocar la manguera de drenaje muy debajo de la tubería de drenaje puede provocar un efecto de sifón. No debe haber más de 5 pulgadas de manguera en la tubería de drenaje. Debe haber un espacio de aire alrededor de la manguera de drenaje. Si la manguera está muy ajustada, también puede provocarse un efecto de sifón.

Instrucciones de instalación

REQUISITOS ELÉCTRICOS

⚠ ADVERTENCIA - Riesgo de Descarga Eléctrica

Enchufe a un tomacorriente de 3 clavijas con conexión a tierra.

NO retire la terminal de tierra.

NO UTILICE un cable de extensión.

NO UTILICE un enchufe adaptador con este artefacto.

Si no se siguen estas instrucciones, se podrá producir la muerte, incendio o descargas eléctricas.

CIRCUITO – individual, correctamente polarizado y conectado a un disyuntor de 15 o 20 amperes o a un fusible con retardo.

SUMINISTRO DE CORRIENTE – 2 cables y conexión a tierra, 120 voltios, fase simple, 60 Hz., corriente alterna.

Receptáculo Externo – receptáculo de 3 clavijas correctamente conectado a tierra, ubicado de modo que el cable de corriente esté accesible cuando la lavadora esté en una posición instalada. Si hay un receptáculo de 2 clavijas, es responsabilidad del propietario solicitar a un electricista matriculado que reemplace el mismo por un receptáculo de 3 clavijas con conexión a tierra, que esté correctamente conectado a tierra.



La lavadora deberá estar correctamente conectada a tierra de acuerdo con los códigos y ordenanzas locales, o en ausencia de códigos locales, con la última edición del Código Eléctrico Nacional, ANSI/NFPA NO. 70 o el Código Eléctrico Canadiense, CSA C22.1. En caso de no estar seguro de que la lavadora esté correctamente conectada a tierra, consulte a un electricista matriculado.

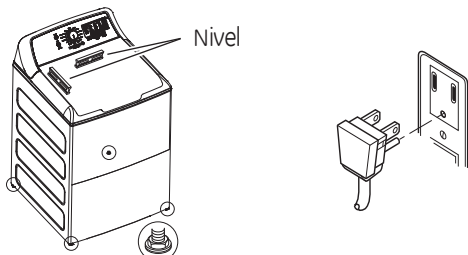
7 CONECTE LA CORRIENTE E INSTALE

Asegúrese de que la perilla de control (en algunos modelos) de la lavadora se encuentra presionado, en la posición de apagado (OFF).

Enchufe el cordón eléctrico en un tomacorriente de 115 voltios y de 15 ó 20 amperios. Desplace la lavadora hacia su posición final. Coloque el nivel en el extremo superior lateral de la lavadora. Ajuste las cuatro patas niveladoras hasta que la lavadora esté nivelada de izquierda a derecha y del frente a la parte trasera. Quite el nivel.

Abra la tapa del tambor. Quite tina material evio (consulte el paso 1).

Quite la lámina protectora de plástico del frente del tablero de control.

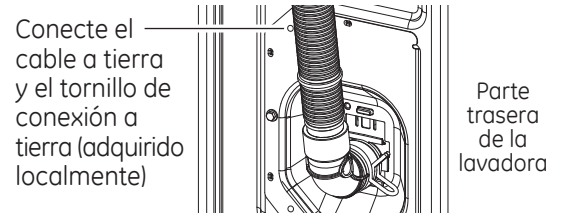


INSTRUCCIONES DE CONEXIÓN A TIERRA

Este electrodoméstico deberá estar conectado a tierra. En caso de avería o mal funcionamiento, la conexión a tierra reducirá el riesgo de descargas eléctricas al brindar un camino con una resistencia menor para la corriente eléctrica. Este electrodoméstico está equipado con un cable con un conductor para la conexión a tierra del equipo y un enchufe con conexión a tierra. El enchufe deberá estar conectado a un tomacorriente instalado en forma adecuada y con conexión a tierra de acuerdo con todos los códigos y ordenanzas locales.

⚠ ADVERTENCIA Una conexión inapropiada del conductor de conexión a tierra del equipo puede provocar riesgos de descargas eléctricas. Consulte a un electricista calificado o personal o representantes del servicio técnico si tiene dudas de que el electrodoméstico se encuentre conectado a tierra apropiadamente. **NO** modifique el enchufe en el cable de suministro de corriente. Si no coincide con la toma de corriente, contrate a un electricista calificado para que instale una toma de corriente en forma adecuada.

Si los códigos locales lo requieren, se podrá agregar un cable a tierra externo de cobre de calibre 18 o más grande (no provisto). Adhiera el gabinete de la lavadora con un tornillo de chapa metálica N°10-16 x 1/2" (disponible en cualquier tienda de repuestos) a la parte trasera de la lavadora, siguiendo la ilustración.



Instalación en Casas Rodantes:

La instalación se deberá realizar conforme con la Ley de Estándar para Casas Rodantes (Standard for Mobile Homes), ANSI A119.1 y de Estándares Nacionales de Construcción y Seguridad de Casas Rodantes (National Mobile Home Construction and Safety Standards Act) de 1974 (PL93-383).

FINAL CHECKLIST

Antes de poner en funcionamiento la lavadora, asegúrese de comprobar lo siguiente:



- La alimentación está conectada.
- La lavadora está enchufada.
- Las llaves de paso están abiertas.
- La lavadora está nivelada y que cada una de las cuatro patas niveladoras estén en contacto con el piso.
- La gomaespuma del embalaje y cartón debe ser retirada.
- La tubería de desagüe se ha asegurado correctamente.
- No existe ninguna fuga en la llave de paso, la tubería de desagüe ni la lavadora.

Ponga en funcionamiento la lavadora en un ciclo completo.

- Compruebe que no haya fugas de agua y que funcione correctamente.
- Coloque las instrucciones en un lugar próximo a la lavadora para futuras consultas.

Antes de llamar para solicitar servicio...Consejos para la solución de problemas.

¡Ahorre tiempo y dinero! Consulte primero las tablas de las páginas siguientes o visite GEAppliances.com y quizás no necesite llamar al servicio.

AGUA	Causas posibles	Qué hacer
Quedó una cantidad pequeña de agua en el dispensador (en algunos modelos) al final del ciclo	Funcionamiento normal del dispensador	Es normal que una cantidad pequeña de agua permanezca en el dispensador luego del ciclo.
Espray corto y retraso luego de presionar el botón Start (Iniciar)	La tapa fue abierta y cerrada entre la selección del ciclo y el inicio	Esto es normal. Lea la sección <i>SECUENCIA DE INICIO</i> en las <i>Instrucciones de seguridad</i> .
El nivel de agua parece bajo	Esto es normal	El agua puede no cubrir el nivel superior de las prendas. Esto es normal para esta lavadora de alta eficiencia.
Flujo bajo de agua	Los filtros de malla de la válvula de agua están tapados	Cierre la llave del agua y quite las mangueras de conexión de agua de la parte superior trasera de la lavadora y de los grifos de agua. Limpie ambos filtros de las mangueras (si están equipadas con estos) y los filtros de la máquina usando un cepillo o un cepillo de dientes. Vuelva a conectar las mangueras y abra el agua de nuevo. Asegúrese de que no haya pérdidas en las conexiones.
El agua genera un efecto de sifón hacia afuera de la lavadora	El tubo de alimentación del drenaje está demasiado bajo o la manguera está demasiado lejos del tubo de subida	La manguera de drenaje debe superar las 30" en algún punto entre la parte trasera de la lavadora y el tubo de drenaje. Use un sujetador anti sifonaje. Lea las <i>Instrucciones de Instalación</i> .
Demasiada espuma	Agua blanda	Pruebe con menos detergente.
	Demasiado detergente	Mida el detergente con cuidado. Use menos jabón si tiene agua blanda, una carga más liviana o ropa poco sucia.
	Tipo de detergente	Cambie a detergente de Alta Eficiencia tales como  .
Fugas de agua	Tipo de detergente	Cambie a detergente de Alta Eficiencia tales como  .
	Demasiado detergente en la lavadora	Use menos detergente. Use menos jabón si tiene agua blanda, una carga más liviana o ropa poco sucia.
	La manguera de llenado o la de desagüe está mal conectada	Asegúrese de que las conexiones de la manguera estén firmes en los grifos y que las arandelas de goma estén instaladas. Asegúrese de que el extremo de la manguera de desagüe esté insertado como corresponde y bien seguro al desagüe.
	Desagüe de la casa está tapado	Examine la tubería de la casa. Tendrá que llamar al fontanero.
	La manguera de desagüe roza la pared	Asegúrese de que la manguera de desagüe no haga contacto con la pared. Esto puede provocar un desgaste excesivo en la manguera.
	Presión de agua constante a las mangueras de llenado en la fuente de agua	Ajuste las mangueras a los grifos. Verifique la condición de las mangueras de llenado; se deben reemplazar cada 5 años.
	La temperatura del agua parece incorrecta	Temperaturas más frías del agua proporcionan mayor eficiencia energética
	La provisión de agua está cerrada o mal conectada	Se han formulado nuevos detergentes para colada que las mangueras están conectadas a los grifos correctos. NOTA: Las válvulas de agua están marcadas con "H" y "C".
	Los filtros de malla de la válvula de agua están tapados	Cierre la llave del agua y quite las mangueras de conexión de agua de la parte superior trasera de la lavadora y de los grifos de agua. Limpie ambos filtros de las mangueras (si están equipadas con estos) y los filtros de la máquina usando un cepillo o un cepillo de dientes. Vuelva a conectar las mangueras y abra el agua de nuevo. Asegúrese de que no haya pérdidas en las conexiones.
	Agua fresca/fría cuando se selecciona caliente.	Esto es normal. La lavadora detecta la temperatura del agua (en algunos modelos) y la optimiza para mejores resultados. El agua fría se agrega en forma periódica cuando se selecciona agua caliente.
	El calentador de agua de la casa no está configurado correctamente	Asegúrese de que el calentador esté suministrando agua a 120°F-140°F (48°C-60°C).
Agua bombeada antes de completarse el ciclo	La puerta está levantada o el ciclo se puso en pausa por más de 12 horas	Reconfigure el ciclo.
El agua no drena	La manguera de desagüe está doblada o mal conectada	Enderece la manguera de desagüe y asegúrese de que la lavadora no esté apoyada sobre ella. La parte superior de la salida del desagüe debe estar a menos de 8 pies (2,44 m) por encima del piso.
La lavadora se gira y pausa en el inicio de los ciclos	Esto es normal	La lavadora está sintiendo la carga.
La lavadora se interrumpe durante el ciclo de lavado	Se seleccionó la opción Soak (Remojo)	Esto es normal. La lavadora alterna entre agitar y remojar durante estos ciclos para que sus prendas se limpien mejor con menos desgaste.
	Esto es normal	Muchos ciclos incorporan una serie de opciones de remojo dentro del período de agitación, a fin de dejar su ropa limpia con menor desgaste.

Antes de llamar para solicitar servicio...Consejos para la solución de problemas.

OPERACIÓN	Causas posibles	Qué hacer
Polvo residual en el dispensador o atascamiento de los dispensadores (en algunos modelos)	El agua usada para el lavado es demasiado fría o la presión de agua es baja en el hogar	Seleccione una temperatura de lavado más caliente, si es posible, para que el detergente se disuelva de mejor manera o use detergente líquido. Asegúrese de que las tapas de sifoneo estén libres de suciedad y completamente presionadas en sus respectivas posiciones. Retire y limpie la bandeja en caso de atascamiento.
Los aditivos de lavado se dispensan demasiado rápido (Dispensadores en algunos modelos)	Desborde de los dispensadores	No sobrecargue ni agregue agua al dispensador. Seleccione la opción Deep Rinse (Enjuague Profundo) al usar el suavizante para telas.
La lavadora se interrumpe durante el ciclo de centrifugado	Esto es normal	La lavadora puede hacer pausas durante el ciclo de centrifugado para eliminar el agua jabonosa con más eficiencia.
La lavadora no funciona	La lavadora no está enchufada	Asegúrese de que el cable esté bien enchufado a un tomacorriente que funcione.
	La fuente de agua está cerrada	Abra por completo los grifos de agua fría y caliente.
	La puerta está abierta—una característica de seguridad impide la agitación y centrifugado cuando la puerta está levantada	Cierre la puerta y oprima Start .
	El disyuntor/fusible está cortado/quemado	Verifique el disyuntor/fusibles. Reemplace los fusibles o reajuste el disyuntor. La lavadora debe tener un tomacorriente separado.
	Hay que reajustar la electrónica	Desenchufe la lavadora, espere 2 minutos, vuelva a enchufarla y oprima Start .
No se oprió Start	Oprima Start .	
Los paquetes de detergente no se disuelven	El paquete de detergente para ropa sucia se colocó en el dispensador	Los paquetes de detergente de ropa sucia no deberían ser usados en el dispensador. Sólo se deberían agregar directamente a la canasta de la lavadora, siguiendo las instrucciones del fabricante.
Cambios sin explicación en el tiempo y/o la configuración	Opciones de cambios (en algunos modelos)	Esto es normal. Varias opciones cambiarán otras opciones a fin de maximizar el desempeño del lavado.
El tambor parece suelto libremente	El tambor se mueve o gira	El tambor de la lavadora no cuenta con un freno tradicional. El tambor se mueve libremente. Esto es normal.
RENDIMIENTO	Causas posibles	Qué hacer
Manchas de colores	Uso incorrecto del tejido suavizante	Lea las instrucciones en el envase del suavizante y siga las recomendaciones para el uso del dosificador. Verifique que haya seleccionado la opción de Deep Rinse (Enjuague Profundo) . Trate manchas en forma previa y vuelva a lavar usando el ciclo Speed Wash (Lavado Rápido) antes de secar.
	Transferencia de colores	Separe las prendas blancas o de colores claros de las de colores oscuros.
Prendas grises o amarillentas	Cantidad de detergente	Asegúrese de seguir las instrucciones del fabricante del detergente.
	Agua pesada	Use un acondicionador de agua o instale un suavizador de agua.
	El agua no está lo suficientemente caliente	Asegúrese de que el calentador de agua esté suministrando agua a 120°F–140°F (48°C–60°C).
	La lavadora está sobrecargada	Cargue ropa de forma no excesiva de modo que no supere la fila superior de la canasta de la lavadora. Para un mejor resultado, cargue los ítems alrededor de la parte exterior de la canasta.
Transferencia de colores	Separe las prendas por color. Si la etiqueta de la tela indica lavar separadamente, pueden estar indicados los colores inestables.	
Pelusa o residuos en las prendas	Las prendas son secadas al aire o en el tendedor	Si no seca su colada con una secadora, sus prendas pueden retener más pelusa.
	Separación incorrecta	Separe los productores de pelusa de los que la captan.
	Lavado demasiado prolongado	Lave cantidades pequeñas durante un período más corto, usando la configuración Light Soil (Suciedad Level) .
	El detergente no se disuelve	Vuelva a lavar; la próxima vez: Pruebe un detergente líquido. Use una temperatura del agua más caliente.
	Sobrecarga	Agregue las prendas sin apretar en el tambor de la lavadora. Para un mejor resultado, cargue los ítems alrededor de la parte exterior de la canasta.
	Uso incorrecto del tejido suavizante	Lea las instrucciones en el envase del suavizante y siga las recomendaciones para el uso del dosificador. Verifique que haya seleccionado la opción de Deep Rinse (Enjuague Profundo) .

RENDIMIENTO (cont.)	Causas posibles	Qué hacer
La ropa está demasiado mojada	No se seleccionó ningún giro	Seleccione una opción de giro.
	Ciclo seleccionado incorrecto	Asegúrese que el ciclo seleccionado coincida con la carga que esté lavando. Algunas telas se sentirán más húmedas cuando se enjuaguen con agua fría.
	Carga de lavado desbalanceada	Redistribuya la carga en la lavadora y active el ciclo de Drain & Spin (Secar y Centrifugar).
Luz intermitente de giro o la luz giro en al final del ciclo	Una condición de desequilibrio es detectado por la lavadora	Deje que el ciclo continúe y acabado. La carga es más húmedo de lo normal al fin del ciclo, redistribuye la carga de manera uniforme en el tambor de lavado y ejecute un ciclo de Drain & Spin (Drenar y Girar).
Formación de bolitas	Resultado del desgaste normal de mezclas de algodón y poliéster telas con pelusa	Si bien esto no se debe a la lavadora, puede reducir la velocidad del proceso de formación de bolitas lavando las prendas dadas vuelta.
Enganches, agujeros, desgarras, rasgones o desgaste excesivo	Alfileres, broches, ganchos, botones cortantes, hebillas de cinturón, cierres y objetos cortantes dejados en los bolsillos	Cierre broches, ganchos, botones y cierres. Retire los objetos sueltos como alfileres, objetos en los bolsillos y botones cortantes. De vuelta las prendas de punto (que se enganchan fácilmente).
	Blanqueador con cloro no diluido	Vea las instrucciones en el envase del blanqueador para ver la cantidad correcta. No agregue blanqueador sin diluir a la colada ni permita que las prendas entren en contacto con el blanqueador sin diluir.
	Químicos como el blanqueador para el cabello o tinte, solución para permanente	Enjuague las prendas que puedan tener químicos antes de lavarlas. Use el ciclo Speed Wash (Lavado Rápido) con la opción Extra Rinse (Enjuague Adicional).
Arrugas	Ciclos de lavado y secado incorrectos	Haga coincidir la selección del ciclo con el tipo de tela que esté lavando (especialmente para cargas fáciles de limpiar).
	Separación incorrecta	Evite mezclar las prendas pesadas (como vaqueros) con otras livianas (como blusas). Pruebe con un suavizante.
	Sobrecarga	Agregue las prendas sin apretar en el tambor de la lavadora.
	Lavado repetido en agua demasiado caliente	Lave en agua tibia o fría.
SONIDOS	Causas posibles	Motivo
"Clic"	El mecanismo de conmutación está enganchado o suelto	El sistema de transmisión se engancha al inicio de la agitación y se suelta cuando ésta se completa. Esto ocurre varias veces durante el lavado.
"Silbidos" oscilantes	El motor eléctrico revierte la dirección	Éste es el sonido que hace el motor al rotar hacia atrás para limpiar la lavado.
Sonido de "clic" detrás el panel de control mientras llena	Válvula de control de la temperatura del agua	Dos válvula mezcla el agua fría y la caliente. El "clic" es cuando cualquier válvula se enciende o apaga para elevar o reducir la temperatura de llenado de agua.
El flujo de agua cambia durante el llenado	Válvula de control de la temperatura del agua	Dos válvula mezcla el agua fría y la caliente. El flujo cambia cuando cualquier válvula se enciende o apaga para elevar o reducir la temperatura de llenado de agua.
Sonidos del motor durante los giros	El motor cambie la velocidad de la temperatura del agua	El motor va aumentando la velocidad durante el ciclo de centrifugado. Cuando el centrifugado se completa, se irá deteniendo hasta que pare.
"Zumbido"	Bomba de desagüe	La bomba de desagüe hará un zumbido cuando elimine el agua tras la agitación y continuará hasta que se complete el centrifugado.
	Motor de conducción	El motor de conducción generará un "zumbido" durante el lavado y las fases de giro del ciclo.
"Gorgoteo"	Bomba de desagüe	Cuando la bomba comienza a aspirar aire, hace un gorgoteo. La lavadora comenzará el centrifugado y el sonido continuará hasta que se complete el centrifugado.
El agua "borbotea"	Proceso de lavado	Resulta normal que el agua borbotee mientras la unidad realiza la agitación, especialmente con cargas pequeñas.
La lavadora se balancea/mueve	La lavadora patas niveladoras torcida	Para nivelar la lavadora, ajuste las patas de nivelación girando la pata individual en la dirección apropiada para subir o bajar.
Sonido de "chillido"	La lavadora no está nivelada y hay roce en el gabinete	Para nivelar la lavadora, ajuste las patas de nivelación girando la pata individual en la dirección apropiada para subir o bajar.

Lavadora sonidos que pueden ser diferentes de la lavadora antes:

'Clic', el agua que fluye, sonidos de engranajes seguidos por pausas, y los sonidos de zumbidos eléctricos son parte del ciclo de lavado normal.

Para escuchar y ver vídeos de funcionamiento normal lavadora, por favor vaya a <http://products.geappliances.com/appliance/gea-support-search-content?contentid=23061> o escanear el código QR. **NOTA:** El sitio web es sólo en Inglés, pero los videos son todavía útiles para escuchar los sonidos que pueda oír.



Garantía de la lavadora GE Appliances.



Todos los servicios de garantía se ofrecen a través de nuestros centros de asistencia técnica o un técnico autorizado de Customer Care®. Para programar servicio, visite la página **GEAppliances.com** o llame GE Appliances al **800.GE.CARES** (1.800.432.2737). Cuando llame para solicitar servicio, por favor tenga a mano el número de serie y el número de modelo.

Engrape el recibo aquí.
Se necesita el comprobante con la fecha de compra original para que la garantía cubra los servicios.

Para realizar el servicio técnico de su electrodoméstico se podrá requerir el uso de datos del puerto de abordaje para su diagnóstico. Esto da al técnico del Servicio de Fábrica de GE Appliances la habilidad de diagnosticar de forma rápida cualquier problema con su electrodoméstico, y de ayudar a GE Appliances a mejorar sus productos al brindarle a GE Appliances la información sobre su electrodoméstico. Si no desea que los datos de su electrodoméstico sean enviados a GE Appliances, solicitamos que le indique a su técnico NO entregar los datos a GE Appliances en el momento del servicio.

Por el período de: Reemplazaremos:

Un año
De la fecha de la compra original

Cualquier pieza especificada de fábrica de la lavadora que falle debido a un defecto de los materiales o la mano de obra. Durante esta **garantía limitada de un año**, también ofrecemos, **en forma gratuita**, toda la mano de obra y los costos de servicio para reemplazar la pieza defectuosa.

Diez años
De la fecha de la compra original

El motor, si falla debido a un defecto de fabricación o de mano de obra. Durante estos **nueve años adicionales de garantía limitada**, usted será responsable por cualquier trabajo y los costos relacionados con el servicio técnico.

Lo que no está cubierto:

- Viajes del personal de servicio a su casa para enseñarle cómo usar su producto.
- Instalación, entrega o mantenimiento inapropiada.
- Fallas del producto si es maltratado, mal usado, o usado para un propósito diferente del que se creó o si es usado para usos comerciales.
- Cambio de los fusibles de su casa o reajuste del circuito de interruptores.
- Productos sin defectos o rotos, o los cuales se encuentran funcionando como se indica en el Manual del propietario.
- Daños al producto causados por accidentes, incendios, inundaciones o actos de la naturaleza.
- Daños imprevistos resultantes causados por posibles defectos con este electrodoméstico.
- Defectos o daños debido a la puesta en funcionamiento a temperaturas de congelación.
- Daños causados después del envío.
- Producto no accesible para facilitar el servicio requerido.

EXCLUSIÓN DE GARANTÍAS IMPLÍCITAS—Su único y exclusivo derecho es la reparación del producto, tal y como se indica en esta Garantía limitada. Cualquier garantía implícita, incluyendo las garantías implícitas de comerciabilidad o adecuación para un fin determinado, están limitadas a un año o el período de tiempo más breve permitido por la ley.

Esta garantía se extiende al comprador original y a cualquier propietario subsecuente para productos comprados para uso doméstico dentro Estados Unidos. Si el producto está situado en un área que no dispone de servicio por parte de un proveedor de servicio autorizado de GE Appliances, podría tener que hacerse cargo de los costes de envío o bien podría solicitársele que lleve el producto a un centro de servicio de GE Appliances autorizado para realizar la reparación. En Alaska, la garantía excluye el costo de envío o las visitas de servicio a su casa.

Si necesita solicitar piezas de repuesto, le recomendamos que utilice sólo las piezas de GE Appliances especificadas de fábrica. Estas piezas están diseñadas para funcionar con su aparato y se encuentran fabricadas y probadas para cumplir con las especificaciones de GE Appliances.

Algunos estados no permiten la exclusión o limitación de daños imprevistos. Esta garantía le da sus derechos legales específicos, y es posible que usted tenga otros derechos legales que varían de estado a estado. Para informarse de cuáles son sus derechos legales, consulte a su oficina de asuntos del consumidor local o estatal o póngase en contacto con la Oficina de su Procurador General.

Garante: GE Appliances

Notas.

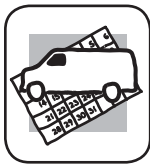
Soporte al consumidor.



Página Web de GE Appliances

GEAppliances.com

¿Tiene alguna pregunta sobre su electrodoméstico? ¡Pruebe la página Web de GE Appliances 24 horas al día, cualquier día del año! Para mayor conveniencia y servicio más rápido, ya puede descargar los Manuales de los Propietarios, pedir piezas o incluso hacer una cita en línea para que vengan a realizar una reparación.



Solicite una reparación

GEAppliances.com

El servicio de expertos GE Appliances está a tan sólo un paso de su puerta. ¡Entre en línea y solicite su reparación cuando le venga bien al día cualquier día del año! O llame GE Appliances al 800.GE.CARES (800.432.2737) durante horas normales de oficina.



Real Life Design Studio (Estudio de diseño para la vida real)

GEAppliances.com

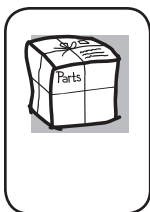
GE Appliances apoya el concepto de Diseño Universal—productos, servicios y ambientes que pueden usar gente de todas las edades, tamaños y capacidades. Reconocemos la necesidad de diseñar para una gran gama de habilidades y dificultades físicas y mentales. Para más detalles sobre las aplicaciones de GE Appliances Diseño Universal, incluyendo ideas de diseño para la cocina para personas con discapacidades, mire nuestra página Web hoy mismo. Para personas con dificultades auditivas, favor de llamar al 800.TDD.GEAC (800.833.4322).



Garantías ampliadas

GEAppliances.com

Compre una garantía ampliada y obtenga detalles sobre descuentos especiales disponibles mientras su garantía está aún activa. Puede comprarla en línea en cualquier momento, o llamar al 800.626.2224 durante horas normales de oficina. GE Appliances Consumer Home Services estará aún ahí cuando su garantía termine.



Piezas y accesorios

GEApplianceparts.com

Aquellos individuos con la calificación necesaria para reparar sus propios electrodomésticos pueden pedir que se les manden las piezas o accesorios directamente a sus hogares (aceptamos las tarjetas VISA, MasterCard y Discover). Haga su pedido en línea hoy, 24 horas cada día o llamar por teléfono al 800.626.2002 durante horas normales de oficina.

Si necesita solicitar piezas de repuesto, le recomendamos que utilice sólo las piezas de GE Appliances especificadas de fábrica. Estas piezas están diseñadas para funcionar con su aparato y se encuentran fabricadas y probadas para cumplir con las especificaciones de GE Appliances.

Las instrucciones descritas en este manual cubren los procedimientos a seguir por cualquier usuario. Cualquier otra reparación debería, por regla general, referirse a personal calificado autorizado. Debe ejercerse precaución ya que las reparaciones incorrectas pueden causar condiciones de funcionamiento inseguras.



Póngase en contacto con nosotros

GEAppliances.com

Si no está satisfecho con el servicio que recibe de GE Appliances, póngase en contacto con nosotros en nuestra página Web indicando todos los detalles así como su número de teléfono o escríbanos a:

General Manager, Customer Relations
GE Appliances, Appliance Park
Louisville, KY 40225



Registre su electrodoméstico

GEAppliances.com

¡Registre su nuevo electrodoméstico en línea—cuando usted prefiera! El registrar su producto a tiempo le proporcionará, si surgiera la necesidad, una mejor comunicación y un servicio más rápido bajo los términos de su garantía. También puede enviar su tarjeta de registro pre-impresa que se incluye en el material de embalaje.