



**Copper Thickness**  
14 guage

**100% Recycled & Lead Free**  
For Purity & Personality

**Drain Opening**  
1.5" Standard

**Installation**  
Above Counter

## THANK YOU

We would like to take this opportunity to thank you for choosing Novatto. We hope you are truly satisfied with our product(s) and enjoy it for years to come. As a small business, we learn the most from you, the customer. Please visit the link below to leave us a review and we'll reward you with a \$25 Amazon or Visa gift card.

It's easy as...

- Go to [novattoinc.com](http://novattoinc.com)
- At the top, click [Product Registration](#)
- Find your product model
- Review, submit and enjoy

**NOVATTO**  
WHERE STYLE FLOWS

Novatto | P: 844.404.4242  
[support@novattoinc.com](mailto:support@novattoinc.com)  
[NovattoInc.com](http://NovattoInc.com)



## COPPER VESSEL SINKS 101

Novatto's master artisans who make our beautiful copper sinks start by melting down recycled copper and pour the liquid copper into molds in order to create copper sheets. All of our products are 100% hand hammered from recycled copper. This tradition of copper crafts and artwork has been handed down from generation to generation by the families of our artisans since the 1500's. A typical sink takes 30,000 hammered strikes to complete. Through years of skill and experience passed down from generations the end result is a one of a kind work of art. Novatto's copper sinks are an excellent way to add value to your existing home.

Each piece of copper features its own natural beauty of color, structural character and texture adding a sense of purity, elegance and distinctive look to any design. Copper sinks can be used either in powder rooms as a centerpiece or in a master bedroom for everyday use.

## TOOLS NEEDED FOR ASSEMBLY

(not included)



Questions, problems, missing parts? Before returning to your retailer, call our customer service department at 844.404.4242, 8:00 a.m. - 5 p.m., MT, Monday - Friday. Or email us at: [support@novattoinc.com](mailto:support@novattoinc.com)

# INSTALLATION INSTRUCTIONS

## Copper Vessel Sinks

### Please Note:

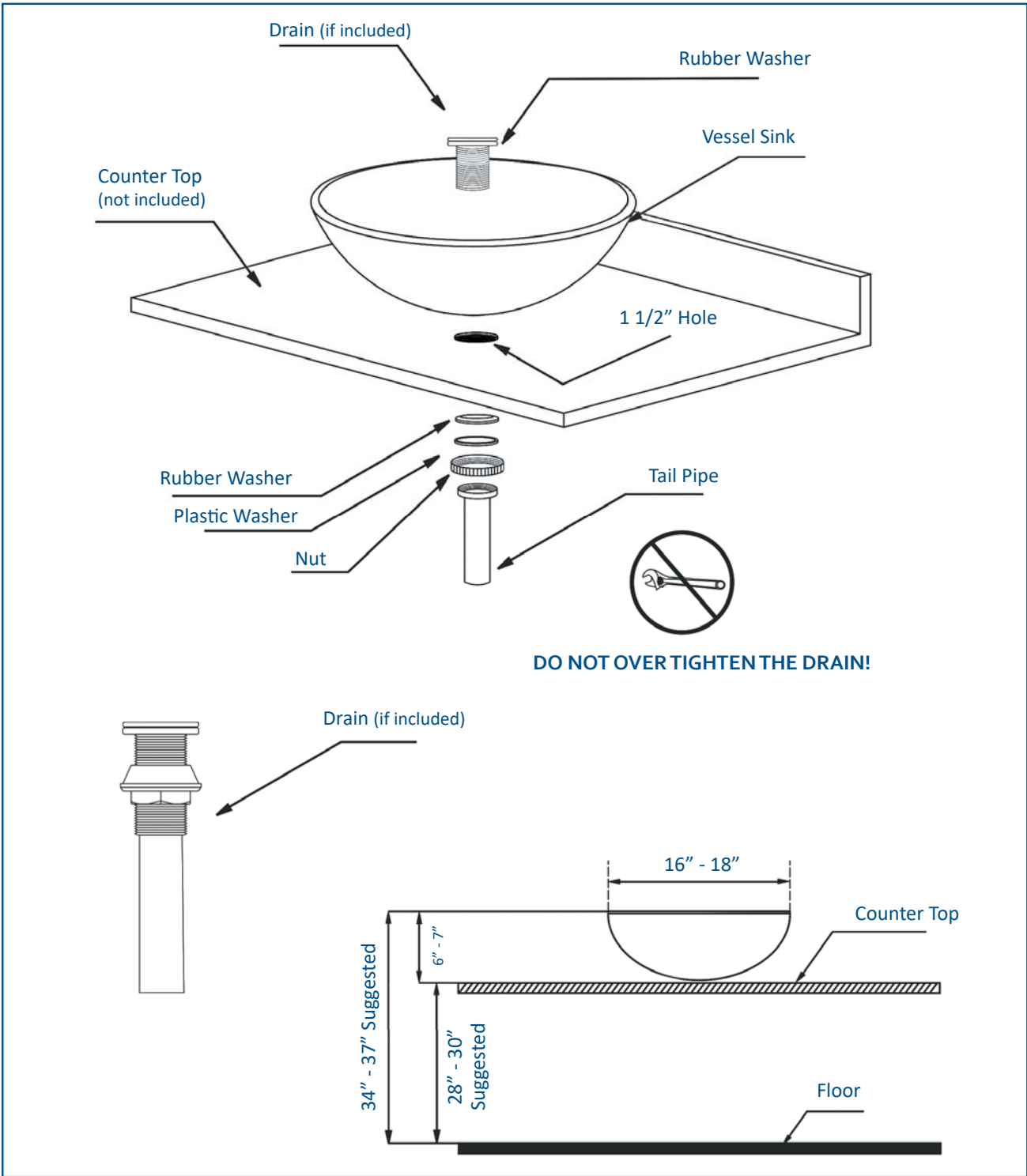
- Review and abide by all building and plumbing codes.
- Use the actual sink for any cutouts.
- Mounting ring not required.
- Novatto sinks need to be installed by a professional.
- Some counters require different cutting methods; seek the details of your chosen countertop material.
- Check to make sure the sink is sealed watertight.



### Steps to Complete Your Project

- **Layout and place** the sink and faucet of your choice in the desired location. Using a pencil, mark the bottom of the sink hole and faucet base. Consider the flow of the faucet when making the location.
- **Drill the countertop** for sink drain opening with a 1 1/2-inch drill bit.
  - Note:** If you wish to have the sink completely flush on the countertop, use a 2 1/2 - inch drill bit. This will allow the whole drain flange to sit into the counter. You will also need an extra wide washer when installing the drain fastener under the counter.
- **Place the vessel** on top of the counter and make sure the drain fits down inside the countertop.
- **Use a level** to ensure the vessel is level in every direction and install the drain.
- **Use a bead** of clear silicone to seal between the outside edge of vessel where it is mounted to the counter.
- **The nut on the drain pipe** will secure the vessel to the countertop.
- **When cleaning** do not use abrasive cleaners.

# ASSEMBLY



## TROUBLESHOOTING TIPS

<u>Issue</u>	<u>Reason</u>	<u>Solution</u>
Sink wobbles or is loose	Drain is loose	Use silicone, tighten drain
Does not completely drain	Drain is too high, wrong seal used	Make sure correct seal is used and is below bevel
Leakage under sink	Drain has come loose	Tighten the fastener under the counter

# THANK YOU

We would like to take this opportunity to thank you for choosing Novatto. We hope you are truly satisfied with our product(s) and enjoy it for years to come. As a small business, we learn the most from you, the customer. Please visit the link below to leave us a review and we'll reward you with a \$25 Amazon or Visa gift card.

## It's easy as...

- Go to [novattoinc.com](http://novattoinc.com)
- In the top left, click "product registration and review"
- Find your product model
- Review, submit... enjoy!

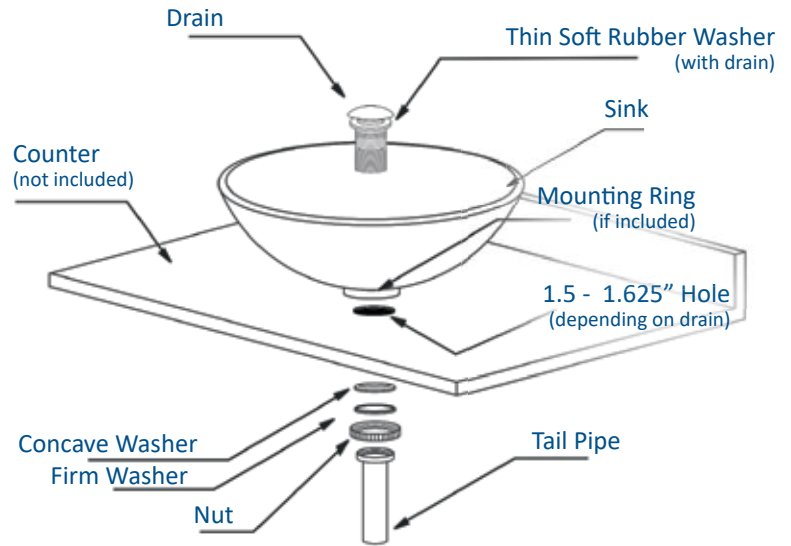
## Please Note:

- Unpack the box and ensure all parts are included.
- Review and abide by all building and plumbing codes.
- Novatto drains need to be installed by a professional.

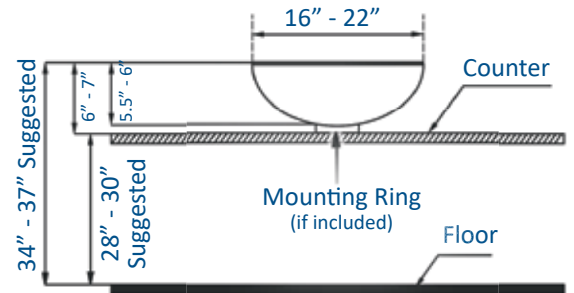
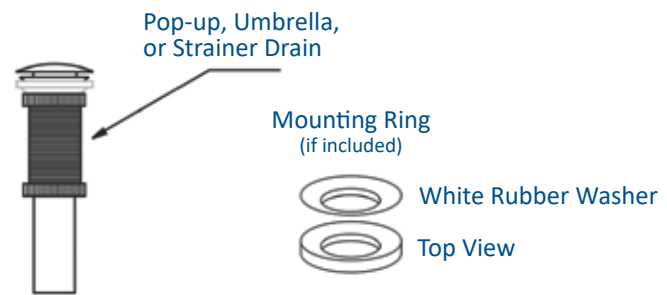
## INSTALLATION INSTRUCTIONS

- **Disassemble drain** and save ALL components.
- **Place the vessel** on top of the counter and make sure the drain fits down inside of the counter. If a mounting ring is used, place it under the sink. The mounting ring will elevate the sink ½" and provide stabilization.
- **Use bead** of silicone to seal between exterior of vessel where it is mounted to the mounting ring or counter.
- **Use a level** to ensure the vessel is level in every direction and install the drain.
- **Align drain** of the sink and tail pipe then partially thread drain body to tail pipe.
- **Connect tail pipe** to plumbing then firmly thread drain to tail pipe.
- **Secure the vessel** to the counter with fastener on the drain. Be sure to not over tighten the drain assembly. Hand tightening will be sufficient.

## ASSEMBLY



**DO NOT OVER TIGHTEN THE DRAIN!**



## TOOLS NEEDED FOR ASSEMBLY (not included)



Questions, problems, missing parts? Before returning, call our customer service department at 844.404.4242, 8:00 a.m. - 5 p.m., MST Monday - Friday or e-mail us at: [support@novattoinc.com](mailto:support@novattoinc.com)

## TROUBLESHOOTING TIPS

Issue	Reason	Solution
Sink wobbles or is loose	Mounting ring not used; drain is loose	Use mounting ring with silicone; tighten drain
Does not completely drain	Pop-up is too high; wrong seal used	Make sure correct seal is used and is below bevel
Leakage under sink	Drain has come loose	Tighten the fastener under the countertop