

Item #739 260  
739 259

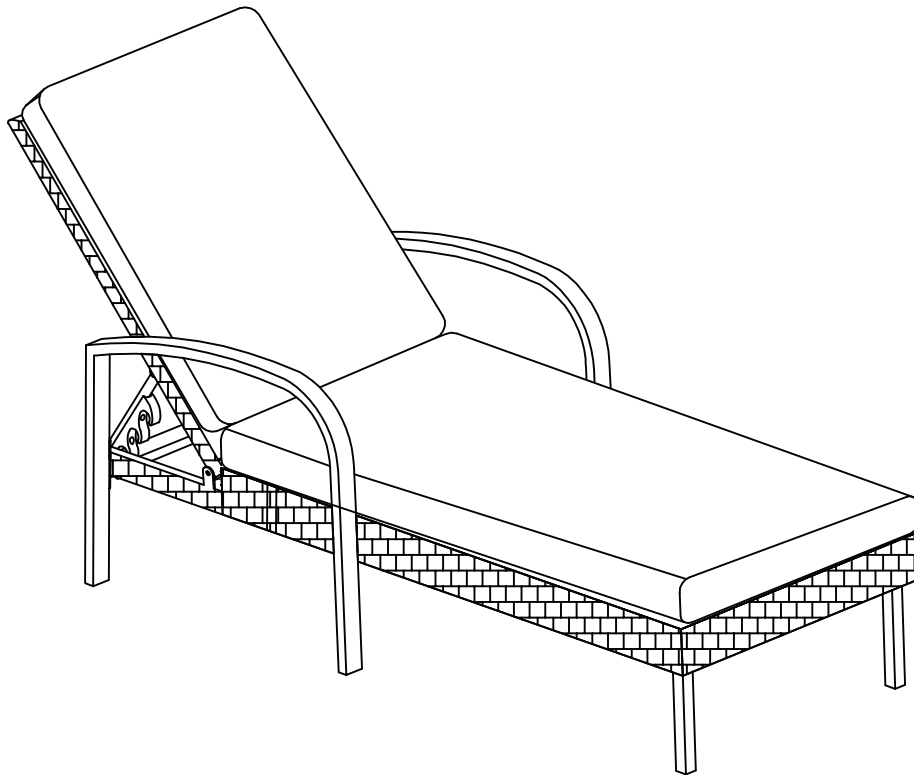


Model #HD17546  
HD17547

## USE AND CARE GUIDE

---

### Corranade Chaise Lounge



Questions, problems, missing parts? Before returning to the store,  
call Hampton Bay Customer Service

8:00 a.m. - 7:00 p.m., EST, Monday-Friday

9:00 a.m. - 6:00 p.m., EST, Saturday

1-855-HD-HAMPTON

HAMPTONBAY.COM

---

#### THANK YOU

We appreciate the trust and confidence you have placed in Hampton Bay through the purchase of this chaise. We strive to continually create quality products designed to enhance your home. Visit us online to see our full line of products available for your home improvement needs. Thank you for choosing Hampton Bay!

# Table of Contents

Table of Contents.....	2	Pre-Assembly .....	3-4
Safety Information.....	2	Planning Assembly.....	3
Warranty.....	2	Hardware Included.....	3
2 Year Frame Limited Warranty.....	2	Package Contents.....	4
2 Year Fabric Limited Warranty.....	2	Assembly.....	5
What Is Covered?.....	2		
What Is Not Covered?.....	2		
Care Instructions.....	2		

# Safety Information



**DANGER:** Keep children out of the assembly area before assembly.



**IMPORTANT:** Check the tightness of all bolts at least once every 90 days.



**WARNING:** Do not put heavy objects on the chaise.

# Warranty

## 2 YEAR FRAME / 2 YEAR FABRIC LIMITED WARRANTY

### WHAT IS COVERED

We warrant the frame to be free of manufacturing defects to the original purchaser for two years and the fabric for two years.

### WHAT IS NOT COVERED

It remains the customer's responsibility for freight and packaging charges to and from our service center. This warranty does not cover commercial use, hardware, acts of nature, fire, freezing and abusive use. In addition, purchased parts are not covered under this warranty. We reserve the right to make substitutions with similar merchandise, if the model in question is no longer in production.

# Care Instructions

Before using, wipe with a clean, dry cloth. Do not use bleach or solvents. Treat the frame with liquid wax for maximum protection against UV light and salty, damp air. When not in use, store furniture in a cool, dry place. If the set includes cushions or mesh fabric, they may be cleaned by hand with a mild solution of soap and water. Rinse cushions thoroughly and allow to drip dry. Do not machine wash or tumble dry, as cushions may shrink. Do not use bleach or solvents on fabrics. When cleaning the chaise make sure to use a soft clean cloth that does not bleed color.

You may contact our customer service department with any questions by phone at 1-855-HD-HAMPTON or visit [www.hamptonbay.com](http://www.hamptonbay.com).

# Pre-Assembly

## PLANNING ASSEMBLY

Assemble this product on a blanket, towel or other soft, non-abrasive surface to avoid scratching the finish.

## HARDWARE INCLUDED



NOTE: Hardware not shown to actual size.



\_\_\_AA



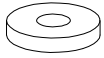
\_\_\_BB



\_\_\_CC



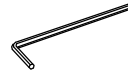
\_\_\_DD



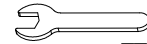
\_\_\_EE



\_\_\_FF



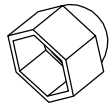
\_\_\_GG



\_\_\_HH



\_\_\_II

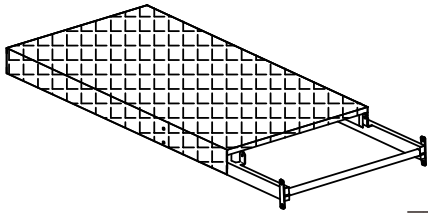


\_\_\_JJ

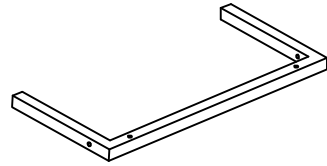
Part	Description	Quantity
AA	Metal Washer	16
BB	Bolt (M6 x 40 mm)	6
CC	Bolt (M6 x 35 mm)	4
DD	Bolt (M6 x 20 mm)	4
EE	Plastic Washer	2
FF	Nut	2
GG	Allen Wrench	1
HH	Hex Wrench	1
II	Plastic Bolt Cap	14
JJ	Plastic Nut Cap	2

# Pre-Assembly (continued)

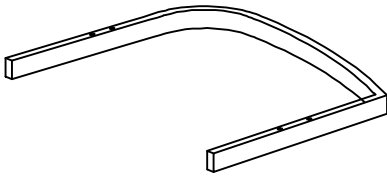
## PACKAGE CONTENTS



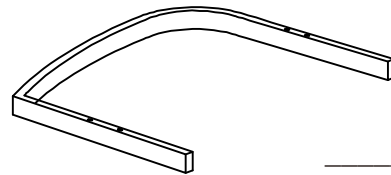
\_\_\_\_\_ **A**



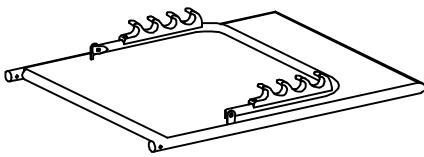
\_\_\_\_\_ **B**



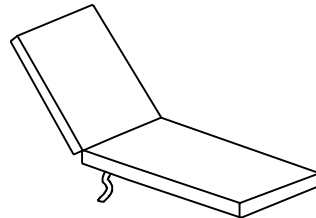
\_\_\_\_\_ **C**



\_\_\_\_\_ **D**



\_\_\_\_\_ **E**



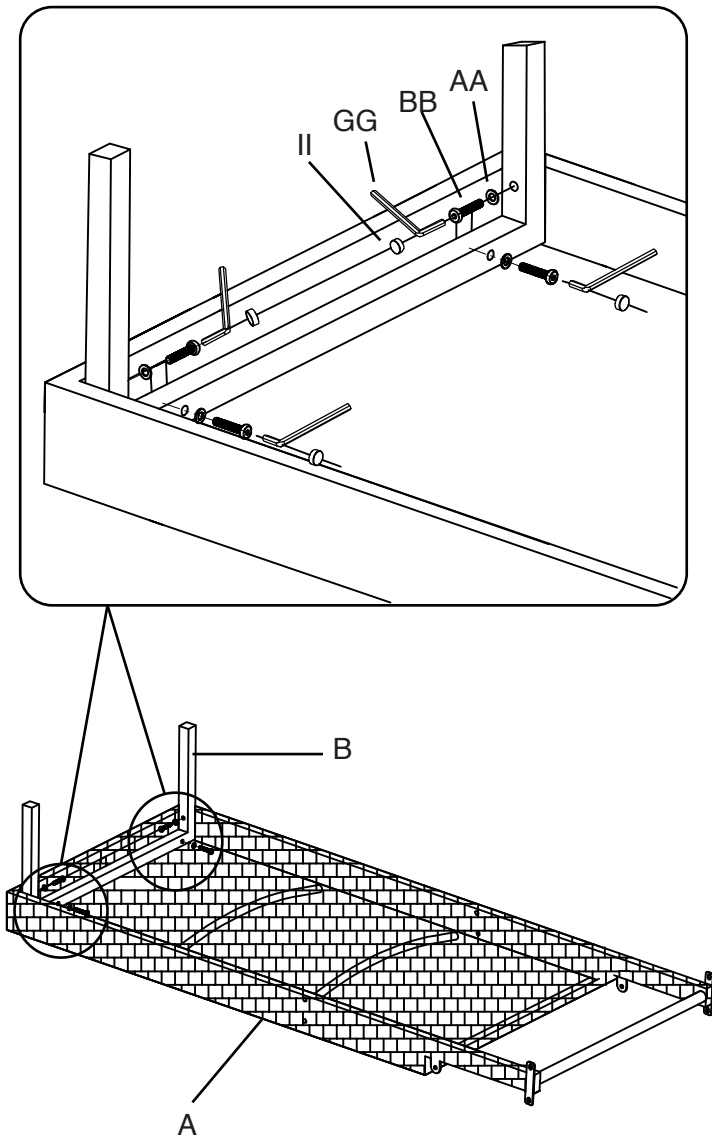
\_\_\_\_\_ **F**

Part	Description	Quantity
A	Seat Frame	1
B	Front Leg	1
C	Left Armrest (when seated)	1
D	Right Armrest (when seated)	1
E	Adjustable Back Frame	1
F	Cushion	1

# Assembly

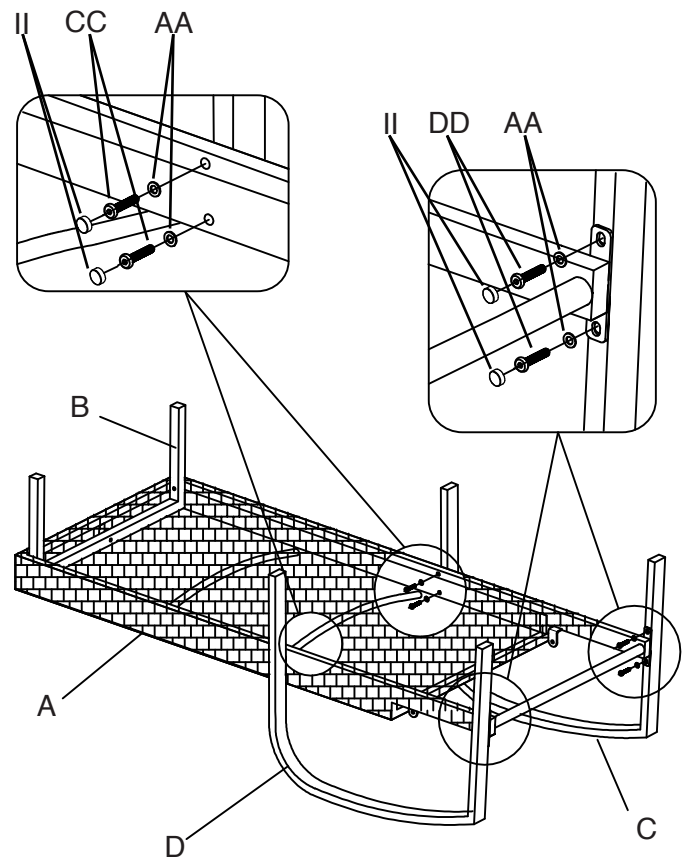
## 1 Attaching the front leg to the seat frame

- Place the seat frame (A) upside down on a blanket, towel, or other soft surface, so the pre-drilled holes are visible. Attach the front leg (B) to the seat frame (A) by using bolts (BB) with metal washers (AA) through the pre-drilled holes.
- Tighten all bolts carefully with Allen wrench (GG) and cover them with plastic bolt caps (II).



## 2 Attaching the armrests to the seat frame

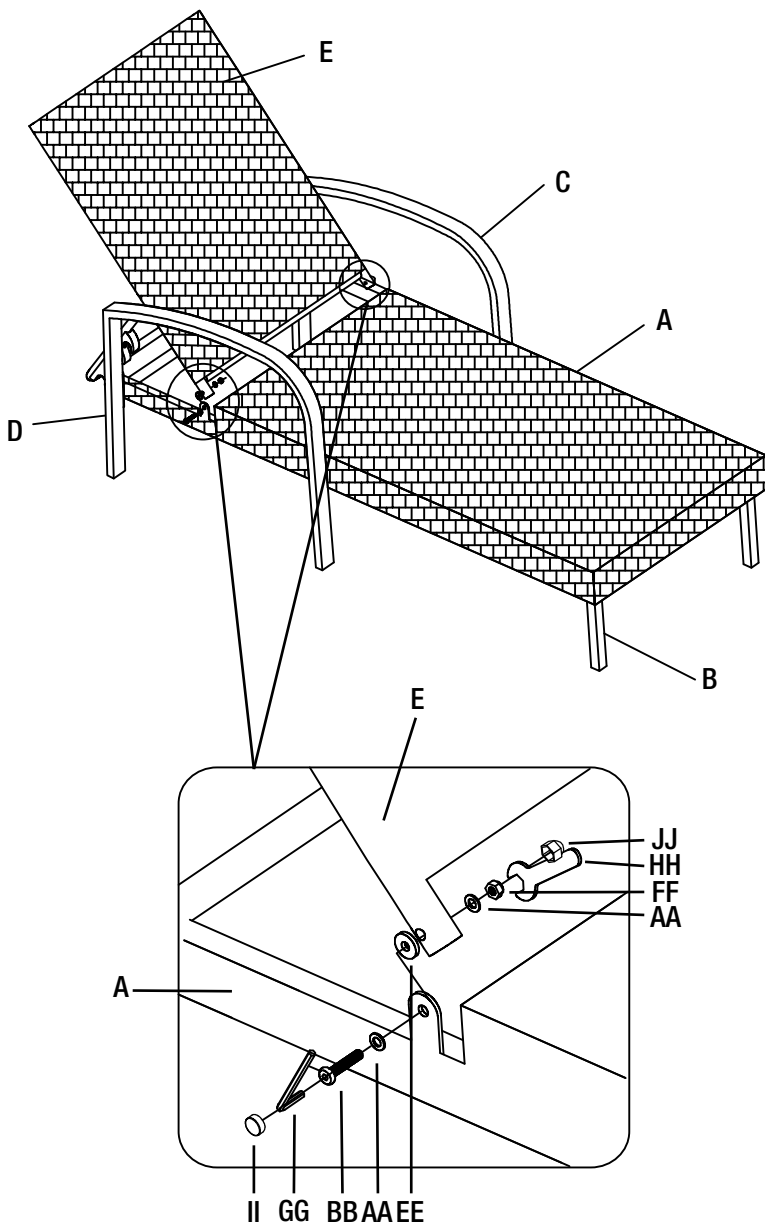
- Attach the right armrest (D) to the seat frame (A) using bolts (CC and DD) with washers (AA) as shown.
- Repeat for the left armrest (C).
- Tighten all bolts carefully with the Allen wrench (GG) and cover them with plastic bolt caps (II).



## Assembly (continued)

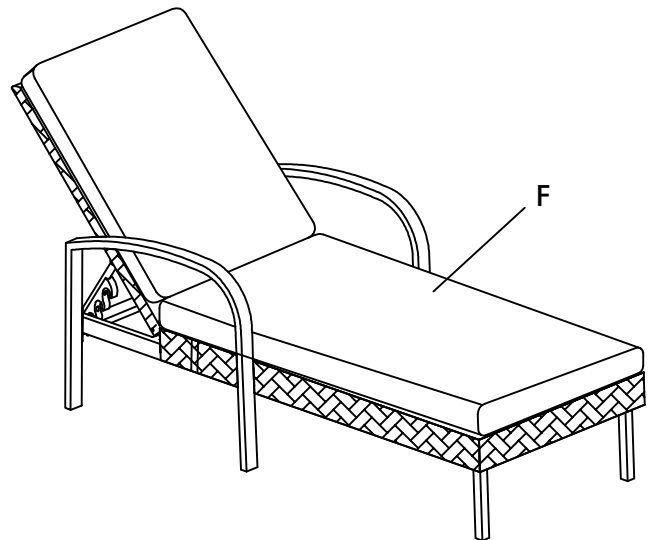
### 3 Attaching the adjustable back frame to the seat

- Turn over the assembled chair frame and attach the back frame (E) to the seat frame (A) in the following order: bolts (BB); metal washers (AA); back frame (E); plastic washers (EE); seat frame (A); metal washer (AA); nuts (FF).
- Tighten all bolts and nuts carefully with the allen wrench (GG) and hex wrench (HH). Cover the bolts and nuts with plastic bolt caps (II) and nut caps (JJ).



### 4 Placing the cushion

- Place the cushion (F) on the chaise and attach with the velcro ties. Your chaise is now ready for use, so relax & enjoy!





Questions, problems, missing parts? Before returning to the store,  
call Hampton Bay Customer Service  
8:00 a.m. - 7:00 p.m., EST, Monday-Friday  
9:00 a.m. - 6:00 p.m., EST, Saturday

1-855-HD-HAMPTON

HAMPTONBAY.COM

Retain this manual for future use.