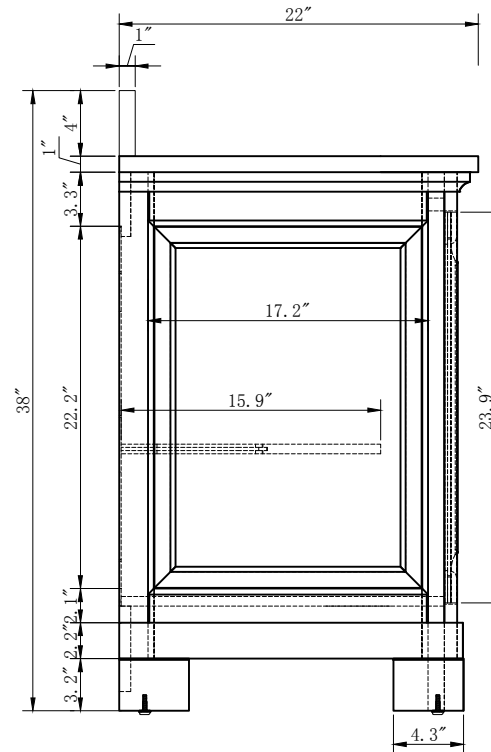
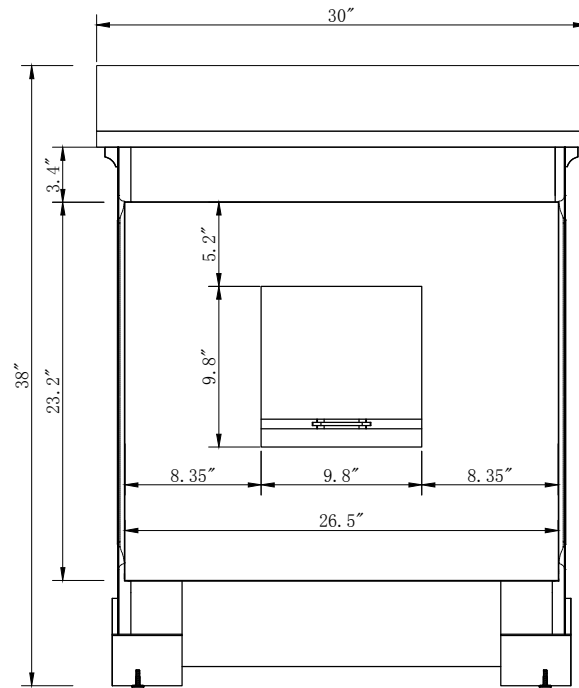
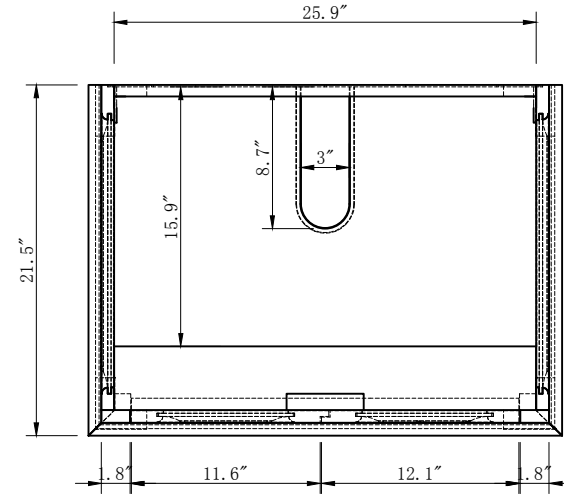
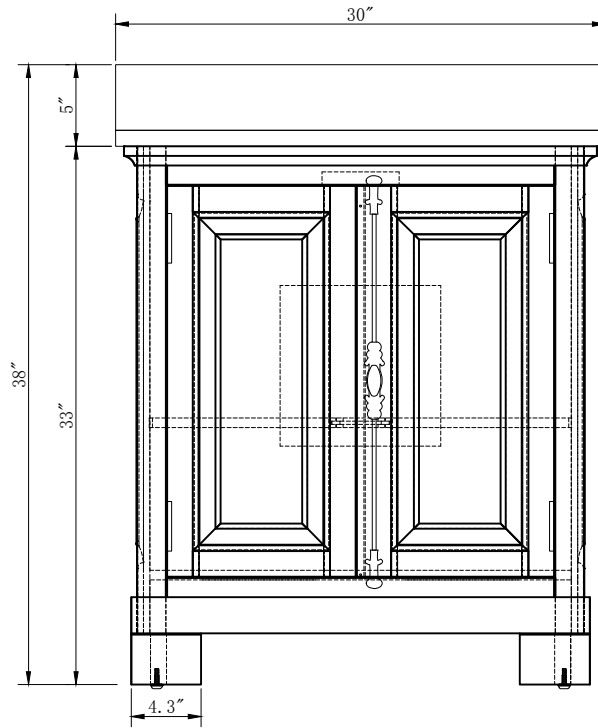


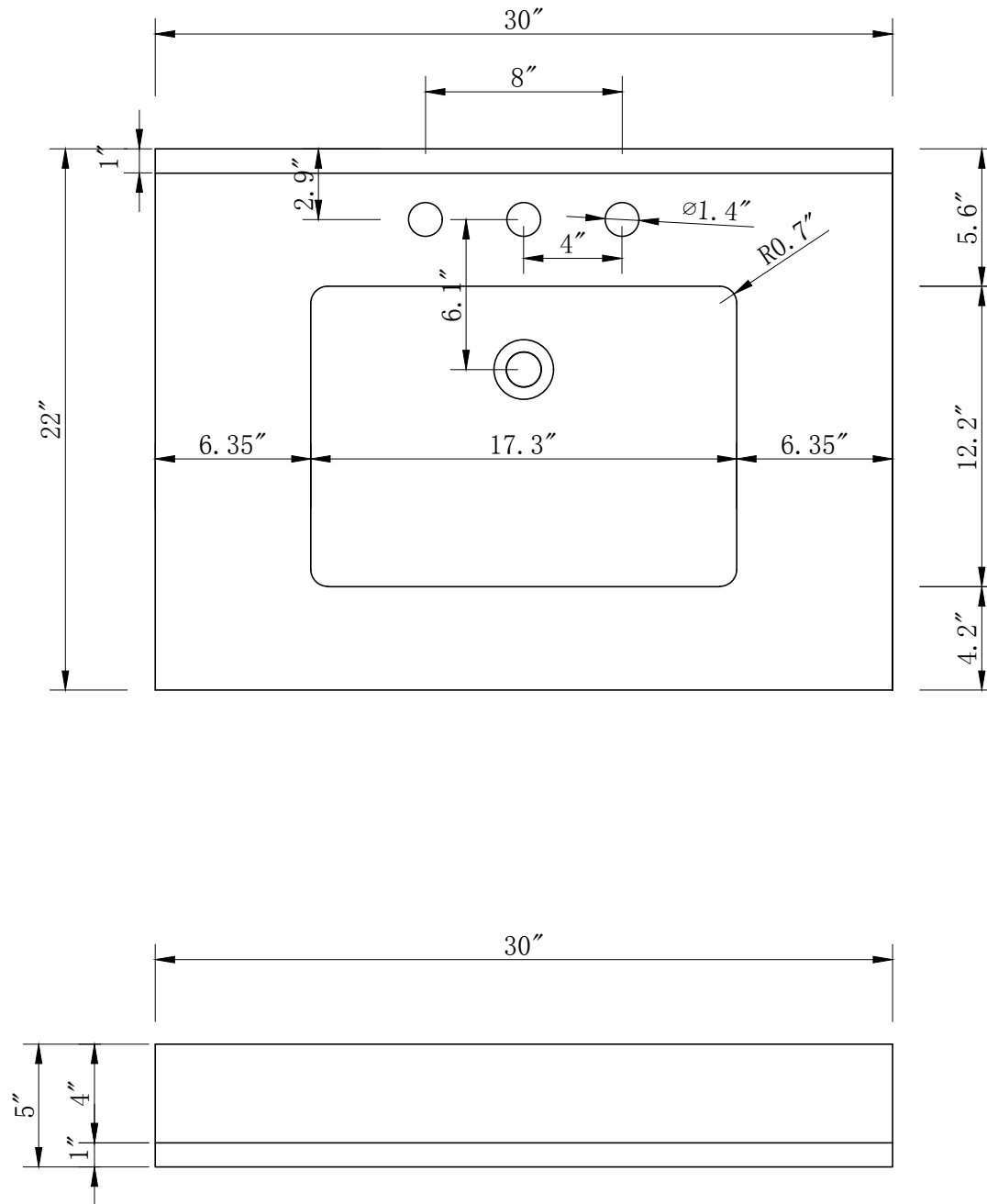


MODEL: GREENWICH30



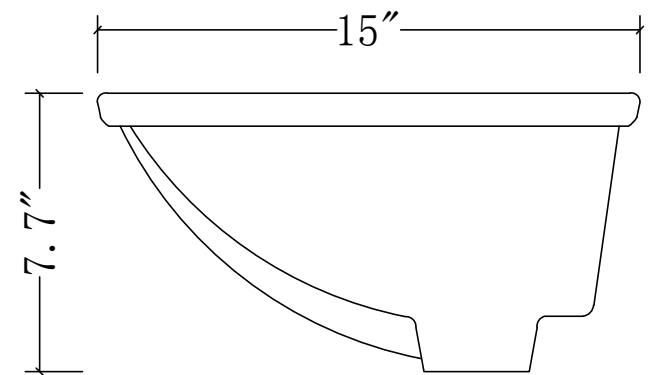
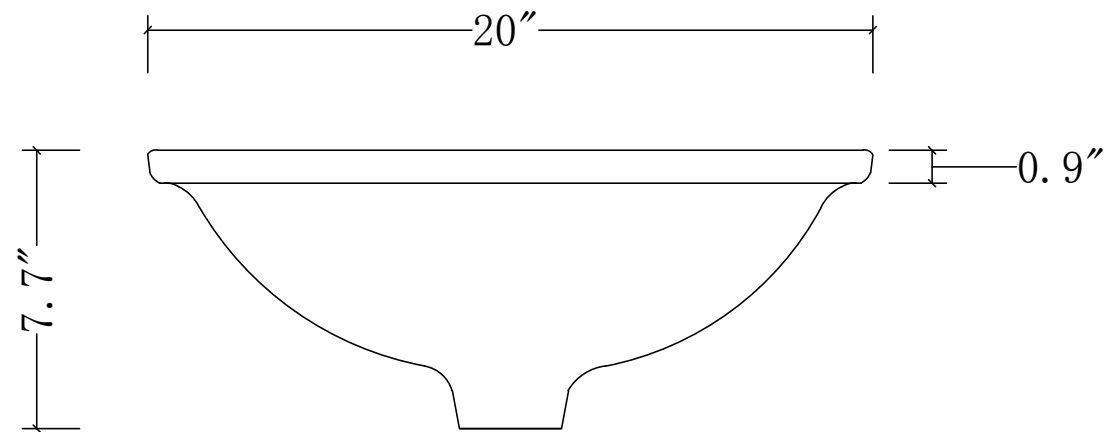
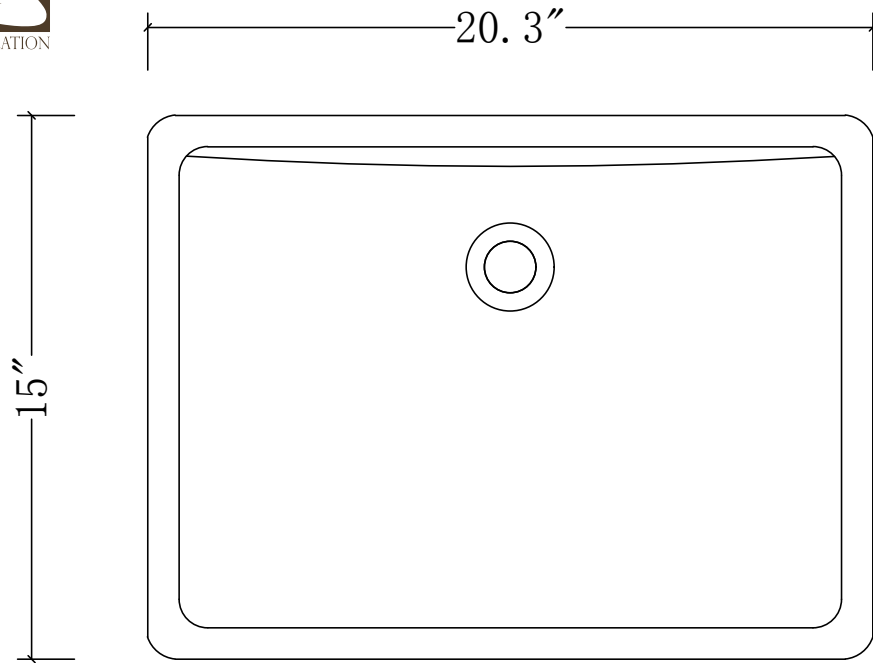


MODEL: GREENWICH30





MODEL: GREENWICH30





MODEL: BVL-M-2433

