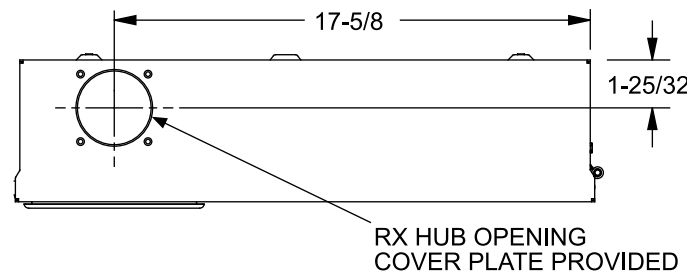


# Catalog Number: MC4040S1200SC

## Features and Ratings

- Outdoor Enclosure (NEMA Type 3R)
- Ring Type Meter Cover
- 200A Max, 1 Phase, 3 Wire, 120/240V~, 120/208V~
- 22,000 AIC Max. Rated (See Wiring Diagram for Details)
- Meter Socket Rating: 200A Continuous
- (40) 1" Spaces, (40) Circuits Max.
- Overhead or Underground Service Entrance
- Surface Mounting
- For Photovoltaic or Alternate Energy applications (Use breaker types QP, QPH, MP-T, 60A Max.)
- Complies with EUSERC Dwg. No. 301

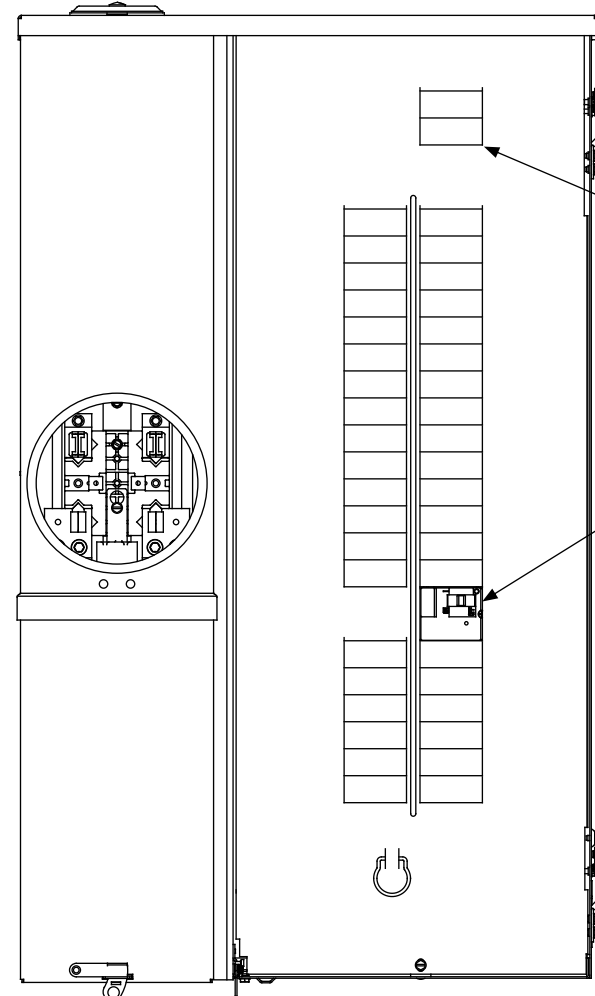


## Accessories, Torques & Wire Sizes

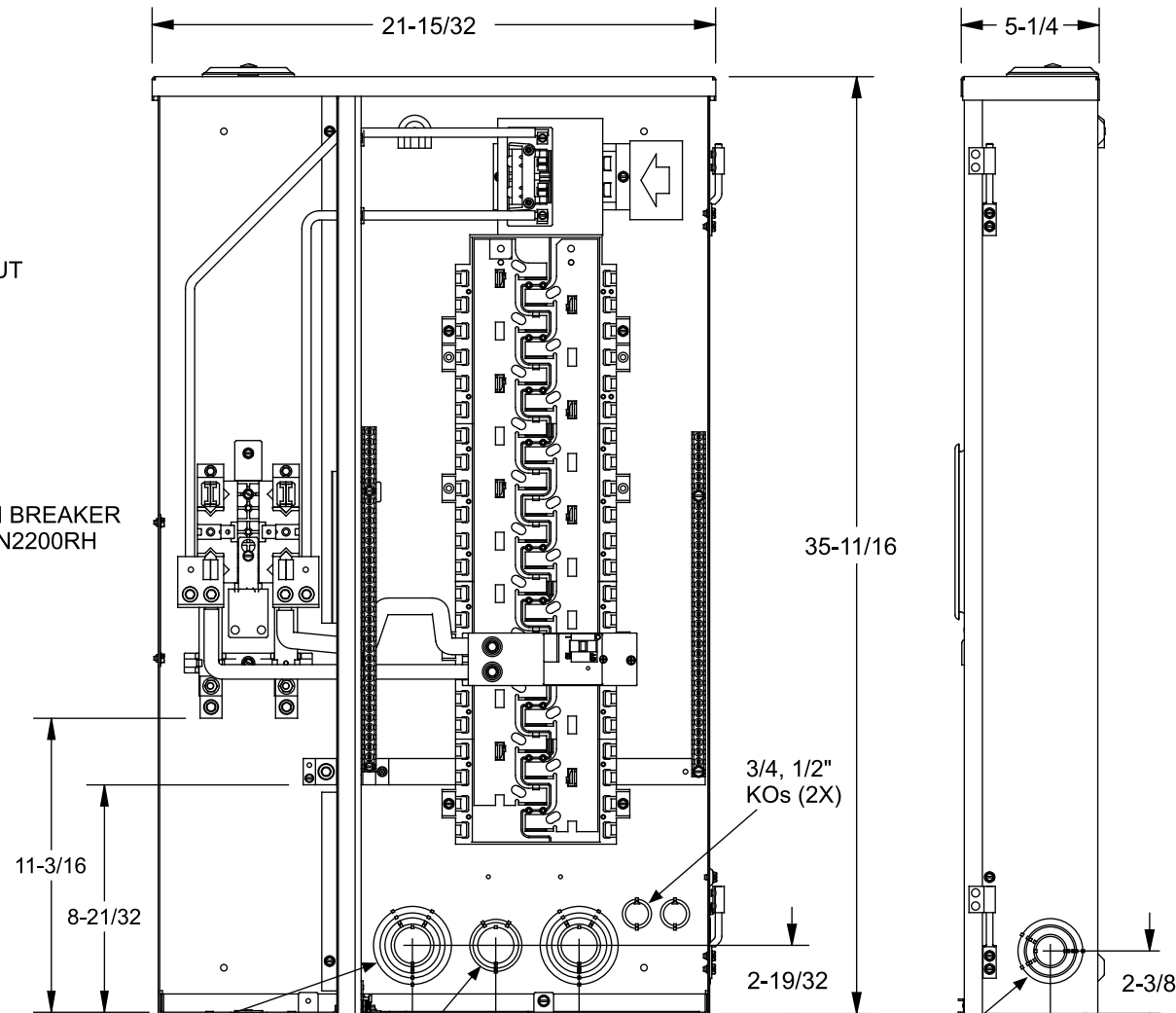
Trade size (in)	Catalog number
<i>RX Type Hub (top endwall)</i>	
1 1/4"	EC38597
1 1/2"	EC38598
2"	EC38599
2 1/2"	EC38600
RX Cover Plate	EC38595
<i>HC Type Hub (bottom endwall)</i>	
2"	ECHC200
2 1/2"	ECHC250
3"	ECHC300

- Filler Plate - ECQF3
- 5" Jaw Assembly - EMC5J
- Flush Rail Kit - FRK1
- Interlock Kit - ECSBPK05, ECSBPK07
- Ground Bars - ECGB5, ECGB10, ECGB101

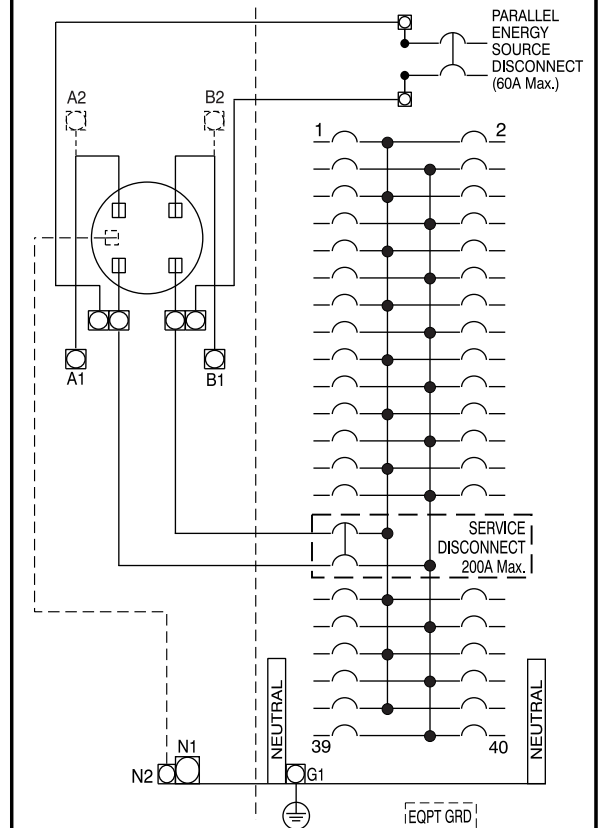
Lug Kits:	Wire Range	Torque
ECLK1-2	2/0 - #2	45 lb in
ECLK2	2/0 - #4	135 lb in
ECLK3	300kcmil - #1	340 lb in



View Shown Without Covers, Door, Deadfront

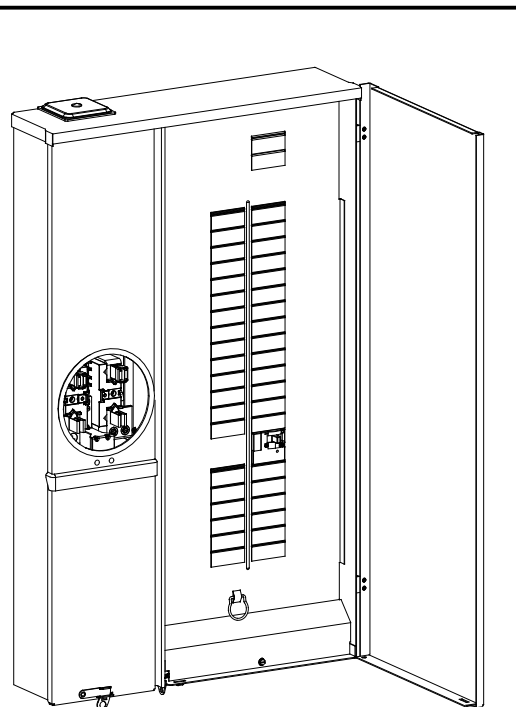


## Schematic

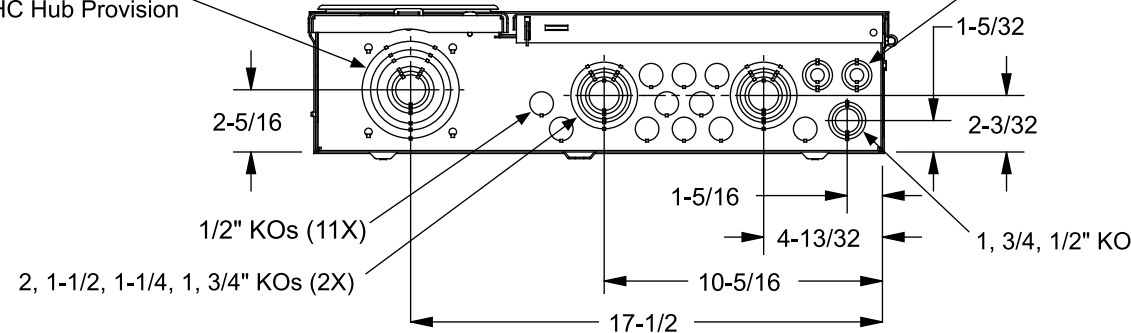


Any 80-125 Amp circuit breaker must be installed in the lowest position in the branch panel. All other positions are limited to 70 Amp maximum circuit breakers.

Terminal	Wire Size	Torque
A1, B1, A2, B2	250kcmil - #4	250 lb-in
N1	250kcmil - #6	275 lb. in.
N2	#2 - #14	50 lb-in
G1	1/0 - #14	120 lb-in
Branch Breaker Terminals	See Markings on Breaker	
Neutral Bar	#10 - #14 CU	20 lb-in
	#10 - #12 AL	20 lb-in
	#8	25 lb-in
Ground Conductors Only	#6 - #4	35 lb-in
	(2) or (3) #14 AWG	20 lb-in
	(2) #12-#10 AWG	20 lb-in



3, 2-1/2, 2, 1-1/2, 1-1/4, 1, 3/4" KO with HC Hub Provision



© 2011 Copyright Siemens Industry, Inc.

**SIEMENS**  
Siemens Industry, Inc.

## SolarReady™ Meter Combination

Description:  
**200A, 40 Sp/40 Ckt, OH/UG, Surface Mount**

KAM 8/16/11 | Farm K | DO NOT SCALE DRAWING | Dwg. No. **MC4040S1200SC**