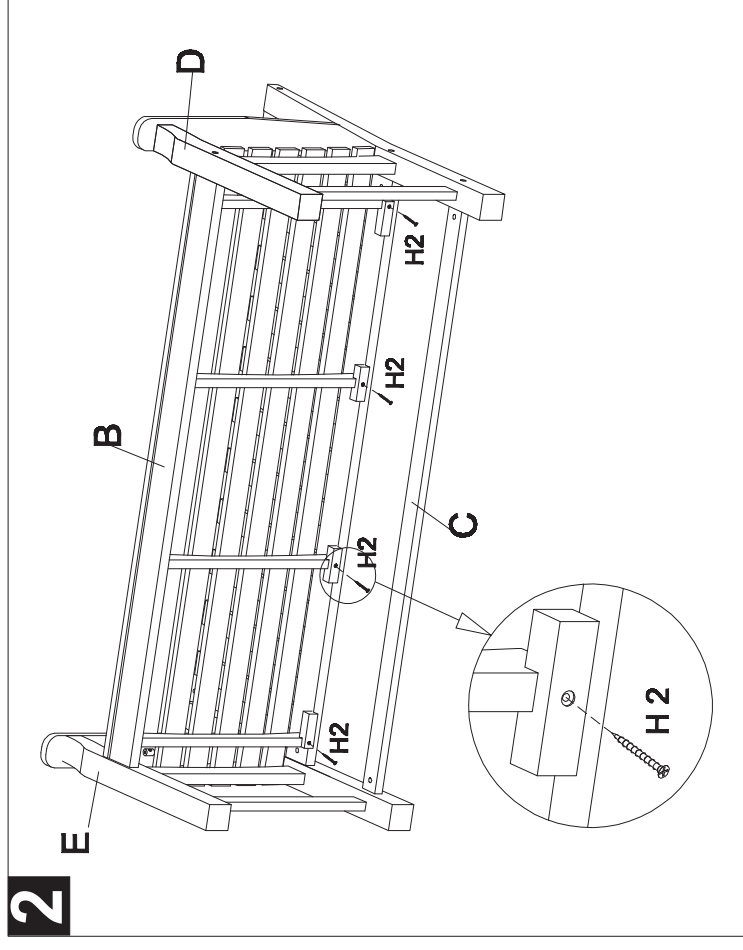
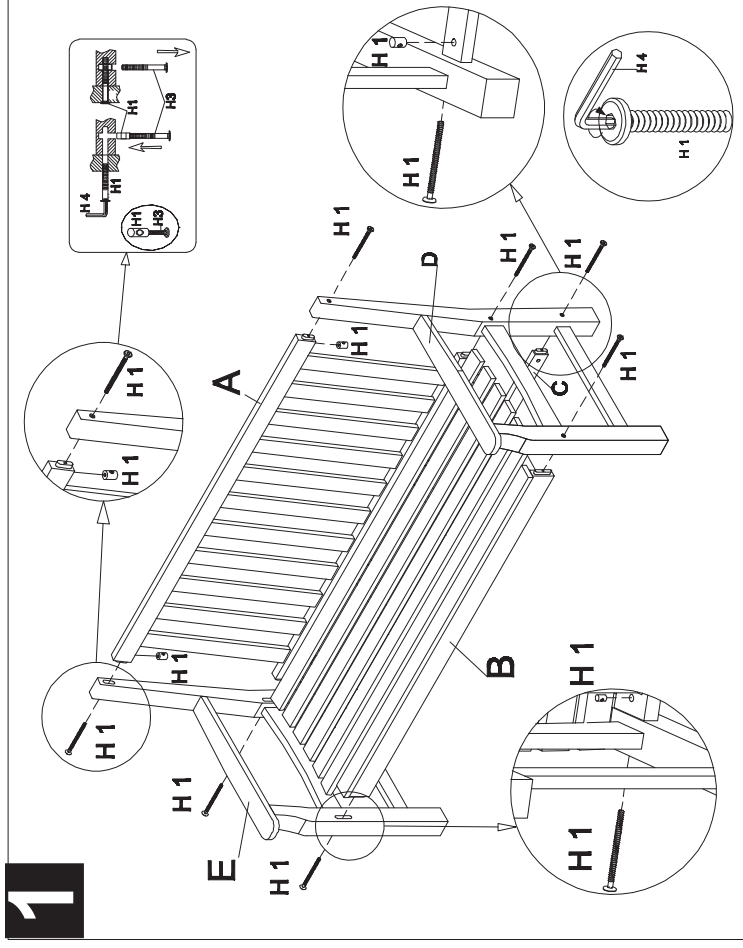


PREPARATION

Before beginning the assembly of the product, make sure all parts are present. Compare the parts with the package contents list and hardware contents list. If any parts are missing or damaged, do not attempt to assemble the product. Tool required for assembly (included): Allen Key.

NOTICE



Step 1: attach the back (A) and the seat (B) to the left side (D) and right side (E) with the support (C) as shown on the picture. Use the allen bolt (H1) to attach it together by using the Allen Key (H4).




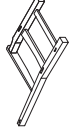

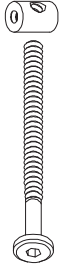



Step 2: Use the screws (H2) to fit the seat (B) as shown on the picture by using the screw driver.

CARE AND MAINTENANCE

Store outdoor furniture indoors or cover well when it is not in use. Dust regularly with small brush or vacuum. Spills should be taken care of immediately before they harden or stain with a slightly dampened sponge.

Please make sure that you have all parts indicated before you begin assembly of this item.

Part List and Hardware List

PIECE	DESCRIPTION	PICTURE	QUANTITY
A	Back		1 X
B	Seat		1 X
C	Support		1 X
D	Left side		1 X
E	Right side		1 X
H1	Allen bolt		8 X
H2	Screw		4 X
H3	Extra bolt		1 X
H4	Allen Key		1 X

SAFAVIEH OUTDOOR LIVING

MODEL# PAT6703

Product Dimension: 60"W x 25"D x 39"H

