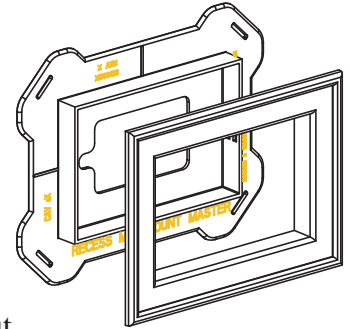


RECESSED MINI

The Recessed Mini is used for mounting short wire connections, flush mounted outlets, hose bibs and other exterior fixtures. The exclusive lock on trim ring speeds installation on any surface: wood, vinyl, aluminum, stucco or hardwood.

FEATURES:

- Mounts flush on exterior surface
- Easy to install on all types of exteriors
- Single unit body construction of Mount and Ring.
- J-Channel eliminated
- Finish trim ring adjusts for a range of siding thicknesses
- Receptacle cut-out provided $1\frac{7}{8} \times 3$.
- Pattern provided on back of part for $2\frac{7}{8} \times 4\frac{5}{8}$ rectangular cutout
- Paintable version available



SPECIFICATIONS:

Material:	Base: UV stabilized copolymer; color molded in; .085" nominal wall Ring: UV stabilized copolymer; color molded in; .085" nominal wall
Fabrication:	Two piece molded assembly Trim ring single piece molded unit
Attachment:	Screw or nail directly to any surface.
Packaging:	10 pack
Dimensions:	See drawing below (all dimensions in inches)
Patent No:	5326060

