

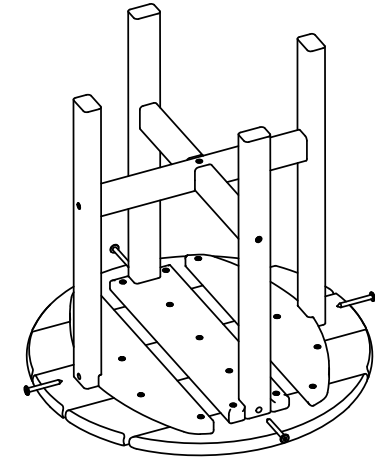
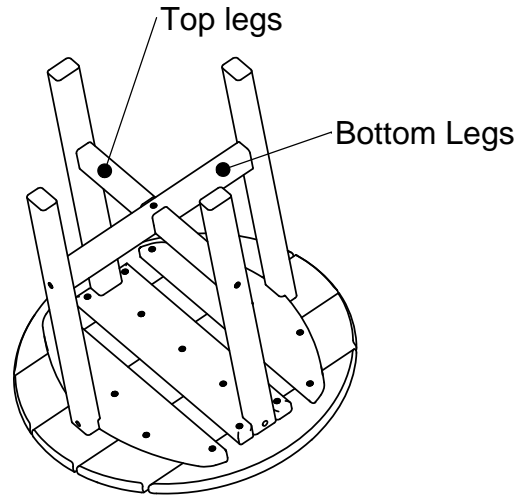
Trex® Outdoor Furniture™

Assembly Instructions Model: TXRST18

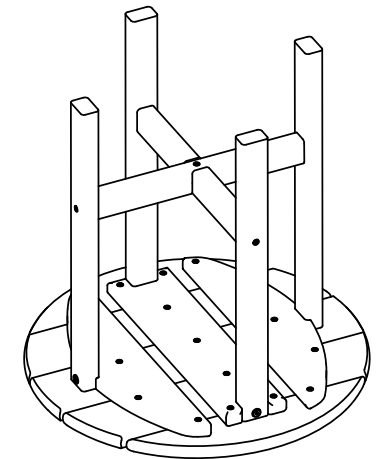
Step 1
Place the leg assemblies together on the table top.

Step 2
Attach the legs using (4) 2" screws in pre-drilled holes.

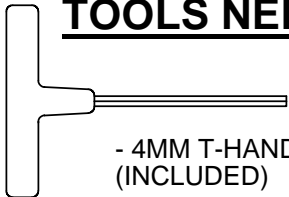
- (1) Bottom leg assembly
- (1) Top leg assembly
- (1) Table top




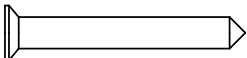
Step 3
Connect the braces using (1) 1 ¼ screw.



TOOLS NEEDED



- 4MM T-HANDLE HEX KEY (INCLUDED)
- PHILLIPS SCREW DRIVER

Qty.	Description
4	A - .27 X 2 SOCKET WAFER "A" 
1	B - 8 X 1-1/4 PHIL FLAT SCREW 

ALL HARDWARE IS COATED STAINLESS STEEL UNLESS OTHERWISE SPECIFIED

9/27/2012